



US00D677555S

(12) **United States Design Patent**
Cenzano et al.

(10) **Patent No.:** **US D677,555 S**
(45) **Date of Patent:** **** Mar. 12, 2013**

(54) **LOCK FOR CLOSABLE BOX**

(75) Inventors: **Lauren Cenzano**, East Northport, NY (US); **Doug Mudd**, O'Fallon, MO (US)

(73) Assignee: **Esselte Corporation**, Melville, NY (US)

(**) Term: **14 Years**

(21) Appl. No.: **29/429,231**

(22) Filed: **Aug. 8, 2012**

D499,883	S	*	12/2004	Perella et al.	D3/276
D500,922	S	*	1/2005	Perella et al.	D3/273
D501,083	S		1/2005	Perella et al.		
D503,024	S		3/2005	Perella et al.		
D503,503	S	*	3/2005	Perella et al.	D99/28
D504,990	S		5/2005	Perella et al.		
D506,061	S		6/2005	McGibben		
D509,357	S		9/2005	Perella et al.		
D511,035	S		10/2005	Perella et al.		
D565,930	S	*	4/2008	Peng	D8/331
D584,511	S		1/2009	Decarlo et al.		
D621,685	S	*	8/2010	Sarnowski	D8/331
7,774,961	B2		8/2010	Bopp		
2005/0183478	A1	*	8/2005	Straka	70/208

* cited by examiner

Related U.S. Application Data

(60) Division of application No. 29/398,380, filed on Jul. 29, 2011, now Pat. No. Des. 668,051, which is a continuation-in-part of application No. 29/384,490, filed on Jan. 31, 2011, now Pat. No. Des. 668,047.

(51) **LOC (9) Cl.** **08-07**

(52) **U.S. Cl.** **D8/331; D3/318**

(58) **Field of Classification Search** D3/272, D3/273, 292, 294-297, 900, 276, 318, 321, D3/323, 322; 190/19, 23, 37, 40, 900, 39; D99/28; 70/158-162, 63-76, 207-223; D8/330, D8/331, 333, 336, 338, 343-345
See application file for complete search history.

Primary Examiner — Jennifer Rivard

(74) *Attorney, Agent, or Firm* — Dorsey & Whitney LLP

(57) **CLAIM**

The ornamental design for a lock for closable box, as shown and described.

DESCRIPTION

FIG. 1 is a perspective view of an exemplary embodiment of a lock for closable box;

FIG. 2 is a front view of the lock for closable box shown in FIG. 1;

FIG. 3 is a back view of the lock for closable box shown in FIG. 1;

FIG. 4 is a left side view of the lock for closable box shown in FIG. 1;

FIG. 5 is a right view of the lock for closable box shown in FIG. 1;

FIG. 6 is a top view of the lock for closable box shown in FIG. 1; and,

FIG. 7 is a bottom view of the lock for closable box shown in FIG. 1.

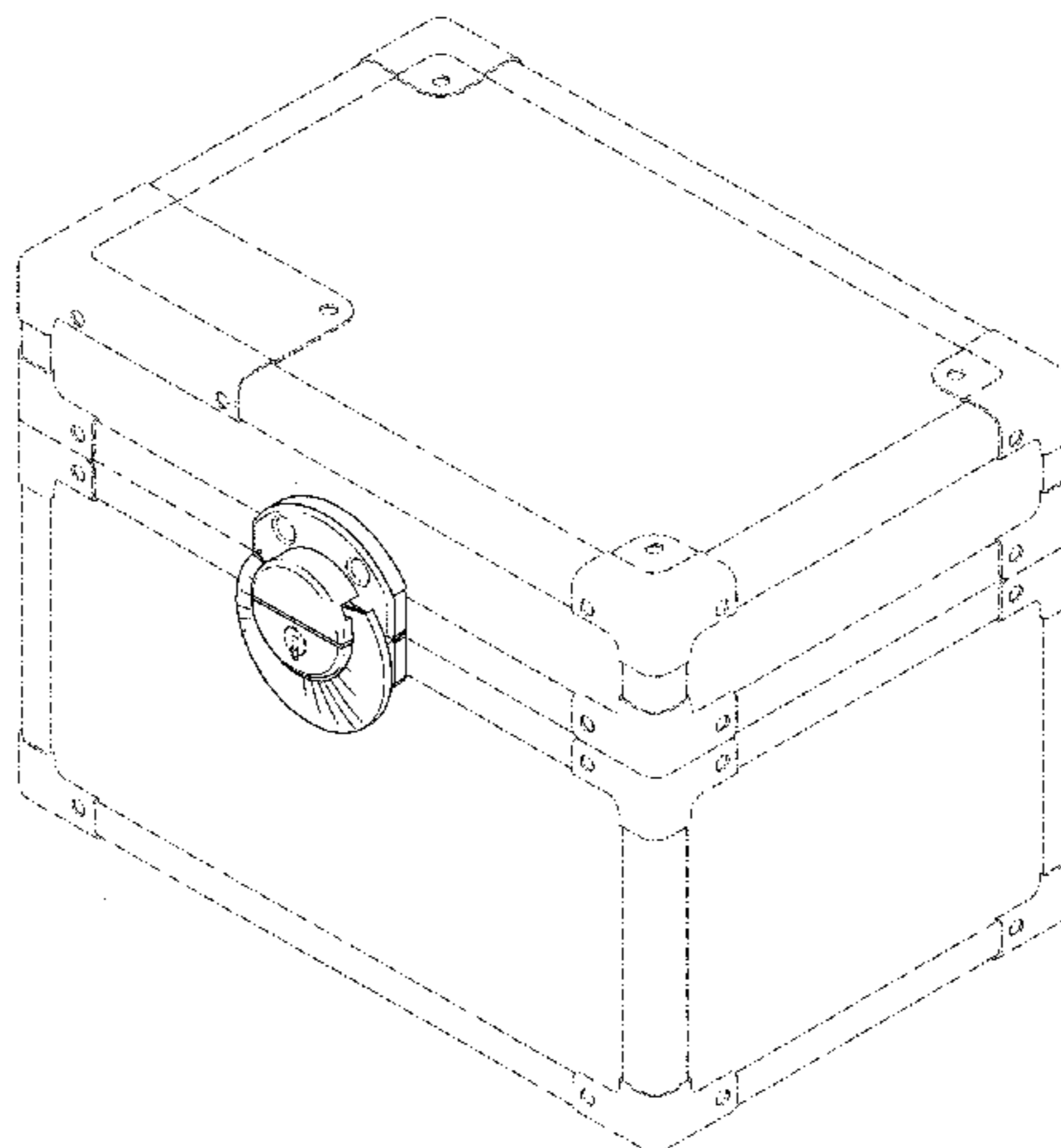
The phantom lines are provided for illustrative purposes only, and form no part of the claimed design.

(56) **References Cited**

U.S. PATENT DOCUMENTS

1,379,438	A	5/1921	Billings	
1,665,353	A	* 4/1928	Greenberg 190/39
3,191,765	A	6/1965	Dozier	
3,814,220	A	* 6/1974	Brody 190/19
D233,487	S	* 10/1974	Weir D3/290
D288,863	S	* 3/1987	Vuitton D3/289
D324,636	S	* 3/1992	Schlack et al. D8/331
D415,614	S	* 10/1999	Akaike et al. D3/276
D452,808	S	* 1/2002	Kyle D8/331
D489,959	S	* 5/2004	Jackson et al. D8/331
D490,206	S	5/2004	Perella et al.	
D493,936	S	* 8/2004	Perella et al. D99/28
D496,791	S	10/2004	Perella et al.	

1 Claim, 4 Drawing Sheets



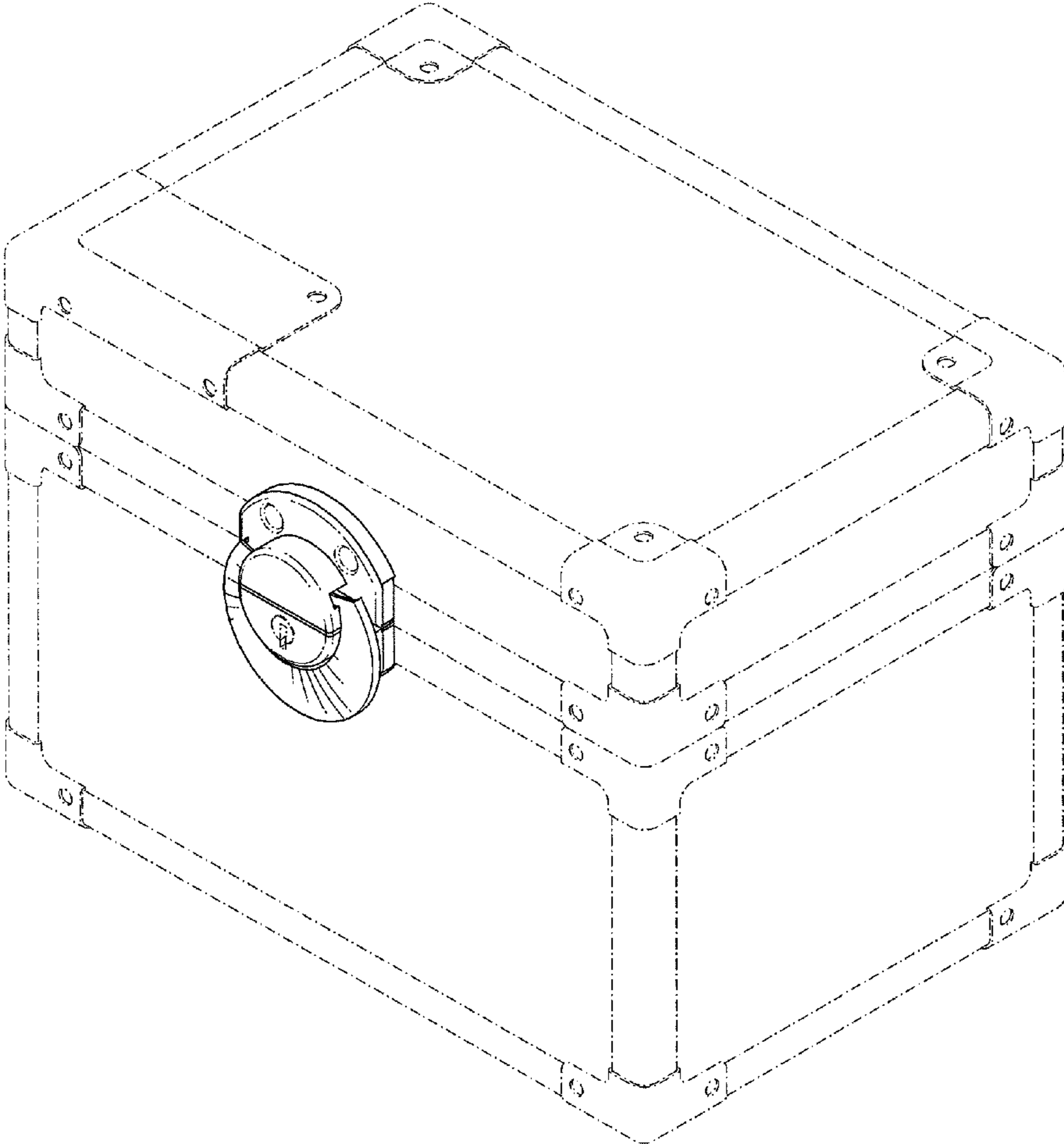


FIG. 1

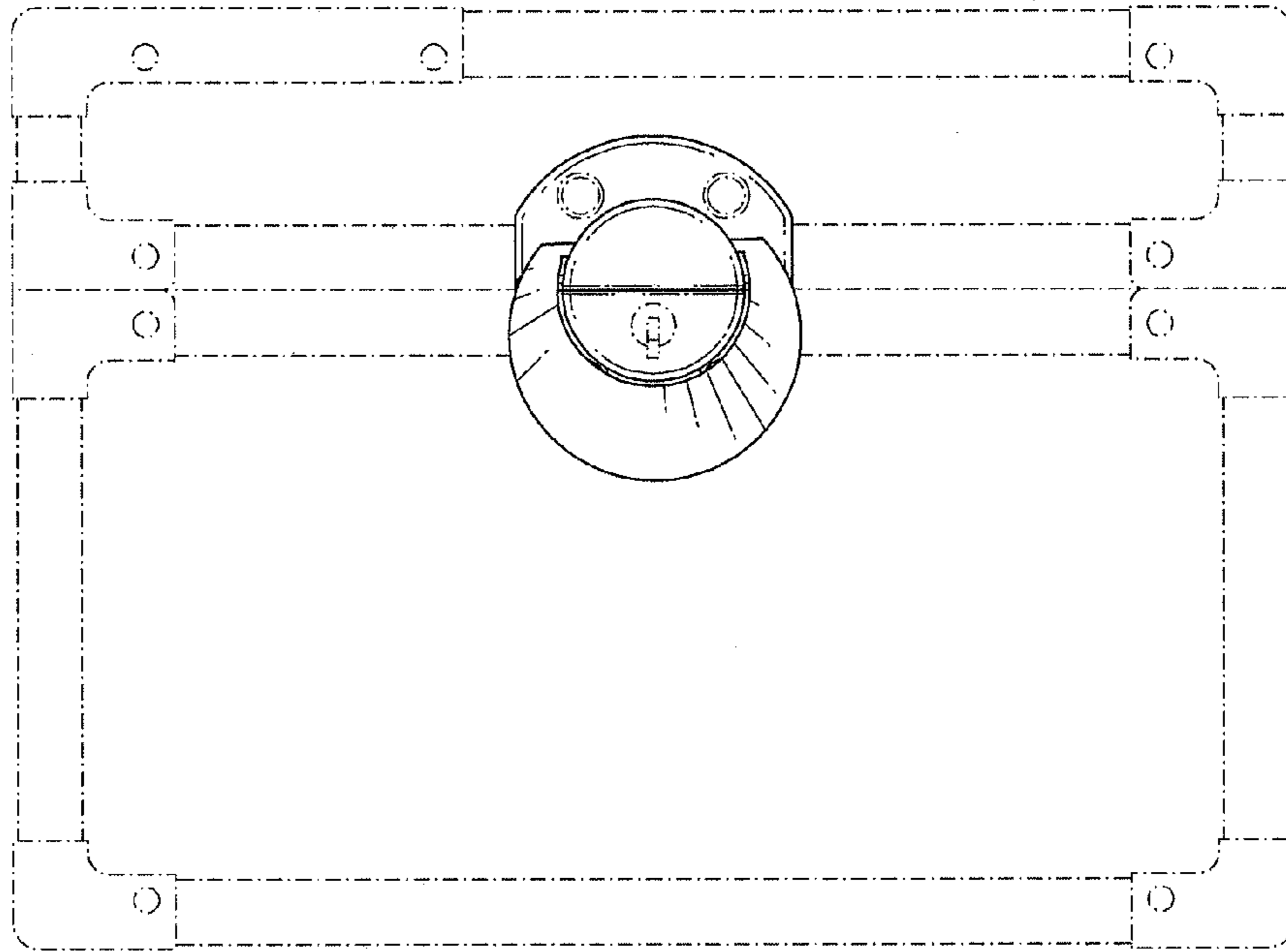


FIG. 2

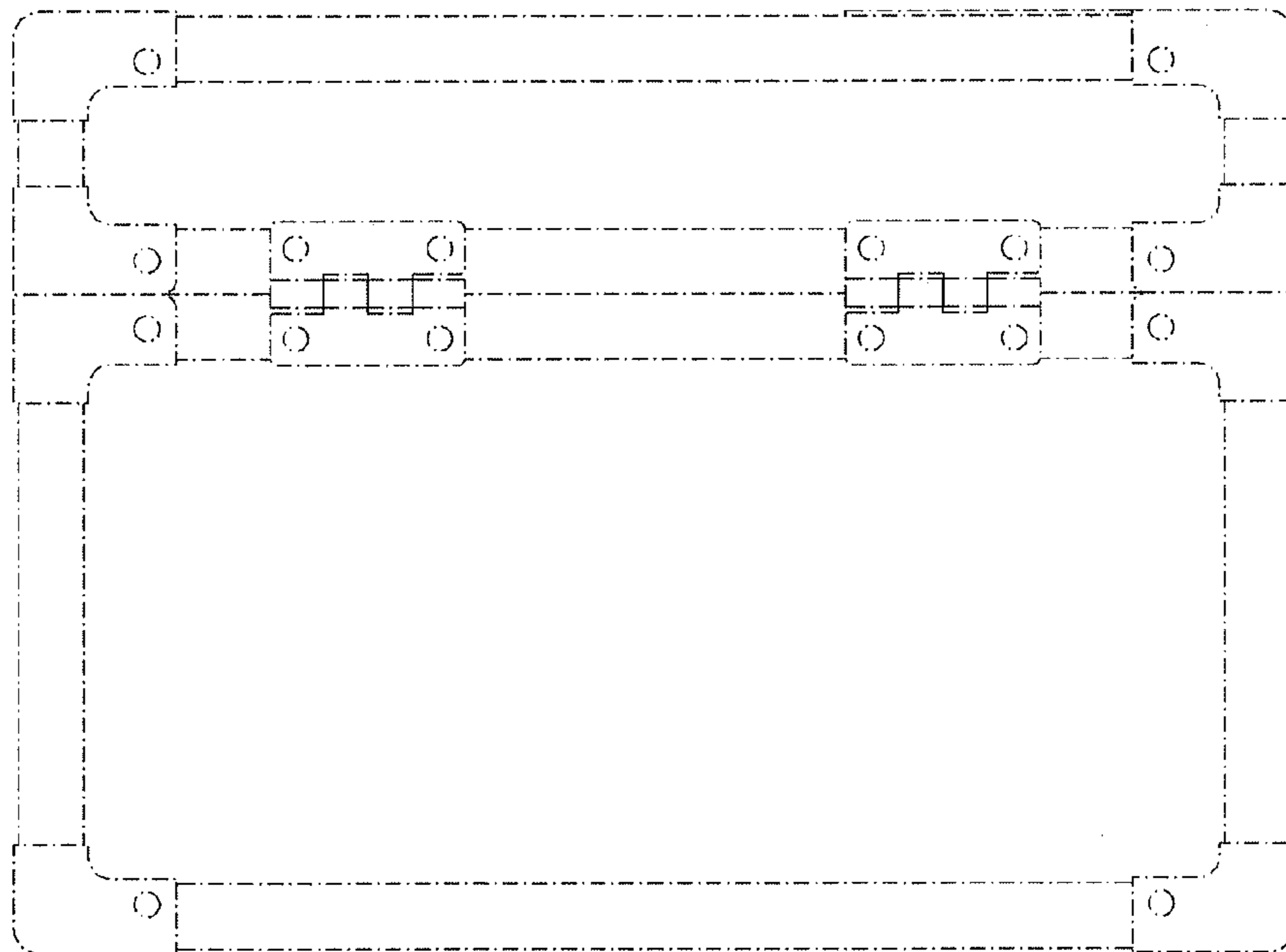


FIG. 3

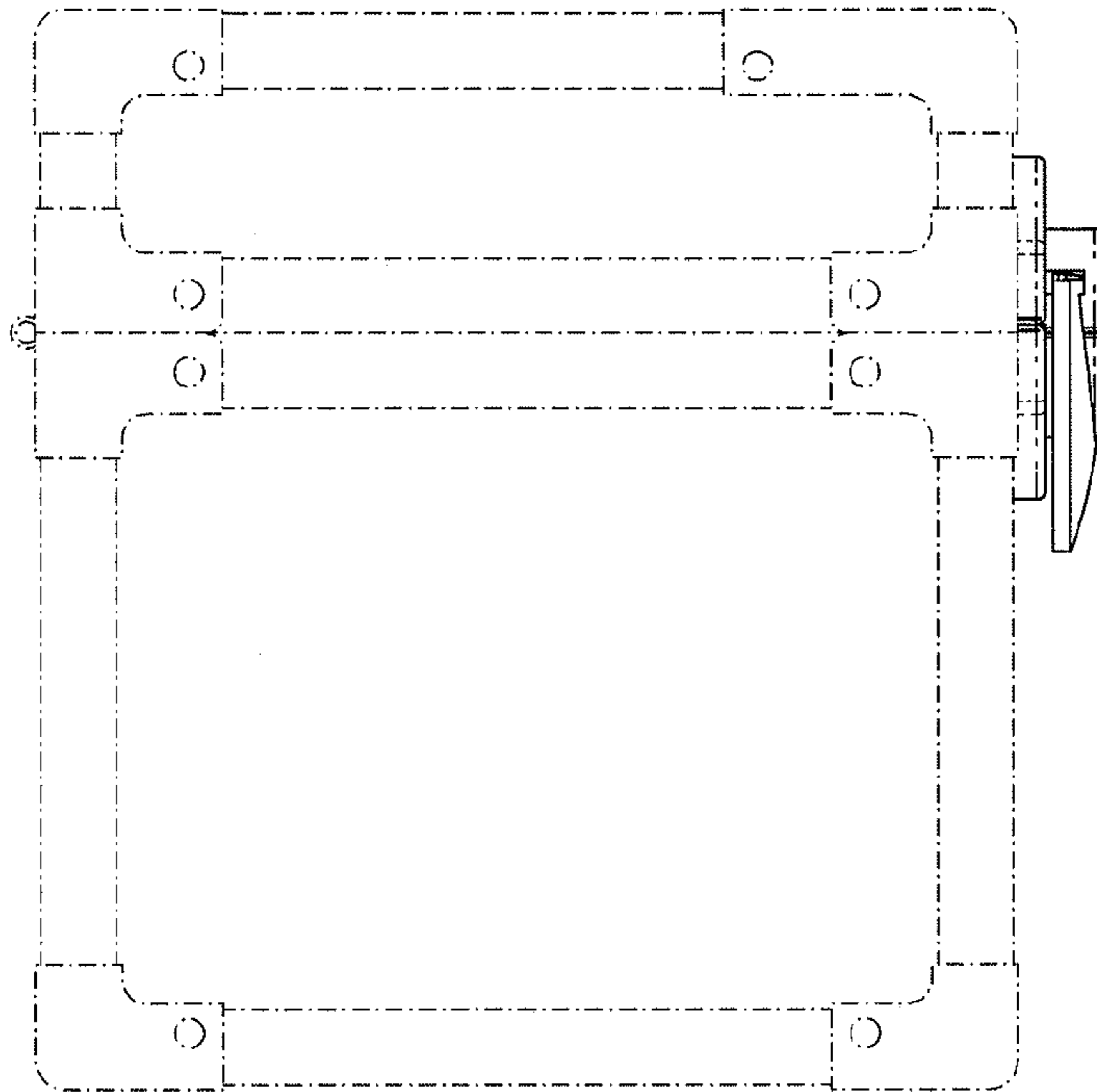


FIG. 4

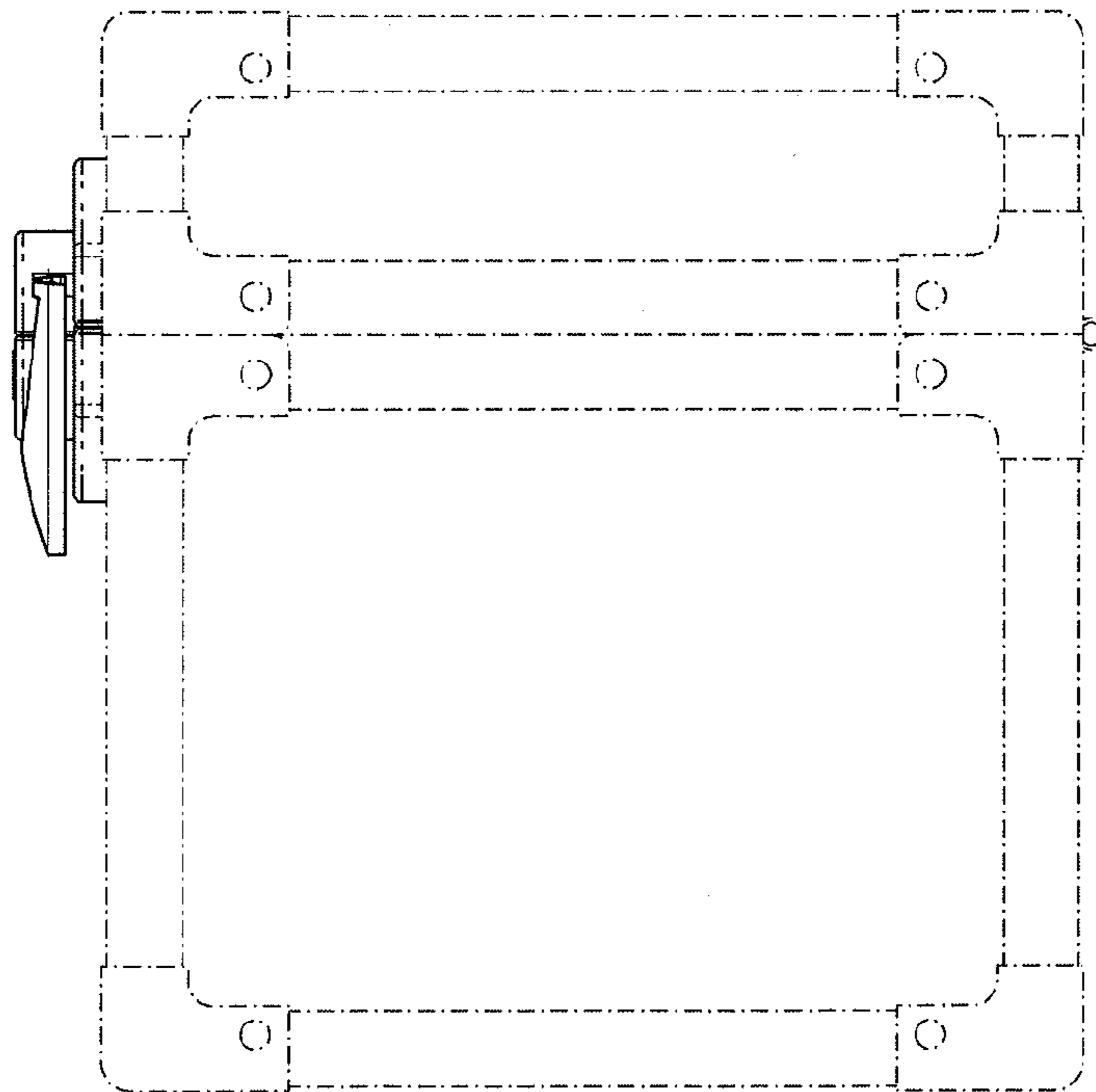


FIG. 5

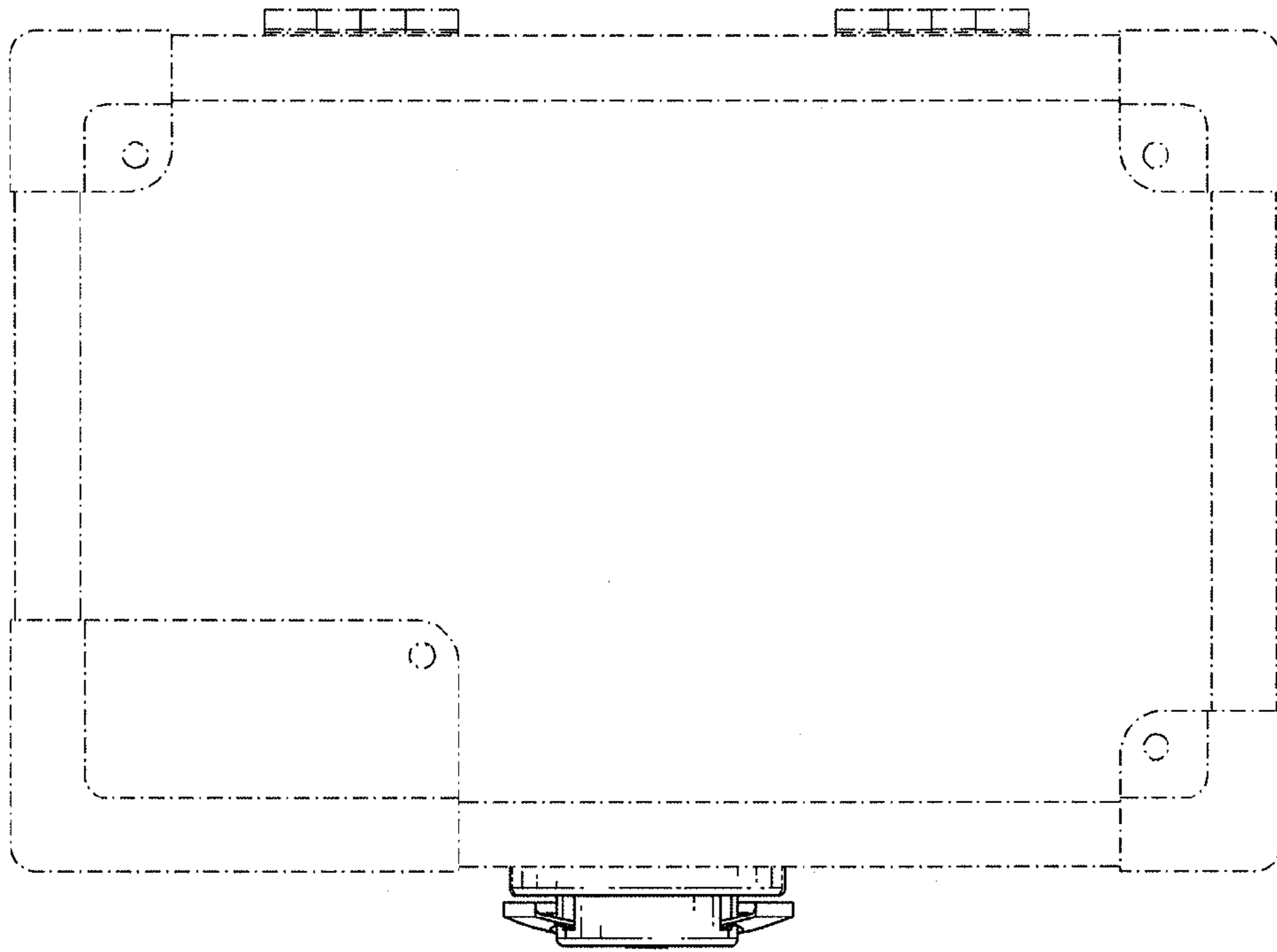


FIG. 6

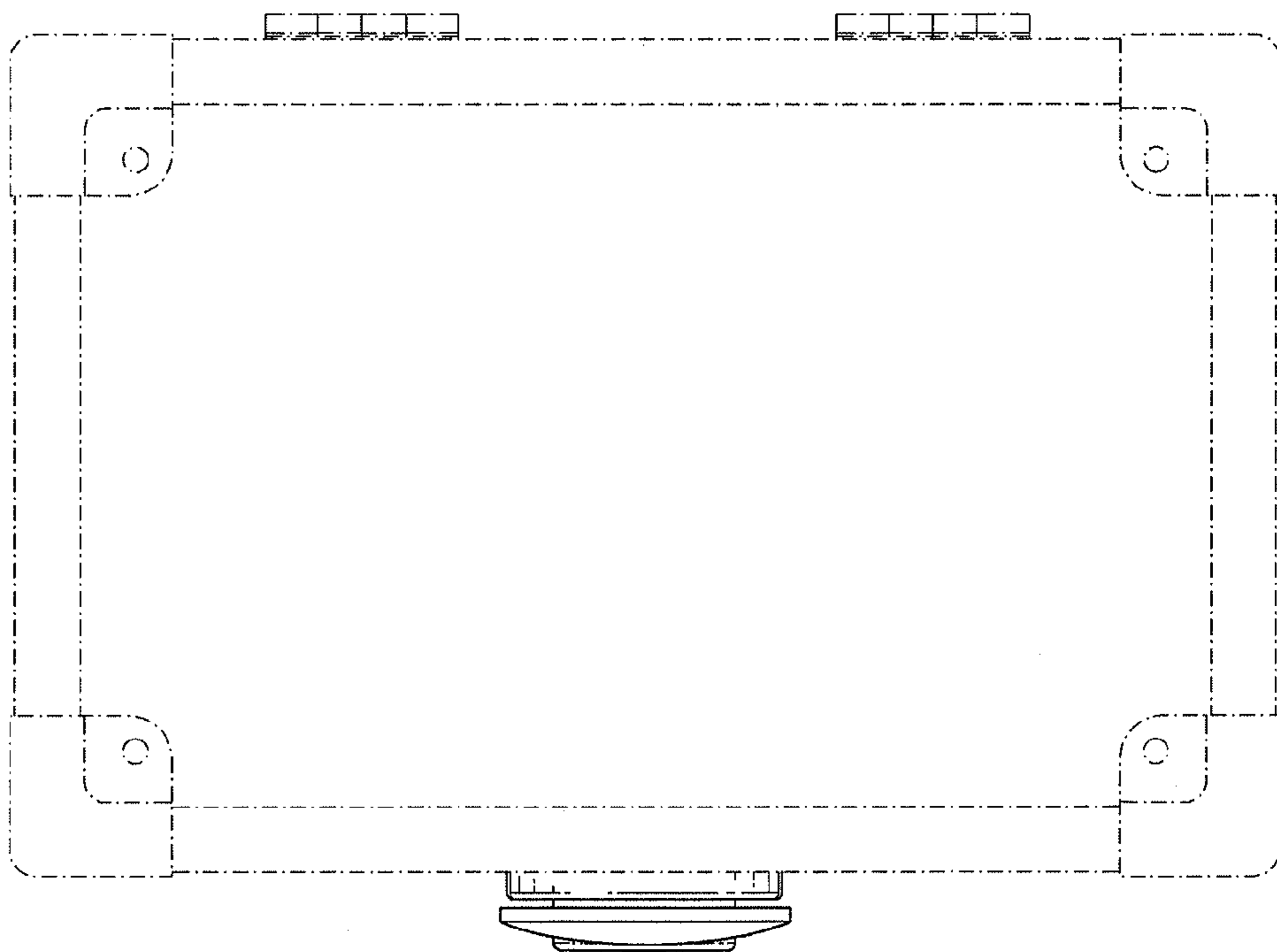


FIG. 7