



US00D677553S

(12) **United States Design Patent**
Shah et al.

(10) **Patent No.:** **US D677,553 S**

(45) **Date of Patent:** **** Mar. 12, 2013**

(54) **DOOR LATCH**

(75) Inventors: **Kirti Shah**, South Barrington, IL (US);
Darryl Devine, Huntley, IL (US)

(73) Assignee: **Architectural Builders Hardware**
Mfg., Inc., Itasca, IL (US)

(**) Term: **14 Years**

(21) Appl. No.: **29/405,611**

(22) Filed: **Nov. 3, 2011**

(51) **LOC (9) Cl.** **08-06**

(52) **U.S. Cl.** **D8/302**

(58) **Field of Classification Search** D8/300,
D8/302, 338, 343, 301, 306, 341; 70/208;
16/110.1; 292/336.3, 202

See application file for complete search history.

(56) **References Cited**

U.S. PATENT DOCUMENTS

D230,945 S	3/1974	Beckman	
4,343,501 A *	8/1982	Meeks	292/336.3
4,818,003 A	4/1989	Seko et al.	
5,011,202 A *	4/1991	Kato et al.	292/336.3
5,413,391 A *	5/1995	Clavin et al.	292/170
D419,053 S	1/2000	Schlack	
6,109,669 A	8/2000	Pinkow	
D465,142 S	11/2002	Weinerman et al.	
D465,399 S	11/2002	Weinerman et al.	
D502,380 S	3/2005	Misner et al.	

D505,310 S	5/2005	Lorusso	
D533,045 S	12/2006	Schroth	
D537,321 S	2/2007	Paige et al.	
D541,129 S	4/2007	Helton et al.	
D577,984 S	10/2008	Samhammer et al.	
D630,488 S *	1/2011	Tieu et al.	D8/302
D635,439 S *	4/2011	Barton	D8/331
D643,278 S *	8/2011	Fidali et al.	D8/343
D645,331 S *	9/2011	Lin	D8/301
D646,548 S	10/2011	Mussi et al.	
D646,549 S	10/2011	Mussi et al.	

* cited by examiner

Primary Examiner — Paula Greene

(74) *Attorney, Agent, or Firm* — Greer, Burns & Crain, Ltd.

(57) **CLAIM**

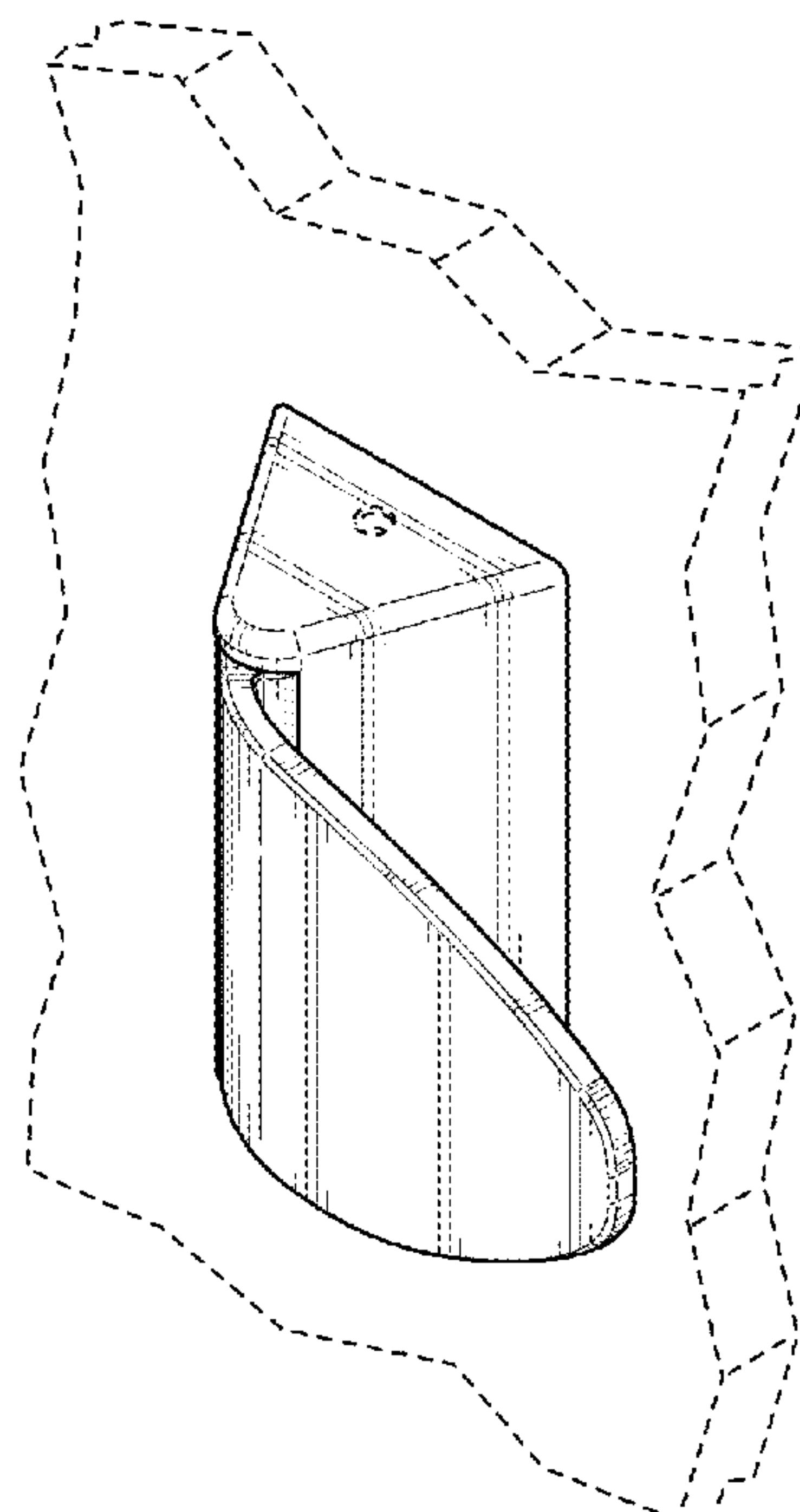
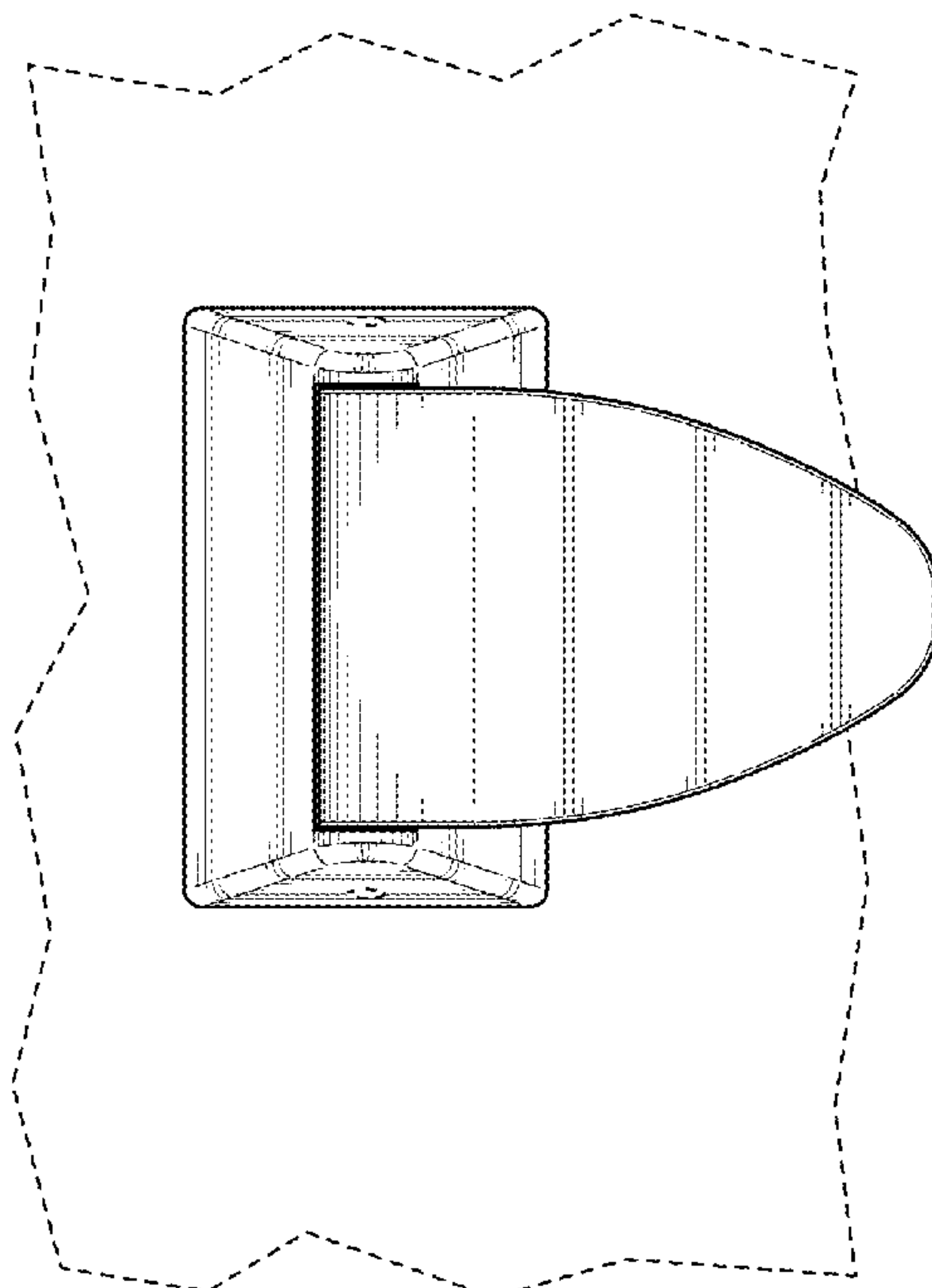
The ornamental design for a door latch, as shown and described.

DESCRIPTION

FIG. 1 is a top front perspective view of the present door latch; FIG. 2 is a top view of same; FIG. 3 is a front view of the door latch of FIG. 1; FIG. 4 is a rear view of same; FIG. 5 is a bottom view of same, the top being a mirror image of same; and, FIG. 6 is a top rear perspective view of the door latch of FIG. 1.

The structure shown in broken lines is for environment purposes only and does not form part of the claimed invention.

1 Claim, 4 Drawing Sheets



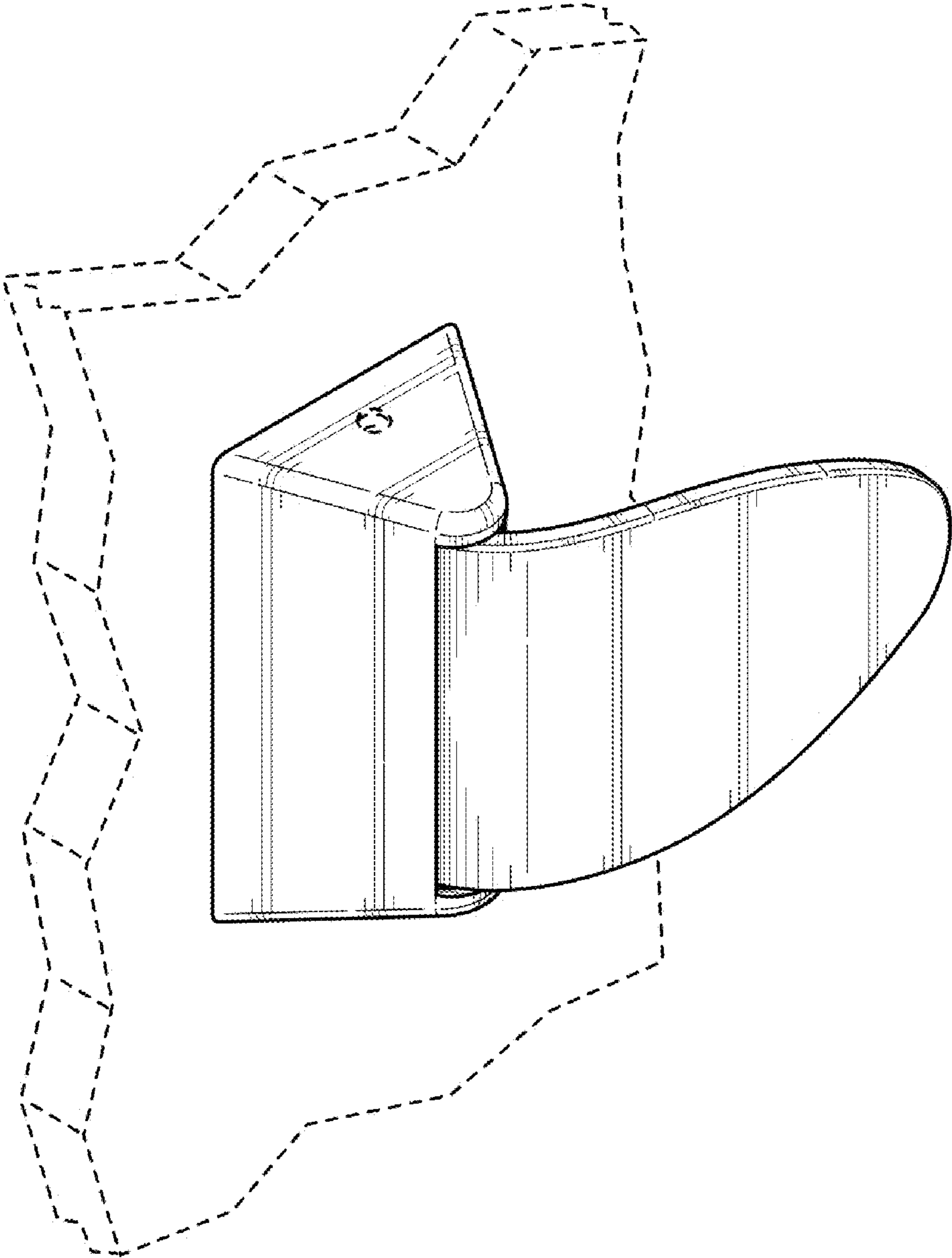


FIG. 1

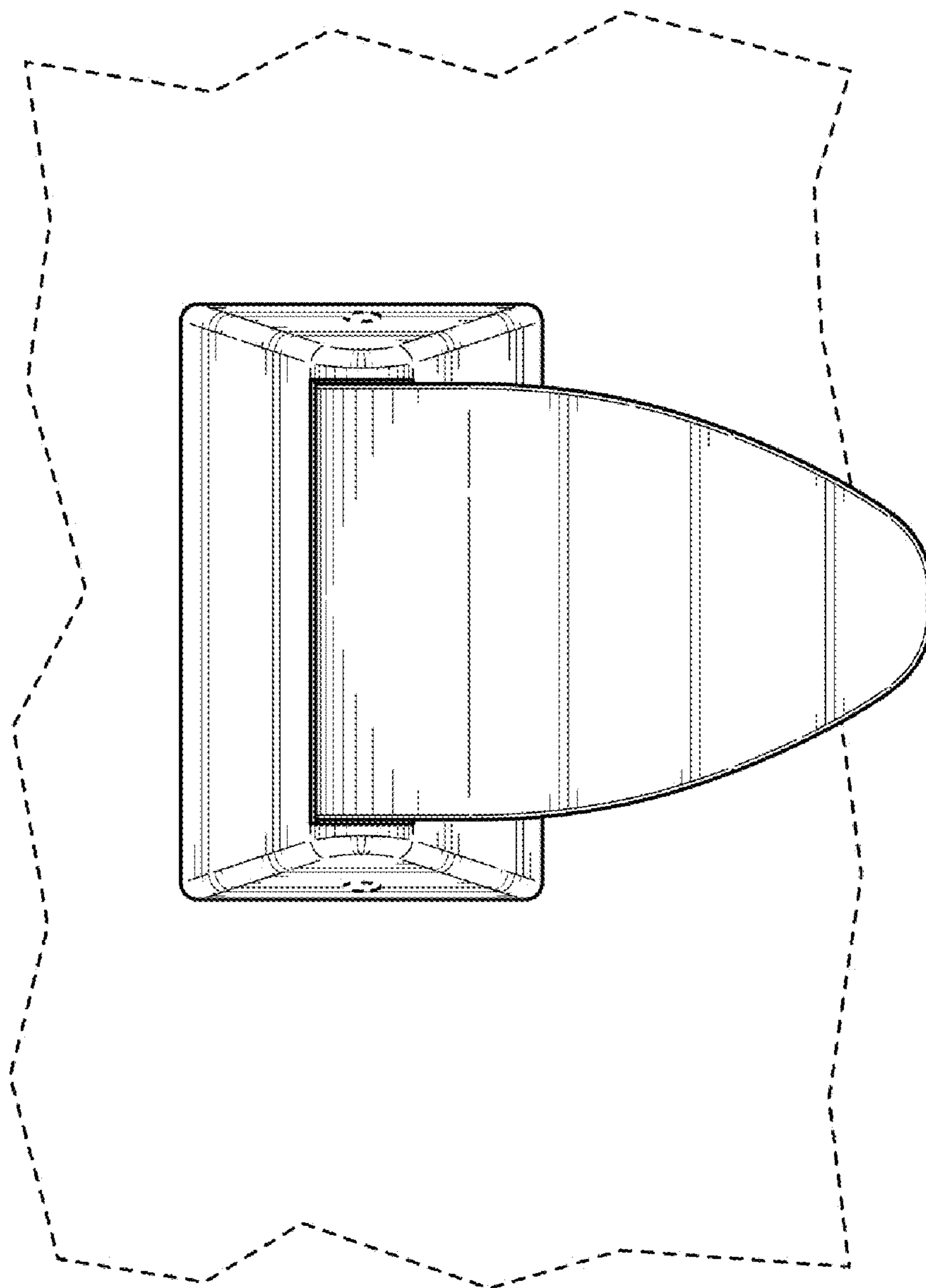


FIG. 2

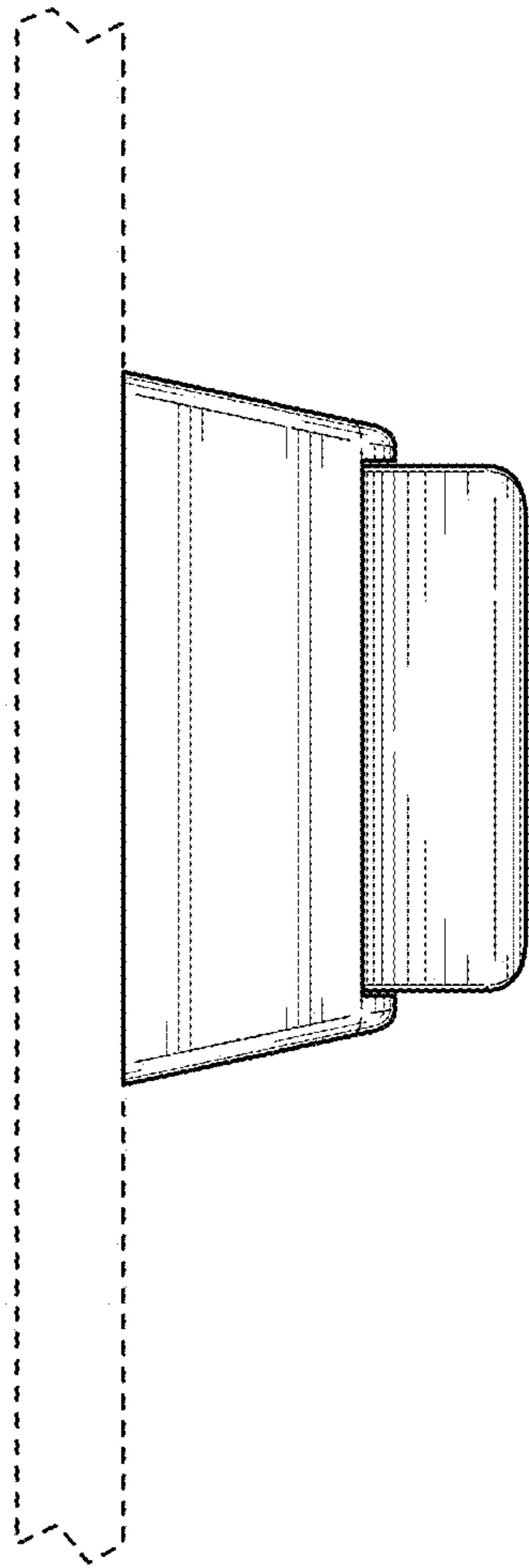


FIG. 3

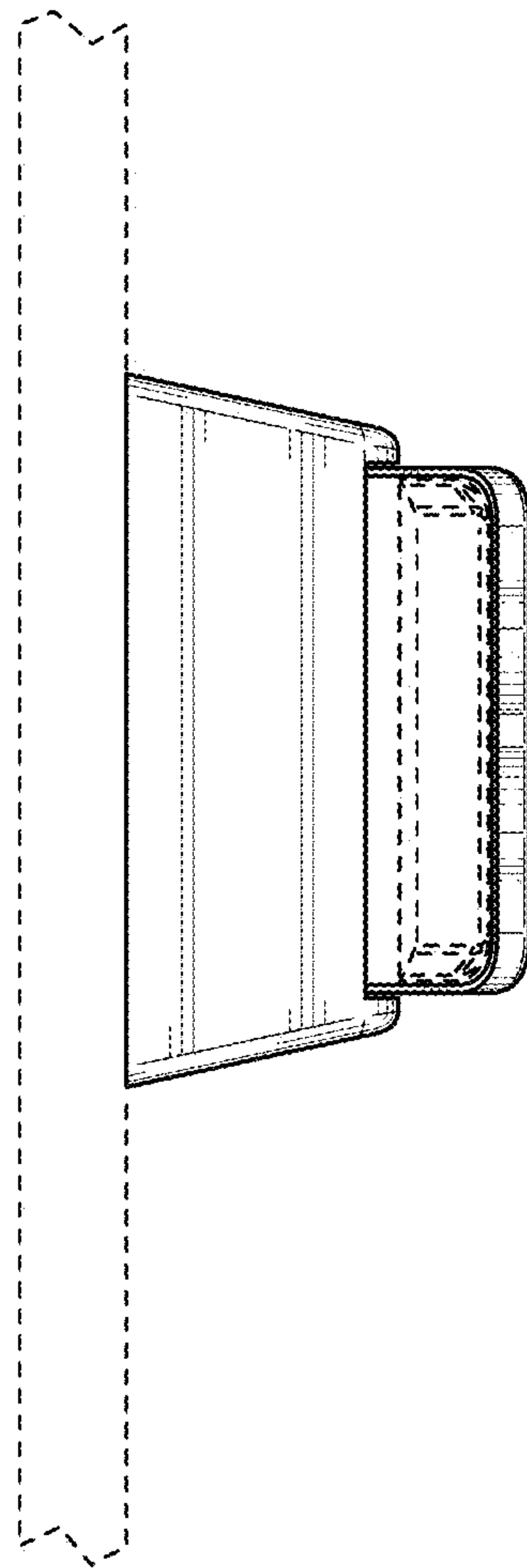


FIG. 4

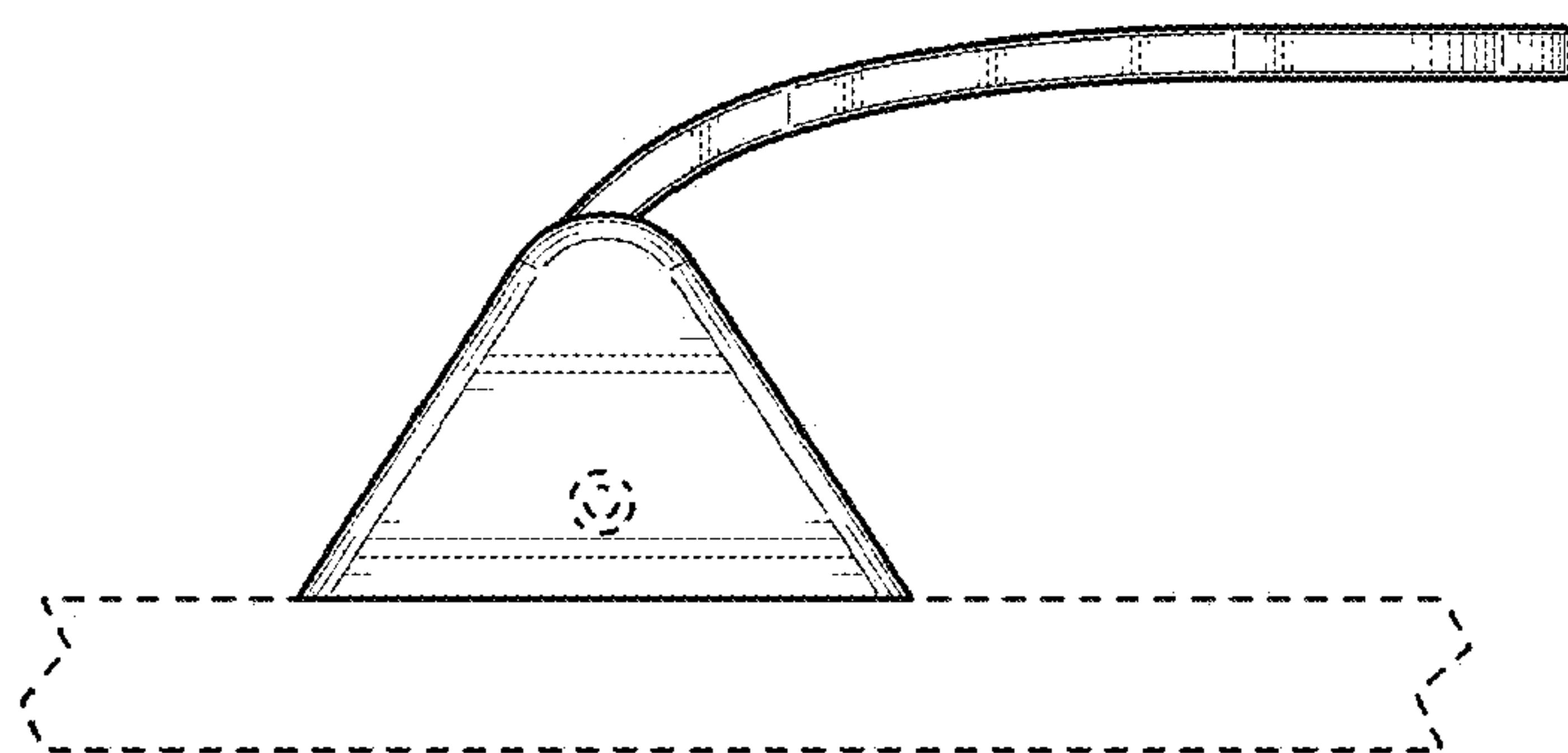


FIG. 5

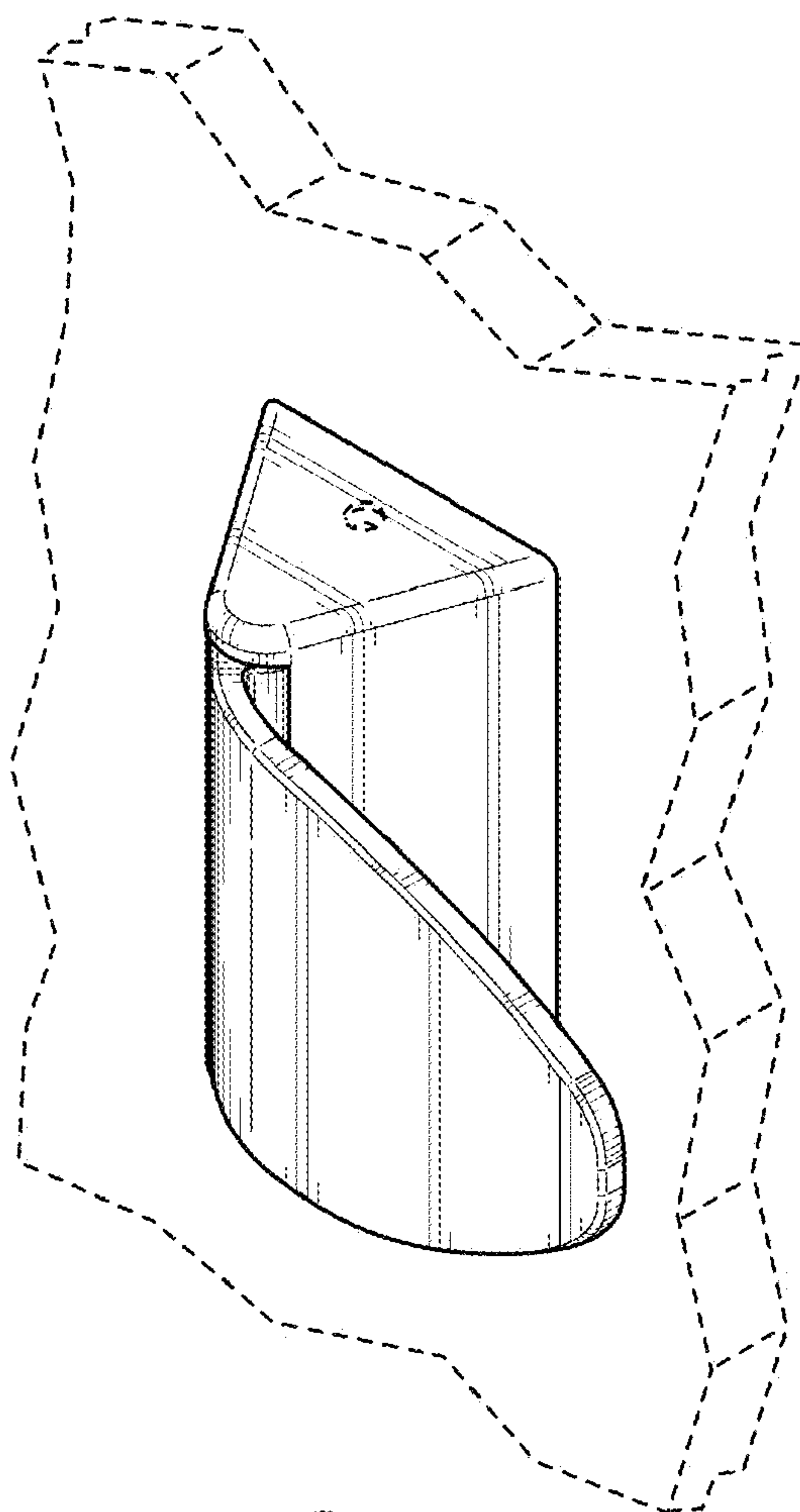


FIG. 6