



US00D677552S

(12) **United States Design Patent**  
**Johnson et al.**

(10) **Patent No.:** **US D677,552 S**  
(45) **Date of Patent:** **\*\* Mar. 12, 2013**

(54) **RADIAL FOLDOUT TOOL WITH MULTIPLE TYPES OF TOOLS AND BIT STORAGE**

(75) Inventors: **Ronald L. Johnson**, San Jose, CA (US);  
**Robert J. Gallegos**, Fremont, CA (US);  
**Steven Simas Escobar**, San Jose, CA (US);  
**Idriss Mansouri-Chafik Ruiz**, San Jose, CA (US);  
**Yugen Patrick Lockhart**, Palo Alto, CA (US)

(73) Assignee: **Wagic, Inc.**, Los Gatos, CA (US)

(\*\*) Term: **14 Years**

(21) Appl. No.: **29/344,285**

(22) Filed: **Sep. 25, 2009**

**Related U.S. Application Data**

(63) Continuation-in-part of application No. 12/009,461, filed on Jan. 17, 2008.

(51) **LOC (9) Cl.** ..... **08-05**

(52) **U.S. Cl.** ..... **D8/105**

(58) **Field of Classification Search** ..... D8/99,  
D8/58, 55, 356, 52, 107, 105; D19/65; 81/440,  
81/427.5, 177.4; 7/160, 138, 128, 118; 30/298.4,  
30/162, 161, 155

See application file for complete search history.

(56) **References Cited**

**U.S. PATENT DOCUMENTS**

244,309 A	7/1881	Rhodes	
363,331 A	5/1887	Hammer	
364,422 A	6/1887	Laforge	
580,235 A *	4/1897	Strum	86/22
647,528 A	4/1900	Schmidt	
763,745 A	6/1904	Gheen	
873,363 A	12/1907	Ross	
875,493 A	12/1907	Beard	
959,408 A	5/1910	Volbert	
1,000,900 A	8/1911	Dorsey	
1,006,679 A	10/1911	Rice	
1,100,070 A	6/1914	Graham	
1,172,656 A	2/1916	Yorgensen	
1,187,842 A *	6/1916	Kaas	7/168

D53,597 S	7/1919	Marcmann
1,337,769 A	4/1920	Hemming
1,398,583 A	11/1921	Bovee
1,425,270 A	8/1922	Morgan

(Continued)

**FOREIGN PATENT DOCUMENTS**

CA	1 147 176	5/1983
DE	24 53 480	5/1976

(Continued)

*Primary Examiner* — Austin Murphy

(74) *Attorney, Agent, or Firm* — Haverstock & Owens LLP

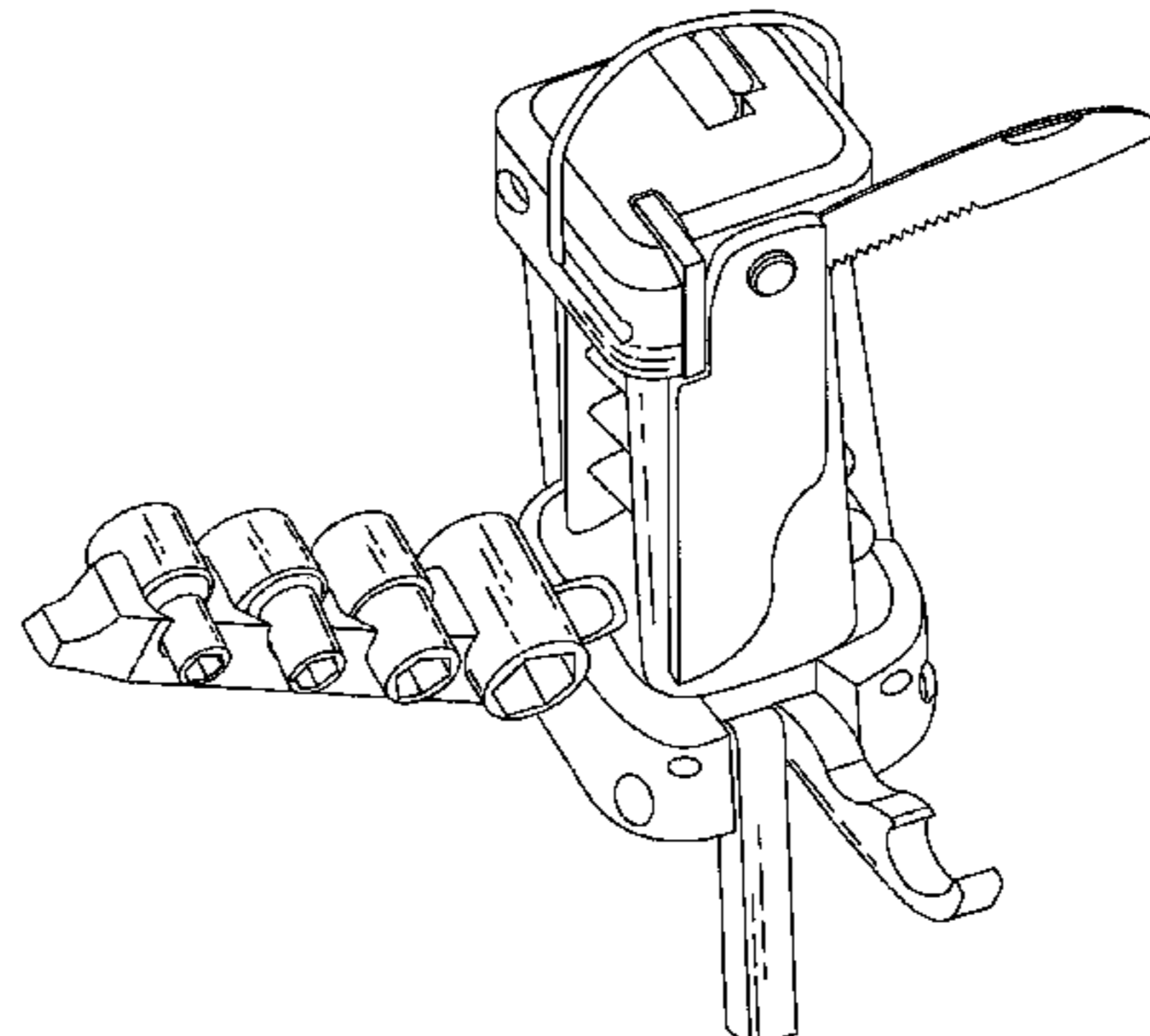
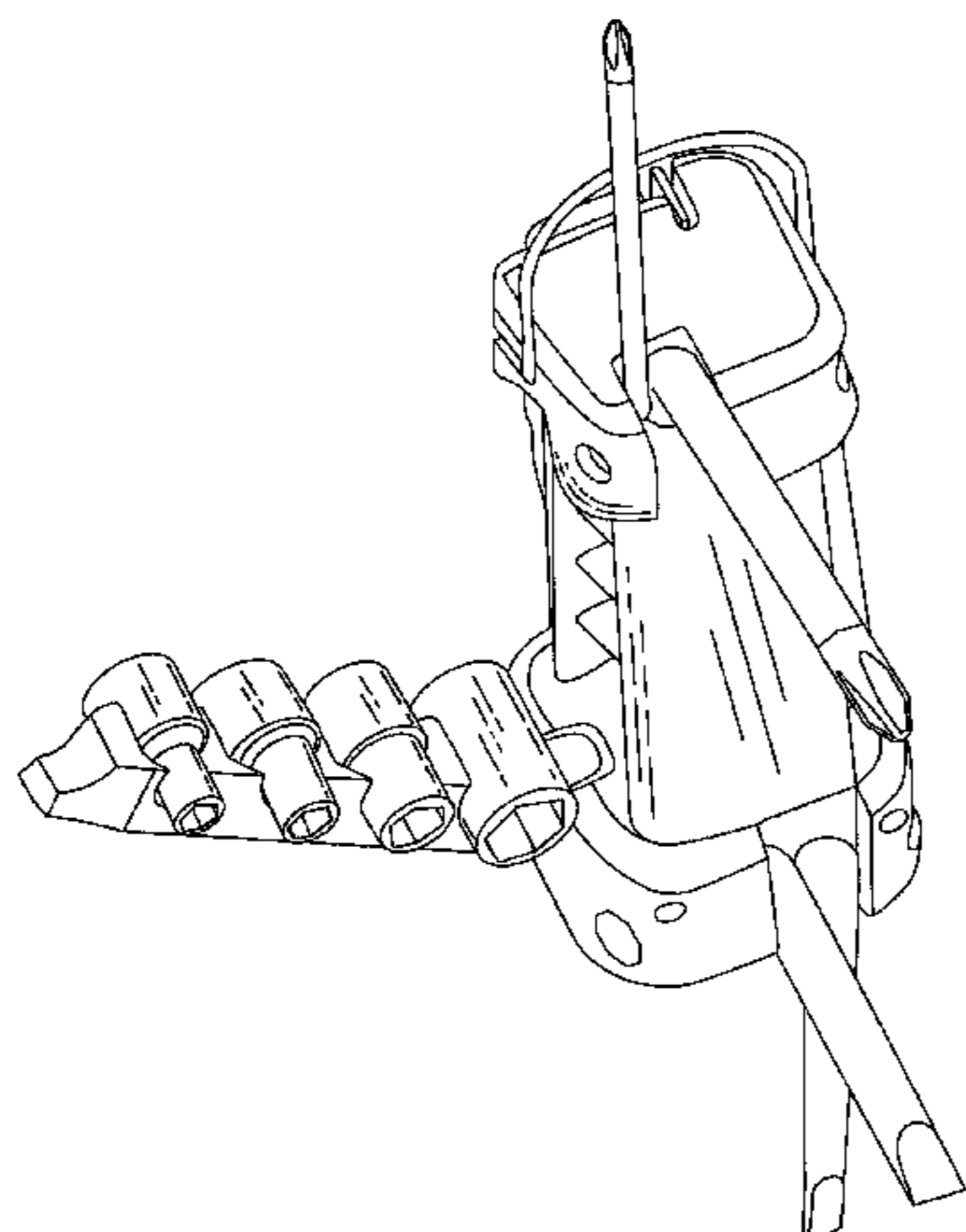
(57) **CLAIM**

We claim the ornamental design for radial foldout tool with multiple types of tools and bit storage, as shown and described.

**DESCRIPTION**

FIG. 1 illustrates a first isometric view of the radial foldout tool in a closed position;  
 FIG. 2 illustrates a second isometric view of the radial foldout tool in a closed position;  
 FIG. 3 illustrates a third isometric view of the radial foldout tool in a closed position;  
 FIG. 4 illustrates a fourth isometric view of the radial foldout tool in a closed position;  
 FIG. 5 illustrates a top isometric view of the radial foldout tool in a closed position;  
 FIG. 6 illustrates a first perspective view of the radial foldout tool in an open or partially open position;  
 FIG. 7 illustrates a second perspective view of the radial foldout tool in an open or partially open position;  
 FIG. 8 illustrates an isometric view of the radial foldout tool with a drive in an open position and coupled to a bit socket;  
 FIG. 9 illustrates a perspective view of a first bit holder of and detached from the radial foldout tool with an inserted hinge at a rotational end of the first bit holder; and,  
 FIG. 10 illustrates a perspective view of a second bit holder of and detached from the radial foldout tool with an inserted hinge at a rotational end of the second bit holder.  
 The features show in broken lines illustrate portions of the design that form no part of the claim.

**1 Claim, 10 Drawing Sheets**



# US D677,552 S

Page 2

U.S. PATENT DOCUMENTS					
1,500,852	A	7/1924 Shepard	4,448,097	A	5/1984 Rocca
1,502,044	A	7/1924 McCann	4,469,109	A	9/1984 Mehl
1,530,905	A	3/1925 Nance	4,476,751	A	10/1984 Mishima
1,559,097	A	10/1925 Hill	4,525,889	A	7/1985 Dunau
1,753,026	A	4/1930 Rosati	4,542,667	A	9/1985 Jang
1,825,936	A	10/1931 Bodmer	4,699,020	A	10/1987 Bush et al.
1,888,222	A	11/1932 Curtis et al.	4,703,673	A	11/1987 Allen
1,915,245	A	6/1933 Cook	4,711,353	A	12/1987 Rozmestor
1,944,606	A	1/1934 Little	4,716,795	A	1/1988 Corona et al.
1,970,409	A	8/1934 Wiedemann	4,716,796	A	1/1988 Corona et al.
2,236,333	A	3/1941 Cowles	4,767,006	A	8/1988 Wasem
2,332,656	A	10/1943 Mirando	4,783,867	A *	11/1988 Tsao ..... 7/160
2,346,364	A	4/1944 Dowe	4,787,276	A	11/1988 Condon
D142,982	S	11/1945 Bloomfield	4,815,346	A	3/1989 Littlehorn
2,409,613	A	10/1946 Brooks	4,819,523	A	4/1989 Souza
2,410,971	A	11/1946 Hartley	4,819,800	A	4/1989 Wilson
2,465,152	A	3/1949 Ellison	4,820,090	A	4/1989 Chen
2,465,619	A	3/1949 Veit	D302,102	S *	7/1989 Amagaya ..... D8/105
2,475,268	A	7/1949 Wittle	4,882,841	A	11/1989 Margolis
2,485,991	A	10/1949 Stowell	4,926,721	A	5/1990 Hsia
D156,677	S	12/1949 Smith	D308,462	S *	6/1990 Komatsu ..... D8/105
D157,154	S	2/1950 Horton	4,934,223	A	6/1990 Wong
2,509,507	A	5/1950 Kane	D310,770	S	9/1990 Zamarripa
2,512,967	A	6/1950 Quiron	D311,124	S	10/1990 Learney
2,530,024	A	11/1950 Moody	4,960,016	A	10/1990 Seals
2,532,636	A	12/1950 Minnich	4,974,477	A	12/1990 Anderson
2,569,069	A	9/1951 Motel	4,979,407	A	12/1990 Hernandez et al.
2,590,307	A	3/1952 Gibson	5,029,707	A	7/1991 Feng
2,593,828	A	4/1952 Arey	5,036,975	A	8/1991 Chow
2,604,211	A	7/1952 Steine	5,062,173	A	11/1991 Collins et al.
2,701,052	A	2/1955 Martel	5,063,796	A	11/1991 Gennep
D175,056	S	6/1955 Wilson	5,065,487	A	11/1991 Yother
2,715,028	A	8/1955 Dossie	5,086,674	A	2/1992 Her
2,719,042	A	9/1955 Epsy	5,146,815	A	9/1992 Scott, III
2,776,589	A	1/1957 Gregory	5,147,038	A	9/1992 Pergeau
2,778,396	A	1/1957 Swain	D333,769	S	3/1993 Jureckson
D179,979	S	4/1957 Noga	D334,516	S	4/1993 Tsunoda
2,800,816	A	7/1957 Tasciotti	D339,048	S	9/1993 Baum
2,804,970	A	9/1957 Kuc et al.	5,263,389	A	11/1993 Frazell et al.
2,810,472	A	10/1957 Midkiff	5,265,504	A	11/1993 Fruhn
2,836,210	A	5/1958 Garofalo	D342,433	S	12/1993 Sorenson
2,842,020	A	7/1958 Tarquinio	5,271,300	A	12/1993 Zurbuchen et al.
2,844,244	A	7/1958 Hanson	D343,106	S	1/1994 Eklind et al.
2,854,741	A	10/1958 Chogler	5,295,422	A	3/1994 Chow
2,878,701	A	3/1959 Weersma	5,320,004	A	6/1994 Hsiao
3,023,054	A	6/1960 Shigekuni	5,329,834	A	7/1994 Wong
3,061,927	A	11/1962 Von Frankenberg et al.	5,394,984	A	3/1995 Aiba
3,113,479	A	12/1963 Swingle	D359,671	S	6/1995 Acosta
3,156,143	A	11/1964 Wolf	5,450,774	A	9/1995 Chang
3,222,959	A	12/1965 Clark	5,450,775	A	9/1995 Kozak
3,255,792	A	6/1966 Beck	5,461,950	A	10/1995 Iwinski
3,257,991	A	6/1966 Mosch	D365,681	S	1/1996 Chow
D205,745	S	9/1966 Nannfeldt	5,480,166	A	1/1996 Milsop
3,342,229	A	9/1967 Janes	5,495,942	A	3/1996 Izhak
3,343,434	A	9/1967 Schroeder	5,499,560	A	3/1996 Aeschliman
3,424,039	A	1/1969 Scott	5,499,562	A	3/1996 Feng
3,592,086	A	7/1971 Derwin	5,517,885	A	5/1996 Feng
3,654,975	A	4/1972 Ballsmith et al.	5,522,291	A	6/1996 Liu
3,667,518	A	6/1972 Stillwagon, Jr.	5,535,882	A	7/1996 Liu
3,802,286	A	4/1974 Winklhofer et al.	D373,943	S	9/1996 Fuhrmann
3,863,693	A	2/1975 Carriker	5,553,340	A	9/1996 Brown, Jr.
3,943,801	A	3/1976 Yates	5,566,596	A	10/1996 Lin
3,958,469	A	5/1976 Meese	D376,520	S	12/1996 Morin
3,997,053	A	12/1976 Bondhus	5,581,834	A	12/1996 Collins
4,000,767	A	1/1977 Geng	D377,444	S	1/1997 Lin
4,043,230	A	8/1977 Scrivens	5,592,859	A	1/1997 Johnson et al.
4,154,125	A	5/1979 Frank	D378,797	S	4/1997 Poremba et al.
4,196,761	A	4/1980 Royer	D380,131	S	6/1997 Sung
4,227,430	A	10/1980 Jansson et al.	D382,190	S	8/1997 Blackston et al.
4,235,269	A	11/1980 Kraus	5,653,525	A *	8/1997 Park ..... 362/119
4,238,862	A	12/1980 Leatherman	D383,048	S	9/1997 Sorenson et al.
4,241,773	A	12/1980 Personnat	5,662,013	A	9/1997 Lin
4,302,990	A	12/1981 Chrichton et al.	D385,172	S	10/1997 Bramsiepe et al.
4,308,770	A	1/1982 Mac Donald	D386,955	S	12/1997 Jones et al.
4,327,790	A	5/1982 Stevens et al.	D388,609	S	1/1998 Chan
4,384,499	A	5/1983 Shockley	5,711,042	A *	1/1998 Chuang ..... 7/138
D270,024	S	8/1983 Strasser	D394,792	S *	6/1998 Bourque ..... D8/98
4,424,728	A	1/1984 Mac Donald	D394,794	S	6/1998 Vasudeva
			5,758,870	A	6/1998 Weaver

# US D677,552 S

5,765,247 A	6/1998	Seber et al.	D494,438 S *	8/2004	Falkenstein et al. ....	D8/105
5,765,454 A	6/1998	Barbulescu et al.	6,799,490 B1	10/2004	Chu	
5,791,211 A	8/1998	Bondhus et al.	6,877,186 B2	4/2005	Shiao	
5,803,584 A	9/1998	Chung	6,898,998 B2	5/2005	Shyu	
5,820,288 A	10/1998	Cole	6,901,826 B2	6/2005	Huang	
D400,775 S	11/1998	Hsu	6,918,323 B2	7/2005	Arnold et al.	
5,855,274 A	1/1999	Piao	6,922,870 B2	8/2005	Tontz, Sr.	
D405,335 S	2/1999	Lin	6,925,910 B2	8/2005	Alford	
5,911,799 A	6/1999	Johnson et al.	6,928,908 B1	8/2005	Yu	
5,916,277 A	6/1999	Dallas	6,935,211 B2	8/2005	Chen	
5,916,341 A	6/1999	Lin	6,941,843 B2	9/2005	Johnson et al.	
5,918,513 A	7/1999	Ho	6,948,406 B1	9/2005	Li	
5,918,741 A	7/1999	Vasudeva	6,968,758 B2	11/2005	Lin	
5,970,828 A	10/1999	Bondhus et al.	D517,391 S	3/2006	Leins	
D415,946 S	11/1999	Tsai	7,028,593 B1	4/2006	Lin et al.	
5,983,759 A	11/1999	Turner	7,051,629 B2	5/2006	Huang	
5,992,626 A	11/1999	Anderson	D523,637 S	6/2006	Chang	
D420,885 S	2/2000	Lin	7,073,418 B2	7/2006	Kuo	
D426,449 S	6/2000	Eklind	7,080,582 B2	7/2006	Karle	
D426,450 S	6/2000	Eklind	7,086,314 B2	8/2006	Wannop	
D427,875 S *	7/2000	Chiu ..... D8/105	7,093,519 B1	8/2006	Huang	
6,085,620 A *	7/2000	Anderson et al. .... 81/440	D527,903 S	9/2006	Chan	
6,089,133 A	7/2000	Liao	7,100,476 B1	9/2006	Feit	
6,092,656 A	7/2000	Ernst	7,131,358 B2	11/2006	Hsien	
6,095,018 A	8/2000	Schuster	7,140,280 B2 *	11/2006	Hawkins et al. .... 81/440	
6,105,767 A	8/2000	Vasudeva	7,143,669 B2	12/2006	Hu	
6,119,560 A	9/2000	Anderson et al.	7,150,208 B2	12/2006	Debley	
6,128,981 A	10/2000	Bondhus et al.	7,159,260 B2	1/2007	Hansen	
D433,613 S	11/2000	Jialin	7,159,491 B1	1/2007	Chaconas et al.	
D433,910 S	11/2000	Oliver et al.	7,165,479 B1	1/2007	Lee	
6,151,998 A	11/2000	Fu-Hui	7,168,345 B1	1/2007	Hsieh	
D435,415 S	12/2000	Johnson et al.	7,182,003 B1	2/2007	Hsieh	
6,164,172 A	12/2000	Huang	7,216,569 B2	5/2007	Abdelgany	
D435,773 S	1/2001	Lin	7,237,463 B1	7/2007	Lee	
D437,541 S	2/2001	Hermansen et al.	D548,464 S	8/2007	Lin	
D437,763 S	2/2001	Oliver et al.	D549,069 S	8/2007	Lin et al.	
6,186,785 B1	2/2001	Rogers et al.	7,281,454 B2	10/2007	Johnson et al.	
6,206,189 B1	3/2001	Huot, Jr. et al.	7,284,466 B1	10/2007	Ho	
6,233,769 B1	5/2001	Seber et al.	D557,099 S	12/2007	Lin	
6,237,451 B1	5/2001	Wei	7,305,908 B2	12/2007	Chi	
6,257,106 B1	7/2001	Anderson et al.	7,467,574 B1	12/2008	Lin	
6,279,434 B1	8/2001	Brown	7,467,575 B2	12/2008	Lai	
6,279,435 B1	8/2001	Zayat, Jr.	7,565,852 B2	7/2009	Yu	
D448,267 S	9/2001	Jean et al.	7,743,685 B2	6/2010	Chang	
6,308,599 B1 *	10/2001	Fu-Hui ..... 81/490	D623,037 S *	9/2010	Johnson et al. .... D8/105	
6,311,587 B1	11/2001	Johnson et al.	7,810,415 B2	10/2010	Adamany et al.	
6,314,838 B2	11/2001	Wall	7,836,534 B2	11/2010	Simmons	
6,318,218 B1	11/2001	Anderson et al.	7,946,203 B2 *	5/2011	Johnson et al. .... 81/439	
6,332,381 B1	12/2001	Vasudeva	8,011,277 B2	9/2011	Johnson et al.	
6,345,557 B1	2/2002	Kuo	8,015,642 B1	9/2011	Oakley	
D454,766 S	3/2002	Lin	D650,257 S *	12/2011	Royes et al. .... D8/105	
6,357,068 B1	3/2002	Seber et al.	2001/0005576 A1	6/2001	Rogers et al.	
D455,630 S *	4/2002	Chiu ..... D8/105	2001/0045145 A1	11/2001	Legg	
6,382,057 B1	5/2002	Kienholz	2003/0047474 A1	3/2003	Dahlson	
6,389,931 B1	5/2002	Delaney et al.	2003/0126957 A1	7/2003	Huang	
6,397,709 B1	6/2002	Wall	2003/0188610 A1	10/2003	Lin	
6,401,576 B1	6/2002	Wu	2003/0226428 A1	12/2003	Liu	
6,405,620 B2	6/2002	Liao	2004/0050218 A1	3/2004	Napoli	
D459,967 S	7/2002	Johnson et al.	2004/0173061 A1	9/2004	Liou	
D462,002 S	8/2002	Jean et al.	2004/0262344 A1	12/2004	White	
6,427,564 B1	8/2002	Nelson	2005/0011318 A1	1/2005	Tsai	
6,490,954 B2	12/2002	Johnson et al.	2005/0199108 A1	9/2005	Jheng	
6,510,766 B1	1/2003	Lin	2005/0229752 A1	10/2005	Nickipuck	
6,510,767 B1	1/2003	Rivera	2005/0247587 A1	11/2005	Holland-Letz	
D470,739 S	2/2003	Chen	2005/0268752 A1	12/2005	Johnson et al.	
D472,712 S	4/2003	Sagen	2006/0101955 A1	5/2006	Chang	
D472,931 S *	4/2003	Leins ..... D19/65	2006/0118500 A1	6/2006	Chen	
6,564,680 B1	5/2003	Rinner et al.	2006/0150784 A1	7/2006	Hsieh	
6,598,503 B1	7/2003	Cunningham	2006/0213059 A1	9/2006	Eggert	
D479,963 S *	9/2003	Chang ..... D8/21	2006/0288823 A1	12/2006	Schepman	
6,640,675 B1	11/2003	Chuang	2007/0023306 A1	2/2007	Lai	
6,675,678 B2	1/2004	Liu	2007/0056872 A1	3/2007	Begim	
6,698,318 B2	3/2004	Peters	2007/0151402 A1	7/2007	Schneeman et al.	
6,701,813 B2	3/2004	Hu	2007/0221017 A1	9/2007	Heaven	
6,739,224 B1	5/2004	Wershe	2007/0228672 A1	10/2007	Huang	
6,751,819 B2	6/2004	Chuang	2007/0245862 A1	10/2007	Gonzalez et al.	
6,752,046 B1	6/2004	Lee				
6,758,350 B2	7/2004	Lin				
6,763,744 B2	7/2004	Johnson et al.				

# US D677,552 S

Page 4

---

				FOREIGN PATENT DOCUMENTS		
2007/0295171	A1	12/2007	Johnson et al.			
2008/0128370	A1	6/2008	Shih			
2008/0148909	A1	6/2008	Lai	DE	37 44 176	8/1989
2008/0156754	A1	7/2008	Cheng	EP	503 559	9/1992
2008/0164171	A1	7/2008	Meng	EP	618 046	10/1994
2008/0190249	A1	8/2008	Yu	FR	787 512	9/1935
2008/0202963	A1	8/2008	Liao	GB	856 223	12/1960
2008/0251402	A1	10/2008	Chiu	JP	55-045442 U	3/1980
2008/0271573	A1	11/2008	Lown et al.	JP	57-13165	1/1982
2008/0295657	A1	12/2008	Cluthe	JP	3-47775	5/1991
2009/0107303	A1	4/2009	Steinweg et al.	JP	4-29368	3/1992
2009/0183608	A1*	7/2009	Johnson et al. .... 81/177.4	JP	5-31882	4/1993
2009/0183609	A1*	7/2009	Johnson et al. .... 81/436	WO	83/01406	4/1983
2009/0241740	A1	10/2009	Heagerty	WO	97/29887	8/1997
2011/0000024	A1*	1/2011	Johnson et al. .... 7/118			

\* cited by examiner

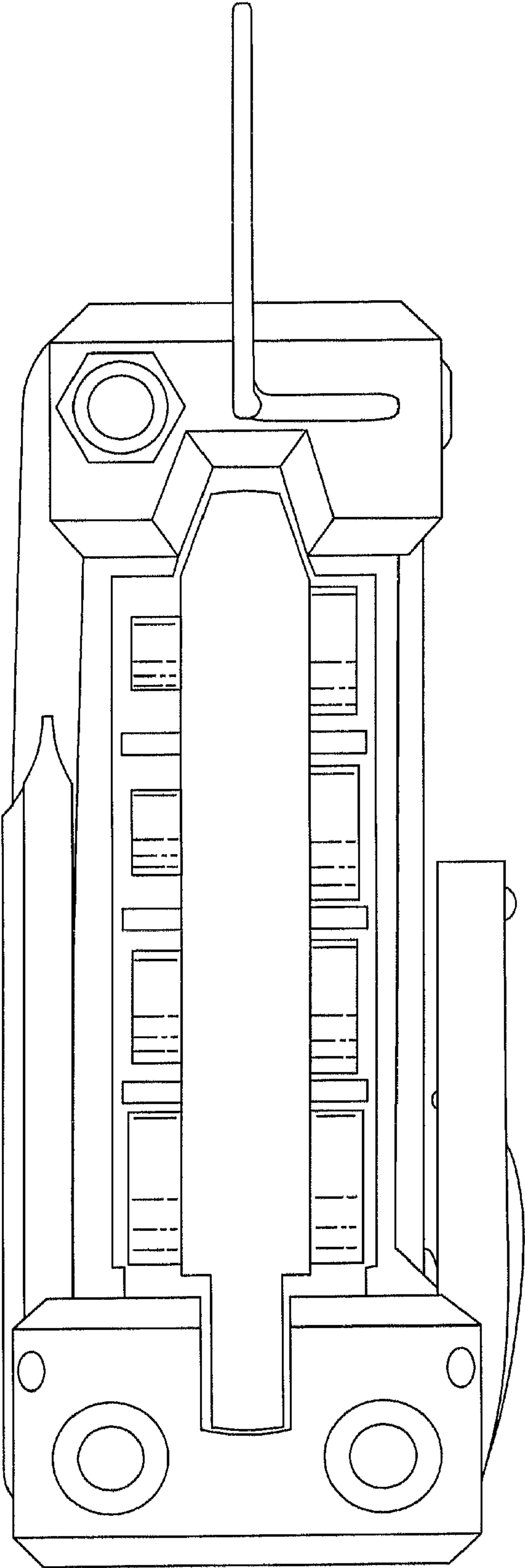


Fig. 1

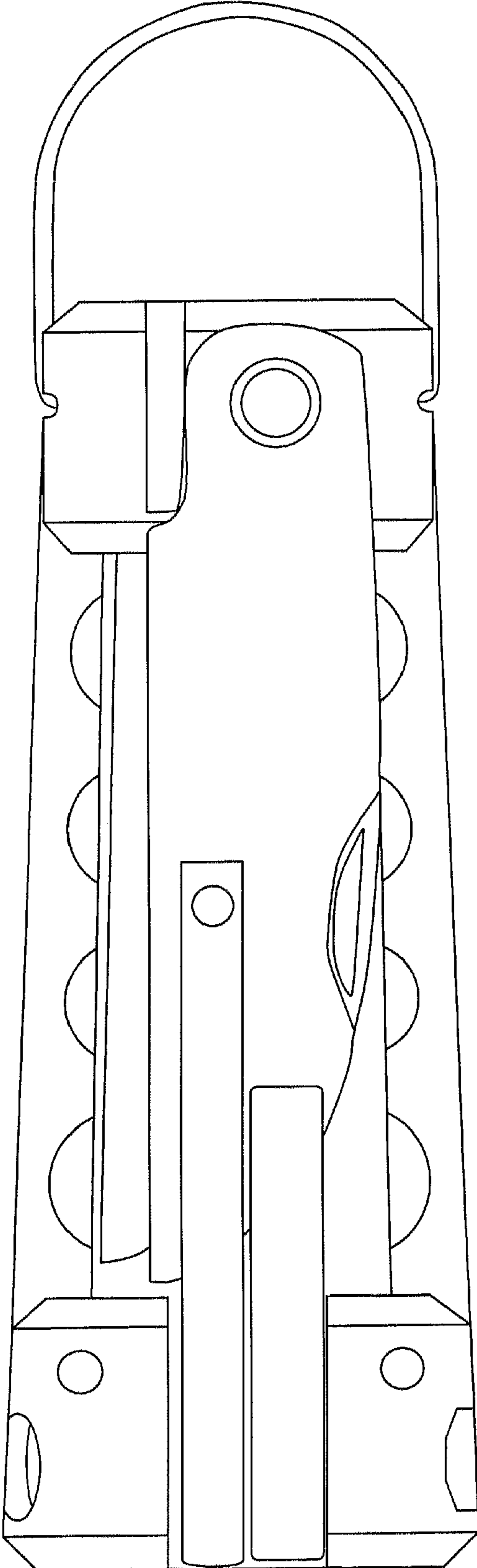


Fig. 2

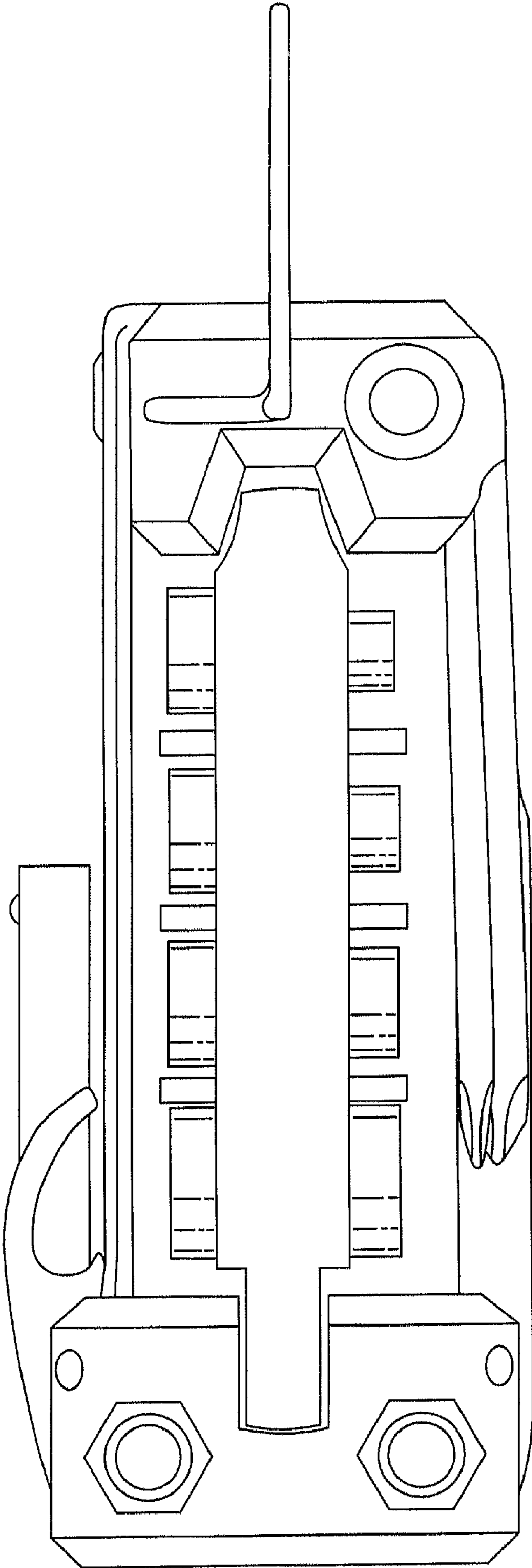


Fig. 3

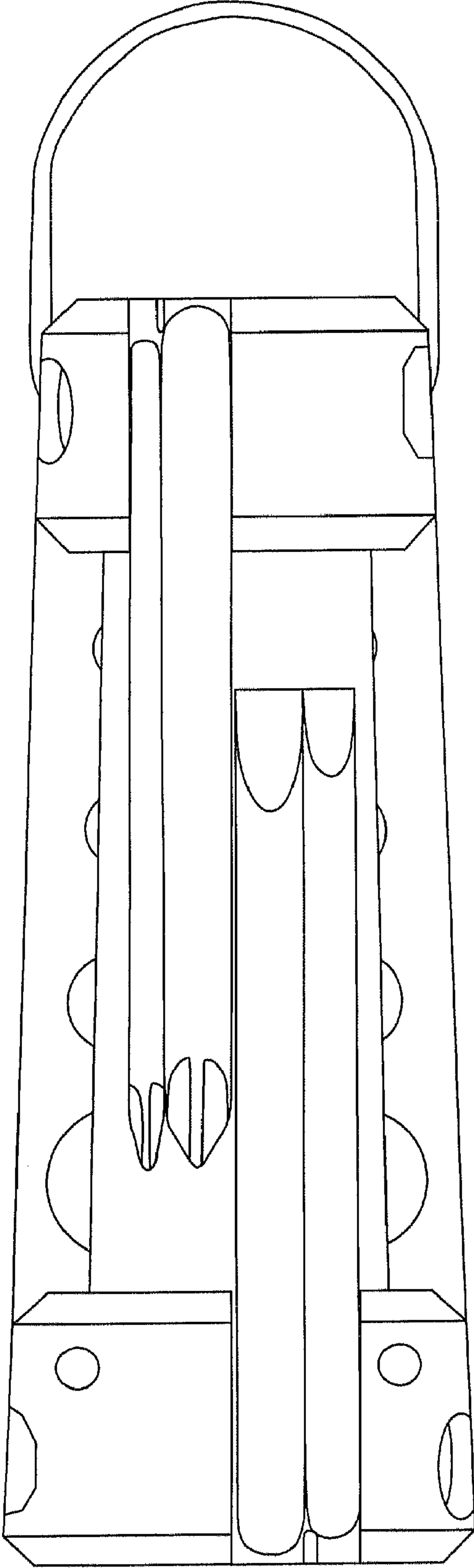
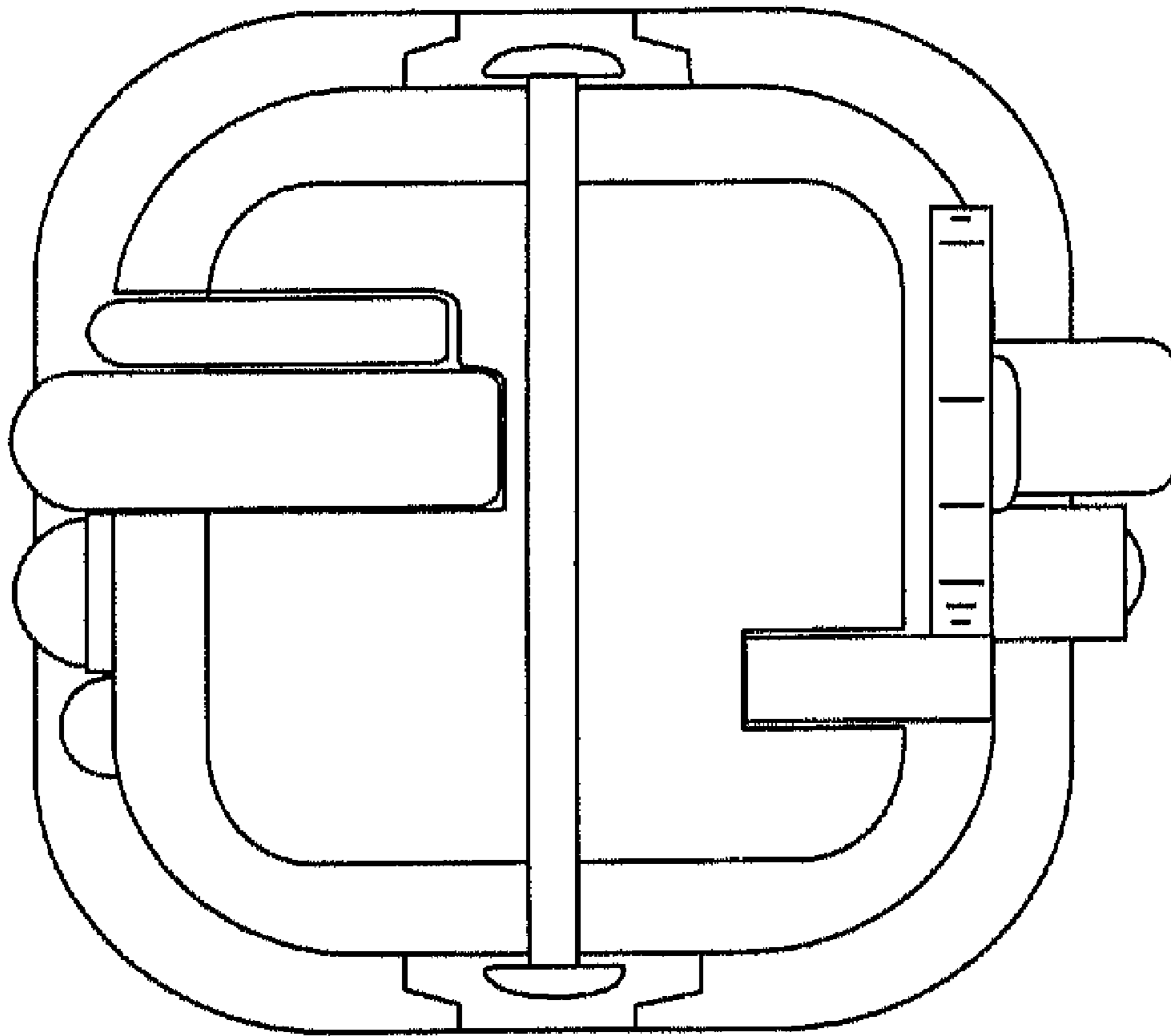
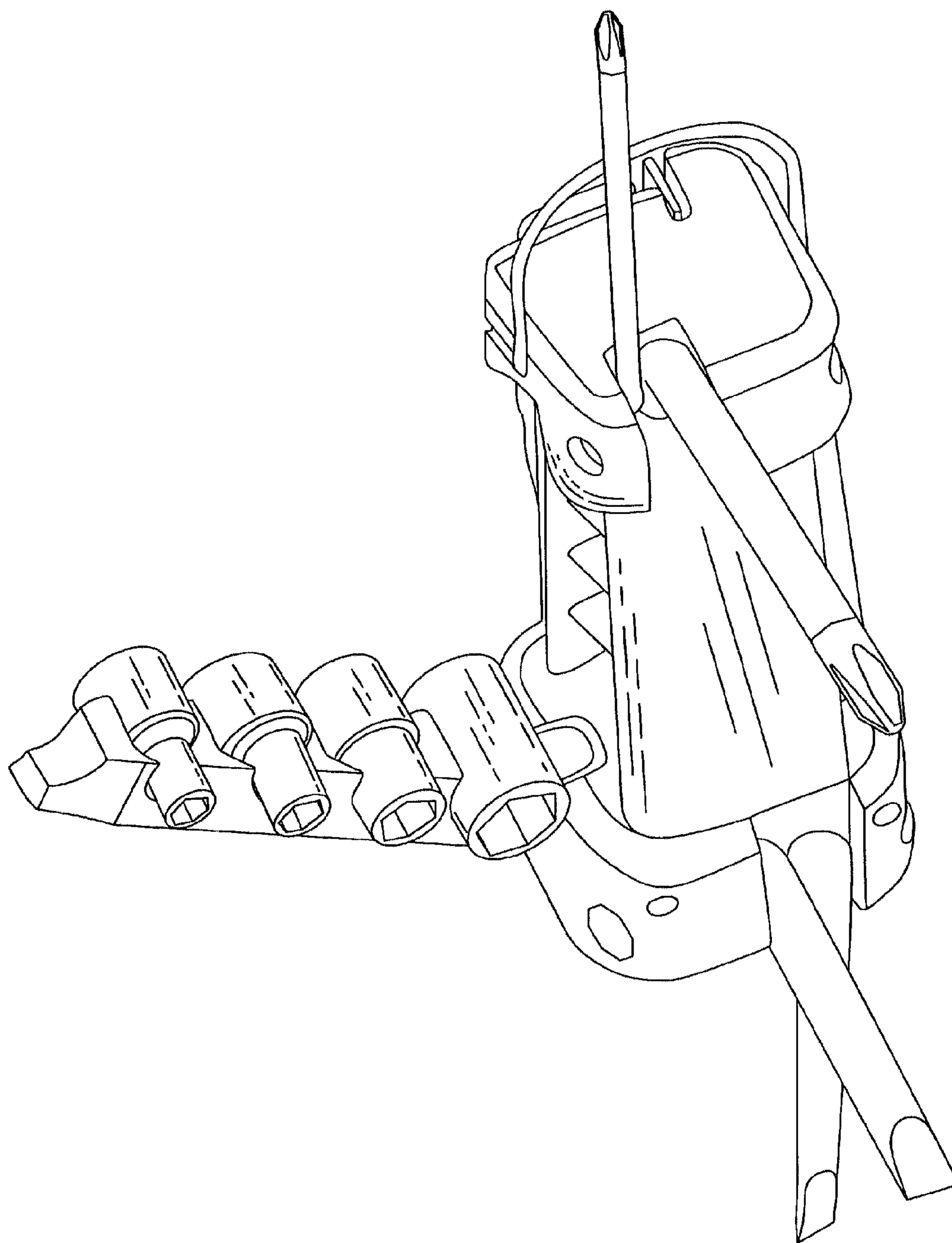


Fig. 4

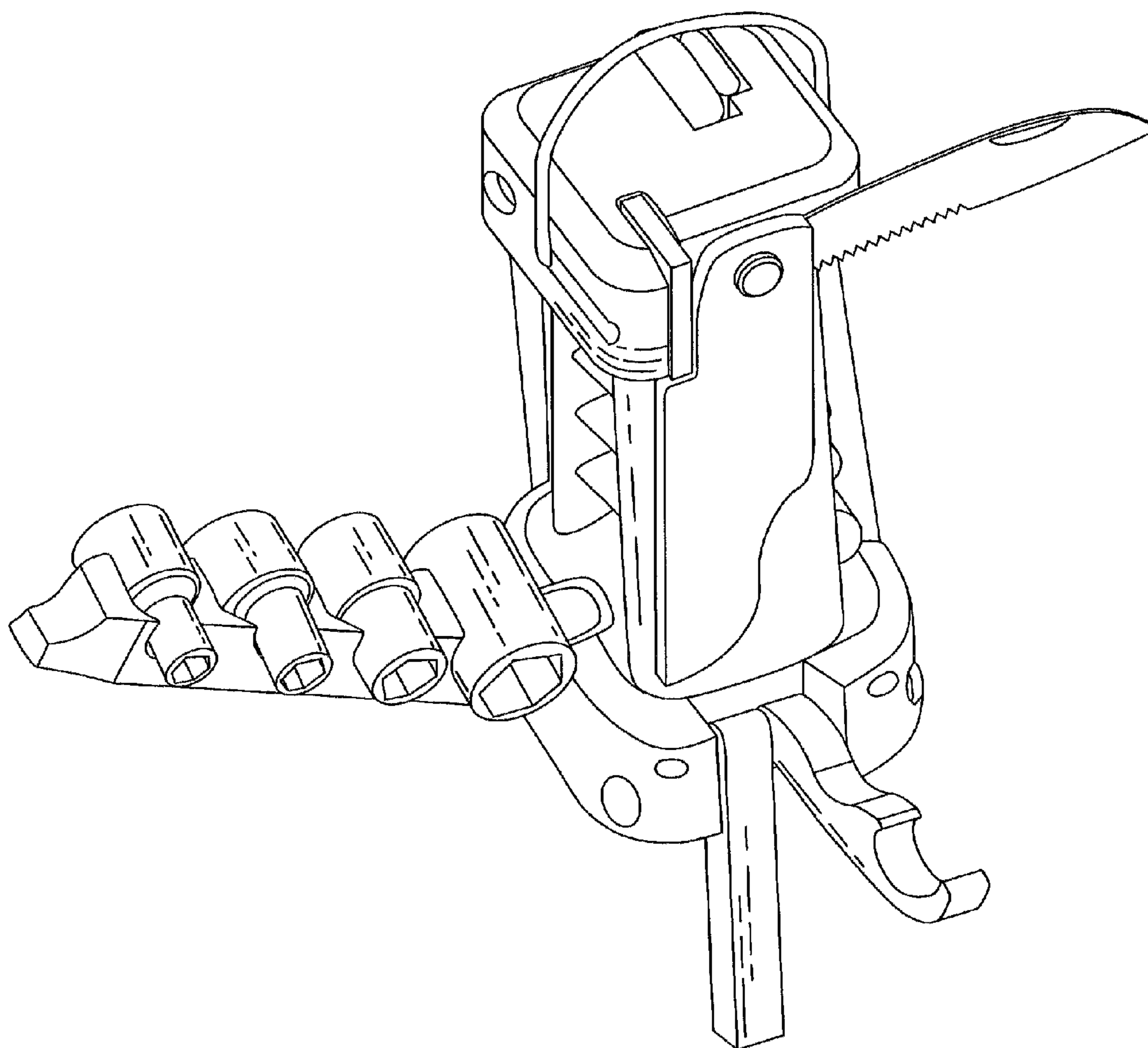




**Fig. 5**



**Fig. 6**



**Fig. 7**

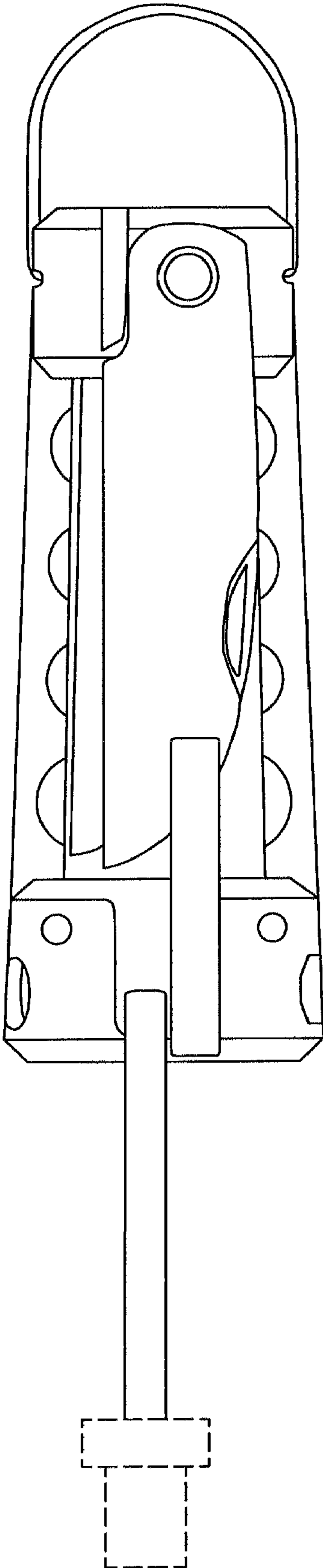
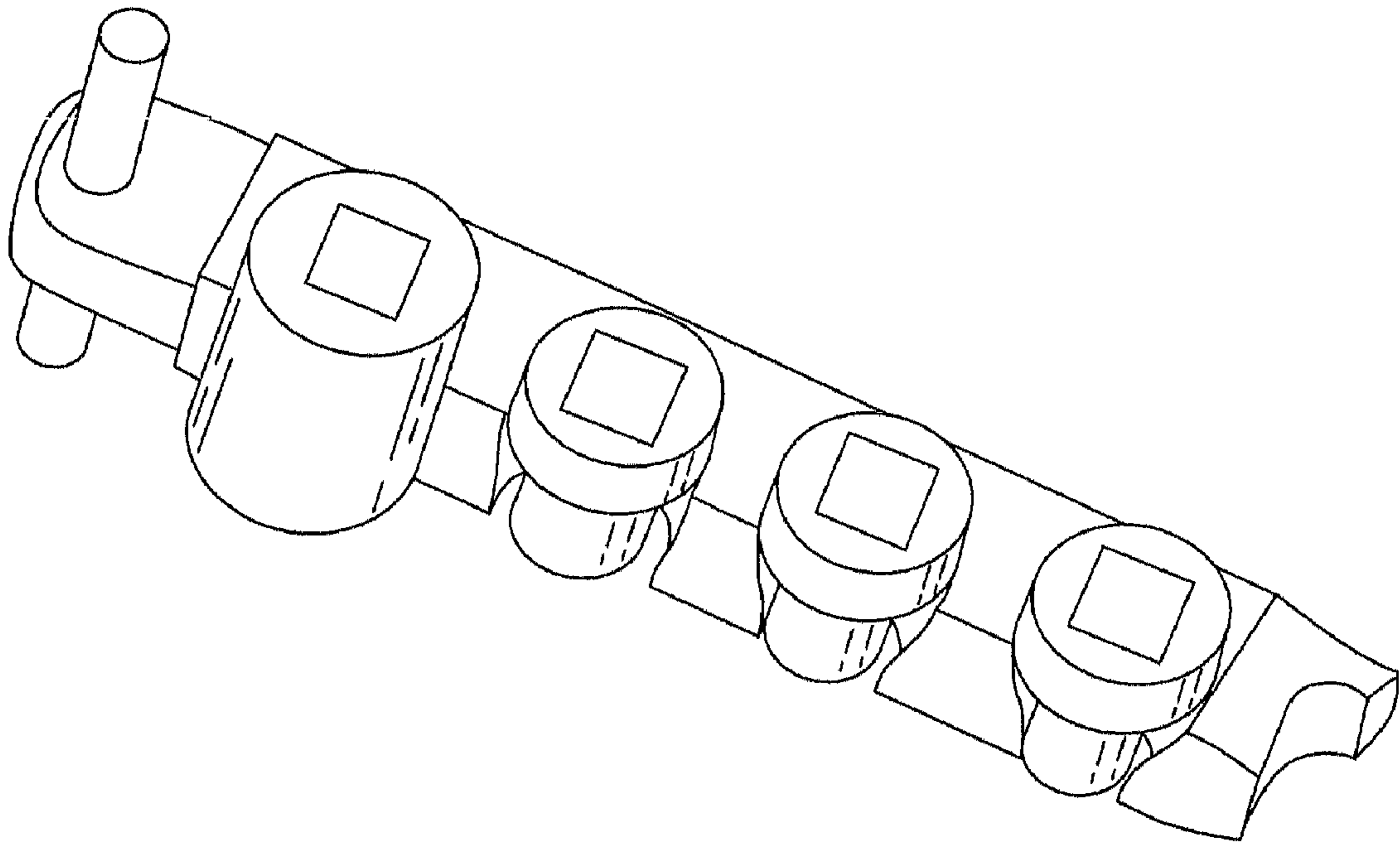
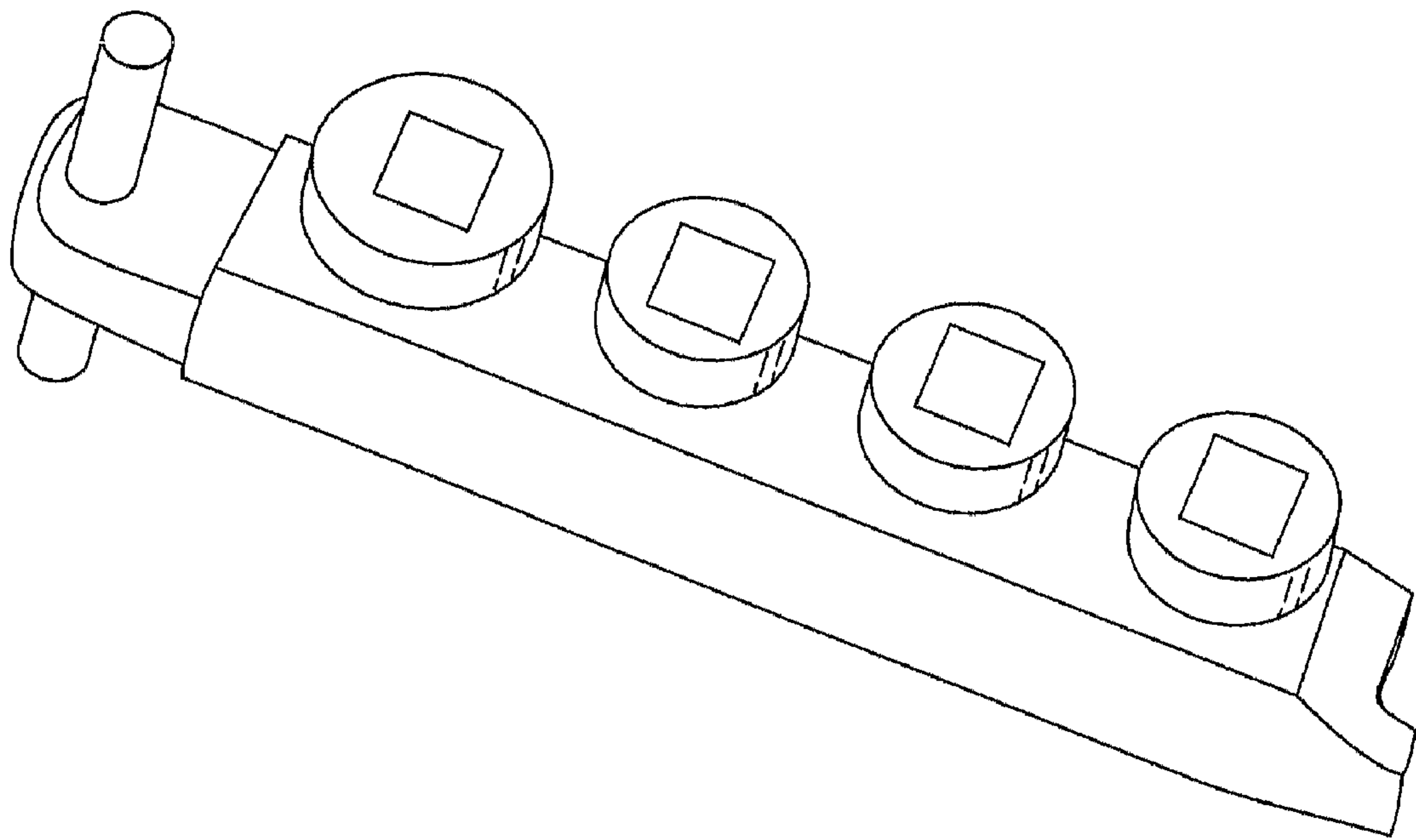


Fig. 8



**Fig. 9**



**Fig. 10**