



US00D677548S

(12) **United States Design Patent**
Rosenau et al.

(10) **Patent No.:** **US D677,548 S**
(45) **Date of Patent:** **** Mar. 12, 2013**

(54) **DUST EXTRACTOR**

(75) Inventors: **Isabell Rosenau**, Frankfurt am Main (DE); **Alexander Foerster**, Wiesbaden (DE); **Norbert Hahn**, Hunstetten-Limbach (DE); **Stefan Sell**, Mainz (DE)

(73) Assignee: **Black & Decker Inc.**, Newark, DE (US)

(**) Term: **14 Years**

(21) Appl. No.: **29/396,870**

(22) Filed: **Jul. 8, 2011**

(30) **Foreign Application Priority Data**

Jan. 12, 2011 (EM) 001254338-0001

(51) **LOC (9) Cl.** **08-01**

(52) **U.S. Cl.** **D8/70**

(58) **Field of Classification Search** D32/3-33, D32/182; D23/213; 408/67, 56, 58-61; D8/70, 61, 69, 80, 105, 499; D15/138; 173/198; 454/49, 66; 144/252.1; 451/453, 456

See application file for complete search history.

(56) **References Cited**

U.S. PATENT DOCUMENTS

3,850,254	A *	11/1974	Hirdes	173/75
D267,906	S *	2/1983	Parise et al.	D32/31
D270,298	S *	8/1983	Ayukawa et al.	D32/21
D294,413	S *	2/1988	Berfield et al.	D32/31
D294,414	S *	2/1988	Berfield et al.	D32/31
D299,772	S *	2/1989	Smith	D32/31
D300,574	S *	4/1989	Smith	D32/31
4,848,980	A *	7/1989	Broussard	408/67
5,129,467	A *	7/1992	Watanabe et al.	173/75
D346,248	S *	4/1994	Patterson	D32/31
D374,524	S *	10/1996	Harris	D32/32
D376,526	S *	12/1996	Hepburn	D8/70
D384,453	S *	9/1997	Bartz	D32/31
D386,845	S *	11/1997	Wareham et al.	D32/32
D392,531	S *	3/1998	Richardson	D8/70
D400,325	S *	10/1998	Broecking	D32/33
D407,094	S *	3/1999	Meredith et al.	D15/133

5,988,954	A *	11/1999	Gaskin et al.	408/67
6,053,674	A *	4/2000	Thompson	408/67
D435,207	S *	12/2000	Nathenson et al.	D8/70
D499,625	S *	12/2004	Stirm	D8/70
D499,946	S *	12/2004	Stirm	D8/70
6,854,937	B1 *	2/2005	Weiss	409/137
D513,161	S *	12/2005	Chilton	D8/70
6,996,871	B1 *	2/2006	Policicchio	15/228
D529,356	S *	10/2006	Goto	D8/62
7,182,150	B2 *	2/2007	Grossman	173/198
D558,410	S *	12/2007	Hill et al.	D32/21
7,425,109	B2 *	9/2008	Simm et al.	408/67
D593,389	S *	6/2009	Clayton	D8/70
D614,678	S *	4/2010	Jorgensen et al.	D15/138
7,740,086	B2 *	6/2010	Bleicher et al.	173/198
D626,813	S *	11/2010	Stirm	D8/69
D636,547	S *	4/2011	Moore, Jr.	D32/24
D644,714	S *	9/2011	Mauchle et al.	D23/213
D649,309	S *	11/2011	Spann	D32/33
8,152,602	B2 *	4/2012	Guth	451/456
2007/0264091	A1 *	11/2007	Bleicher et al.	408/58
2009/0032138	A1 *	2/2009	Alleman et al.	144/252.1
2009/0148248	A1 *	6/2009	Nishikawa et al.	408/67

(Continued)

Primary Examiner — Ruth McInroy

(74) *Attorney, Agent, or Firm* — Kofi Schulerbrandt; Scott B. Markow; Adan Ayala

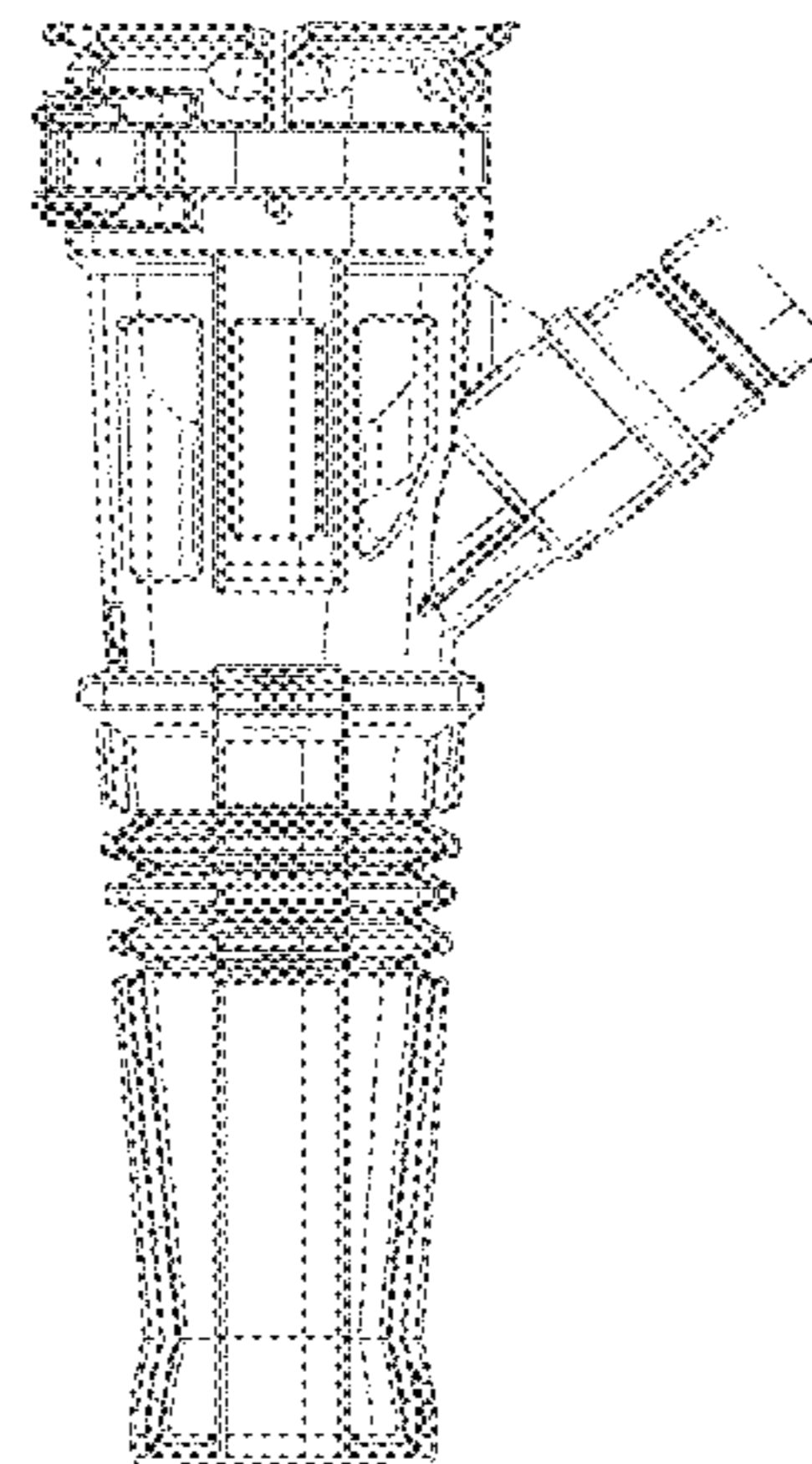
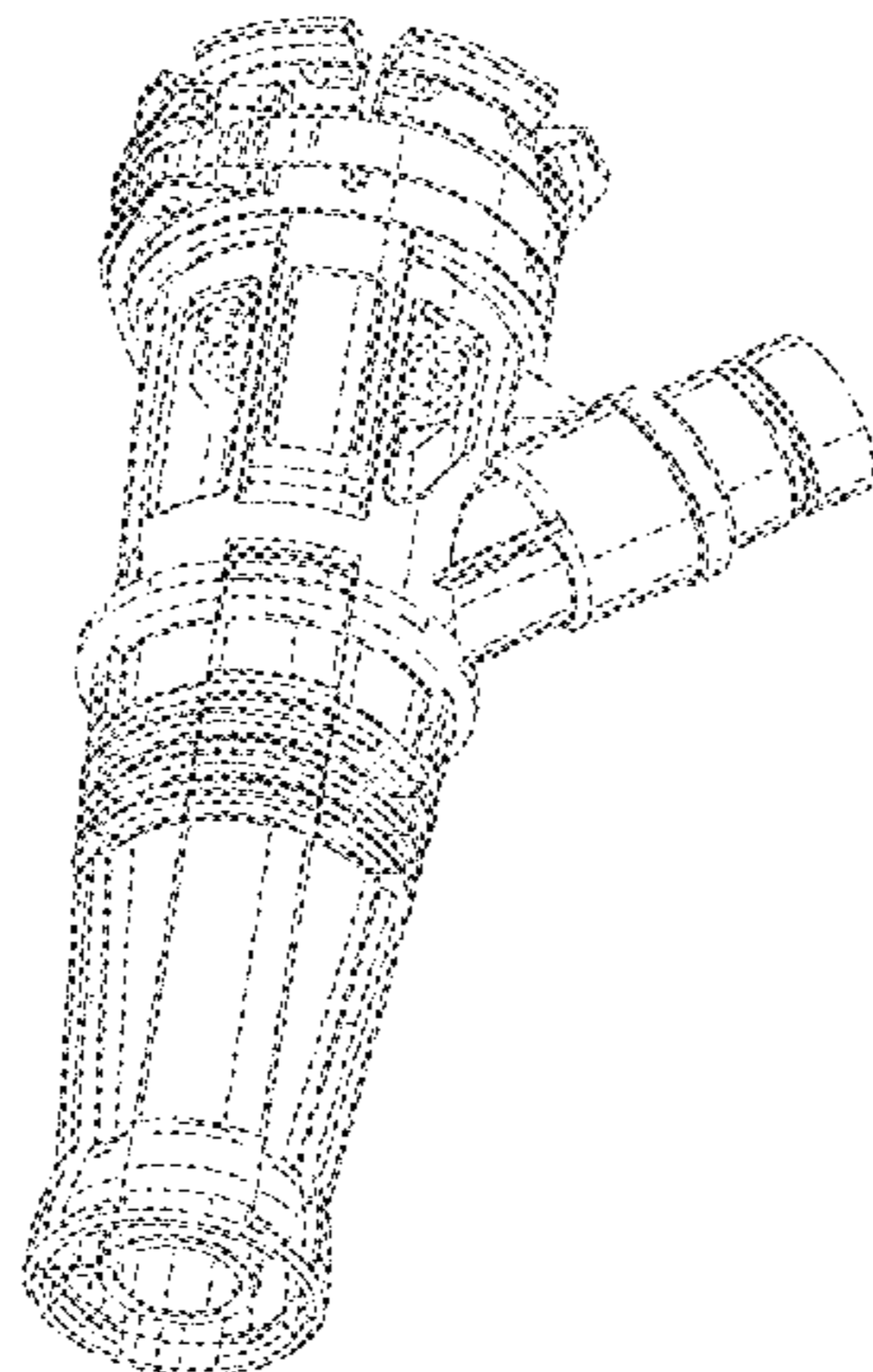
(57) **CLAIM**

The ornamental design for a dust extractor, as shown and described.

DESCRIPTION

FIG. 1 is a front perspective view of a dust extractor showing our new design;
FIG. 2 is a front view thereof;
FIG. 3 is a rear view thereof;
FIG. 4 is a left side view thereof;
FIG. 5 is a right side view thereof;
FIG. 6 is a top view thereof;
FIG. 7 is a bottom view thereof; and,
FIG. 8 is a rear perspective view thereof.
The broken lines in the figures illustrate features that form no part of the claimed design.

1 Claim, 8 Drawing Sheets



US D677,548 S

Page 2

U.S. PATENT DOCUMENTS

2009/0214307	A1*	8/2009	Nguyen	408/56	2011/0142561	A1*	6/2011	Hahn	408/56
2011/0008117	A1*	1/2011	Kasuya et al.	408/67	2011/0266015	A1*	11/2011	Ohlendorf et al.	173/198
2011/0008118	A1*	1/2011	Yoshikane et al.	408/67	2012/0142263	A1*	6/2012	Burdick et al.	454/66

* cited by examiner

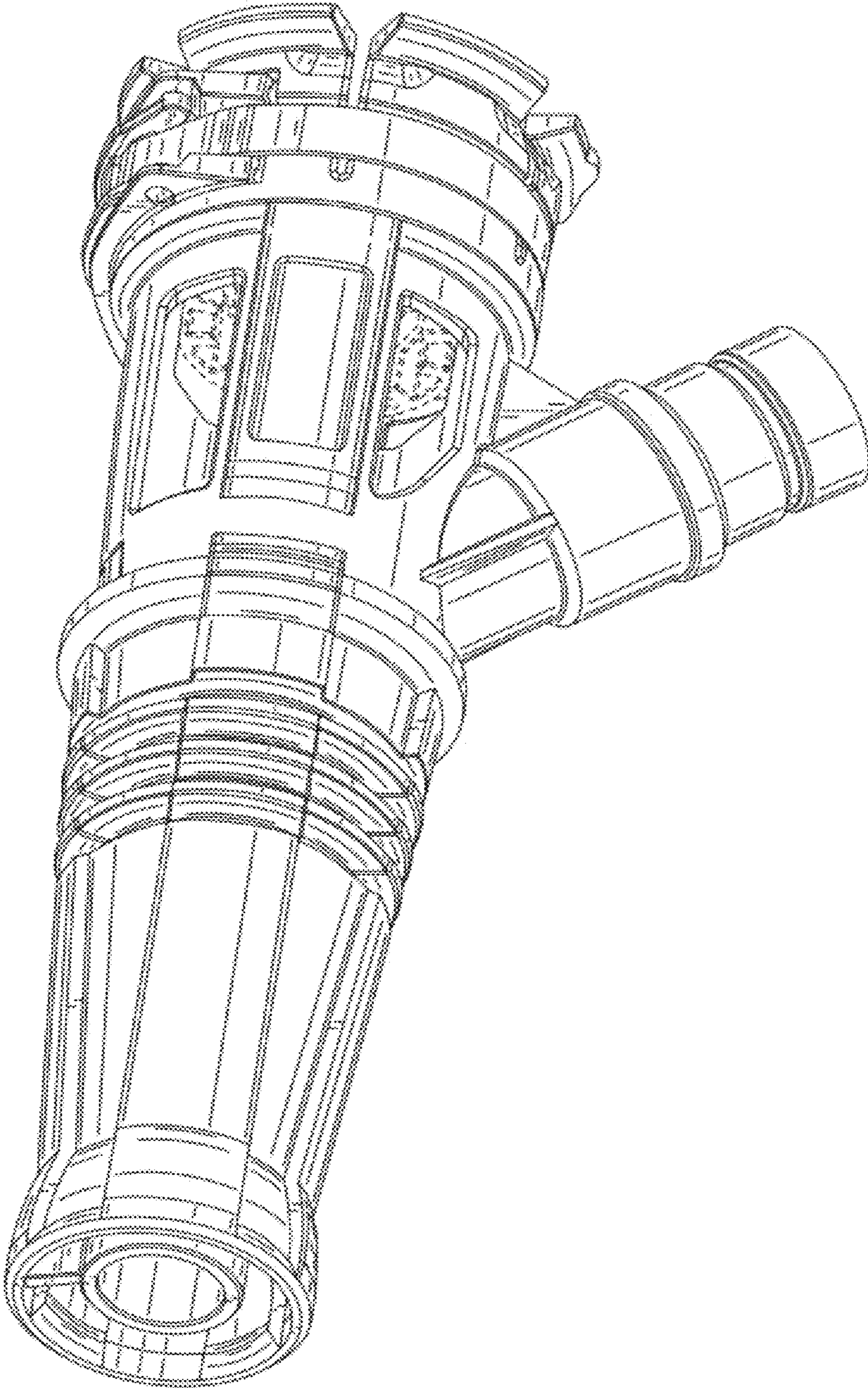


FIG. 1

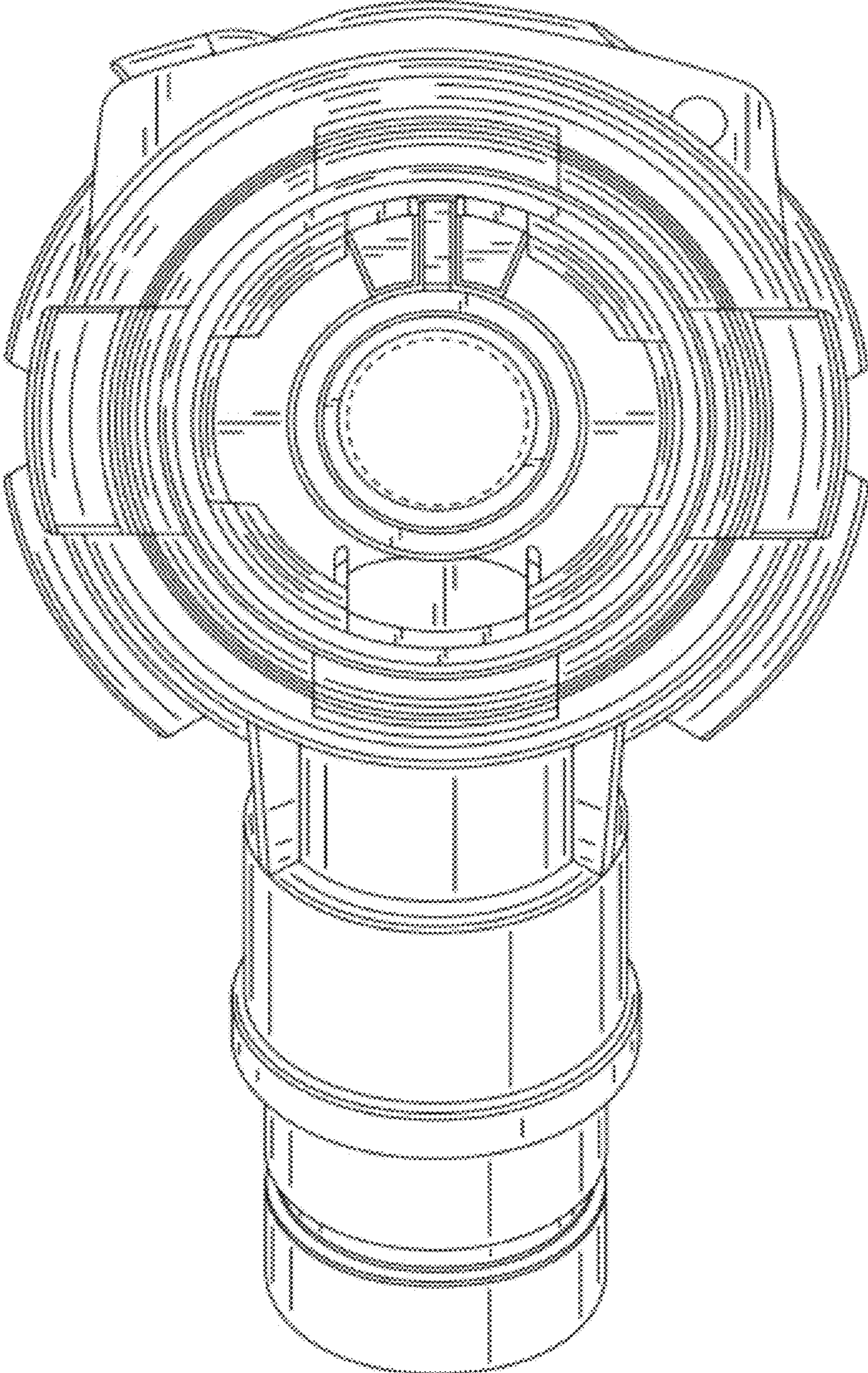


FIG. 2

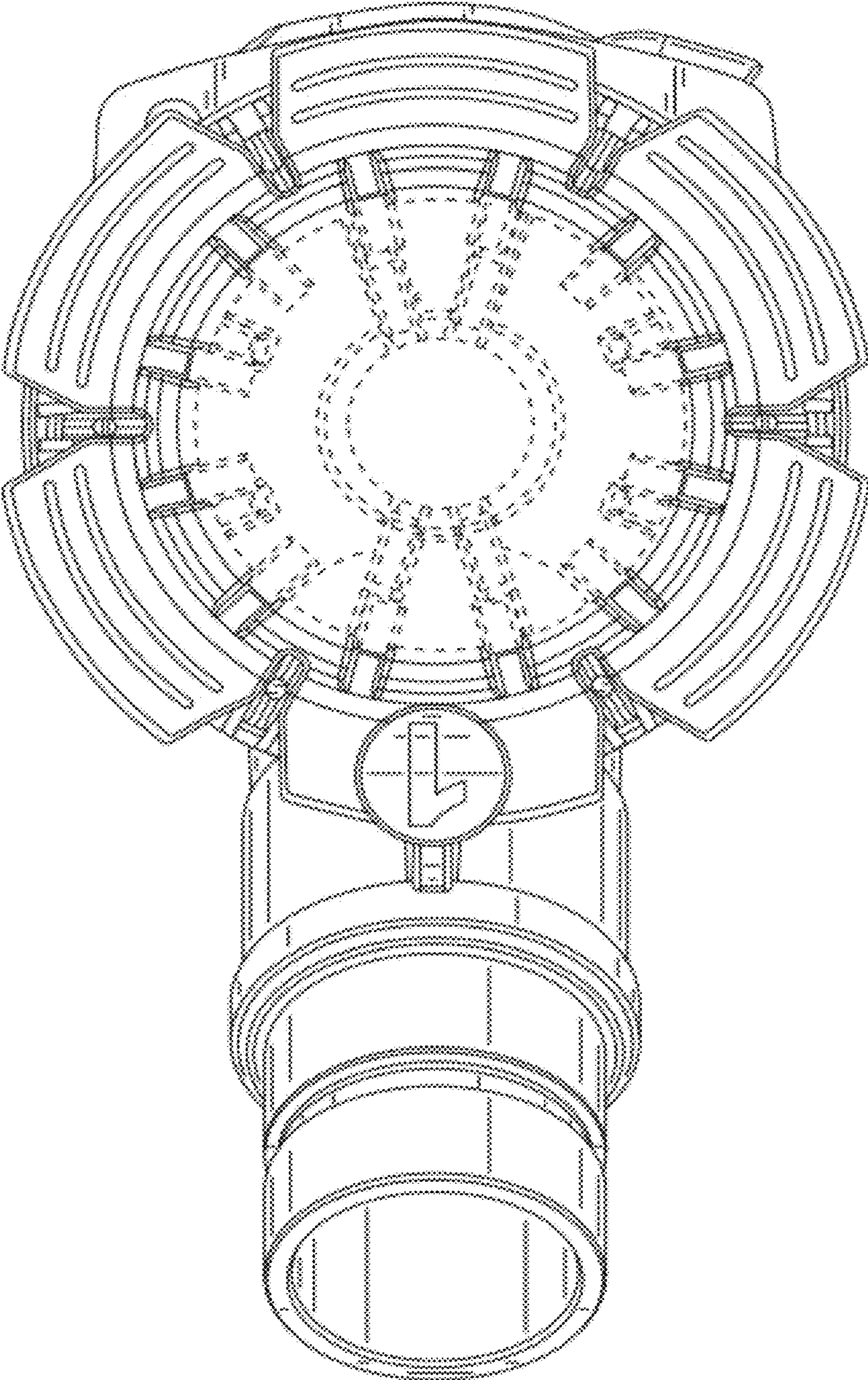


FIG. 3

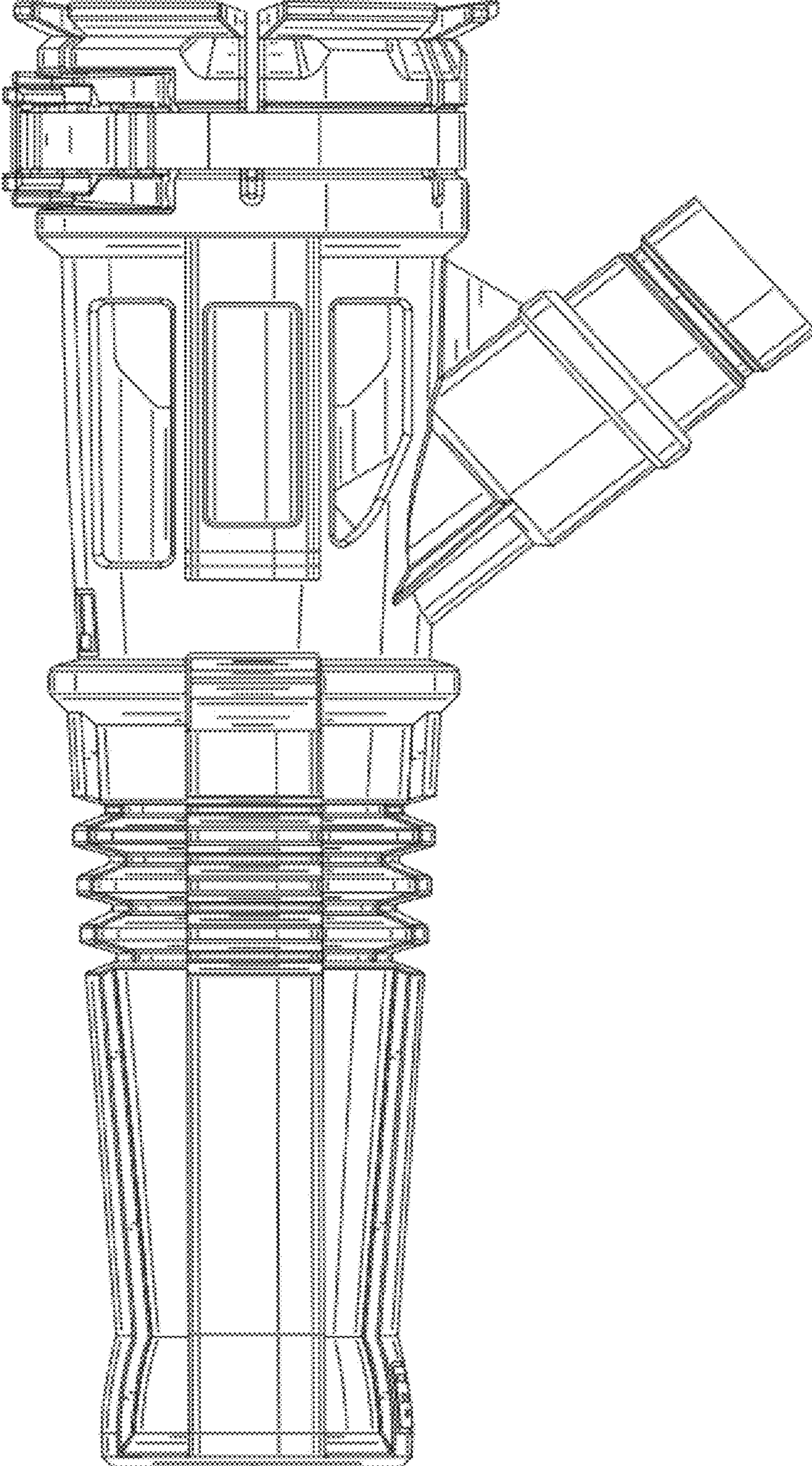


FIG. 4

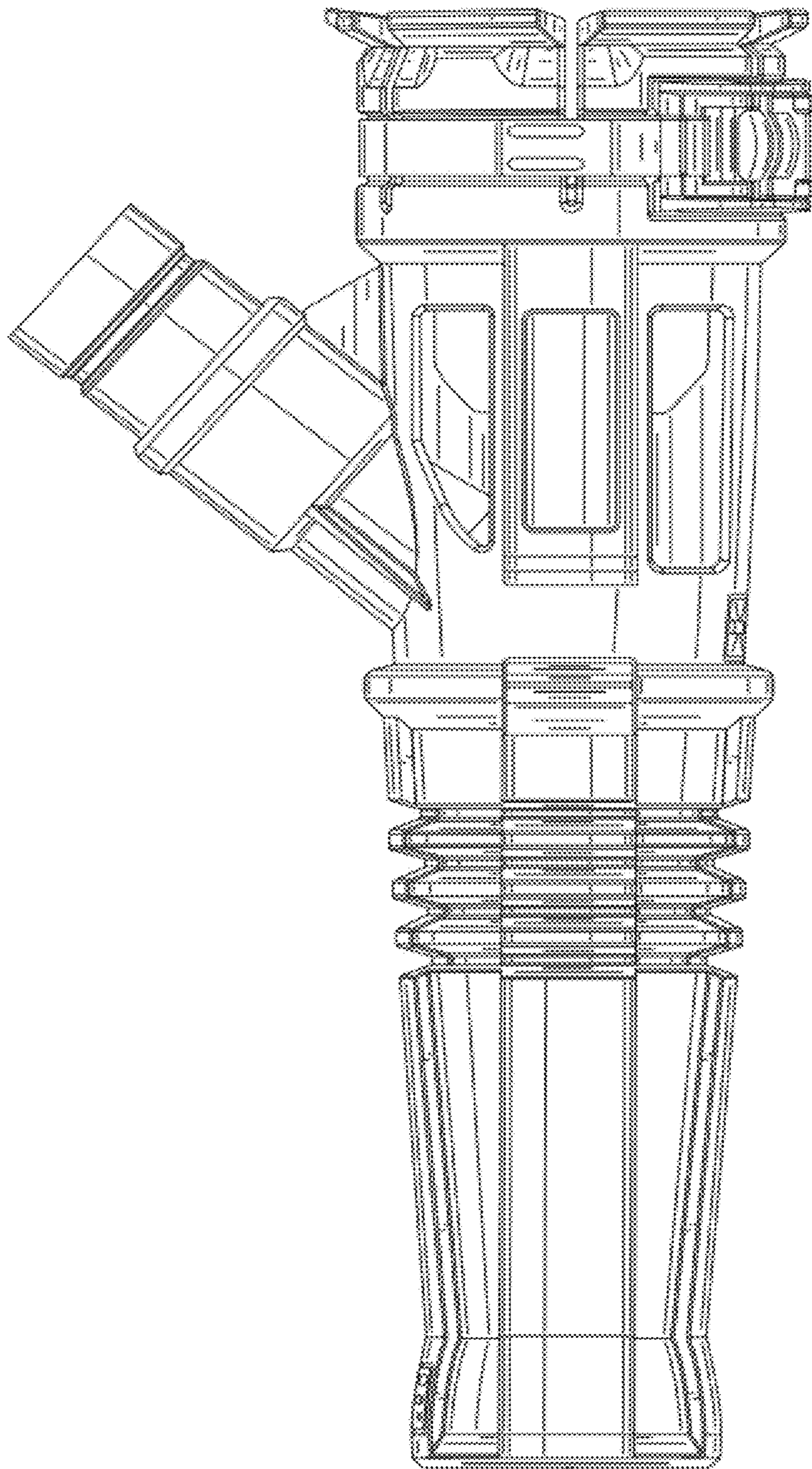


FIG. 5

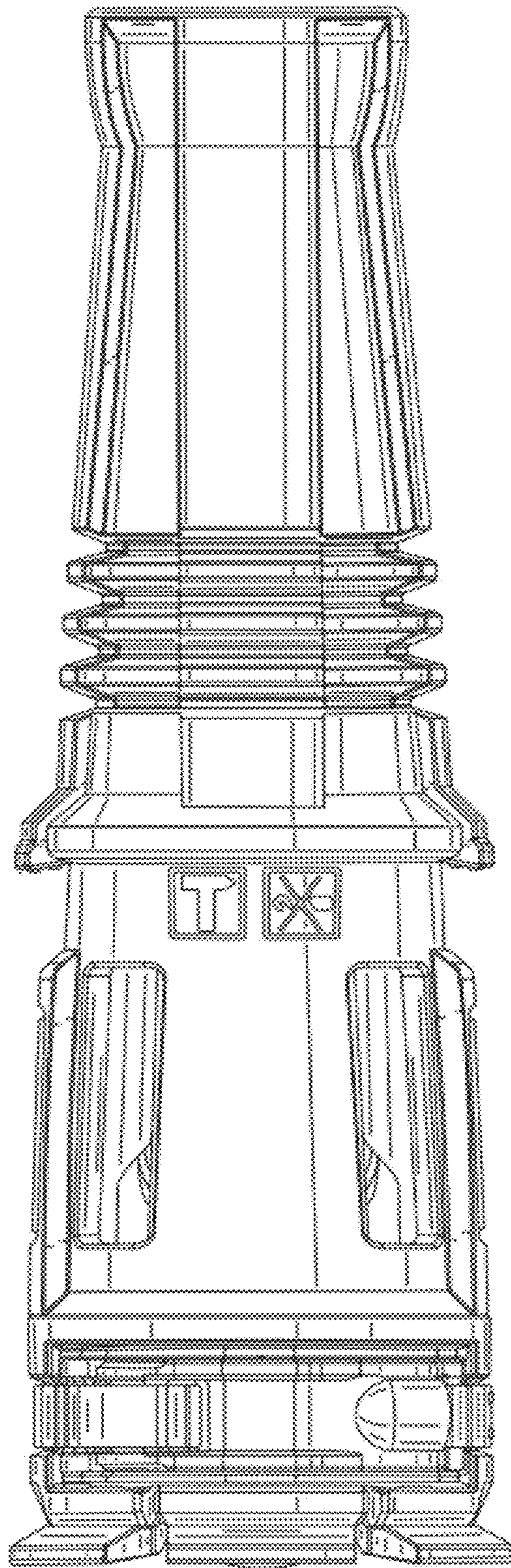


FIG. 6

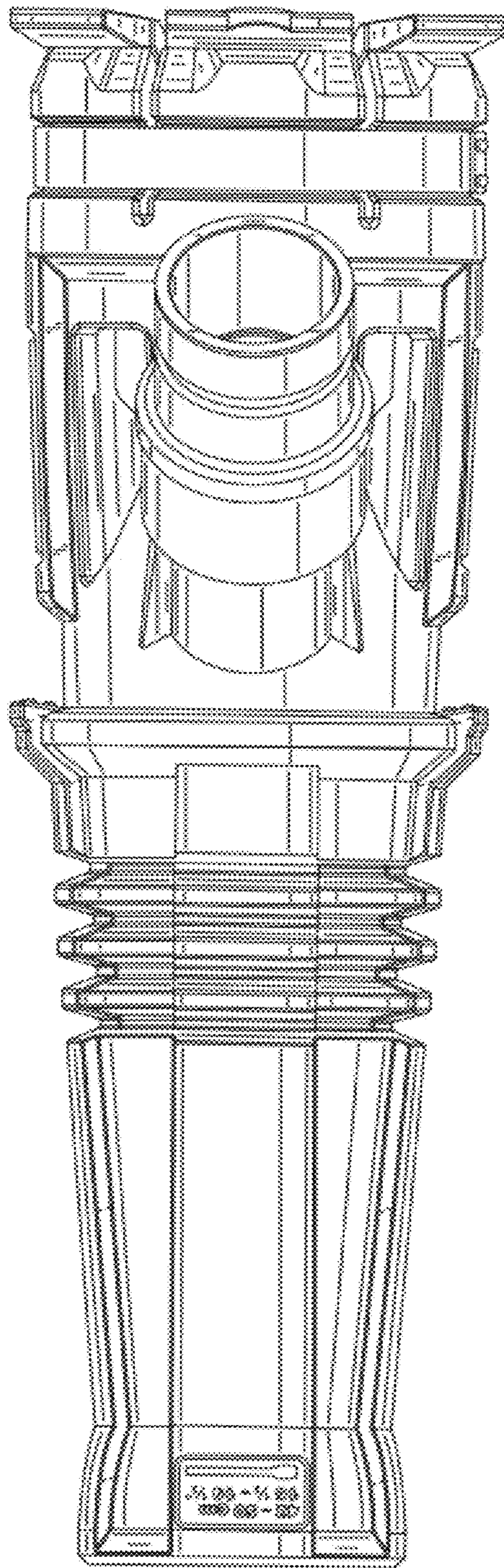


FIG. 7

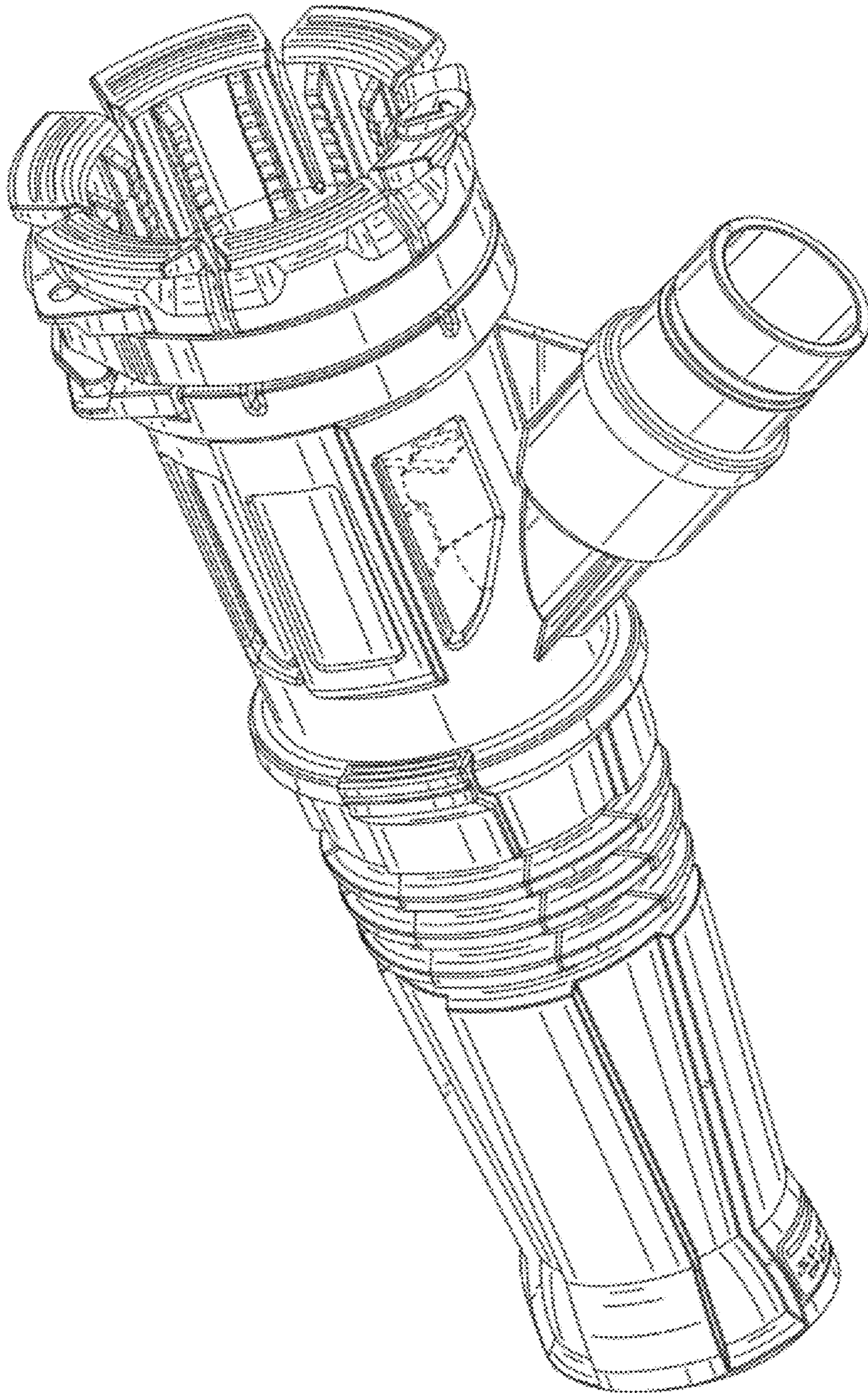


FIG. 8