



US00D677547S

(12) **United States Design Patent**
Rosenau et al.

(10) **Patent No.:** **US D677,547 S**
(45) **Date of Patent:** **** Mar. 12, 2013**

(54) **DUST EXTRACTOR**

(75) Inventors: **Isabell Rosenau**, Frankfurt am Main (DE); **Alexander Foerster**, Wiesbaden (DE); **Norbert Hahn**, Hunstetten-Limbach (DE); **Stefan Sell**, Mainz (DE)

(73) Assignee: **Black & Decker Inc.**, Newark, DE (US)

(**) Term: **14 Years**

(21) Appl. No.: **29/396,816**

(22) Filed: **Jul. 7, 2011**

(30) **Foreign Application Priority Data**

Jan. 12, 2011 (EM) 001254320

- (51) **LOC (9) Cl.** **08-01**
- (52) **U.S. Cl.** **D8/70**
- (58) **Field of Classification Search** D32/21, D32/23-24, 3-33, 17, 182; D23/213; 408/67, 408/56, 58-61; D8/70, 61, 69, 80, 105, 499; D15/138; 173/198; 454/49, 66; 144/252.1; 451/453, 456

See application file for complete search history.

(56) **References Cited**

U.S. PATENT DOCUMENTS

- 3,850,254 A * 11/1974 Hirdes 173/75
- 4,064,952 A * 12/1977 Lechner 175/209
- D267,906 S * 2/1983 Parise et al. D32/31
- D270,298 S * 8/1983 Ayukawa et al. D32/21
- D294,413 S * 2/1988 Berfield et al. D32/31
- D294,414 S * 2/1988 Berfield et al. D32/31
- D299,772 S * 2/1989 Smith D32/31
- D300,574 S * 4/1989 Smith D32/31
- 4,848,980 A * 7/1989 Broussard 408/67
- D305,607 S * 1/1990 Andrews D8/70
- 5,090,499 A * 2/1992 Cuneo 175/209
- 5,129,467 A * 7/1992 Watanabe et al. 173/75
- D346,248 S * 4/1994 Patterson D32/31
- D374,524 S * 10/1996 Harris D32/32
- D376,526 S * 12/1996 Hepburn D8/70
- D384,453 S * 9/1997 Bartz D32/31

- D386,845 S * 11/1997 Wareham et al. D32/32
- D392,531 S * 3/1998 Richardson D8/70
- D400,325 S * 10/1998 Broecking D32/33
- D407,094 S * 3/1999 Meredith et al. D15/133
- 5,988,954 A * 11/1999 Gaskin et al. 408/67
- 6,053,674 A * 4/2000 Thompson 408/67
- D499,625 S * 12/2004 Stirm D8/70
- D499,946 S * 12/2004 Stirm D8/70
- 6,854,937 B1 * 2/2005 Weiss 409/137
- 6,887,146 B2 * 5/2005 Staas et al. 454/66
- D513,161 S * 12/2005 Chilton D8/70
- 6,996,871 B1 * 2/2006 Policicchio 15/228
- D529,356 S * 10/2006 Goto D8/62
- 7,182,150 B2 * 2/2007 Grossman 173/198
- D558,410 S * 12/2007 Hill et al. D32/21
- 7,425,109 B2 * 9/2008 Simm et al. 408/67
- D589,318 S * 3/2009 Meyer D8/70
- D590,227 S * 4/2009 Yun D8/70
- D593,389 S * 6/2009 Clayton D8/70
- D614,678 S * 4/2010 Jorgensen et al. D15/138
- D636,547 S * 4/2011 Moore, Jr. D32/24
- D649,309 S * 11/2011 Mauchle et al. D23/213
- 2009/0148248 A1 * 6/2009 Nishikawa et al. 408/67
- 2009/0214307 A1 * 8/2009 Nguyen 408/56
- 2010/0200117 A1 * 8/2010 Glogger et al. 144/252.1
- 2011/0008117 A1 * 1/2011 Kasuya et al. 408/67
- 2011/0008118 A1 * 1/2011 Yoshikane et al. 408/67
- 2011/0142561 A1 * 6/2011 Hahn 408/56

* cited by examiner

Primary Examiner — Ruth McInroy

(74) *Attorney, Agent, or Firm* — Kofi A. Schulterbrandt; Scott B. Markow; Adan Ayala

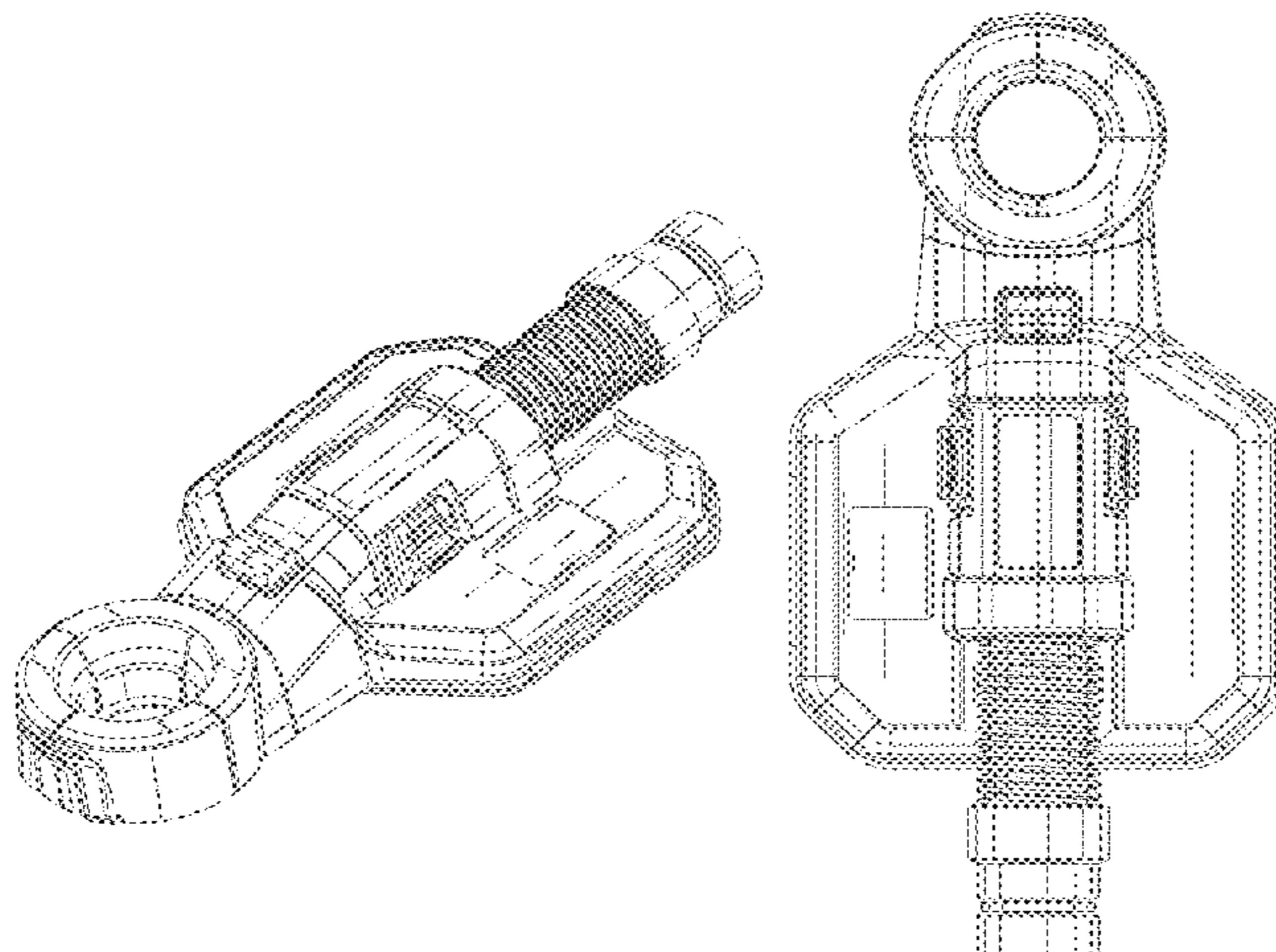
(57) **CLAIM**

The ornamental design for a dust extractor, as shown and described.

DESCRIPTION

FIG. 1 is a perspective view of a dust extractor showing our new design;
FIG. 2 is a top view thereof;
FIG. 3 is a bottom view thereof;
FIG. 4 is a rear view thereof;
FIG. 5 is a front view thereof;
FIG. 6 is a right side view thereof; and,
FIG. 7 is a left side view thereof.

1 Claim, 7 Drawing Sheets



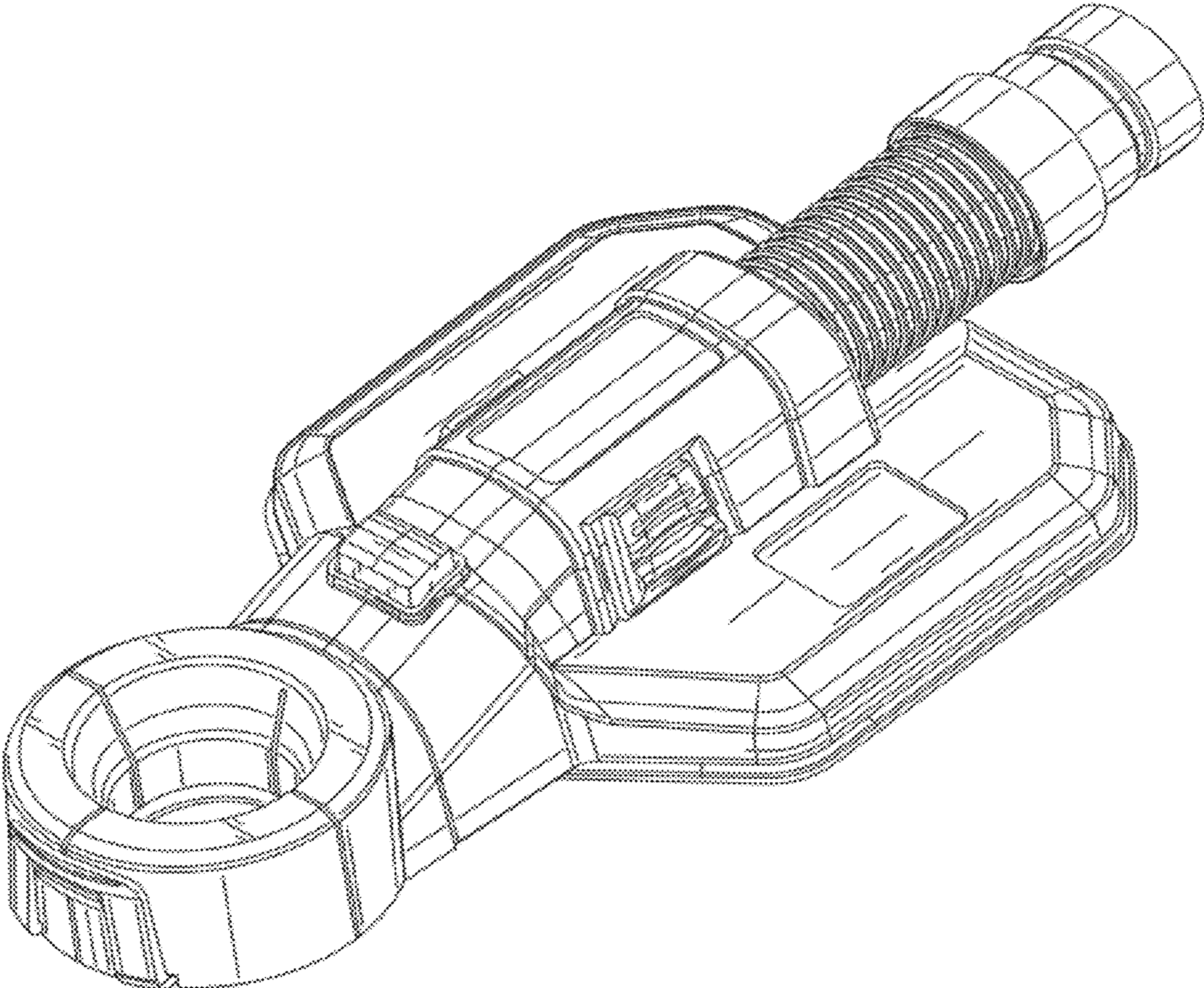


FIG. 1

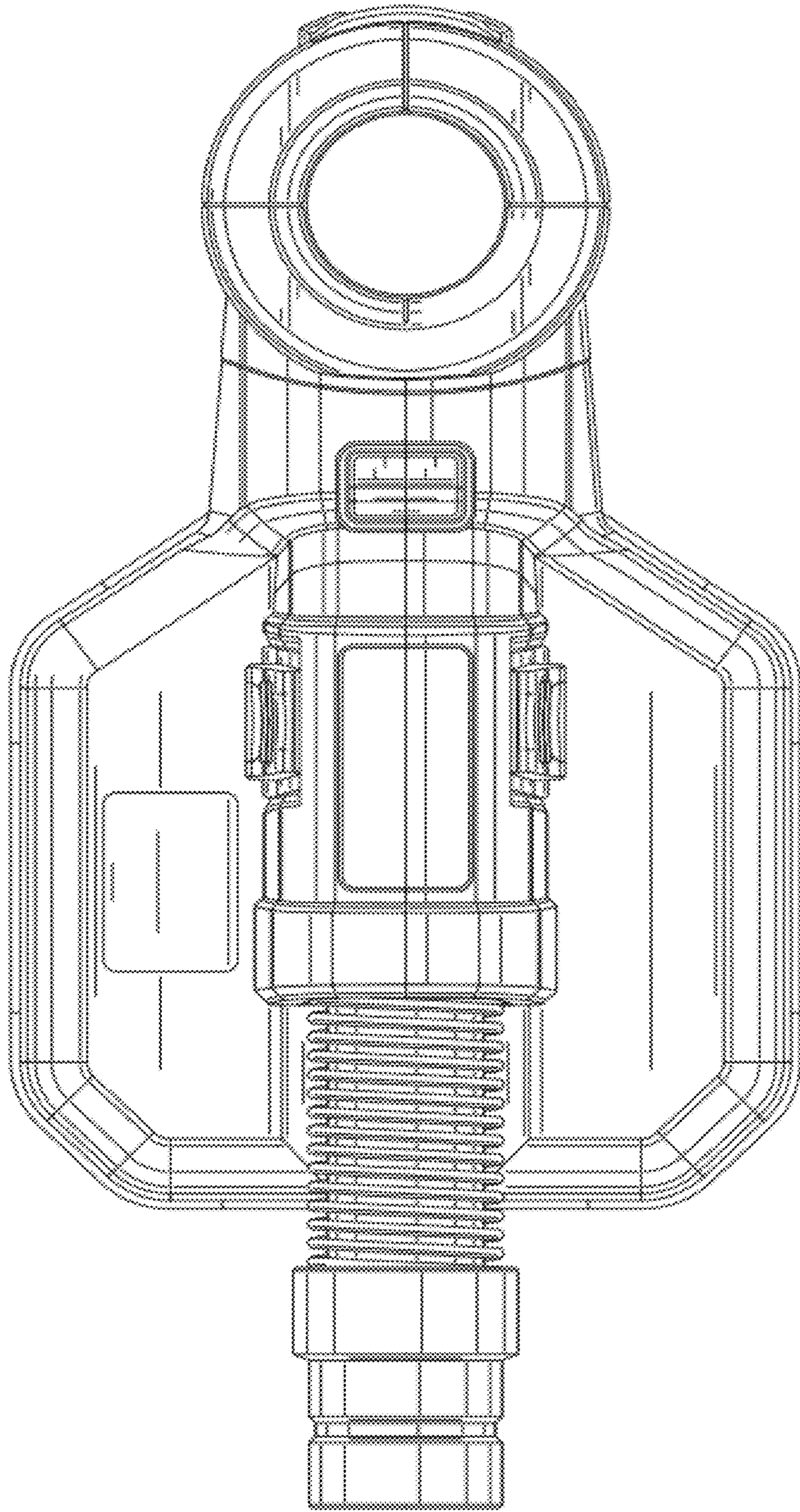


FIG. 2

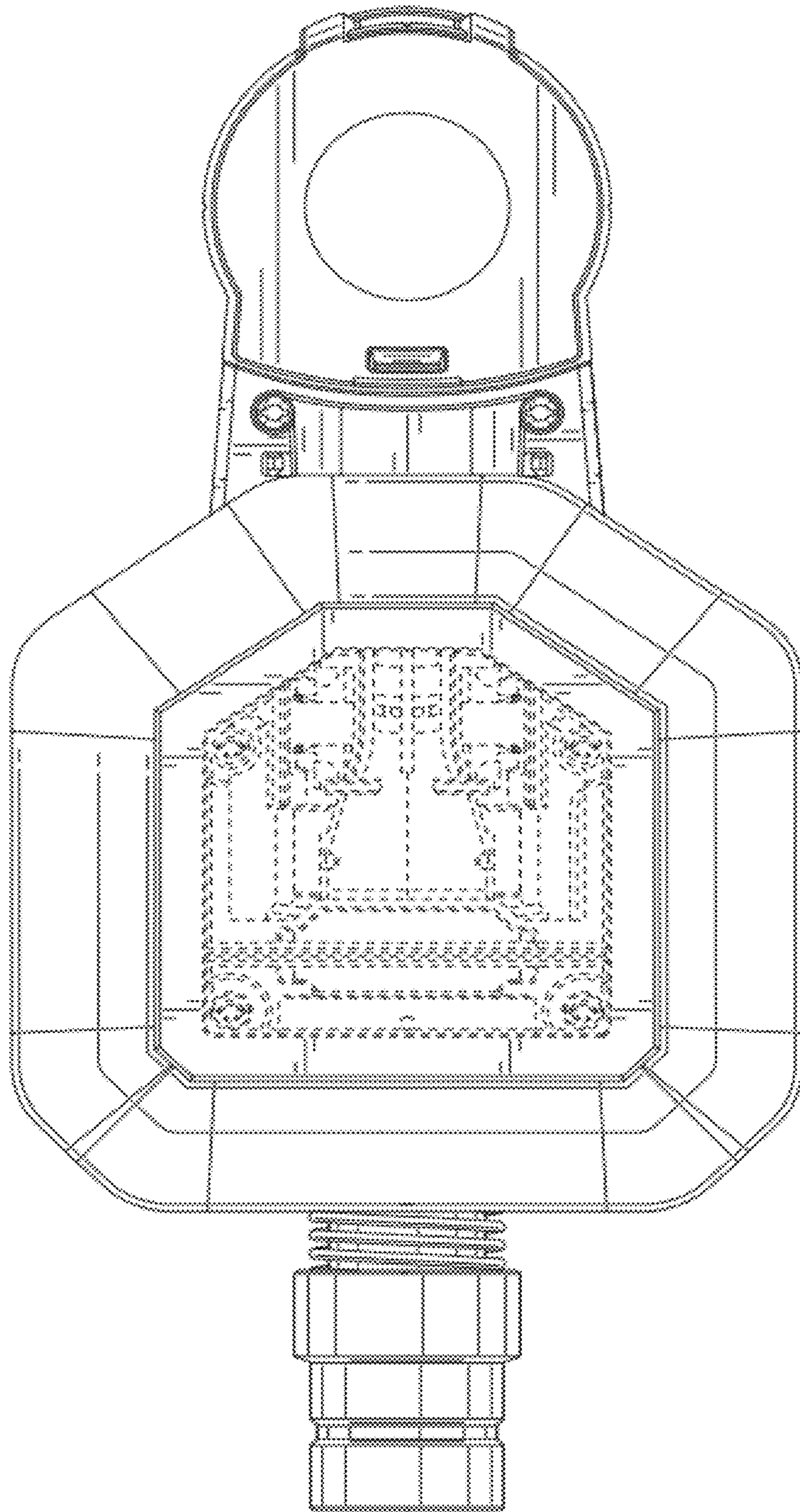


FIG. 3

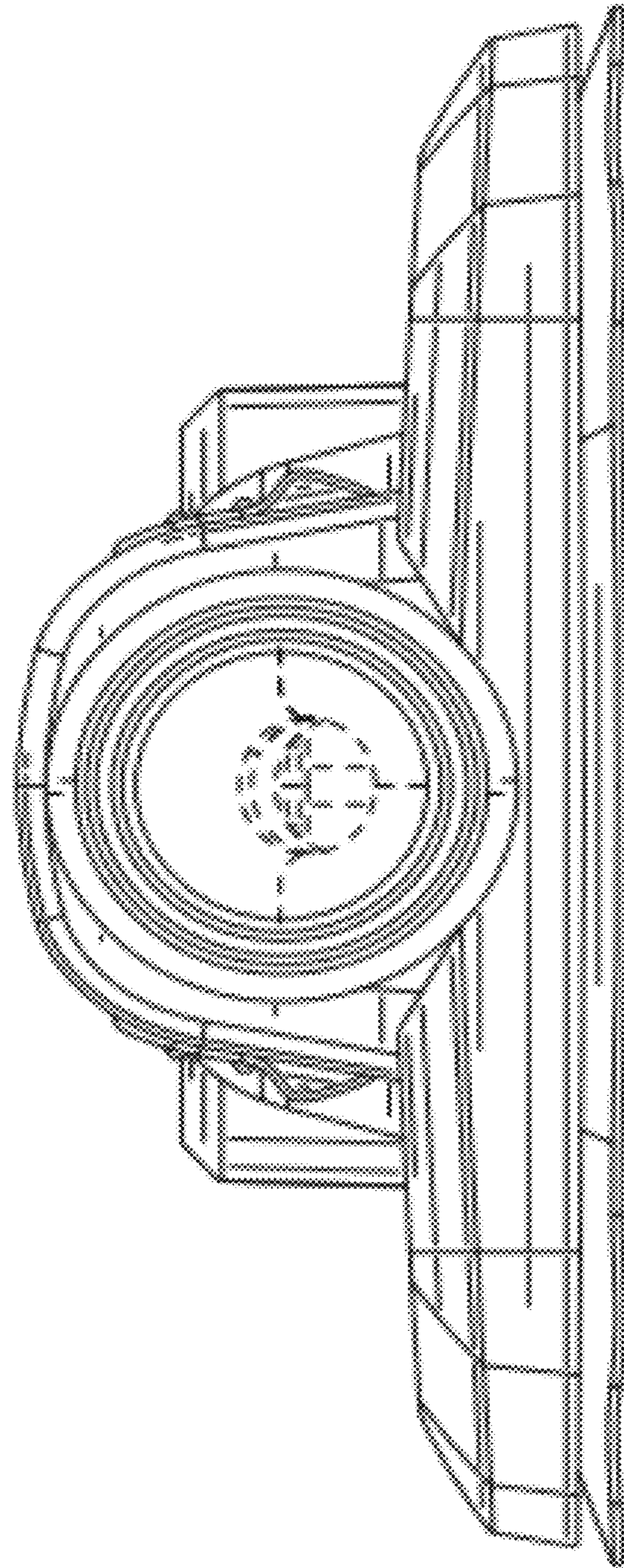


FIG. 4

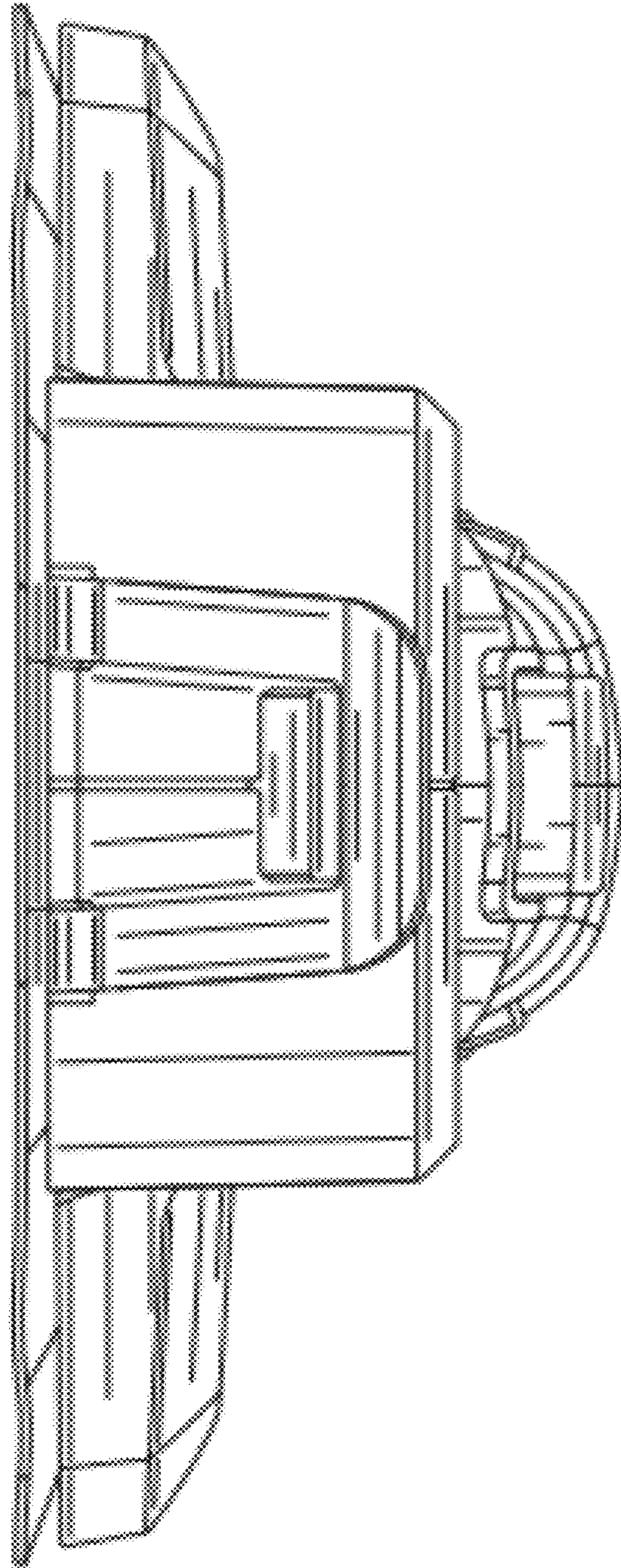


FIG. 5

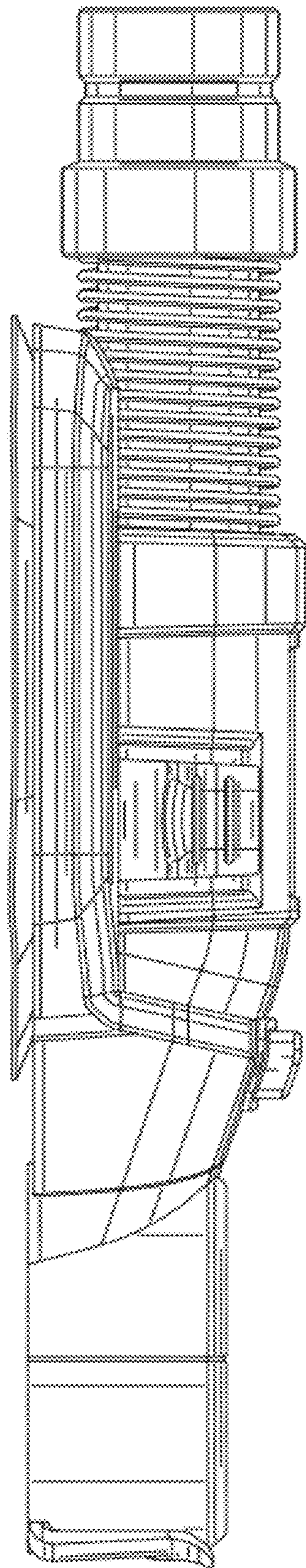


FIG. 6

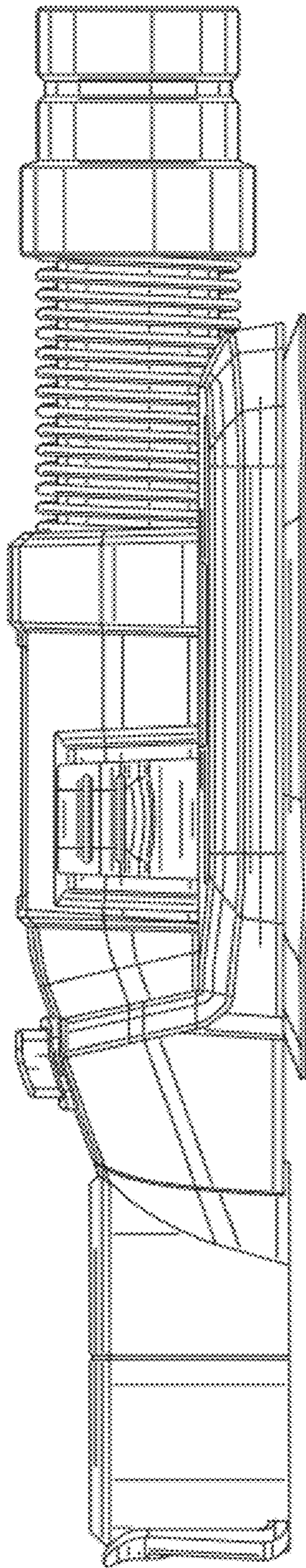


FIG. 7