



US00D677544S

(12) **United States Design Patent**
Jerabek et al.

(10) **Patent No.:** **US D677,544 S**
(45) **Date of Patent:** **** Mar. 12, 2013**

- (54) **STRAIGHT FINISH NAILER**
 - (75) Inventors: **Jesse J. Jerabek**, Anderson, SC (US);
Hans E. Nutz, Easley, SC (US)
 - (73) Assignee: **Techtronic Power Tools Technology Limited**, Tortola (VG)
 - (**) Term: **14 Years**
 - (21) Appl. No.: **29/409,052**
 - (22) Filed: **Dec. 20, 2011**
 - (51) **LOC (9) Cl.** **08-03**
 - (52) **U.S. Cl.** **D8/68**
 - (58) **Field of Classification Search** D8/61-70;
173/2, 13, 46, 109, 110, 114, 170, 178, 198,
173/214, 217; 227/8, 113, 114, 120, 130,
227/136, 142; 408/20, 35, 58, 67, 117, 124,
408/125, 234, 241 R; 429/92; 318/139;
362/119
- See application file for complete search history.

(56) **References Cited**

U.S. PATENT DOCUMENTS

D316,022 S *	4/1991	Moraht	D8/69
D434,628 S *	12/2000	Etter et al.	D8/68
D461,694 S *	8/2002	Buck	D8/68
D475,597 S *	6/2003	Arai	D8/68
D477,513 S *	7/2003	Bor	D8/68
6,913,180 B2 *	7/2005	Schuster	227/109
D512,622 S *	12/2005	Thomas	D8/69
D549,062 S *	8/2007	Buck	D8/69
D591,131 S *	4/2009	Buck	D8/69
D591,576 S *	5/2009	Buck	D8/68
2006/0249554 A1 *	11/2006	Butzen et al.	227/130
2008/0023517 A1 *	1/2008	Wojcicki	227/120
2010/0206933 A1 *	8/2010	Wu et al.	227/8

FOREIGN PATENT DOCUMENTS

CN	201913617 U *	8/2011
JP	2002346949 A *	12/2002
JP	2002346950 A *	12/2002

JP	2006075960 A *	3/2006
WO	WO 2008023590 A1 *	2/2008
WO	WO 2009101891 A1 *	8/2009

OTHER PUBLICATIONS

Alltrade Tools LLC, 840750 Kawasaki™ 18 Gauge 1 1/4" Brad Nailer, Dec. 4, 2010 [online]. [Retrieved Aug. 28, 2012]. Retrieved from Internet: <URL: <http://www.alltradetools.com/catalog/nailers-staplers/45-840750-kawasaki-18-gauge-1-1-4-brad-nailer.html>>.*

ITW Industrial Fastening, Duo-Fast SureShot® 4450 Duo-Fast Model 501670, Dec. 5, 2008 [online]. [Retrieved Aug. 28, 2012]. Retrieved from Internet: <URL: <http://www.itwindfast.com/tools/index.cfm/toolID/4/Nailers/Finish/SureShote®-4450/>>.*

Grizzly Industrial®, Inc., Grizzly H5527 18 Gauge Brad Nailer Kit, Jan. 7, 2006 [online]. [Retrieved Aug. 28, 2012]. Retrieved from Internet: <URL: <http://www.grizzly.com/products/H5527>>.*

(Continued)

Primary Examiner — Philip S Hyder
Assistant Examiner — Darlington Ly
(74) *Attorney, Agent, or Firm* — Michael Best & Friedrich LLP

(57) **CLAIM**

We claim the ornamental design for a straight finish nailer, as shown and described.

DESCRIPTION

FIG. 1 is a front perspective view of a straight finish nailer according to an embodiment of the invention.

FIG. 2 is a left-side view of the straight finish nailer of FIG. 1.

FIG. 3 is a right-side view of the straight finish nailer of FIG. 1.

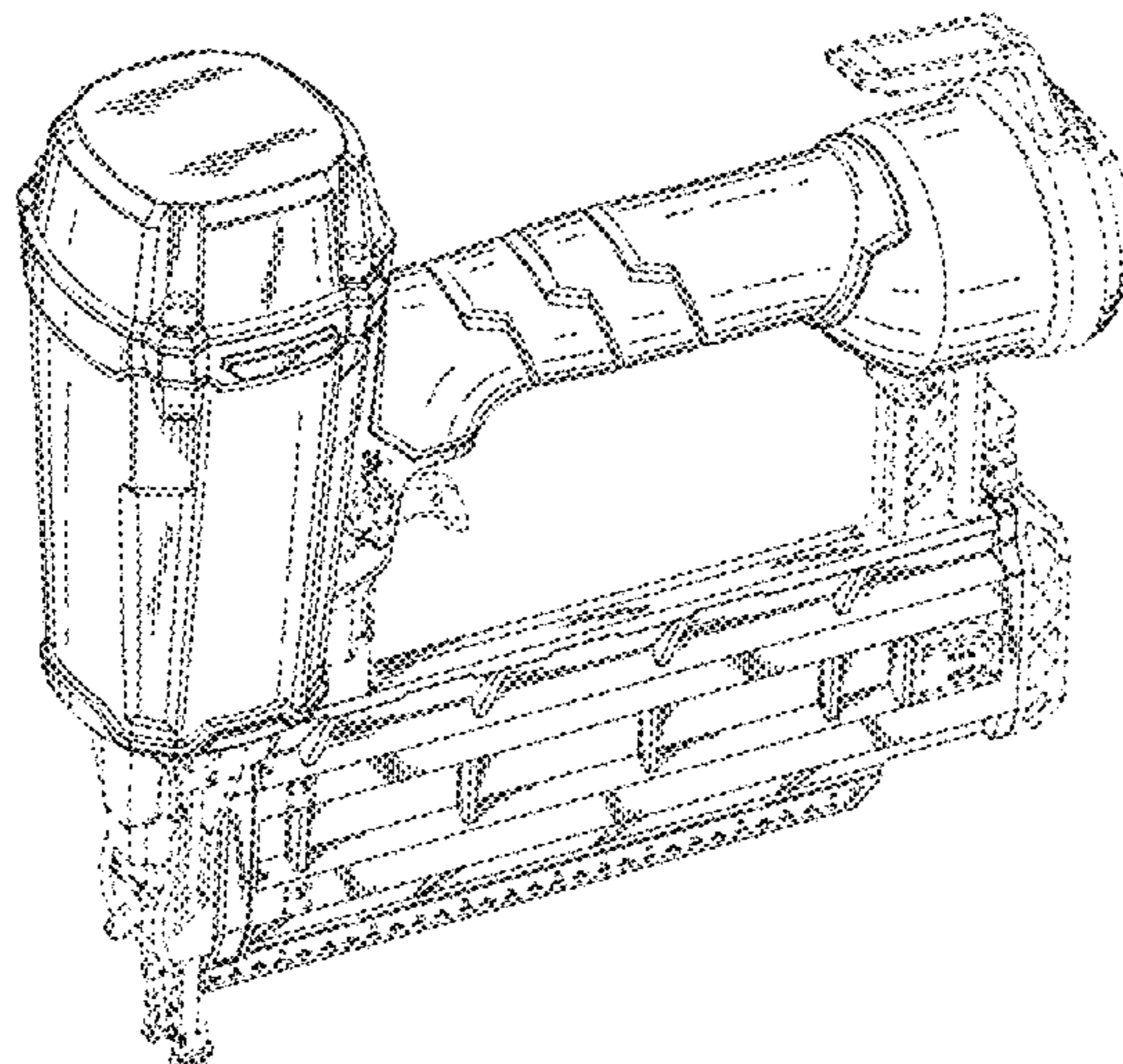
FIG. 4 is a front view of the straight finish nailer of FIG. 1.

FIG. 5 is a rear view of the straight finish nailer of FIG. 1.

FIG. 6 is a top view of the straight finish nailer of FIG. 1; and, FIG. 7 is a bottom view of the straight finish nailer of FIG. 1.

The portions of the straight finish nailer shown in broken lines are included for the purpose of illustrating environment and form no part of the claimed design.

1 Claim, 5 Drawing Sheets



OTHER PUBLICATIONS

Stanley Black & Decker, Inc., Bostitch FN16250K-2—16 Gauge Oil-free Finish Nailer Kit, Nov. 10, 2006 [online]. [Retrieved Aug. 28, 2012]. Retrieved from Internet: <URL: <http://www.bostitch.com/default.asp?TYPE=PRODUCT&CATEGORY=BOS%5FNEW%5FPRODUCTS&PARTNUMBER=FN16250K-2>>.*

Ridgid 2½ in. 16-Gauge Straight Finish Nailer R250SFA, Home Depot, Retrieved from Internet on Mar. 20, 2012 <URL: http://www.homedepot.com/Tools-Hardware-Air-Nailers-Nails/RIDGID/h_d1/N-5yc1vZbl93Z18g/R-100348526/h_d2/ProductDisplay?catalogId=10053&langId=-1&storeId=10051>.

* cited by examiner

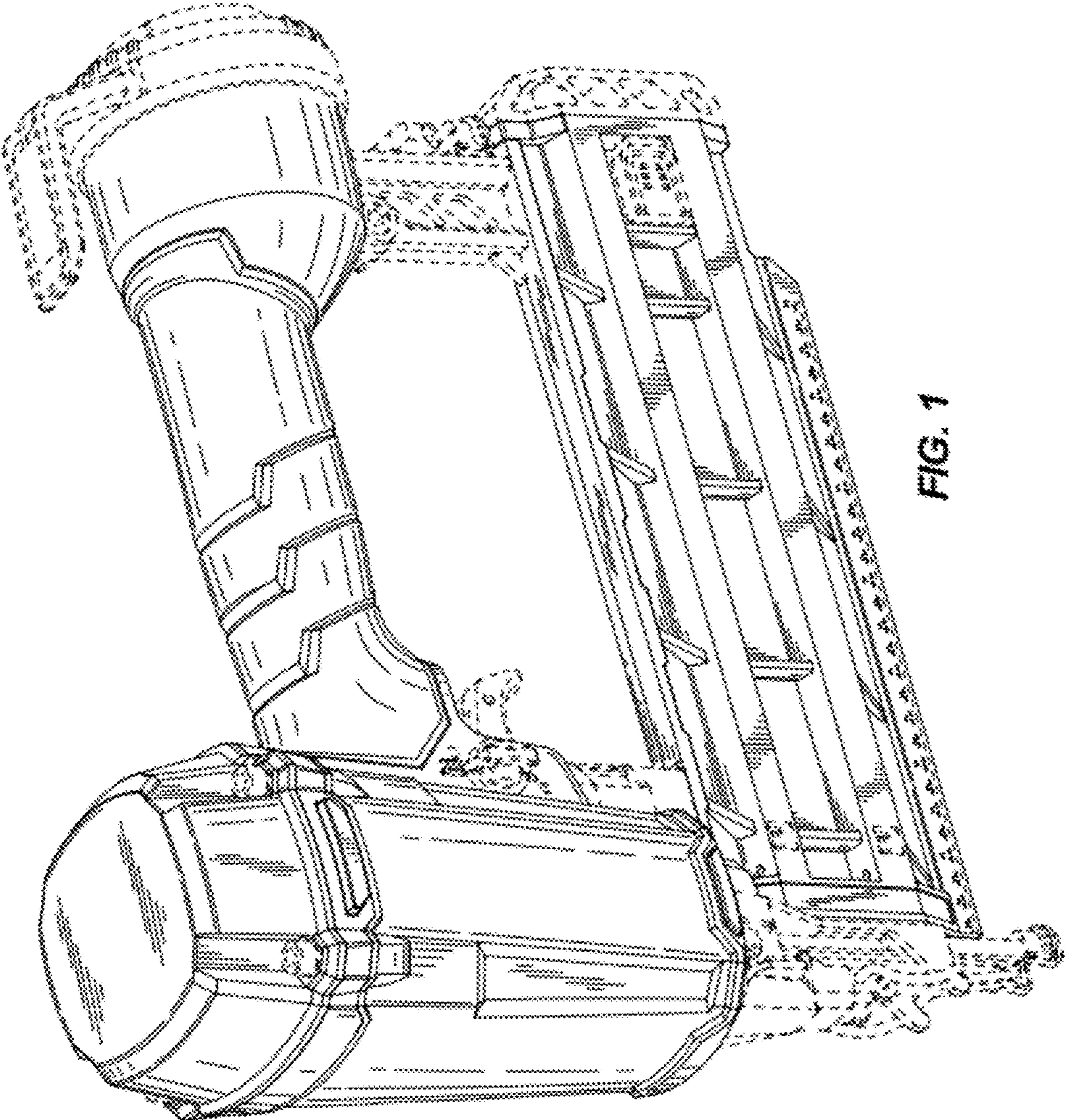


FIG. 1

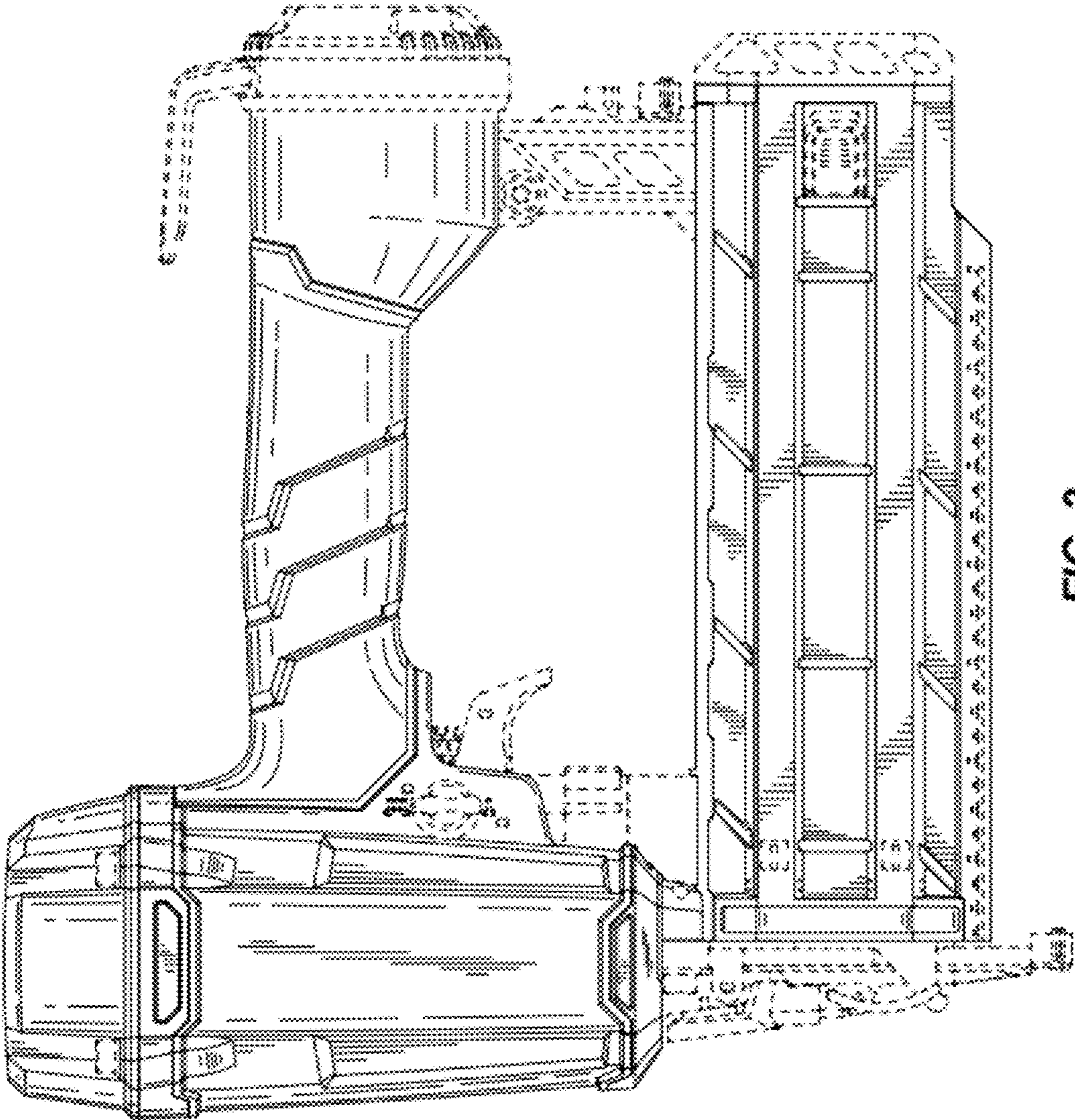


FIG. 2

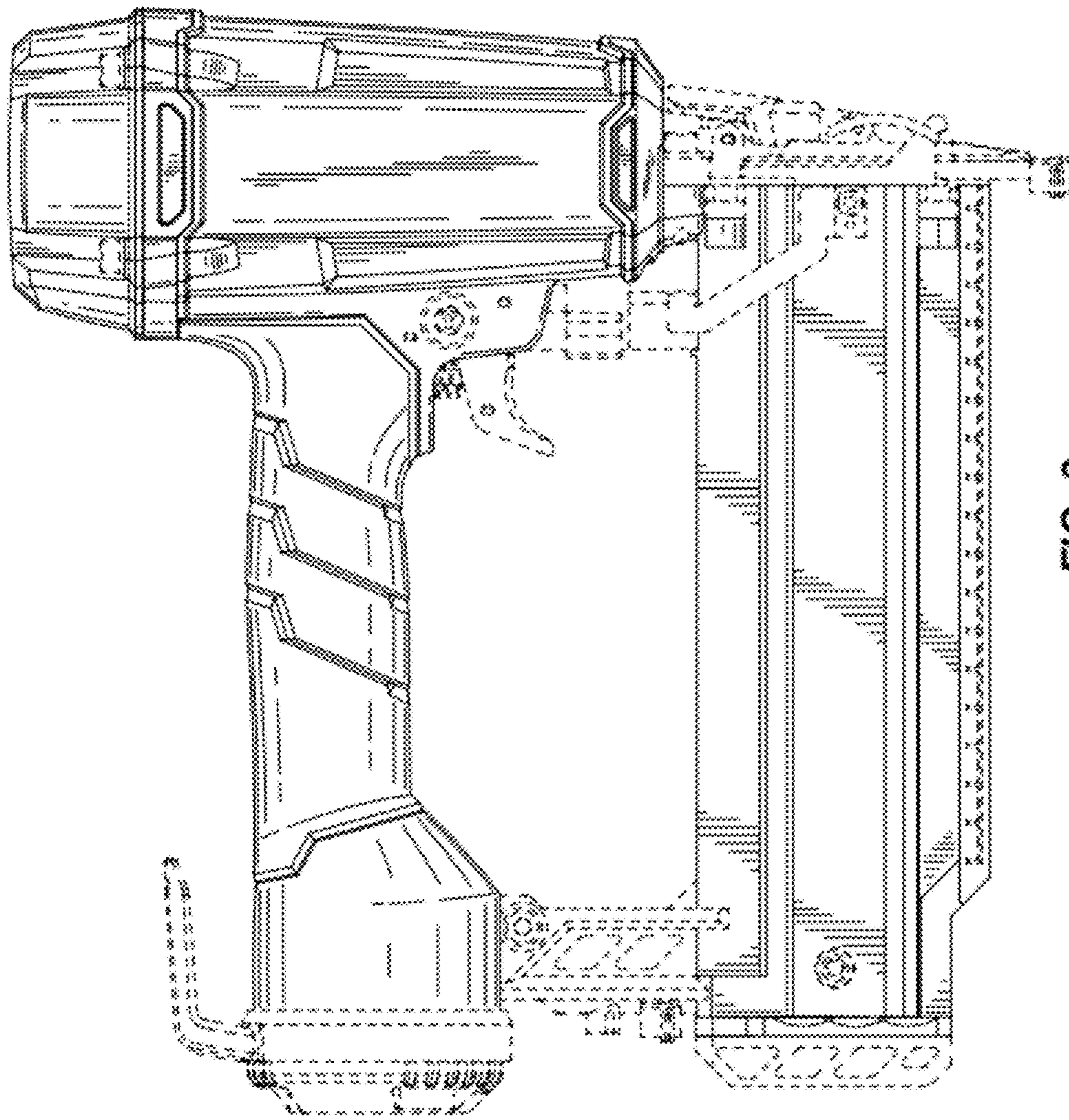


FIG. 3

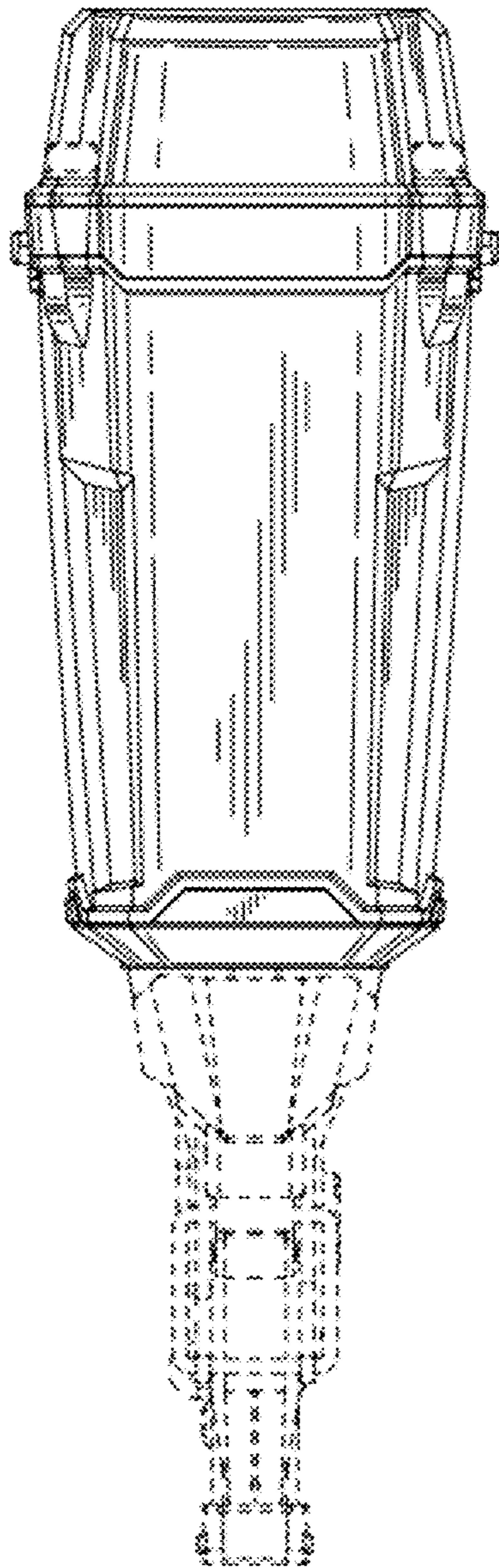


FIG. 4

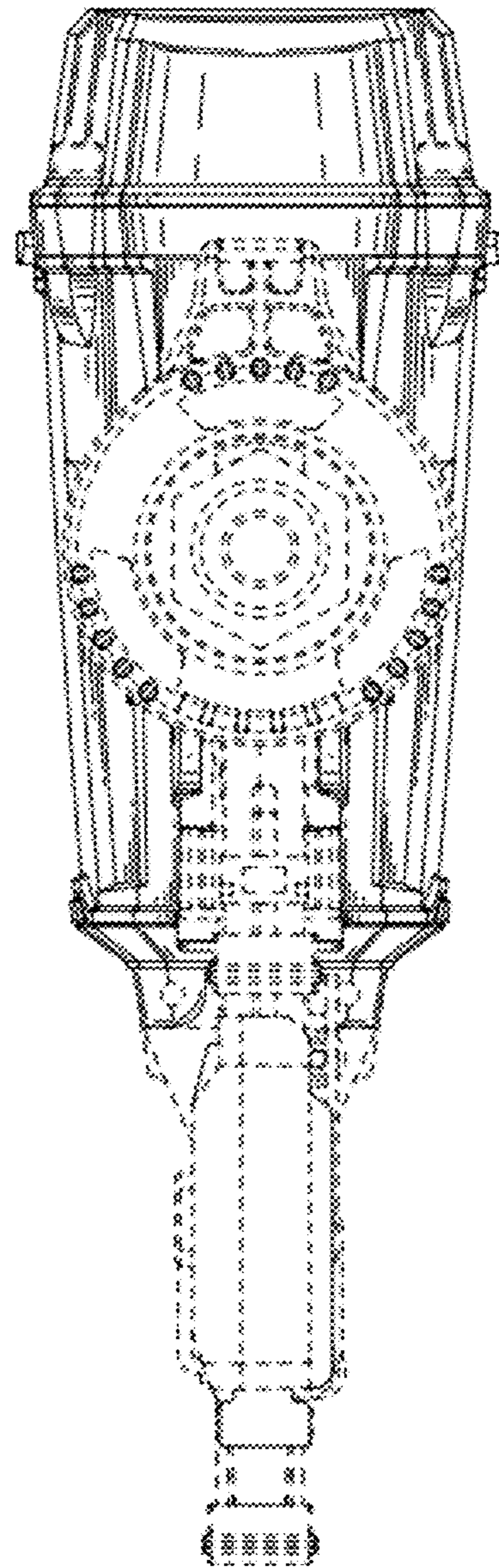


FIG. 5

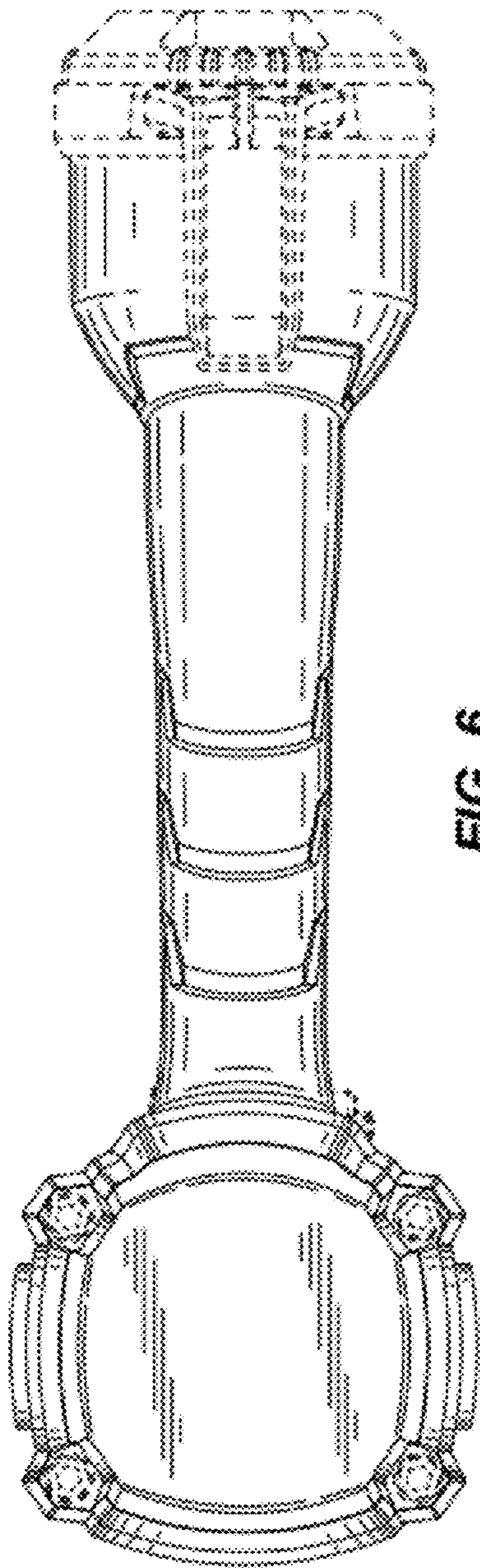


FIG. 6

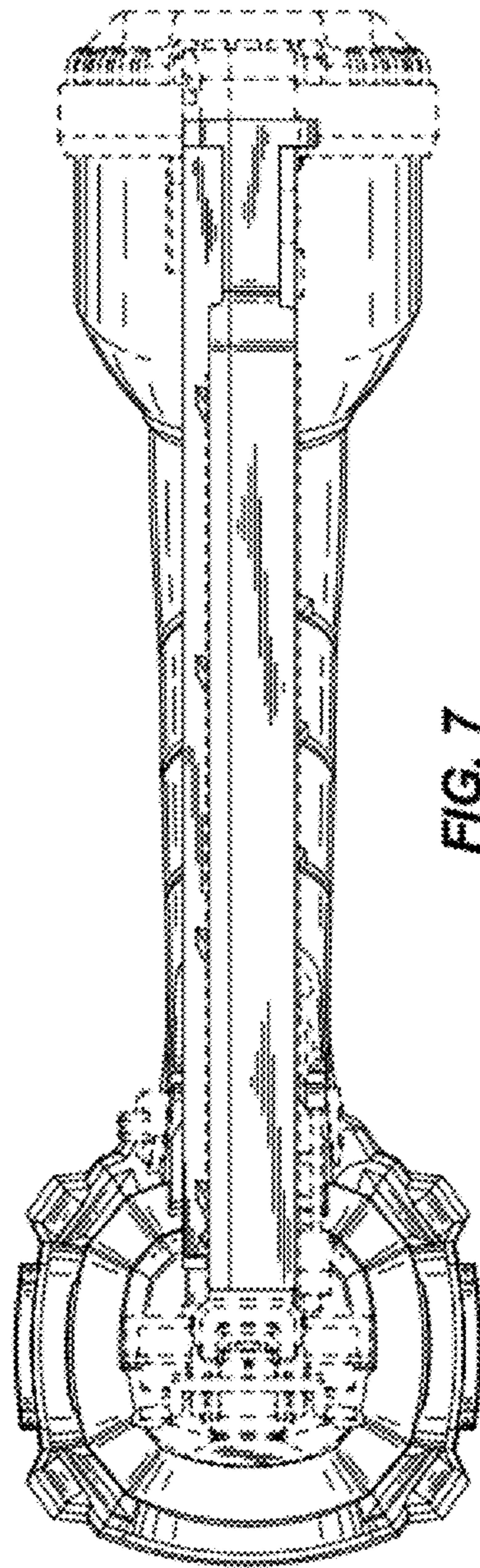


FIG. 7