



US00D677543S

(12) **United States Design Patent**  
**Jerabek et al.**

(10) **Patent No.:** **US D677,543 S**  
(45) **Date of Patent:** **\*\* Mar. 12, 2013**

- (54) **ANGLE FINISH NAILER**
  - (75) Inventors: **Jesse J. Jerabek**, Anderson, SC (US);  
**Hans E. Nutz**, Easley, SC (US)
  - (73) Assignee: **Techtronic Power Tools Technology Limited**, Tortola (VG)
  - (\*\*) Term: **14 Years**
  - (21) Appl. No.: **29/409,045**
  - (22) Filed: **Dec. 20, 2011**
  - (51) **LOC (9) Cl.** ..... **08-03**
  - (52) **U.S. Cl.** ..... **D8/68**
  - (58) **Field of Classification Search** ..... D8/61-70;  
173/2, 13, 46, 109, 110, 114, 170, 178, 198,  
173/214, 217; 227/8, 113, 114, 120, 130,  
227/136, 142; 408/20, 35, 58, 67, 117, 124,  
408/125, 234, 241 R; 429/92; 318/139;  
362/119
- See application file for complete search history.

- WO WO 2007048006 A2 \* 4/2007
- WO WO 2008048294 A1 \* 4/2008
- WO WO 2008140085 A1 \* 11/2008

**OTHER PUBLICATIONS**

Stanley Bostitch, Factory Reconditioned Bostitch U/BT200K-2 18 Gauge 2-in Oil-Free Brad Nailer Kit Model#: BSTRBT200K-2-R, Operation and Maintenance Manual, Dec. 1, 2005 [online], [retrieved on Aug. 29, 2012]. Retrieved from Interenet: <URL: <http://www.cpbostitch.com/bostitch-finish-nailers/bostitch-finish-nailers,default,sc.html?start=12&s>>.\*

Duo-Fast, DF150S-TC Tico Nailer, Brochure, Sep. 1, 2010 [online], [retrieved on Aug. 29, 2012]. Retrieved from Internet: <URL: <http://www.duo-fastconstruction.com/products/tools/DF150S-TC-Tico-Nailer.htm>>.\*

Senco, Framing Nailer FramePro601, Maual, Jan. 30, 2008 [online], [retrieved on Aug. 29, 2012]. Retrieved from Internet: <URL: <http://senco.com/ToolDetails.aspx?c=2&k=1G0101N>>.\*

(Continued)

*Primary Examiner* — Philip S Hyder  
*Assistant Examiner* — Darlington Ly  
(74) *Attorney, Agent, or Firm* — Michael Best & Friedrich LLP

(56) **References Cited**

**U.S. PATENT DOCUMENTS**

- D316,022 S \* 4/1991 Moraht ..... D8/69
- D416,182 S \* 11/1999 Kaiser et al. .... D8/69
- 6,045,024 A \* 4/2000 Phillips ..... 227/130
- D435,770 S \* 1/2001 Arai ..... D8/68
- D447,031 S \* 8/2001 Oh ..... D8/63
- D475,597 S \* 6/2003 Arai ..... D8/68
- D477,976 S \* 8/2003 Liu ..... D8/68
- D540,136 S \* 4/2007 Aguirre et al. .... D8/69
- D575,127 S \* 8/2008 Buck ..... D8/69
- 7,726,533 B2 \* 6/2010 Wojcicki ..... 227/119
- 8,006,881 B2 \* 8/2011 Arata et al. .... 227/120
- 2003/0230622 A1 \* 12/2003 Rotharmel ..... 227/120
- 2010/0206933 A1 \* 8/2010 Wu et al. .... 227/8

**FOREIGN PATENT DOCUMENTS**

- EP 2199026 A1 \* 6/2010
- EP 2221148 A2 \* 8/2010
- JP 2007253251 A \* 10/2007
- JP 2009090384 A \* 4/2009

(57) **CLAIM**

I claim the ornamental design for an angle finish nailer, as shown and described.

**DESCRIPTION**

FIG. 1 is a front perspective view of an angle finish nailer according to an embodiment of the invention.

FIG. 2 is a left-side view of the angle finish nailer of FIG. 1.

FIG. 3 is a right-side view of the angle finish nailer of FIG. 1.

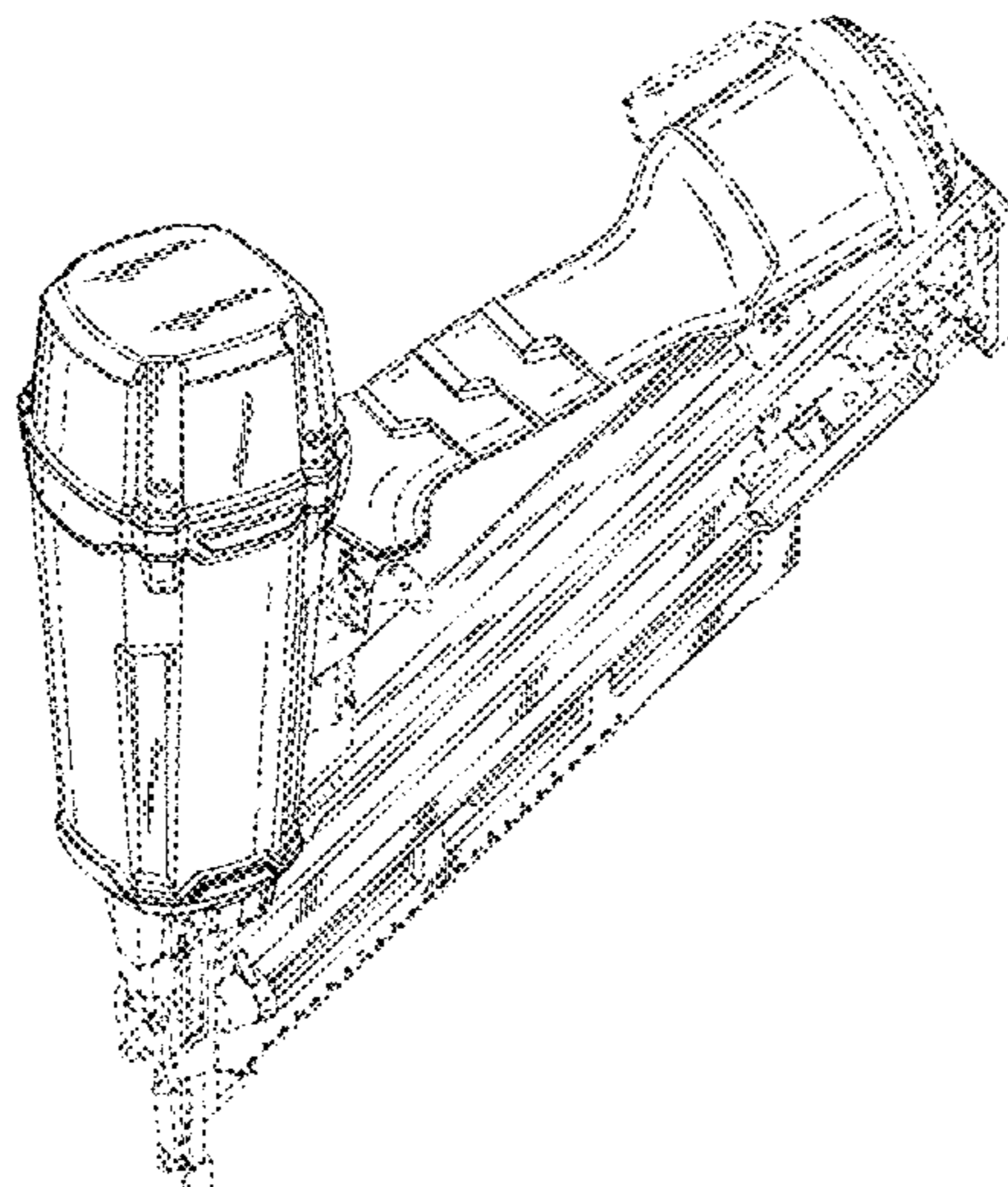
FIG. 4 is a front view of the angle finish nailer of FIG. 1.

FIG. 5 is a rear view of the angle finish nailer of FIG. 1.

FIG. 6 is a top view of the angle finish nailer of FIG. 1; and, FIG. 7 is a bottom view of the angle finish nailer of FIG. 1.

The portions of the angle finish nailer shown in broken lines are included for the purpose of illustrating environment and form no part of the claimed design.

**1 Claim, 5 Drawing Sheets**



OTHER PUBLICATIONS

Dino-Power Industry & Trade Co., Ltd., DP-6240 Air Framing nailer (17/21 degree round head nails), Aug. 10, 2006 [online], [retrieved on Aug. 29, 2012]. Retrieved from Internet: <URL: <http://www.dino-power.com/products/DP6240-17-21-degree-air-framing-nailer.html>>.\*

Ridgid 15-Gauge 2-1/2 in. Angled Finish Nailer RF250AFA, Home Depot, Retrieved from Internet on Mar. 20, 2012 <URL: [http://www.homedepot.com/Tools-Hardware-Air-Nailers-Nails/RIDGID/h\\_d1/N-5yc1vZbl93Z18g/R-100348527/h\\_d2/ProductDisplay?catalogId=10053&langId=-1&storeId=10051](http://www.homedepot.com/Tools-Hardware-Air-Nailers-Nails/RIDGID/h_d1/N-5yc1vZbl93Z18g/R-100348527/h_d2/ProductDisplay?catalogId=10053&langId=-1&storeId=10051)>.

\* cited by examiner

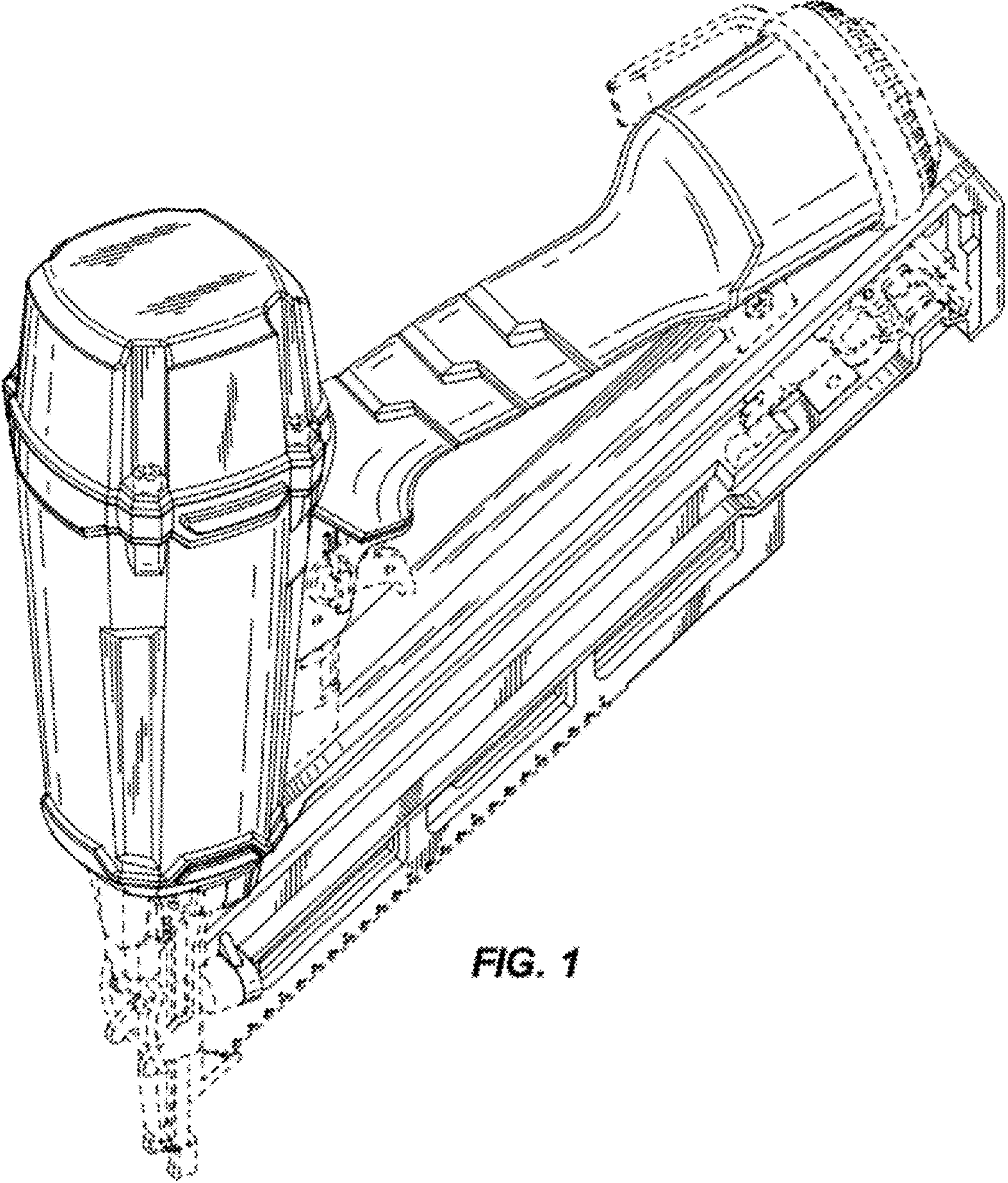


FIG. 1

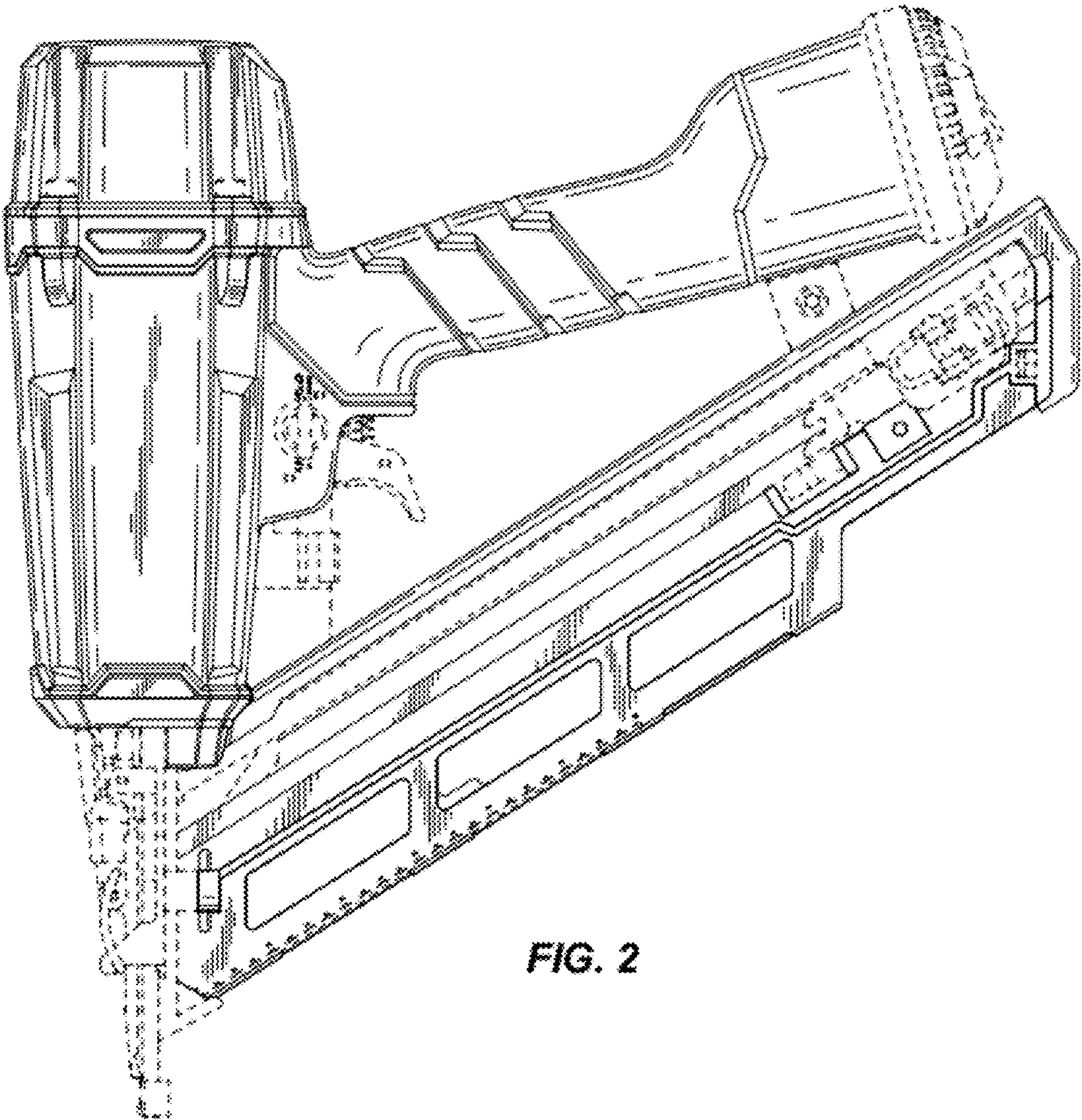


FIG. 2

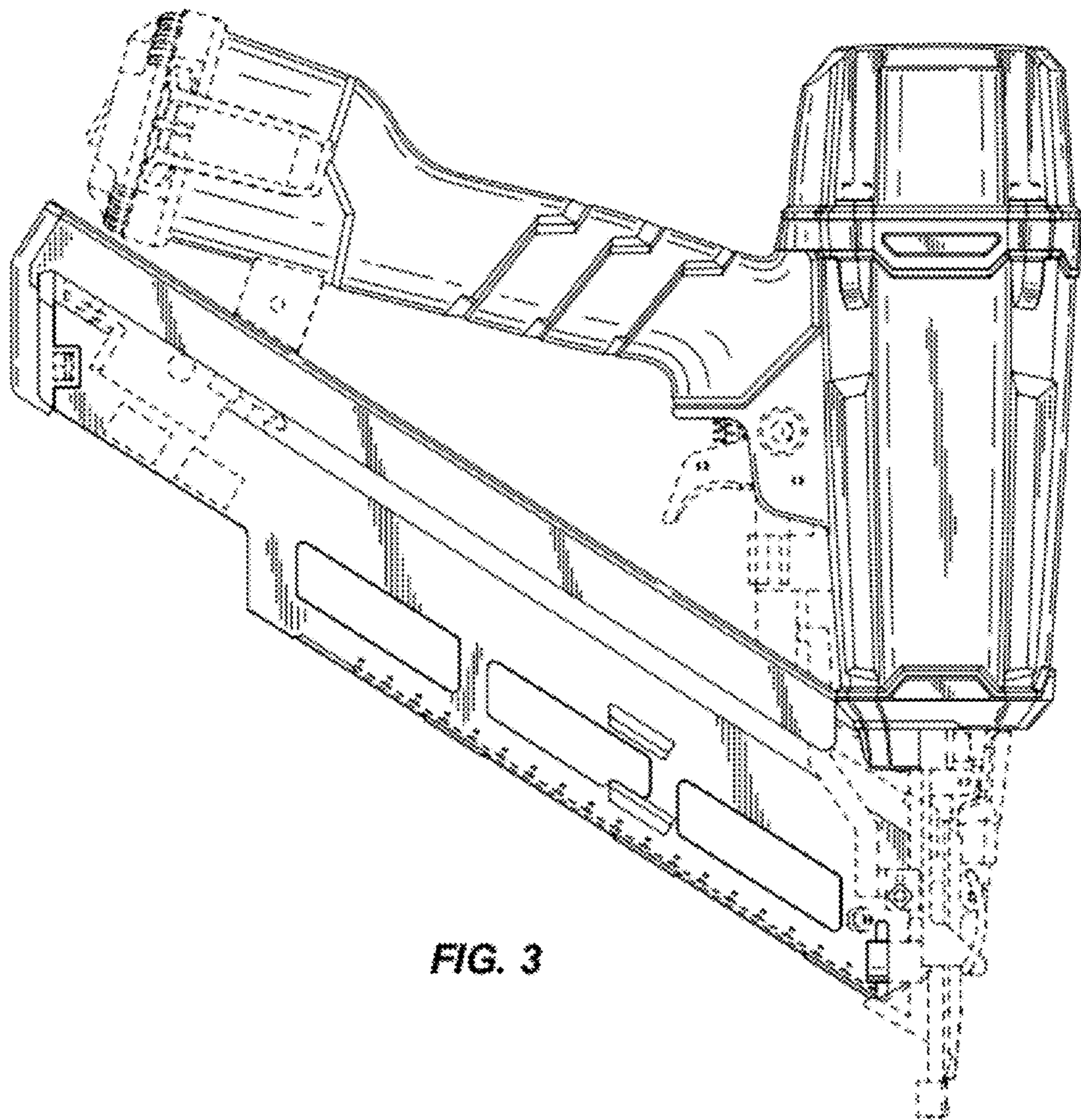


FIG. 3

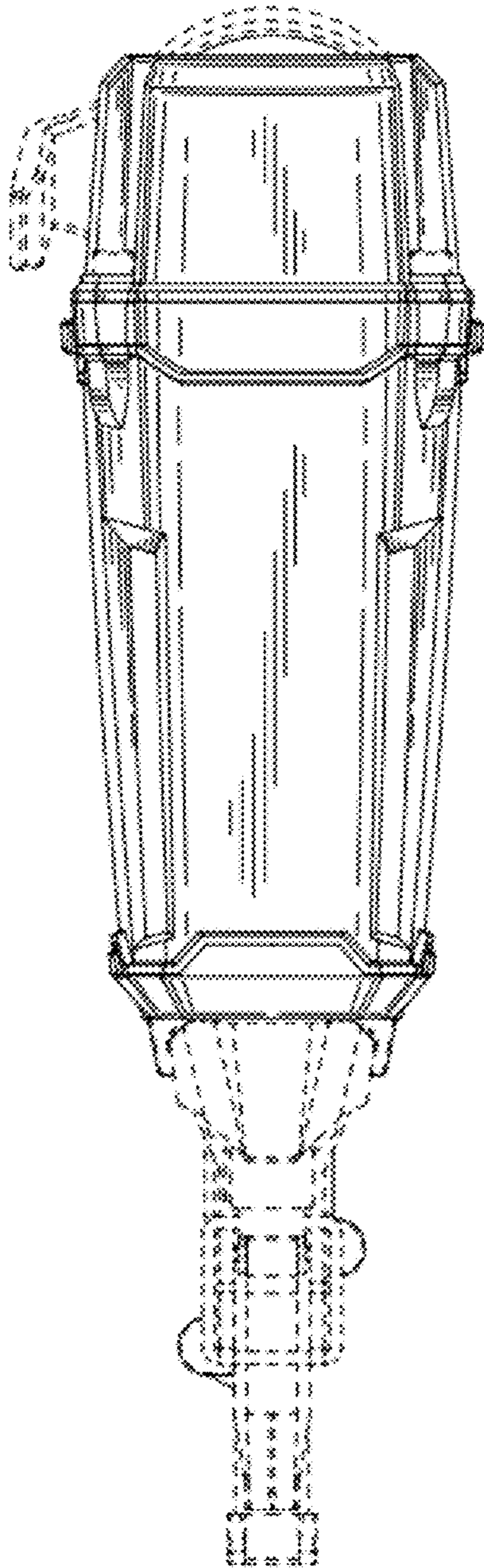


FIG. 4

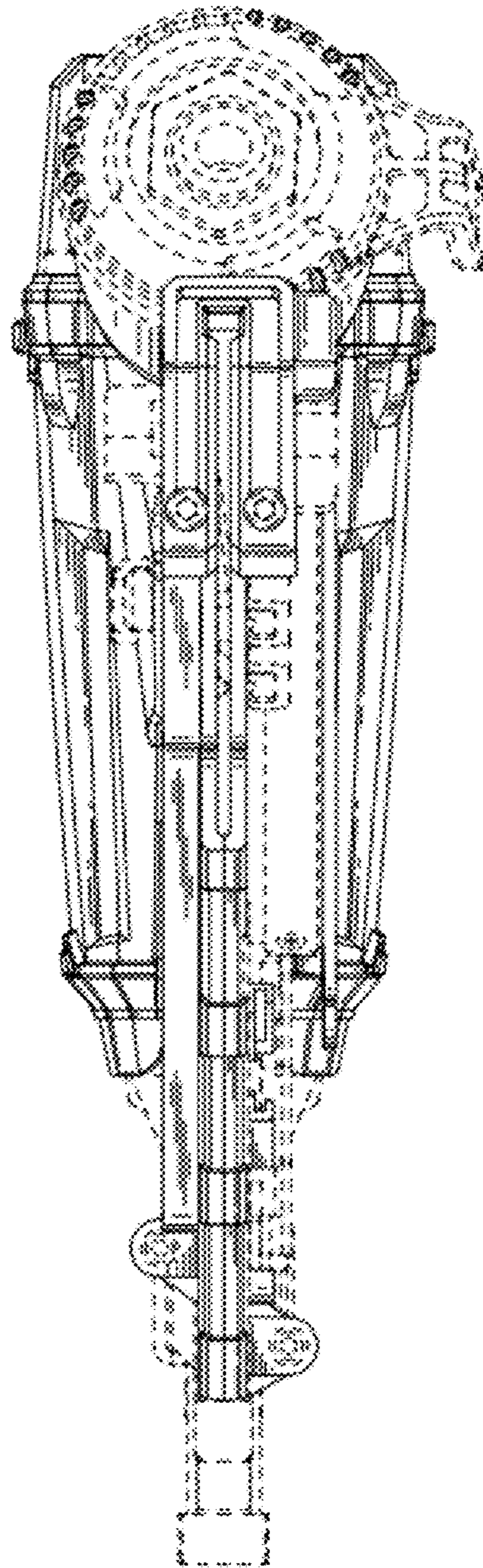


FIG. 5

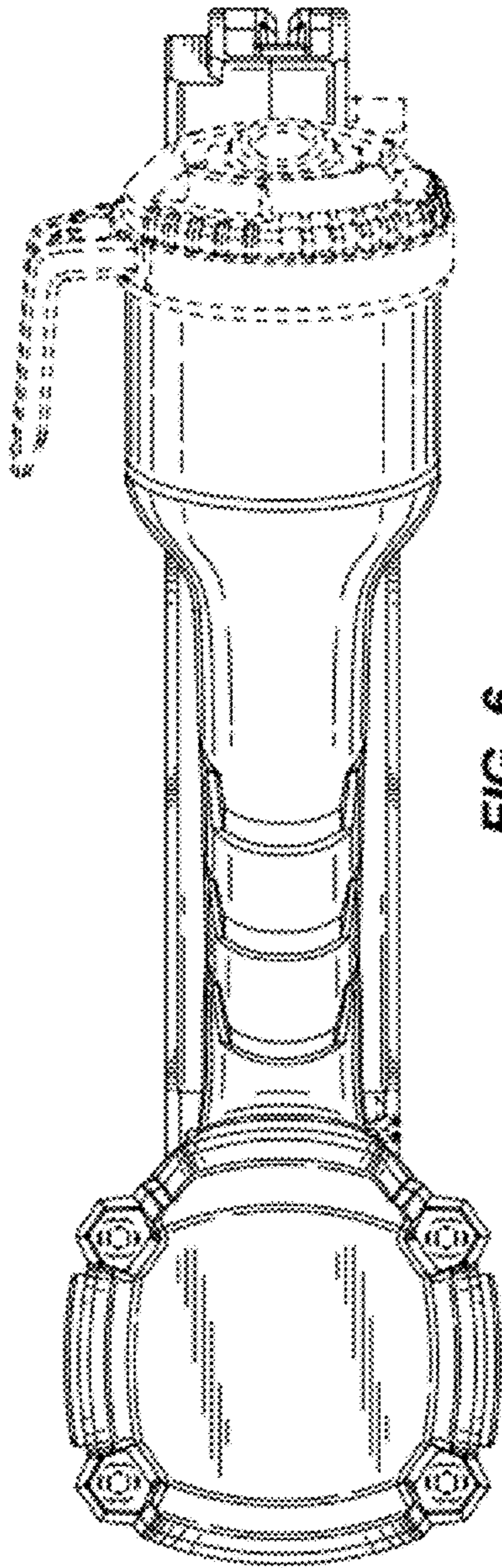


FIG. 6

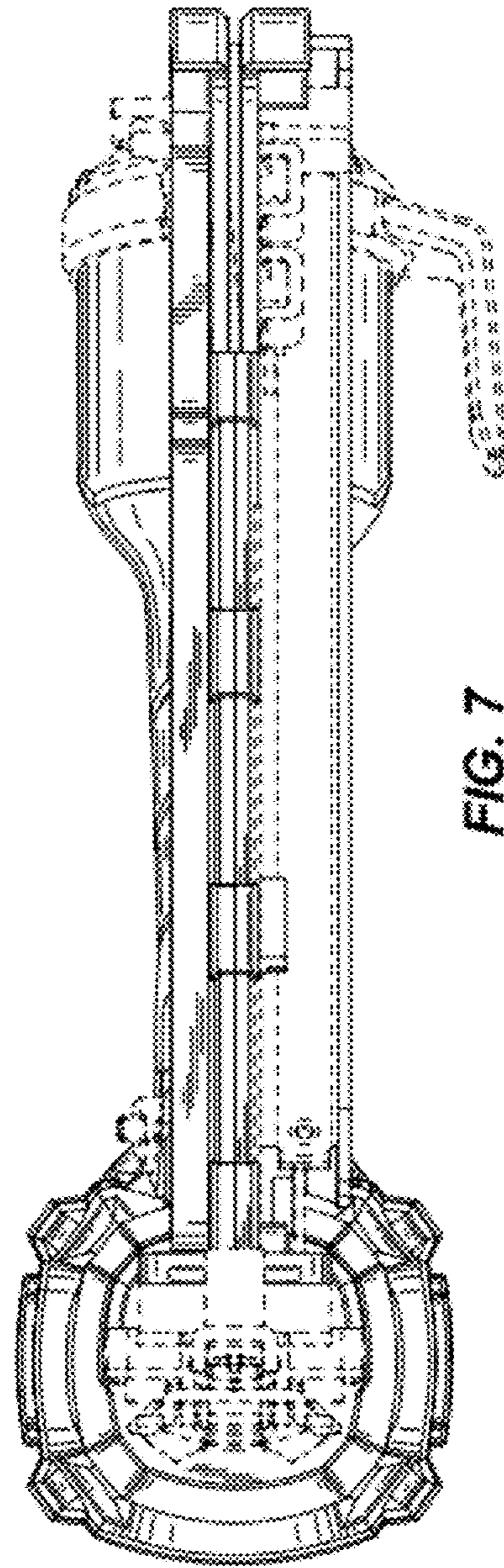


FIG. 7