



US00D677542S

(12) **United States Design Patent**
Baxter

(10) **Patent No.:** **US D677,542 S**
(45) **Date of Patent:** **** Mar. 12, 2013**

- (54) **RECIPROCATING SAW**
- (75) Inventor: **Mark Baxter**, Newcastle-upon-Tyne (GB)
- (73) Assignee: **Black & Decker Inc.**, Newark, DE (US)
- (**) Term: **14 Years**
- (21) Appl. No.: **29/410,433**
- (22) Filed: **Jan. 9, 2012**
- (30) **Foreign Application Priority Data**

D591,574 S *	5/2009	DiPasquale et al.	D8/64
D596,005 S *	7/2009	Schoch	D8/64
D631,314 S *	1/2011	Baxter	D8/64
D639,130 S *	6/2011	Ukai et al.	D8/64

* cited by examiner

Primary Examiner — Austin Murphy
(74) *Attorney, Agent, or Firm* — John Yun

- Jul. 27, 2011 (EM) 001286819
- (51) **LOC (9) Cl.** **08-03**
- (52) **U.S. Cl.** **D8/64**
- (58) **Field of Classification Search** D8/69,
D8/68, 67, 66, 65, 64, 62, 61; 30/92, 394,
30/393, 392, 377, 376, 371; 74/50, 49; 173/217,
173/216; 83/699.21; 446/145
See application file for complete search history.

(56) **References Cited**

U.S. PATENT DOCUMENTS

D456,233 S *	4/2002	Main	D8/64
D471,418 S *	3/2003	Chunn et al.	D8/64
D500,651 S *	1/2005	Andriolo	D8/64
D523,312 S *	6/2006	Ozawa et al.	D8/64
D524,131 S *	7/2006	Chunn et al.	D8/64
D524,132 S *	7/2006	Welsh	D8/64
D525,845 S *	8/2006	Welsh	D8/64
D551,045 S *	9/2007	Kokawa	D8/64
D560,988 S *	2/2008	Watson et al.	D8/64
D582,739 S *	12/2008	Aoki et al.	D8/64

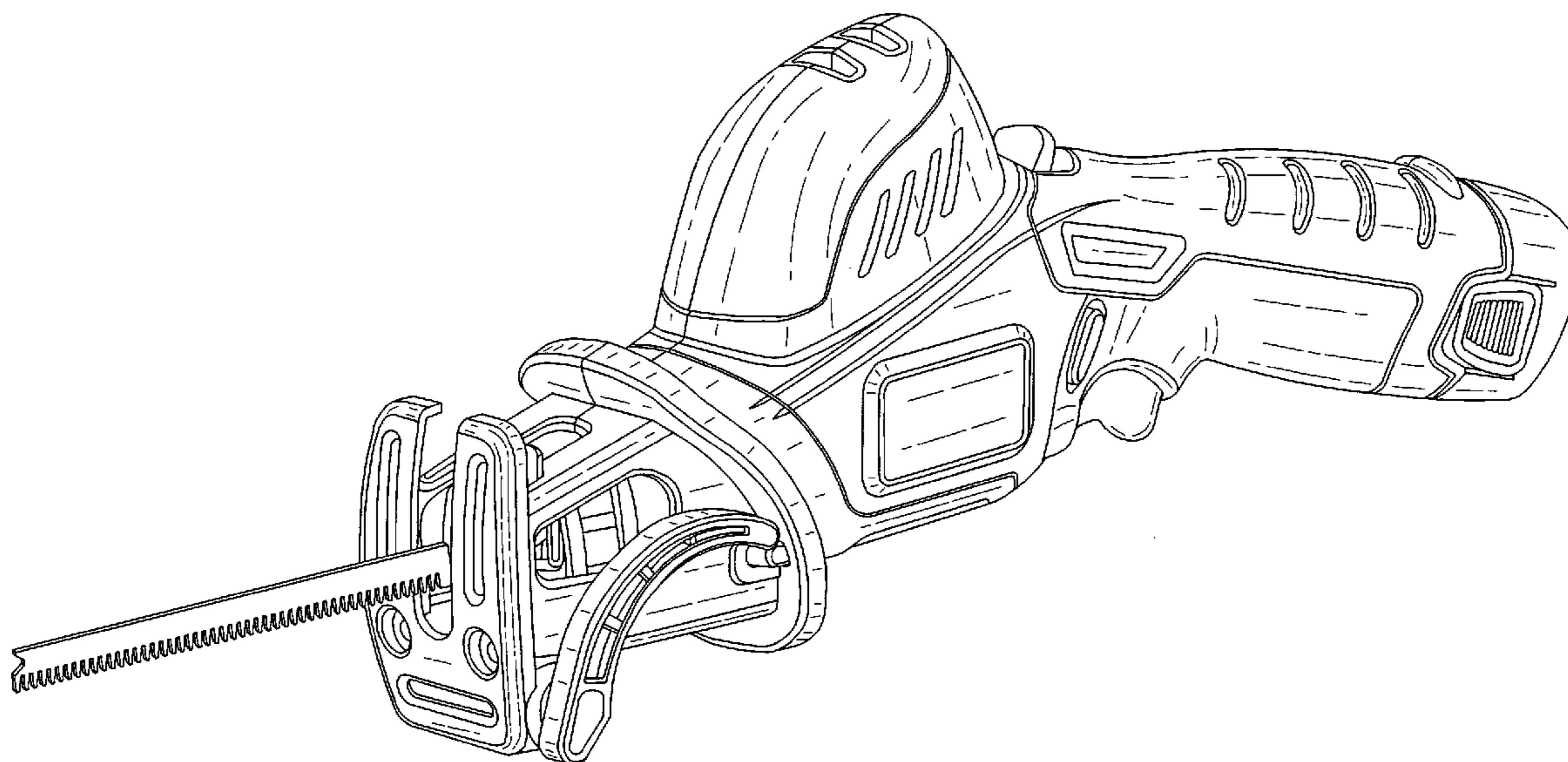
(57) **CLAIM**

The ornamental design for a reciprocating saw, as shown and described.

DESCRIPTION

FIG. 1 is a perspective view of a reciprocating saw showing my new design;
 FIG. 2 is a left side view thereof
 FIG. 3 is a right side view thereof;
 FIG. 4 is a front view thereof;
 FIG. 5 is a rear view thereof;
 FIG. 6 is a top plan view thereof; and
 FIG. 7 is a bottom plan view thereof.
 FIG. 8 is a perspective view of a reciprocating saw of FIG. 1 with the blade removed.
 FIG. 9 is a left side view of FIG. 8;
 FIG. 10 is a right side view of FIG. 8;
 FIG. 11 is a front view of FIG. 8;
 FIG. 12 is a rear view of FIG. 8;
 FIG. 13 is a top plan view of FIG. 8; and,
 FIG. 14 is a bottom plan view of FIG. 8.

1 Claim, 10 Drawing Sheets



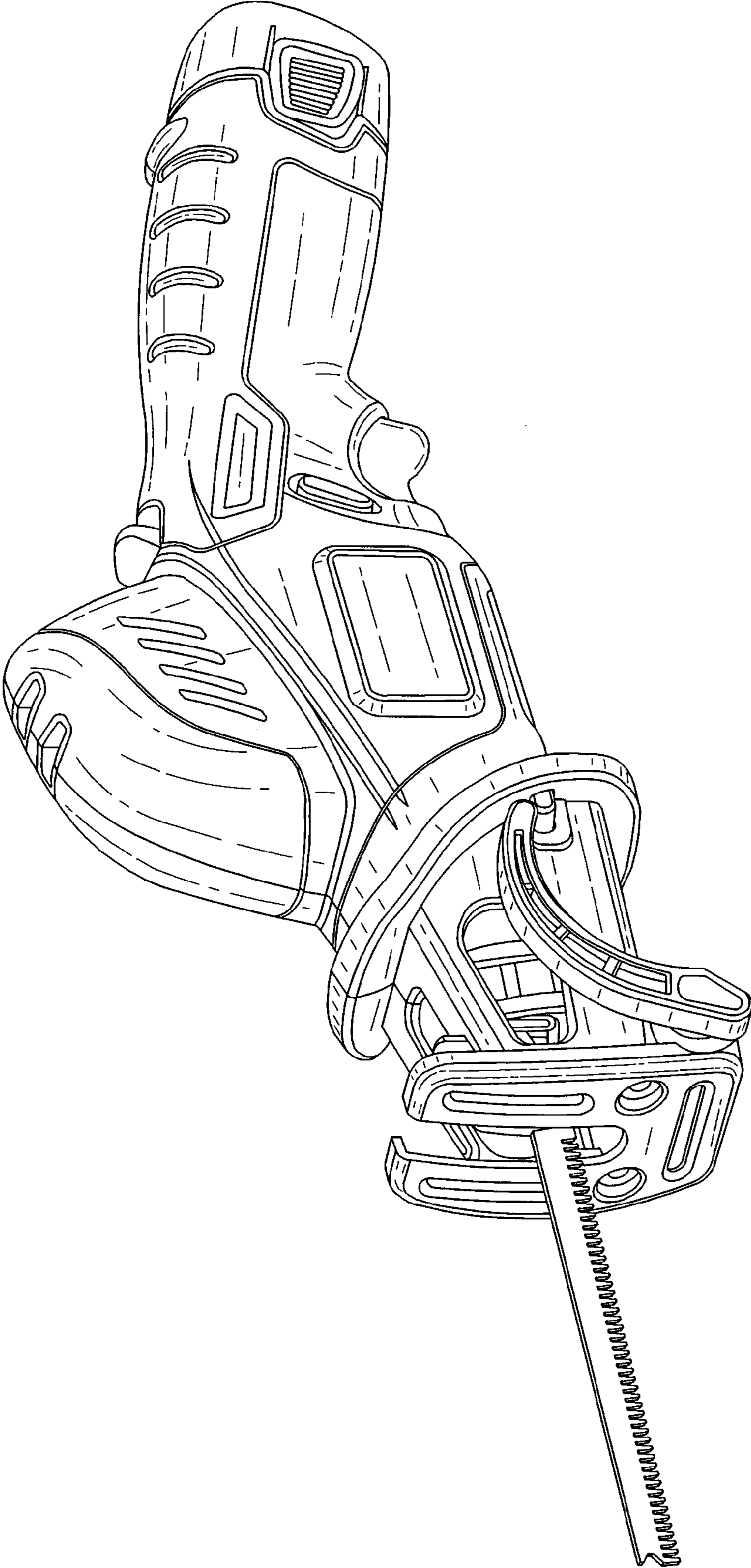


FIG.1

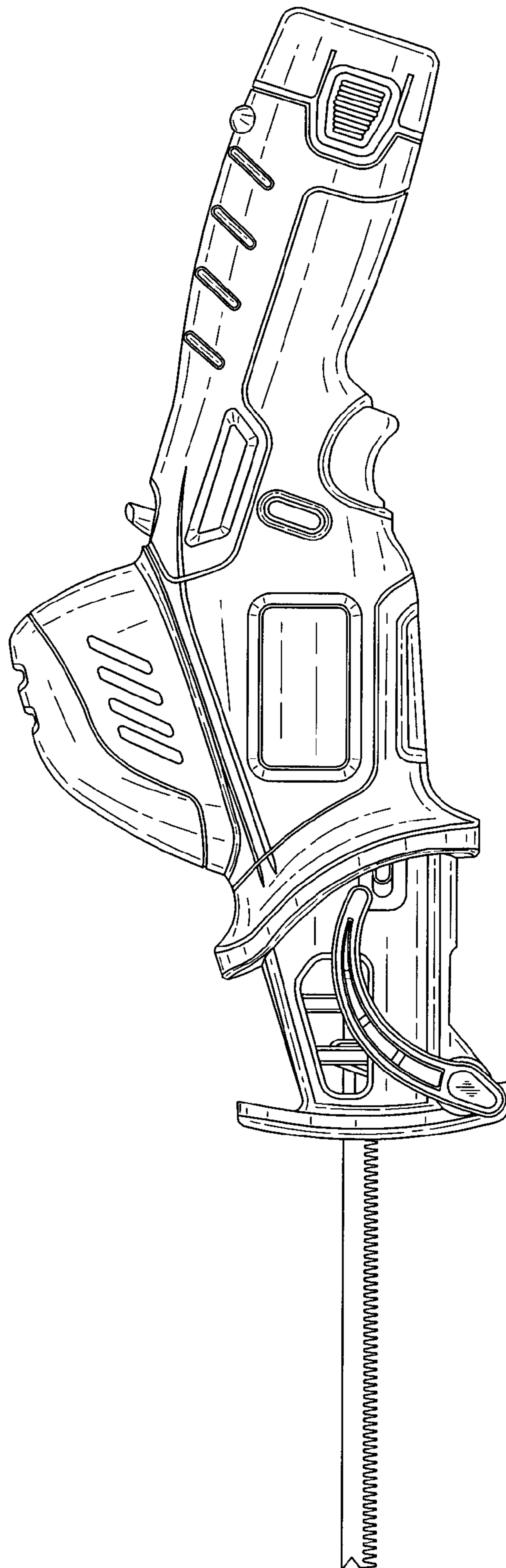


FIG.2

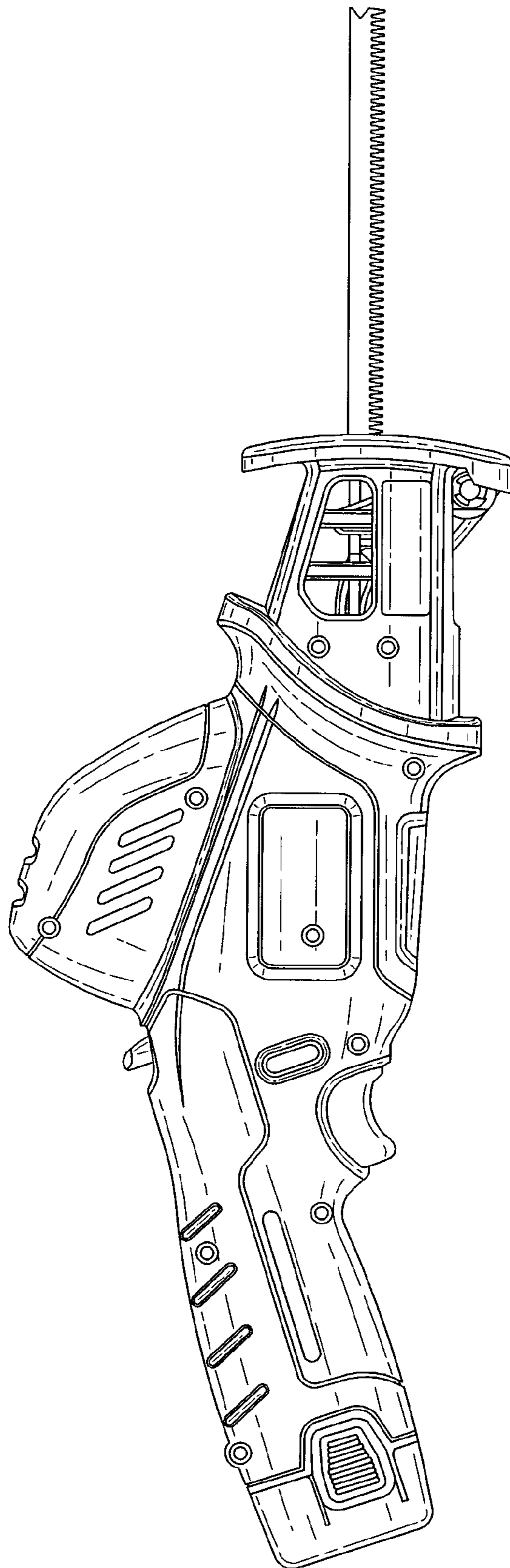


FIG.3

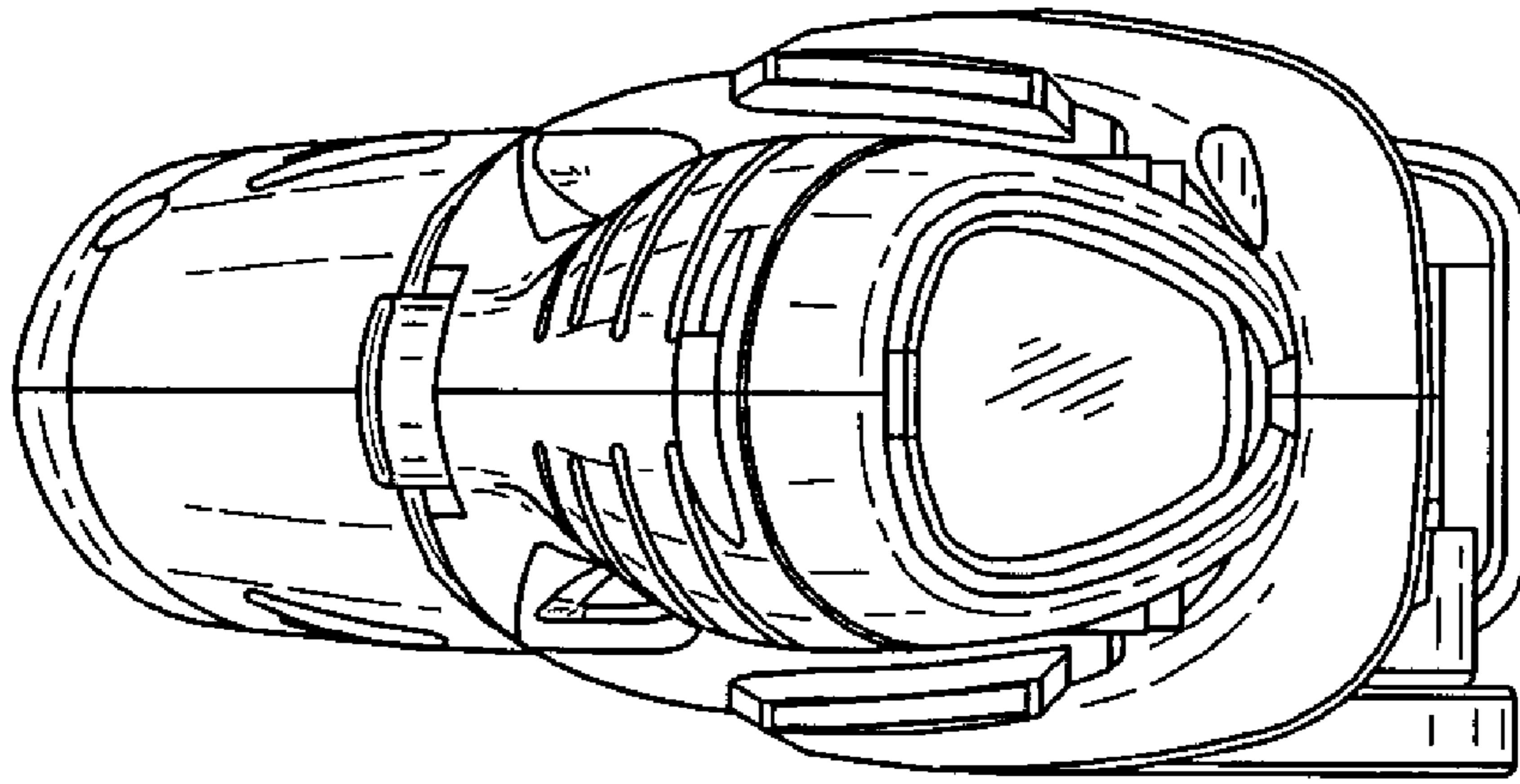


FIG.5

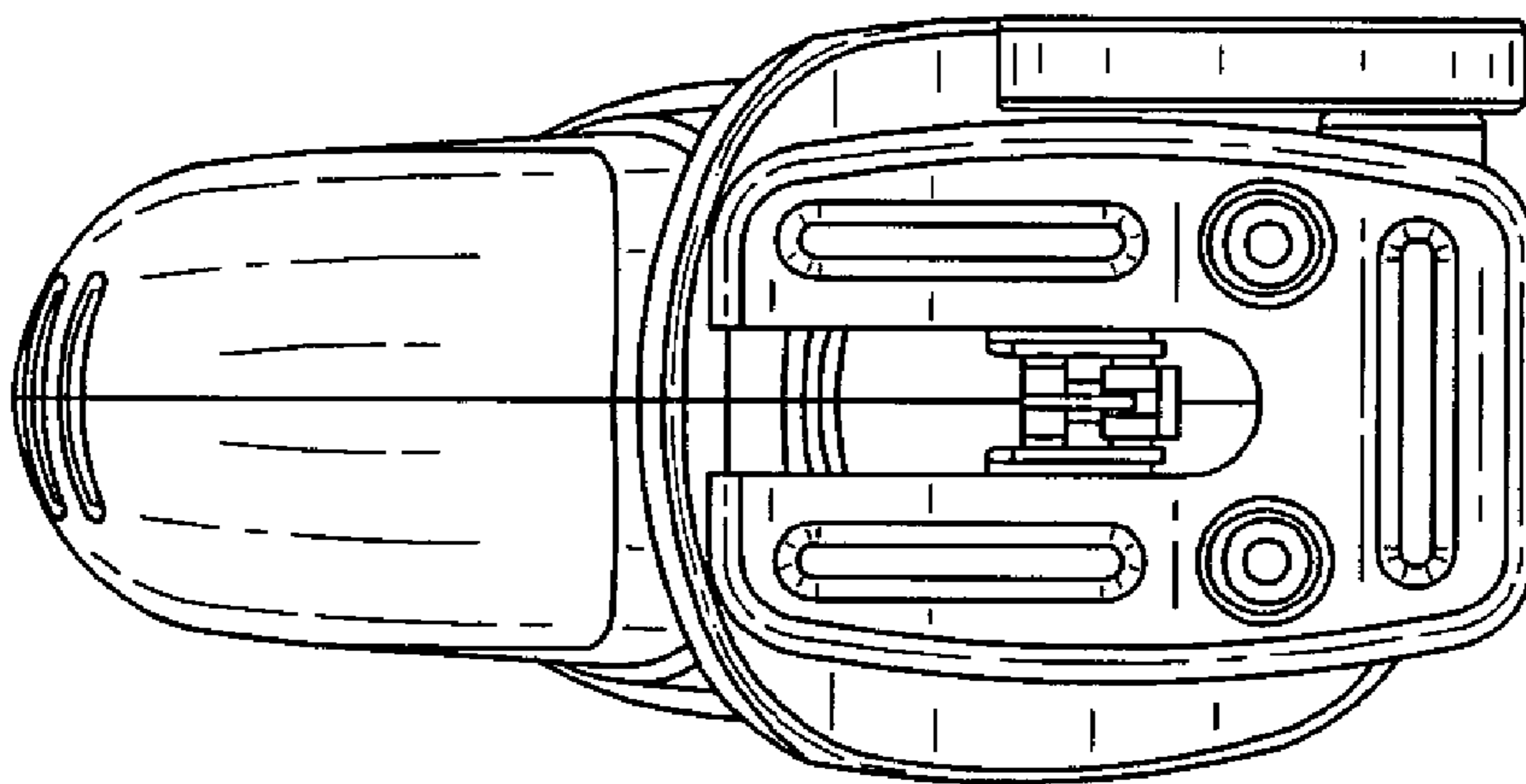


FIG.4

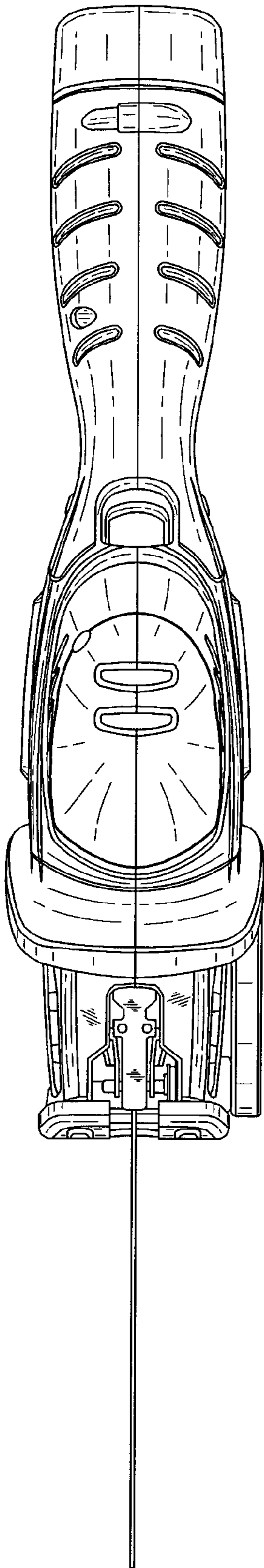


FIG. 6

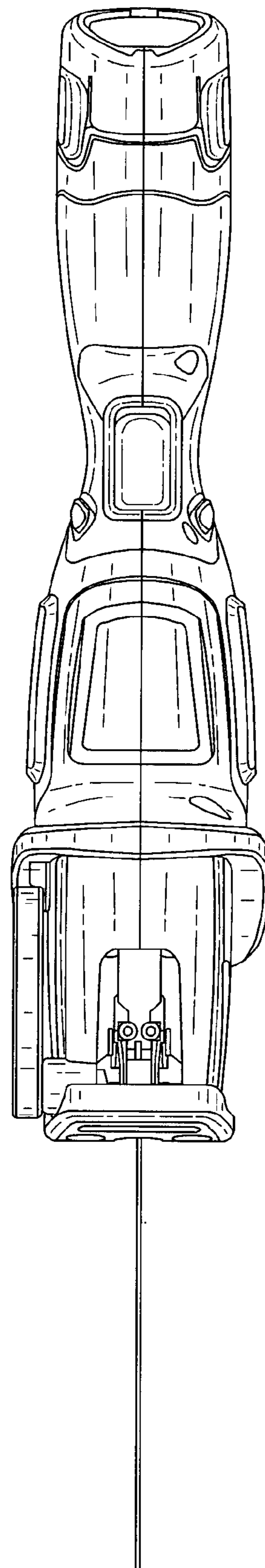


FIG. 7

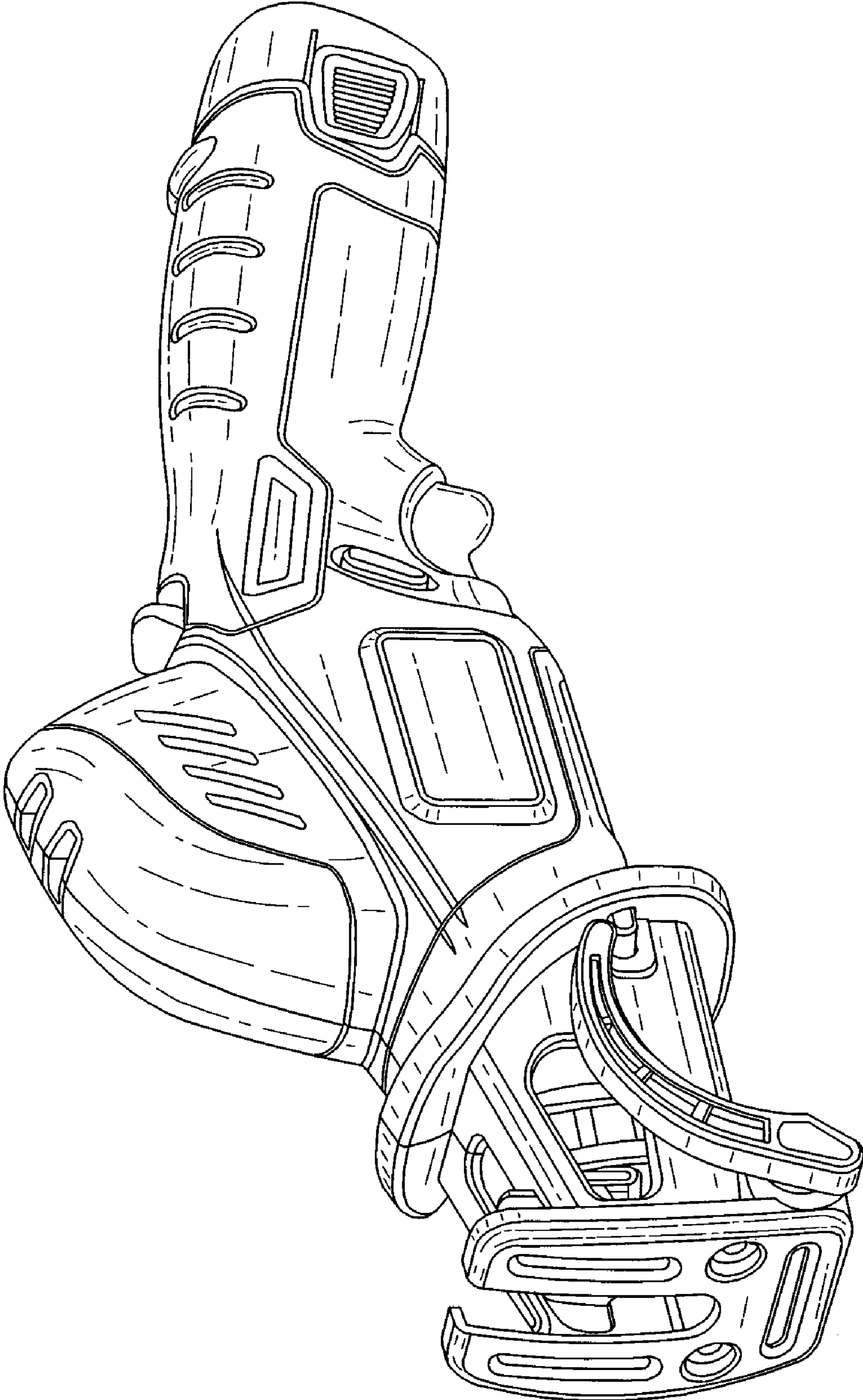


FIG.8

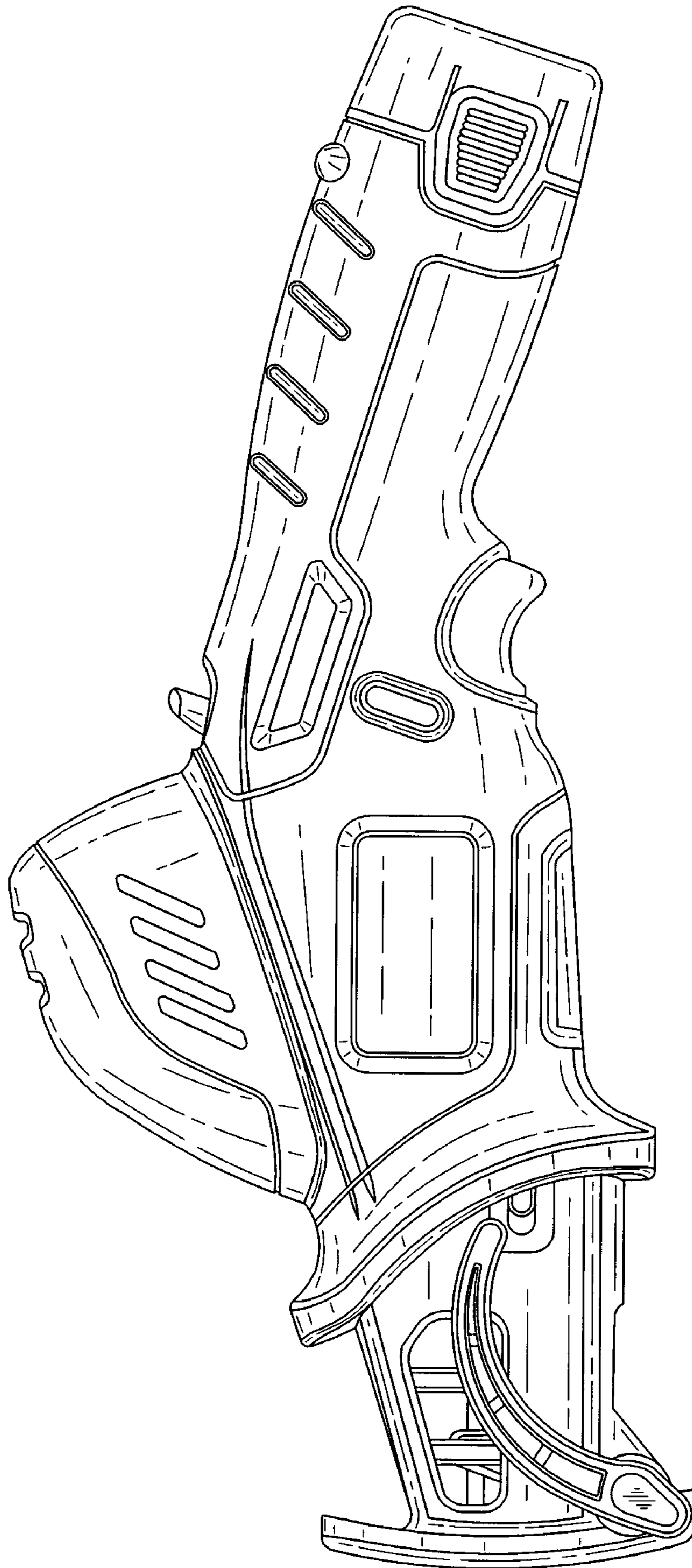


FIG.9

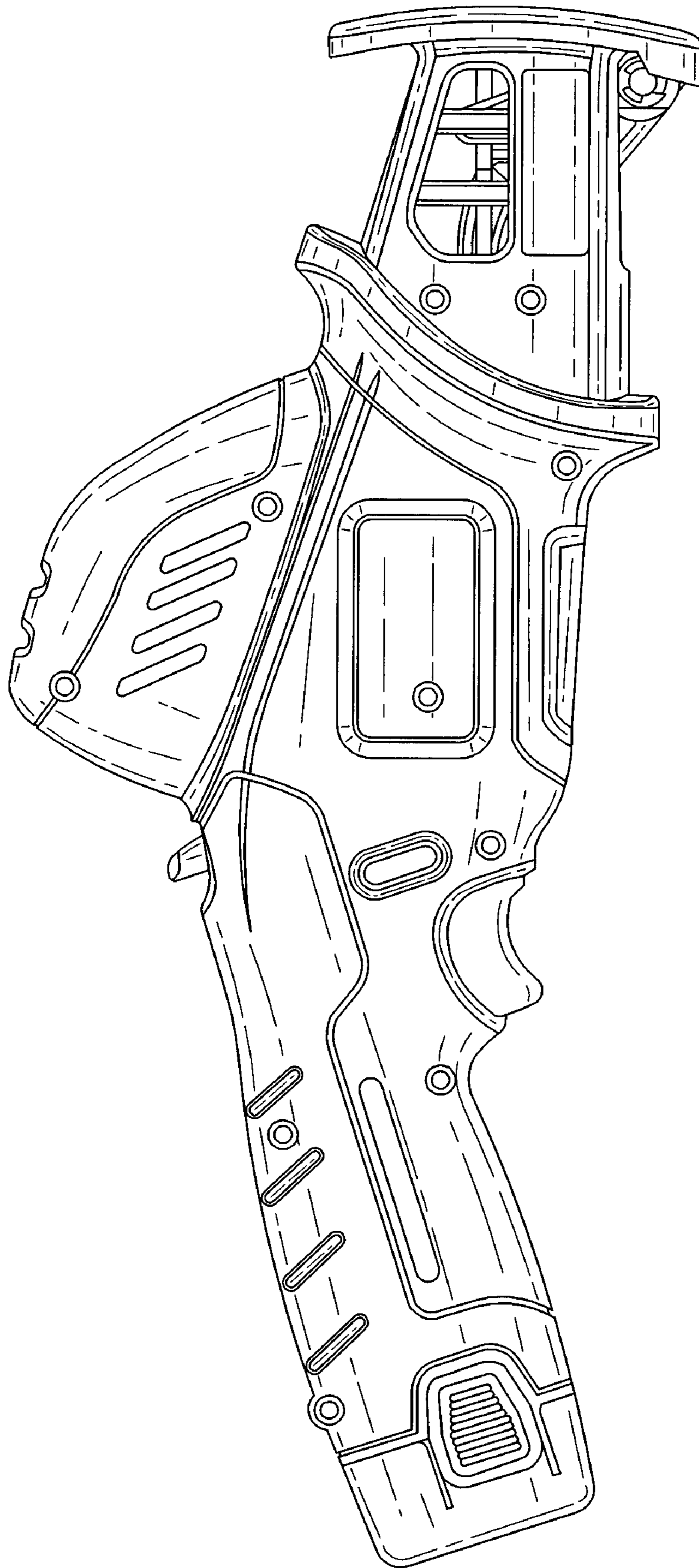


FIG.10

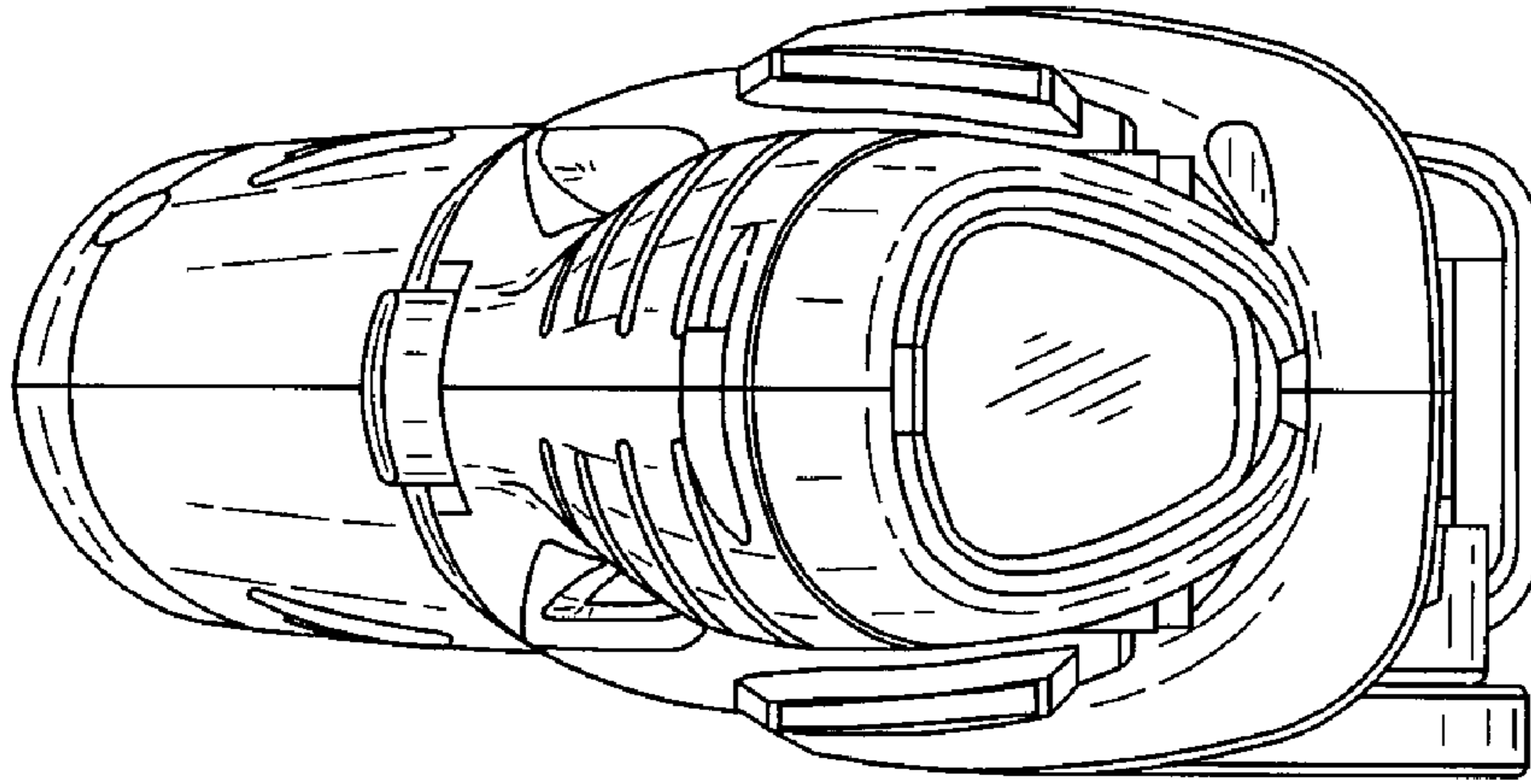


FIG.12

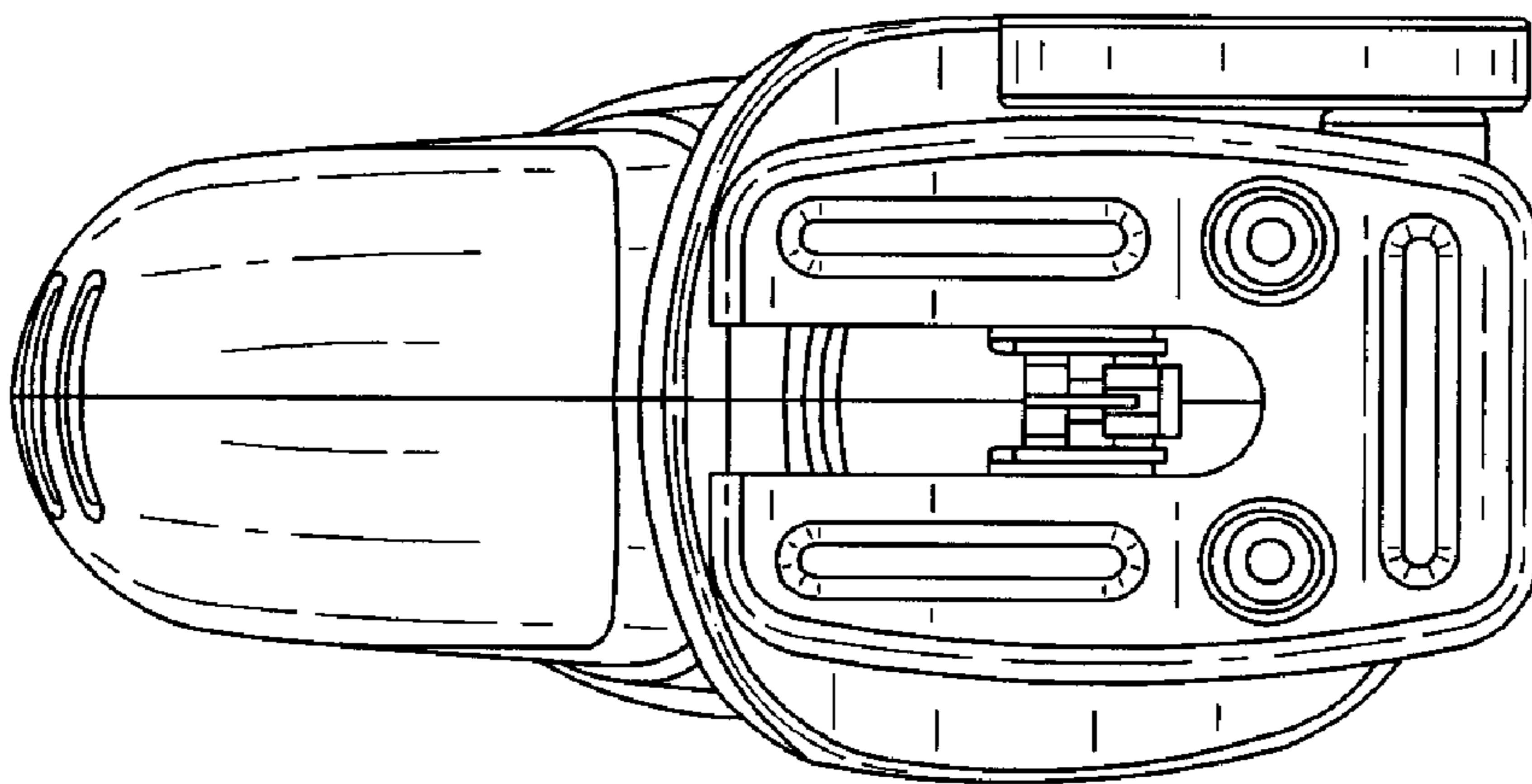


FIG.11

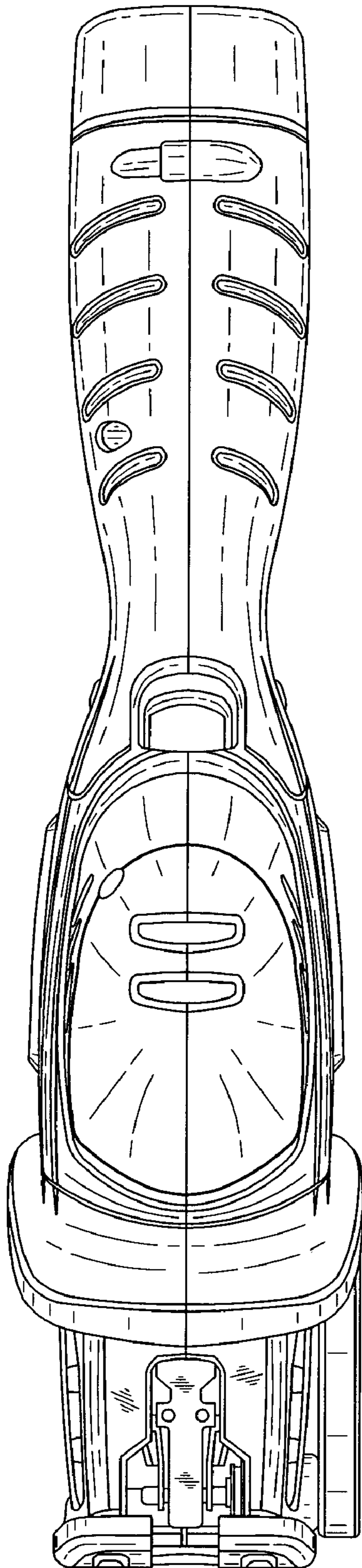


FIG. 13

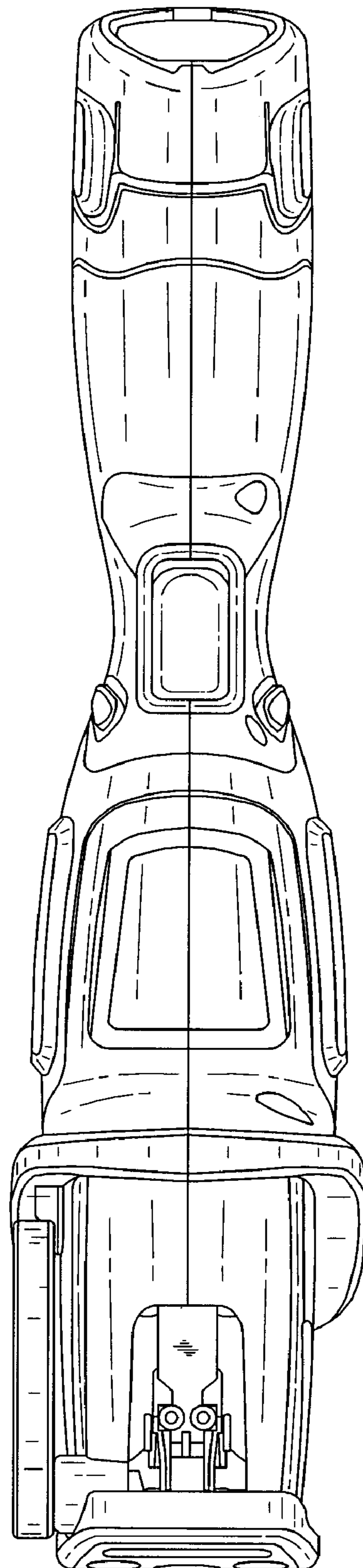


FIG. 14