



US00D677537S

(12) **United States Design Patent**
Eriksson et al.

(10) **Patent No.:** **US D677,537 S**

(45) **Date of Patent:** **** Mar. 12, 2013**

(54) **SNOW CHAIN TENSIONER**

(75) Inventors: **Henrik Eriksson**, Jonkoping (SE);
Marco Arrigoni Neri, Molteno (IT)

(73) Assignee: **Thule Sweden AB** (SE)

(**) Term: **14 Years**

(21) Appl. No.: **29/409,409**

(22) Filed: **Dec. 22, 2011**

(51) **LOC (9) Cl.** **08-05**

(52) **U.S. Cl.** **D8/44; D12/608**

(58) **Field of Classification Search** D8/44,
D8/336, 338, 356; 24/68 CD, 68 CT, 68 E,
24/68 R, 68 TT, 163 R, 168-170; 254/217-220,
254/223, 247-248; 410/100; 70/18, 58;
D12/608

See application file for complete search history.

(56) **References Cited**

U.S. PATENT DOCUMENTS

| | | | | | |
|-----------|------|---------|----------------|-------|-----------|
| 1,462,249 | A * | 7/1923 | Slama | | 24/69 R |
| 1,547,524 | A * | 7/1925 | Samovitz | | 24/68 TT |
| 1,551,602 | A * | 9/1925 | Hellerud | | 24/68 TT |
| 1,606,090 | A * | 11/1926 | Masters | | 24/68 R |
| D263,460 | S * | 3/1982 | Leach | | D12/608 |
| D320,925 | S * | 10/1991 | Barbour et al. | | D8/356 |
| 5,572,771 | A * | 11/1996 | Kelleghan | | 24/170 |
| 5,692,403 | A * | 12/1997 | Ling | | 70/312 |
| 6,026,876 | A * | 2/2000 | Snyder | | 152/218 |
| 6,199,412 | B1 * | 3/2001 | Kennedy | | 70/18 |
| 6,213,421 | B1 * | 4/2001 | Franklin | | 242/384.7 |
| 6,684,667 | B2 * | 2/2004 | Young | | 70/18 |

| | | | | | |
|-----------|------|---------|---------------|-------|---------|
| 6,735,826 | B2 * | 5/2004 | Uehara et al. | | 24/170 |
| D496,881 | S * | 10/2004 | Pontaoe | | D11/216 |
| 6,868,587 | B2 * | 3/2005 | Rard | | 24/170 |
| 7,032,415 | B2 * | 4/2006 | Young | | 70/18 |
| 7,424,813 | B2 * | 9/2008 | Wu | | 70/58 |
| 7,454,932 | B2 * | 11/2008 | Hollier | | 70/18 |

OTHER PUBLICATIONS

Thule Easy-Fit CU-9. Downloaded from http://www.thule.com/en-US/US/Products/Snow-Chains/SnowChains/Thule-Easy_-_fit-C... on Nov. 29, 2012.*

* cited by examiner

Primary Examiner — Philip S Hyder

Assistant Examiner — Roselynn Cody

(74) *Attorney, Agent, or Firm* — Novak Druce Connolly Bove + Quigg LLP

(57) **CLAIM**

We claim the ornamental design for a snow chain tensioner, as shown and described.

DESCRIPTION

FIG. 1 is a perspective view of a snow chain tensioner in a condition of use.

FIG. 2 is another perspective view thereof;

FIG. 3 is a top plan view thereof;

FIG. 4 is a bottom plan view thereof;

FIG. 5 is a front elevational view thereof;

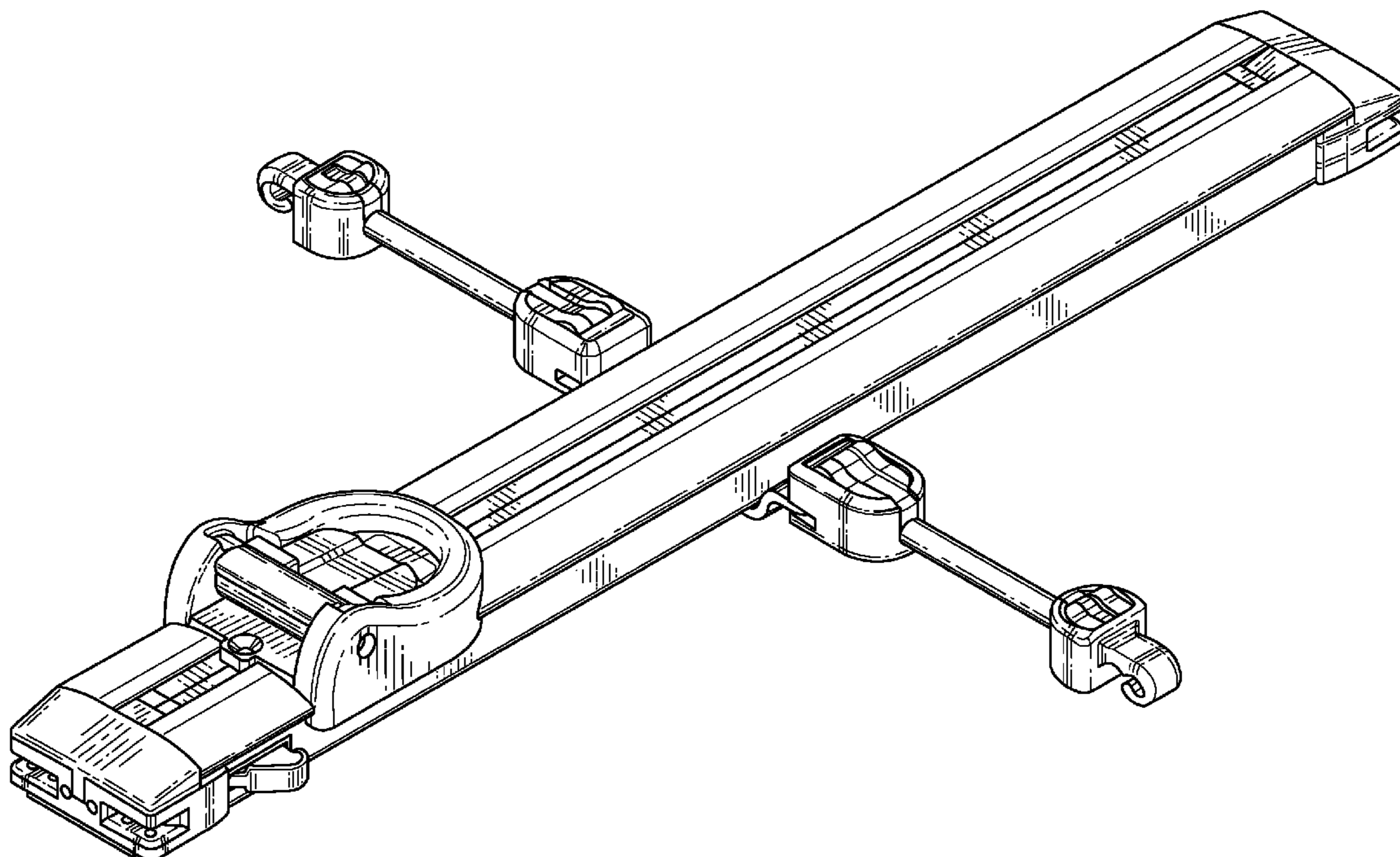
FIG. 6 is a rear elevational view thereof;

FIG. 7 is a left side elevational view thereof; and,

FIG. 8 is a right side view thereof.

The dashed lines in FIG. 1 illustrate environment only and form no part of the claimed design.

1 Claim, 8 Drawing Sheets



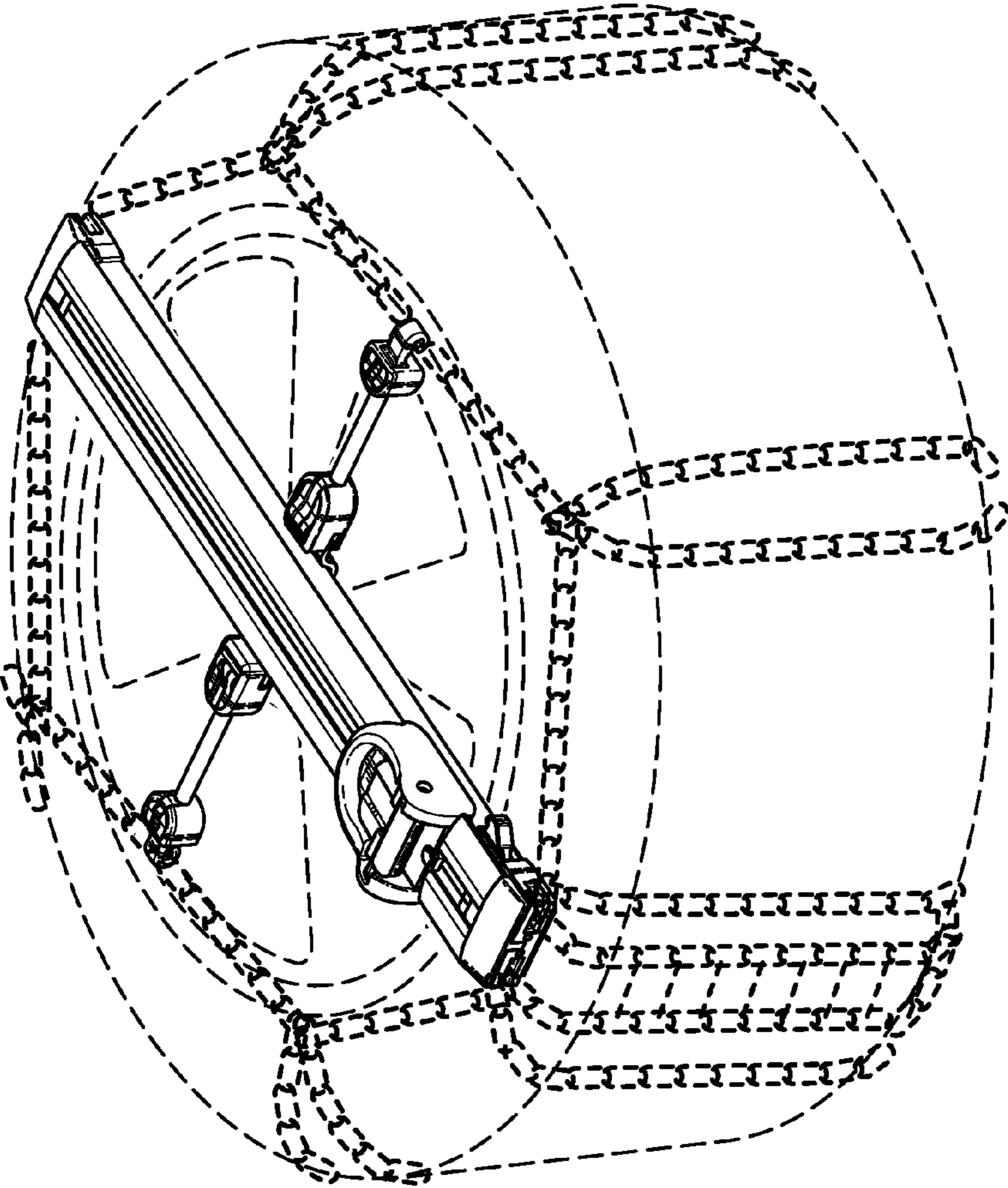


FIG. 1

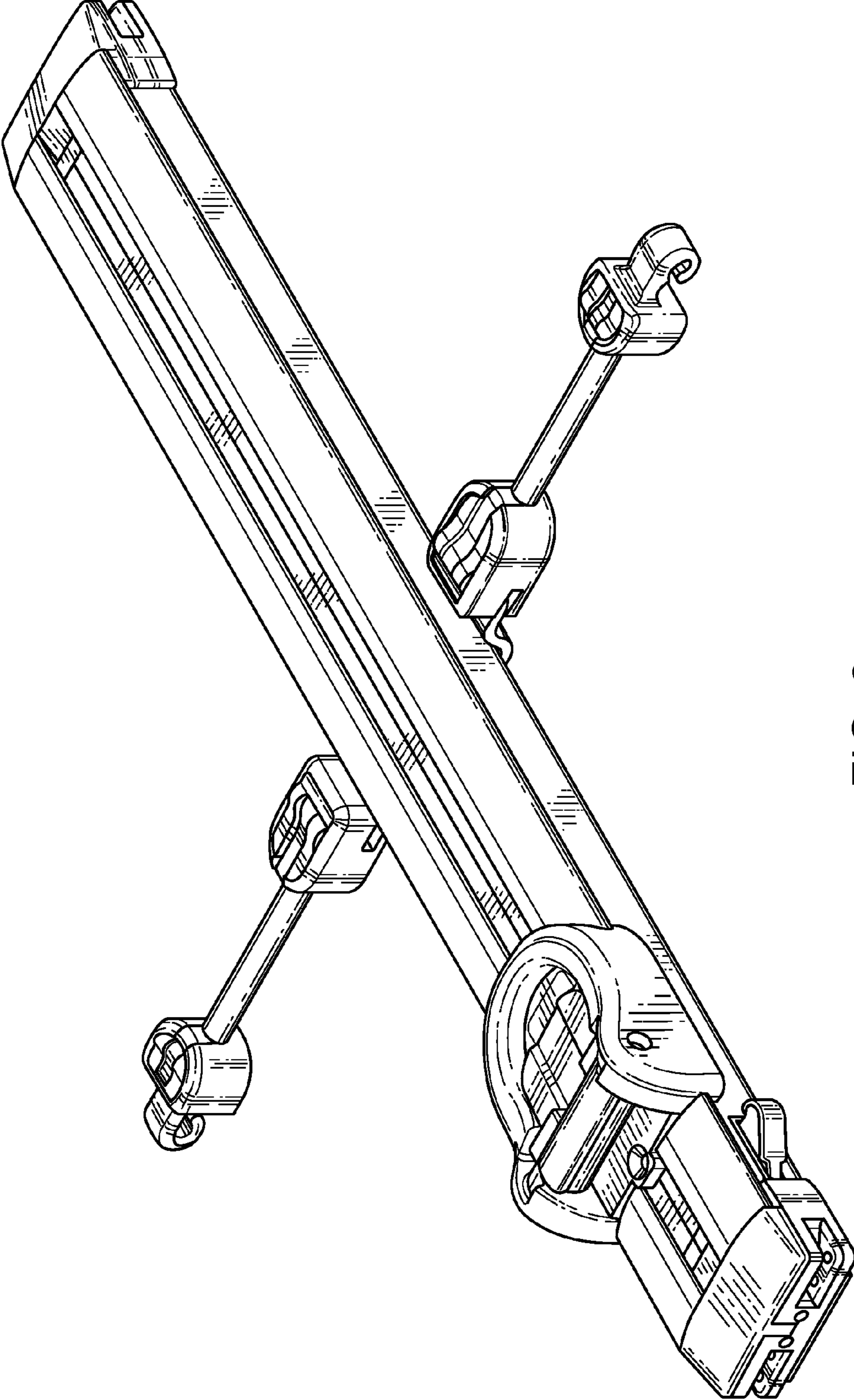


FIG. 2

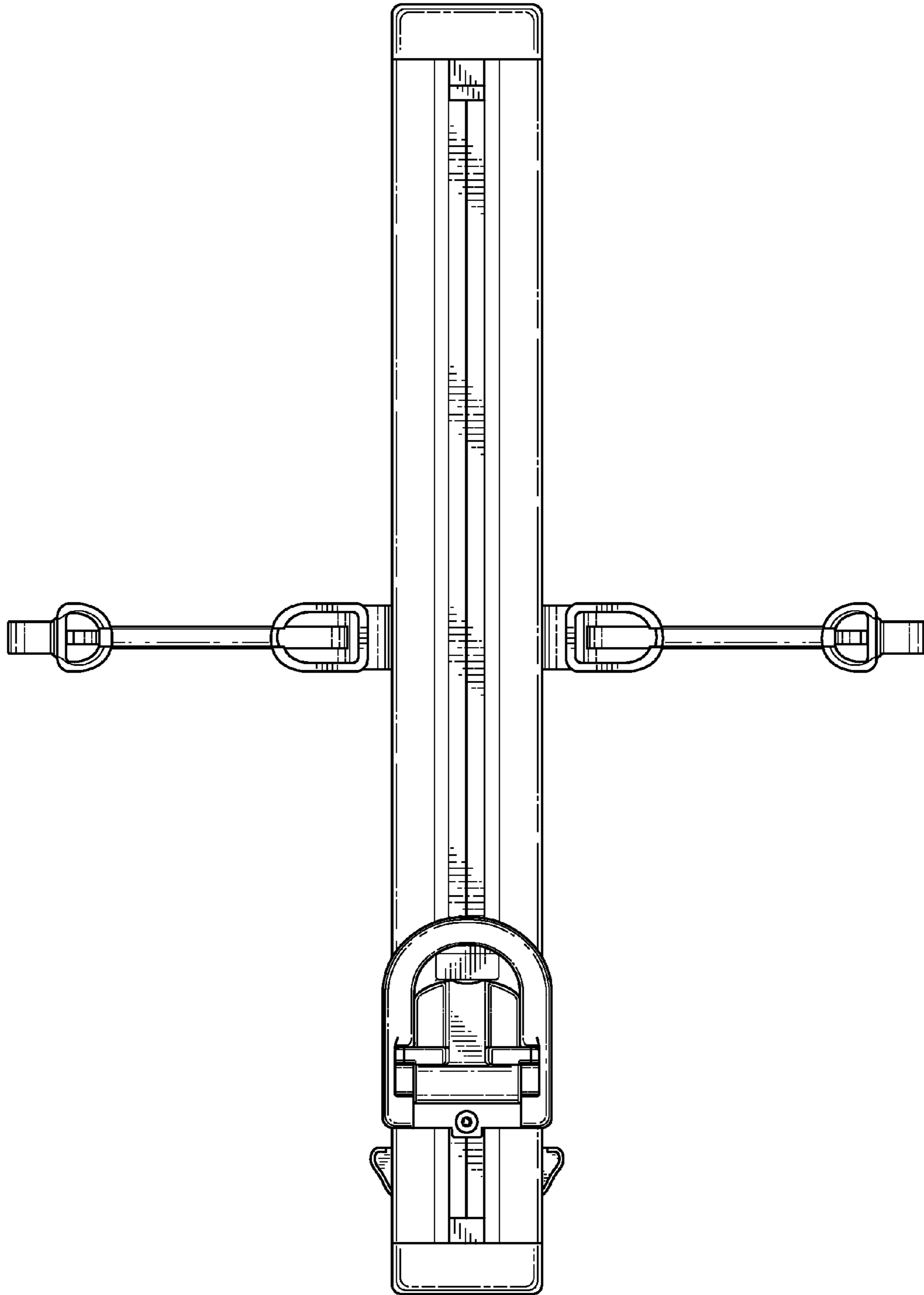


FIG. 3

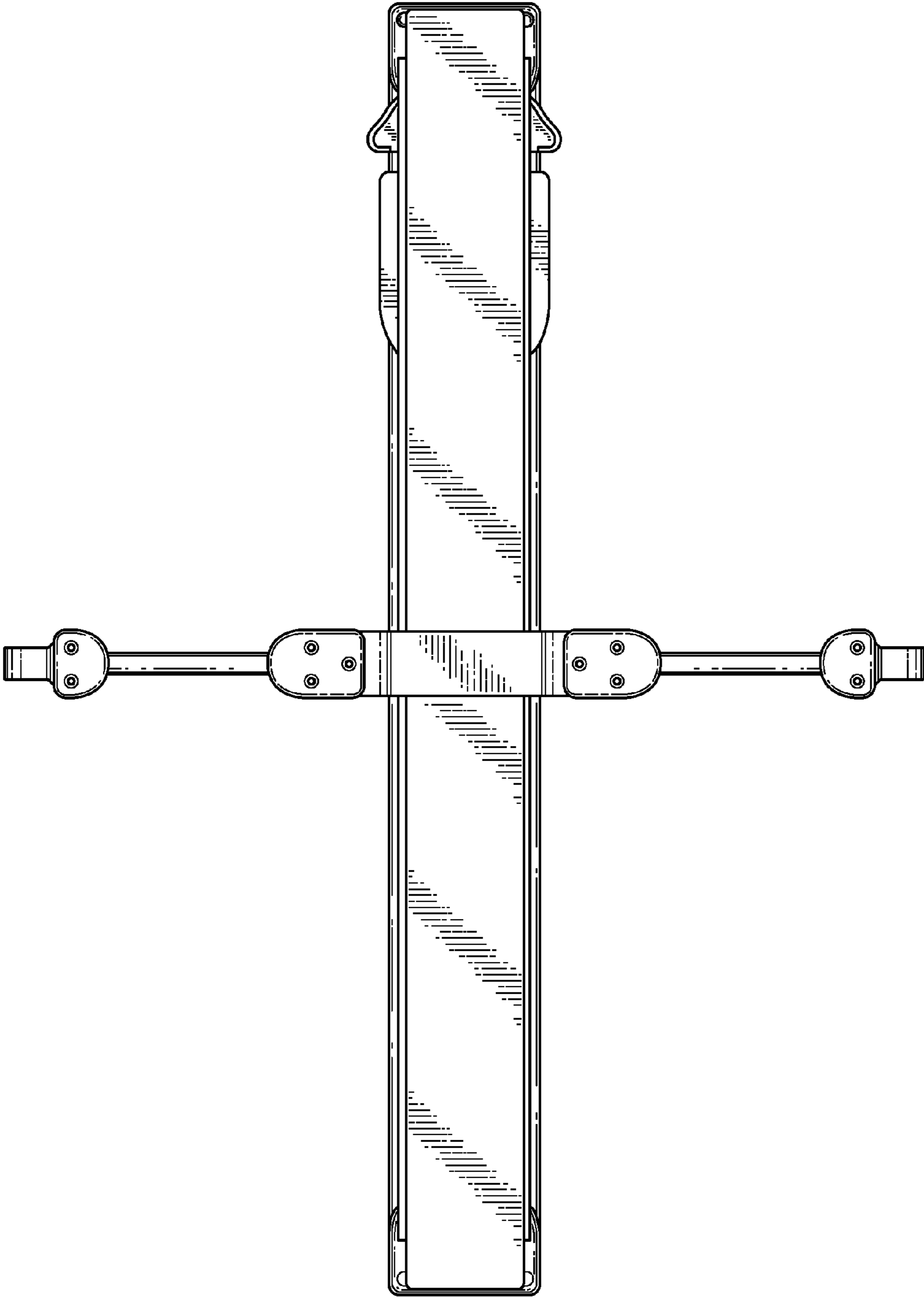


FIG. 4

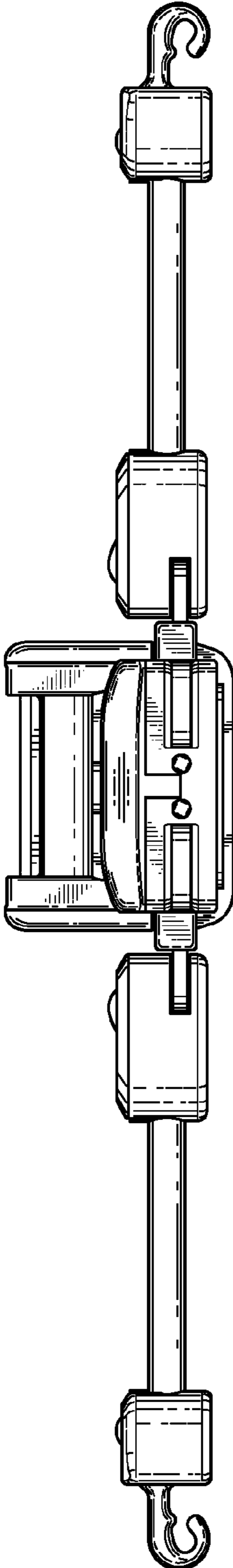


FIG. 5

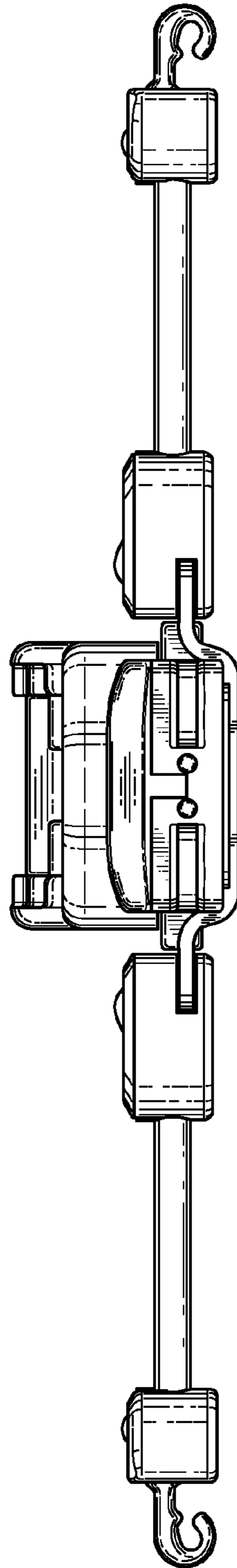


FIG. 6

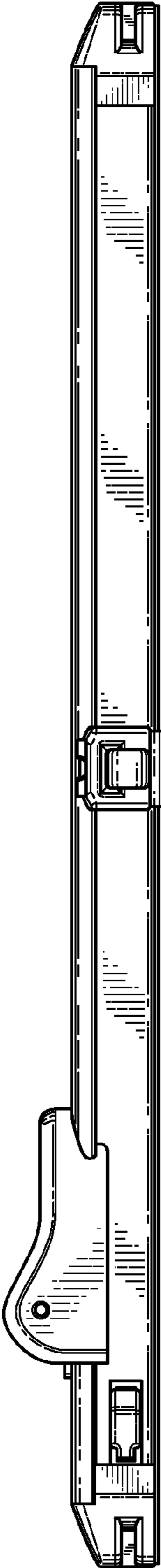


FIG. 7

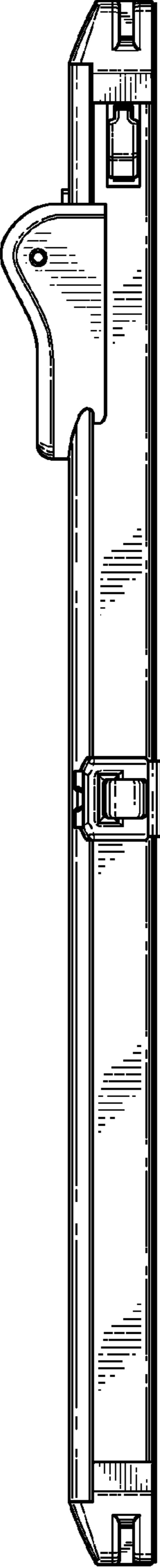


FIG. 8