



US00D677536S

(12) **United States Design Patent**  
**Liu**

(10) **Patent No.:** **US D677,536 S**  
(45) **Date of Patent:** **\*\* Mar. 12, 2013**

(54) **SWITCHING MEMBER FOR A RATCHET TOOL**

6,295,896 B1 \* 10/2001 I-He ..... 81/63  
7,162,937 B1 \* 1/2007 Weng ..... 81/63.2  
7,263,918 B1 \* 9/2007 Chen ..... 81/63.1

(76) Inventor: **Chao-Chih Liu**, Taichung (TW)

\* cited by examiner

(\*\*) Term: **14 Years**

*Primary Examiner* — Raphael Barkai  
*Assistant Examiner* — Randall Gholson

(21) Appl. No.: **29/429,369**

(57) **CLAIM**

(22) Filed: **Aug. 10, 2012**

The ornamental design for a switching member for a ratchet tool, as shown and described.

(51) **LOC (9) Cl.** ..... **08-05**

**DESCRIPTION**

(52) **U.S. Cl.** ..... **D8/25**

(58) **Field of Classification Search** ..... D8/21-29;  
81/58.3-59.16, 177.1, 177.85, 121.1, 124.3,  
81/165-170, 110.1, 176.2, 124.6, 176.1,  
81/176.15, 63, 63.1, 63.2, 177.2; 16/110.1;  
D15/144.1; 219/75, 227, 229, 121.16, 121.18  
See application file for complete search history.

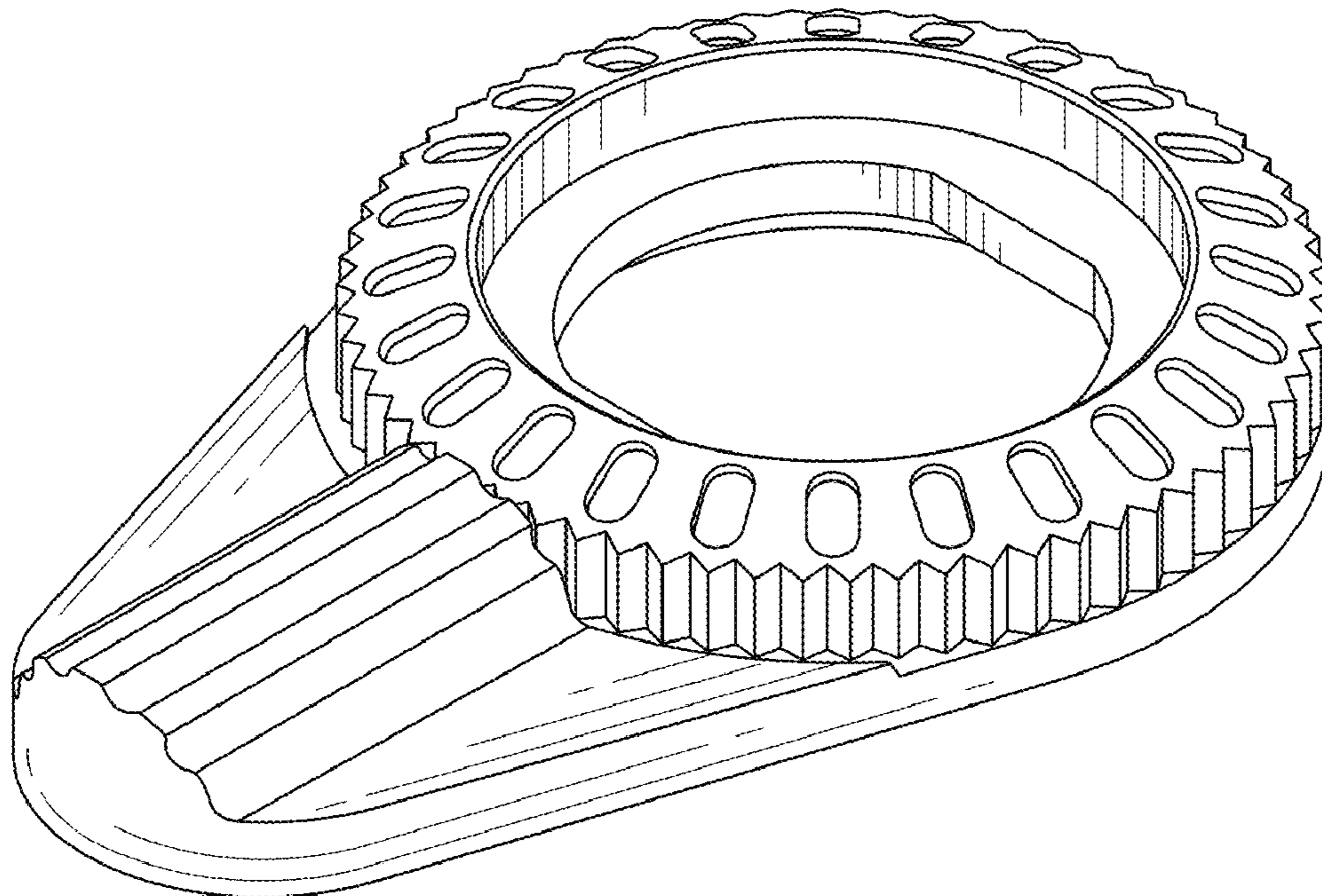
FIG. 1 is a perspective view of a switching member for a ratchet tool showing my new design;  
FIG. 2 is a front elevational view thereof;  
FIG. 3 is a rear elevational view thereof;  
FIG. 4 is a left side view thereof;  
FIG. 5 is a right side view thereof;  
FIG. 6 is a top plan view thereof;  
FIG. 7 is a bottom plan view thereof; and,  
FIG. 8 is an assembled view for showing the switching member for a ratchet tool which is assembled to a ratchet tool, wherein the broken line portion is for illustrative purpose only and forms no part of the claimed design.

(56) **References Cited**

U.S. PATENT DOCUMENTS

5,012,705 A \* 5/1991 Chow ..... 81/63  
5,178,047 A \* 1/1993 Arnold et al. .... 81/63.2  
D441,624 S \* 5/2001 Hsu ..... D8/25  
6,260,448 B1 \* 7/2001 Chaconas ..... 81/63

**1 Claim, 6 Drawing Sheets**



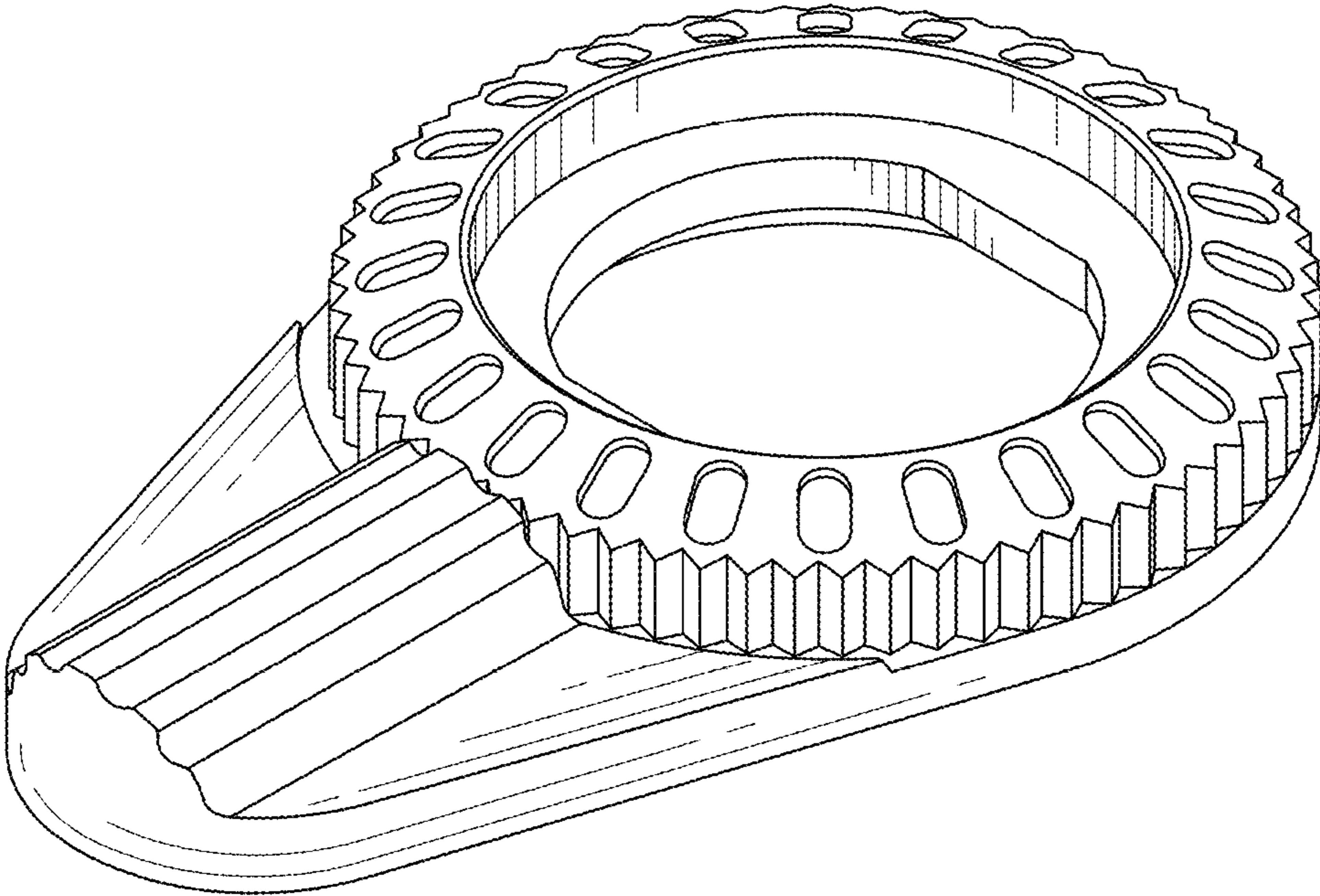


FIG. 1

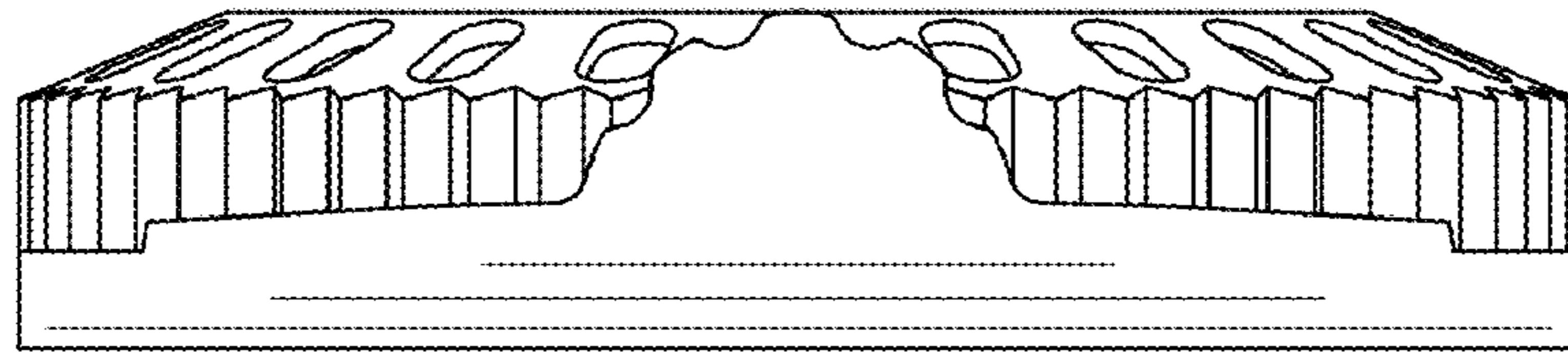


FIG. 2

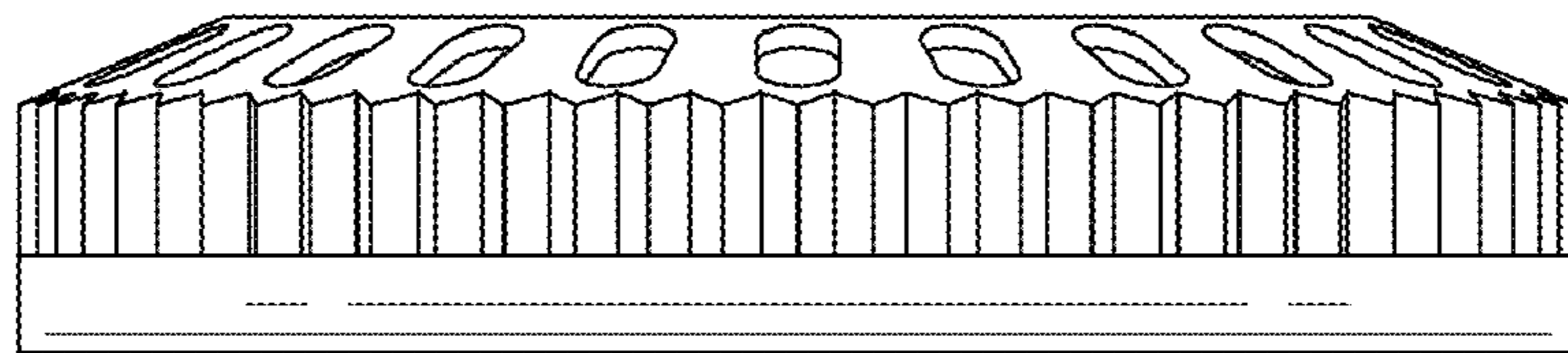


FIG. 3

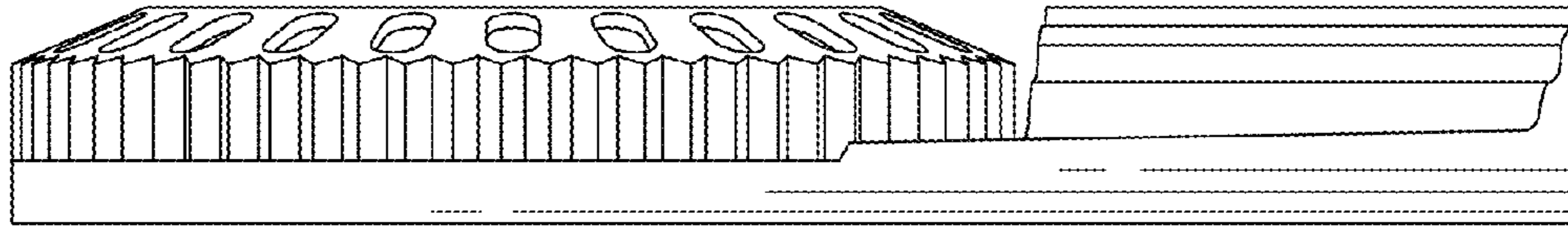


FIG. 4

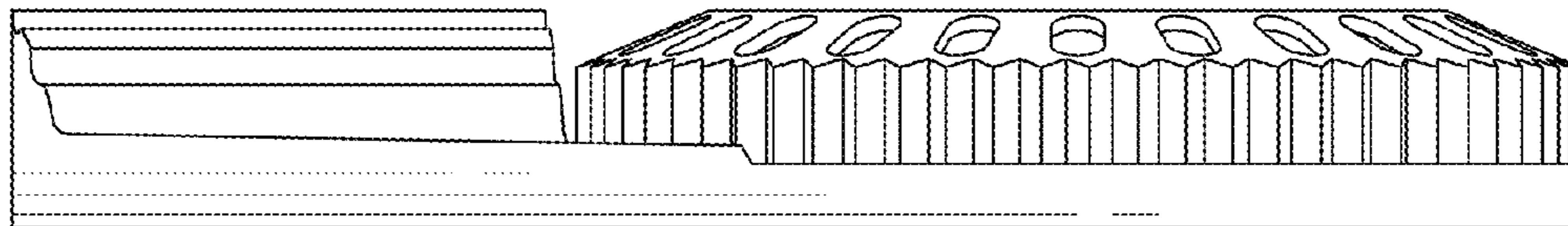


FIG. 5

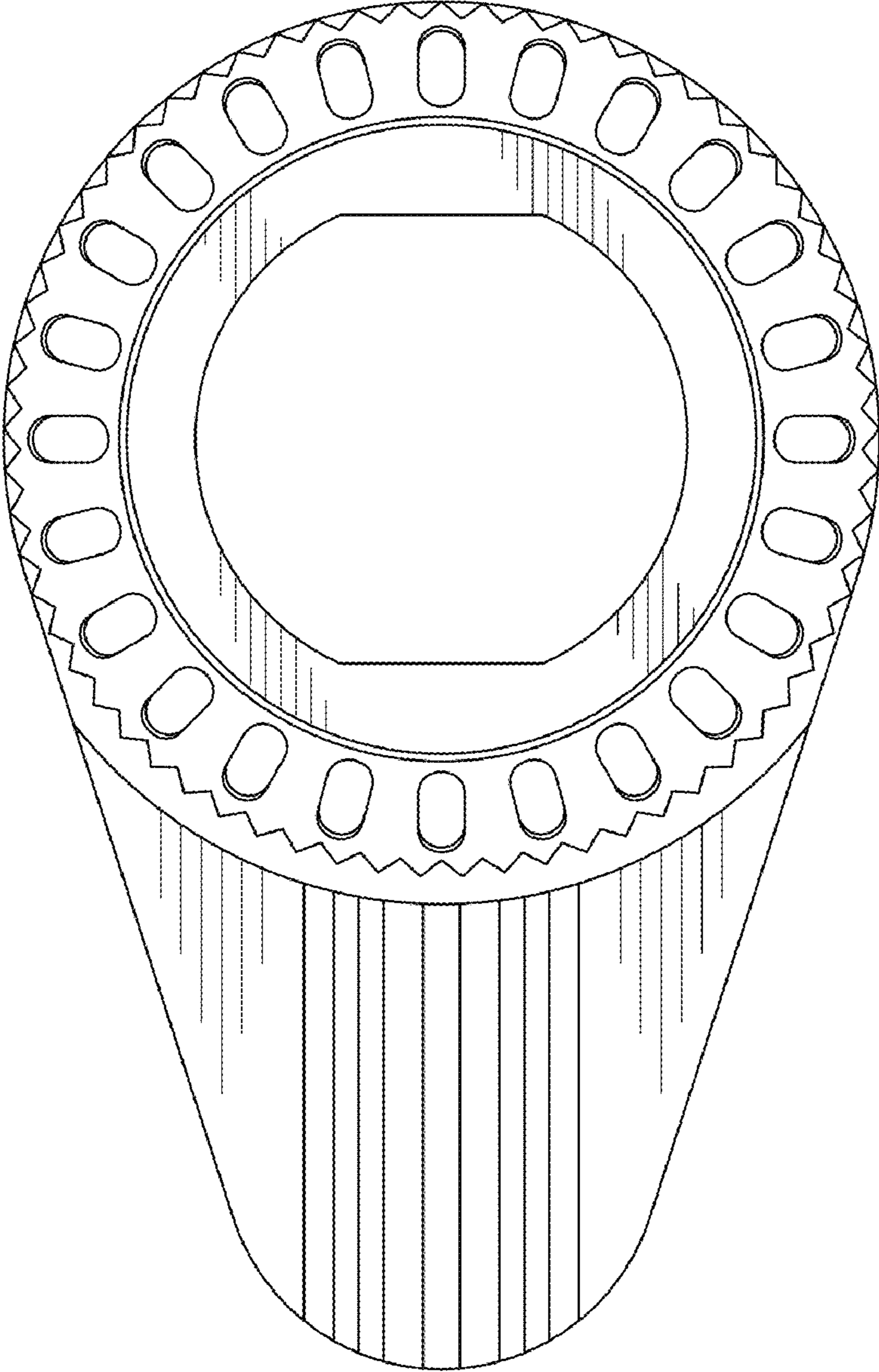


FIG. 6

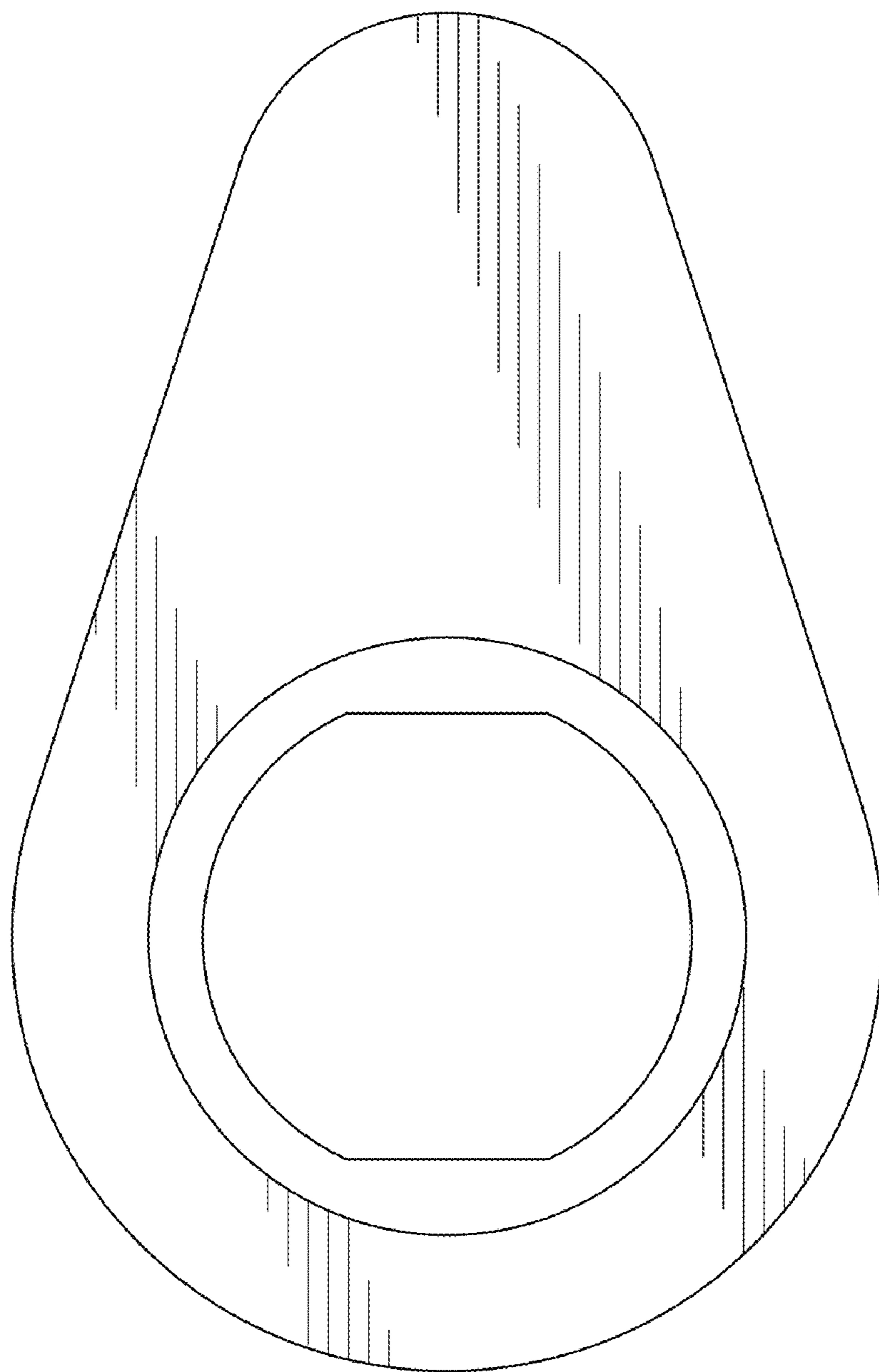


FIG. 7

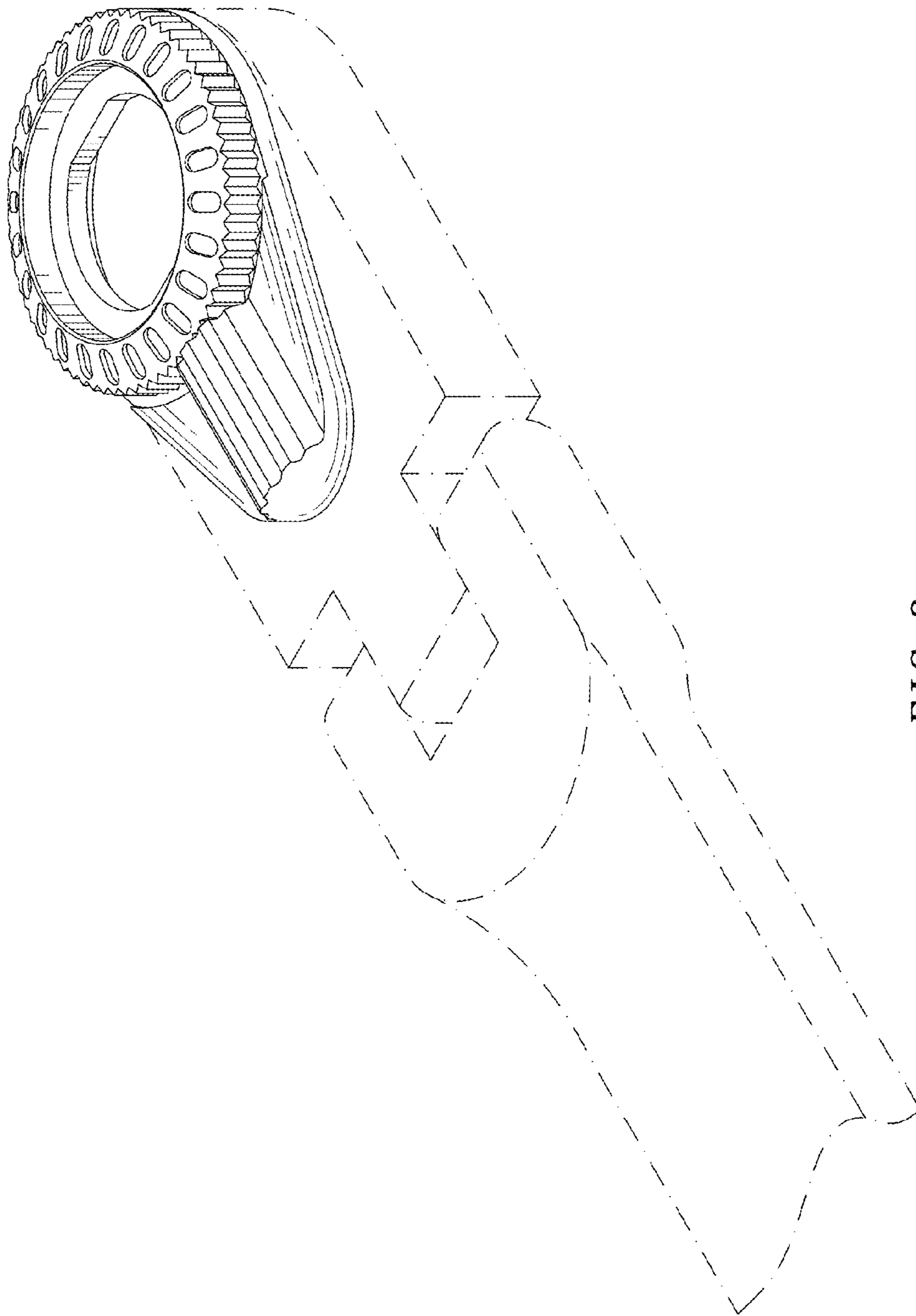


FIG. 8