



US00D677535S

(12) **United States Design Patent**
Scott

(10) **Patent No.:** **US D677,535 S**
(45) **Date of Patent:** **** Mar. 12, 2013**

(54) **REPLACEMENT NOZZLE FOR A CAULKING TUBE**

(76) Inventor: **Russell J. Scott**, Gorham, NH (US)

(**) Term: **14 Years**

(21) Appl. No.: **29/418,678**

(22) Filed: **Apr. 19, 2012**

(51) **LOC (9) Cl.** **08-05**

(52) **U.S. Cl.** **D8/14.1**

(58) **Field of Classification Search** D8/14,
D8/14.1; D9/447; 222/325, 326, 340, 527,
222/566, 567, 568; 215/235, 237, 239, 244;
401/261; 74/141.5

See application file for complete search history.

(56) **References Cited**

U.S. PATENT DOCUMENTS

554,780	A *	2/1896	Hulings	222/324
4,957,225	A	9/1990	Childers		
5,029,738	A *	7/1991	Dillon	222/527
5,249,716	A	10/1993	O'Sullivan		
D377,891	S *	2/1997	Bencich	D8/14.1
5,894,956	A	4/1999	Keith		
D412,117	S *	7/1999	Page	D9/447
6,022,504	A	2/2000	Boaz et al.		
6,076,712	A *	6/2000	Esber et al.	222/527
D468,601	S *	1/2003	Horst	D8/14.1
D476,538	S *	7/2003	Dorff et al.	D8/14.1

7,014,079	B2	3/2006	Swann		
D598,722	S *	8/2009	Coll	D8/14.1
D660,106	S *	5/2012	Cross	D8/14.1
2004/0035888	A1	2/2004	Chick		
2005/0173472	A1 *	8/2005	Page	222/568
2007/0102484	A1 *	5/2007	Baldwin	228/101
2011/0220687	A1 *	9/2011	Schneider et al.	222/566
2012/0037670	A1 *	2/2012	Stevens	222/541.9

* cited by examiner

Primary Examiner — Philip S Hyder

Assistant Examiner — Darlington Ly

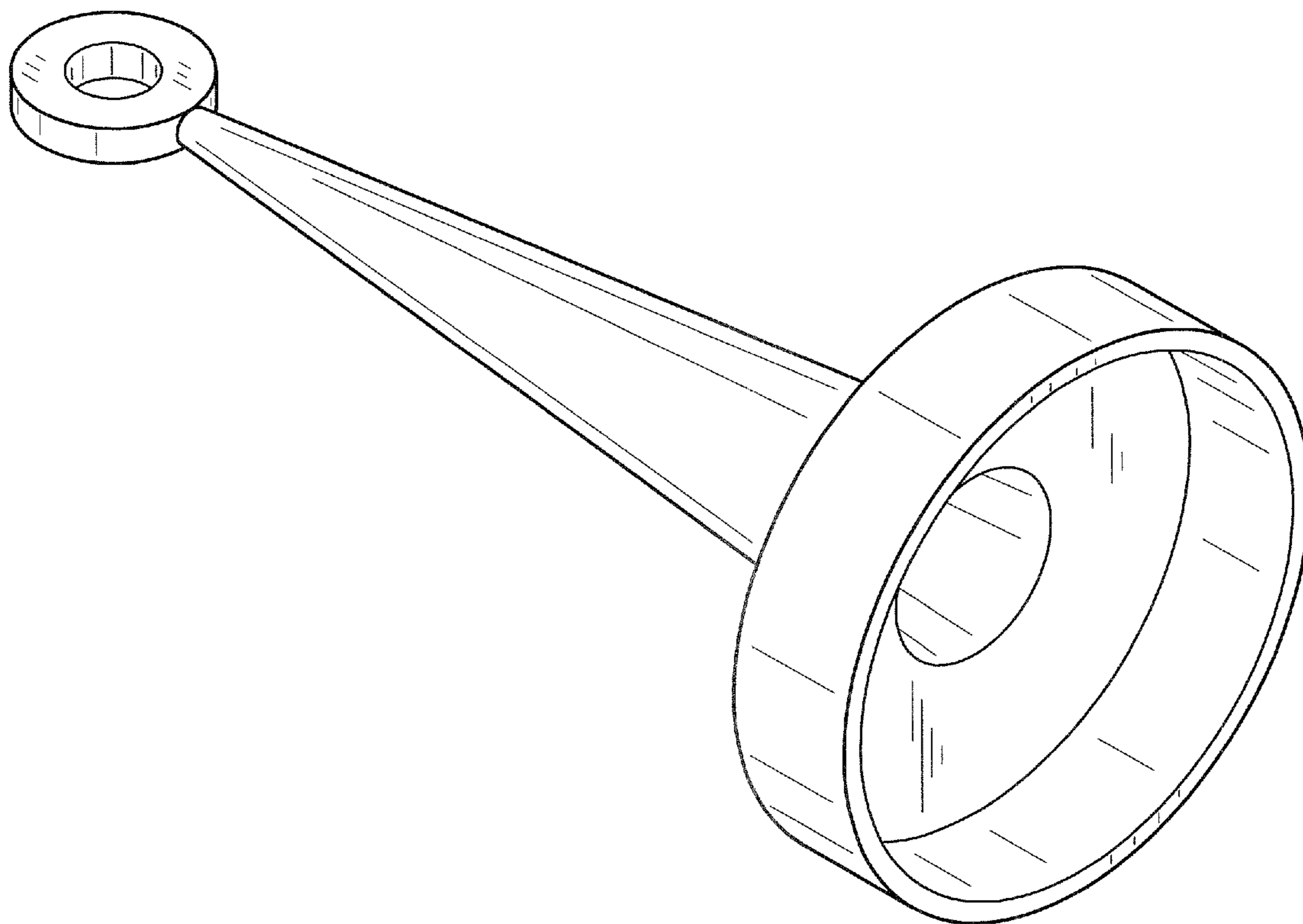
(57) **CLAIM**

The ornamental design for a replacement nozzle for a caulking tube, as shown and described.

DESCRIPTION

FIG. 1 is a perspective view of a replacement nozzle for a caulking tube showing my new design;
 FIG. 2 is a front view (back view is mirror image) thereof;
 FIG. 3 is a side view (opposite side view is mirror image) thereof;
 FIG. 4 is a top view thereof;
 FIG. 5 is a bottom view thereof; and,
 FIG. 6 is another perspective view thereof.
 In FIG. 6, the broken lines showing of environmental structure for purposes of illustrating the replacement nozzle for a caulking tube in a condition of use. The broken lines and the structure they depict form no part of the claimed design.

1 Claim, 5 Drawing Sheets



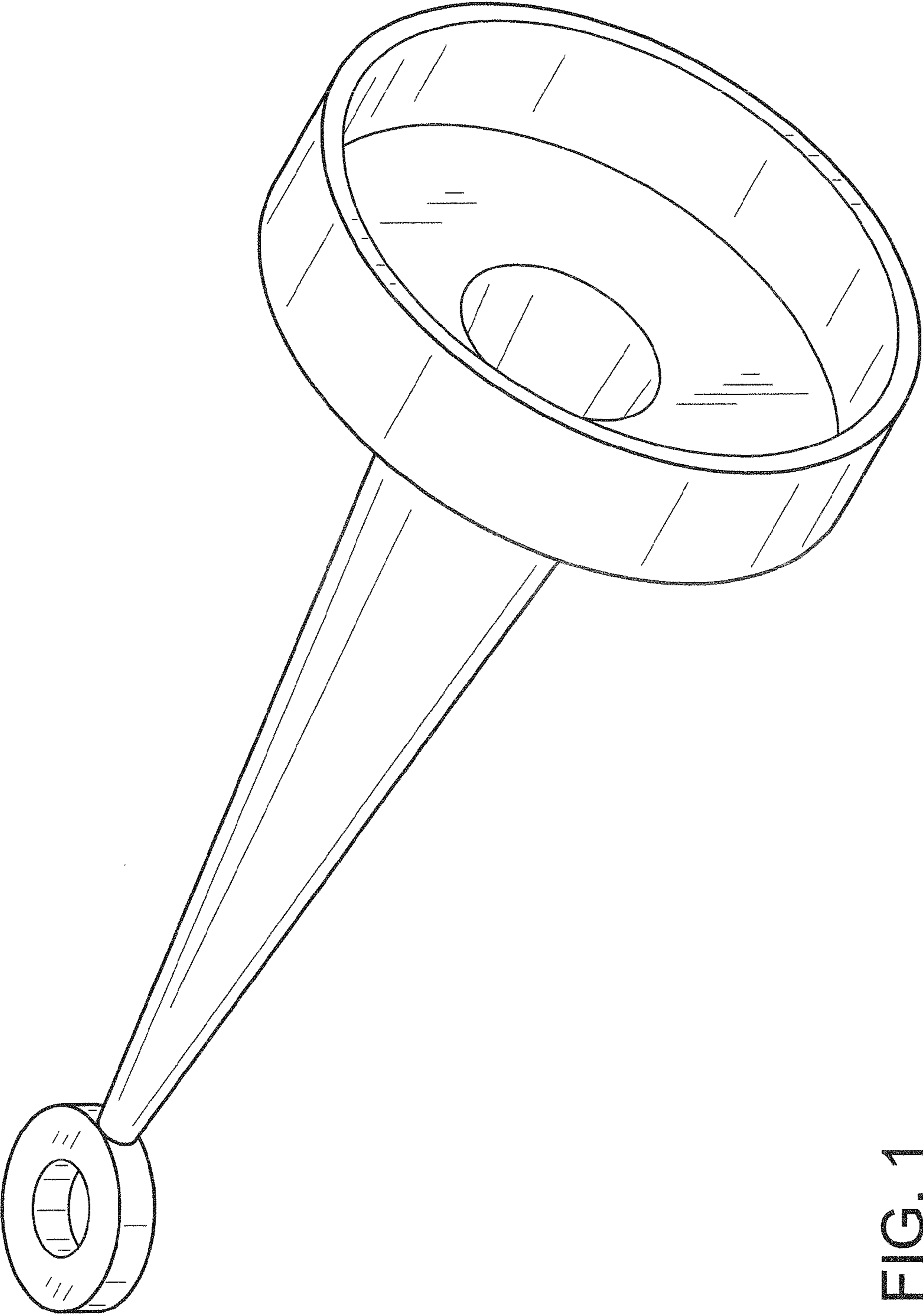


FIG. 1

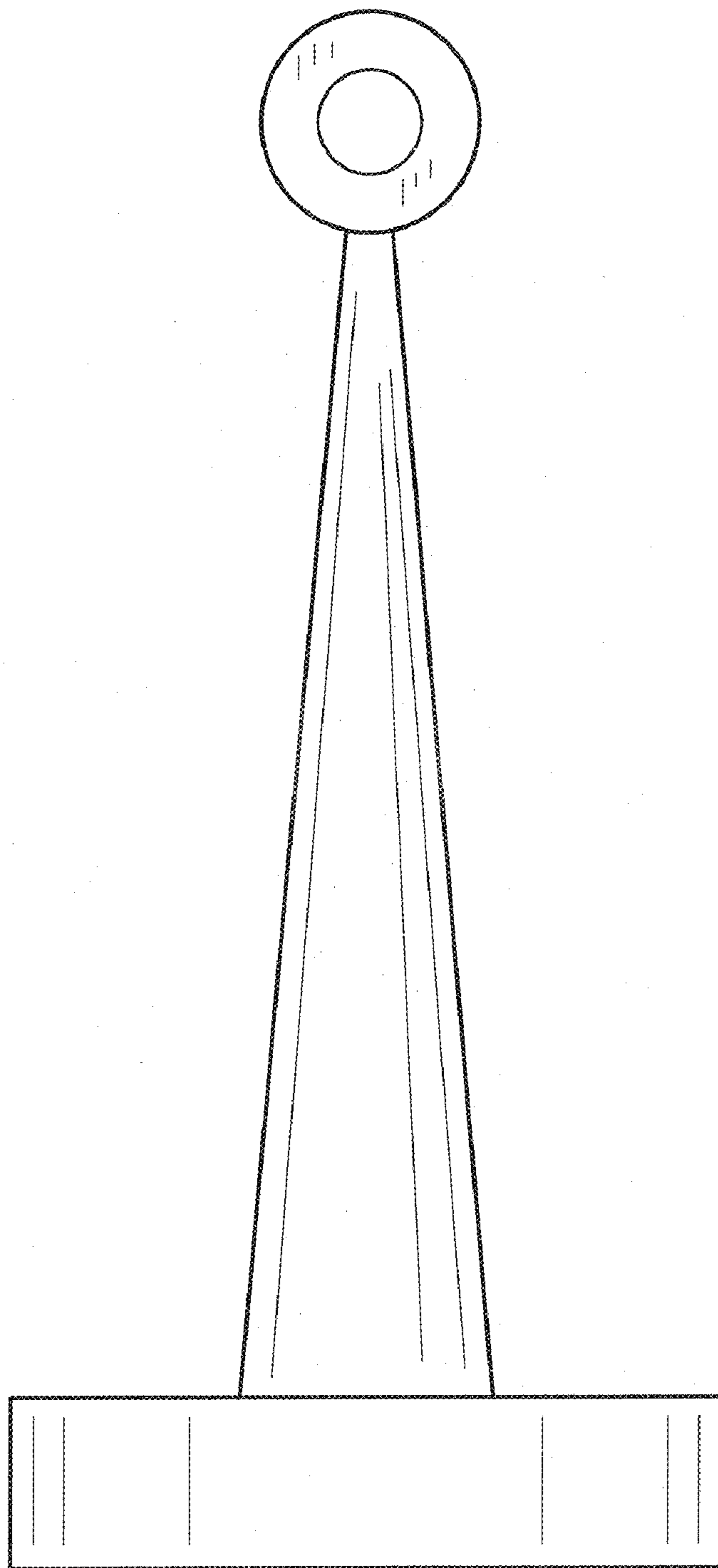


FIG. 2

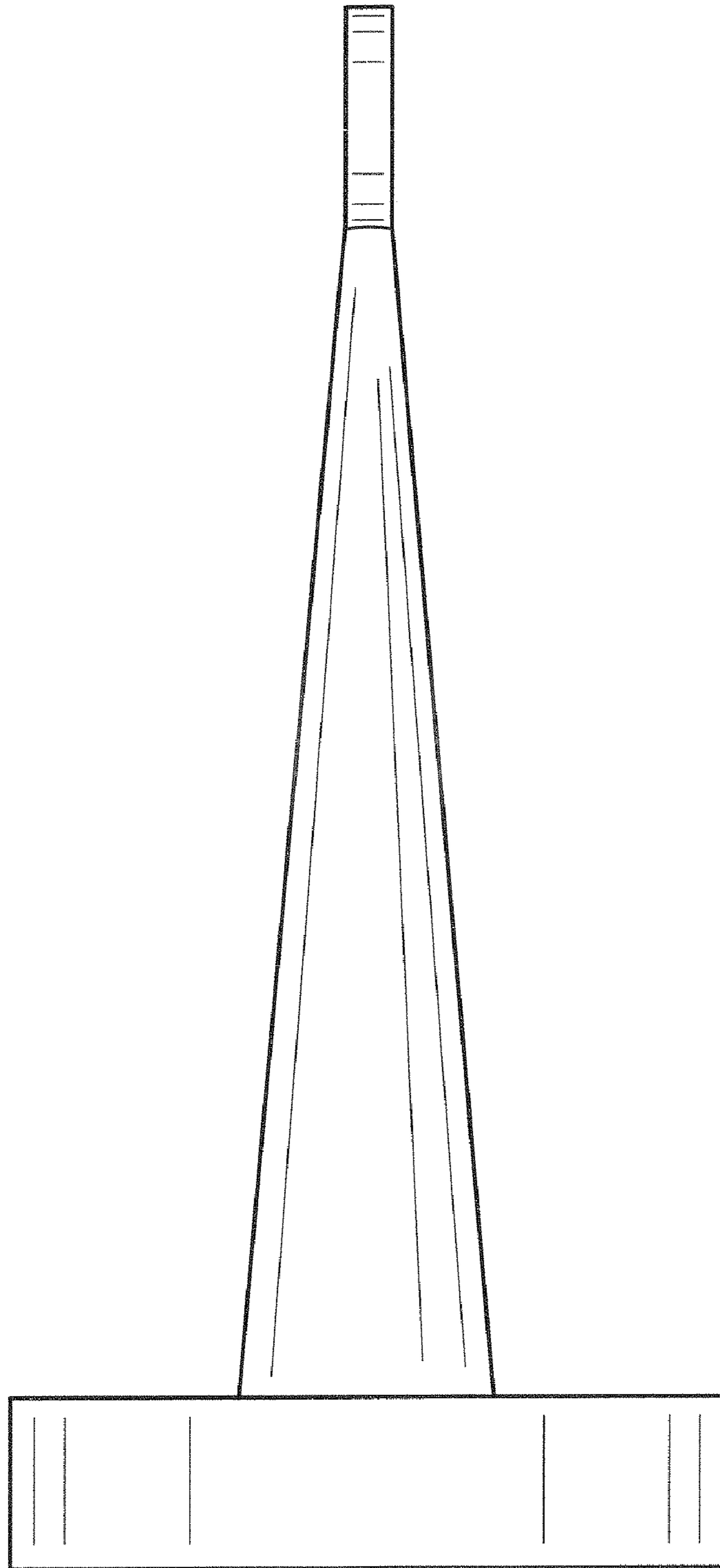


FIG. 3

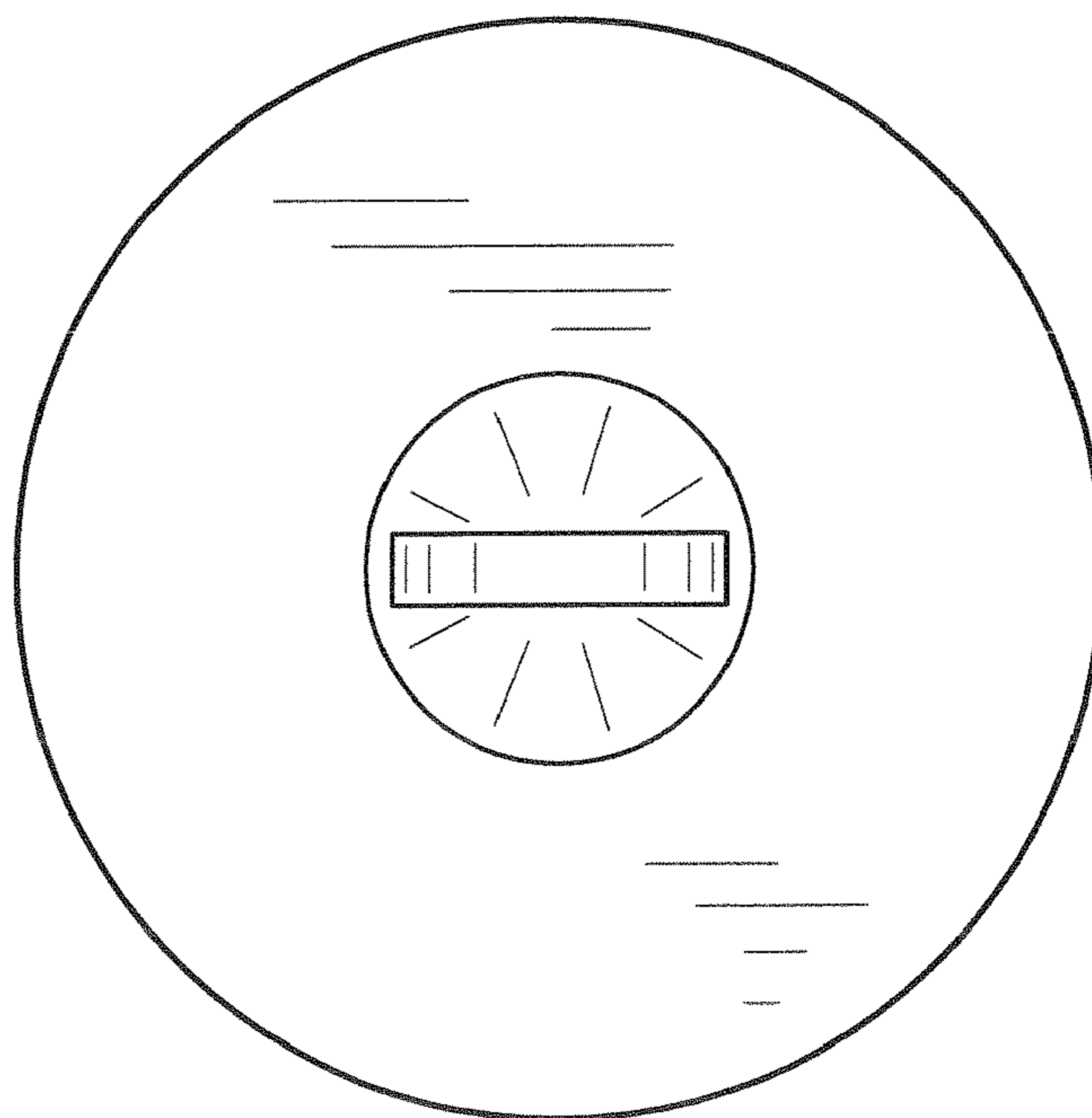


FIG. 4

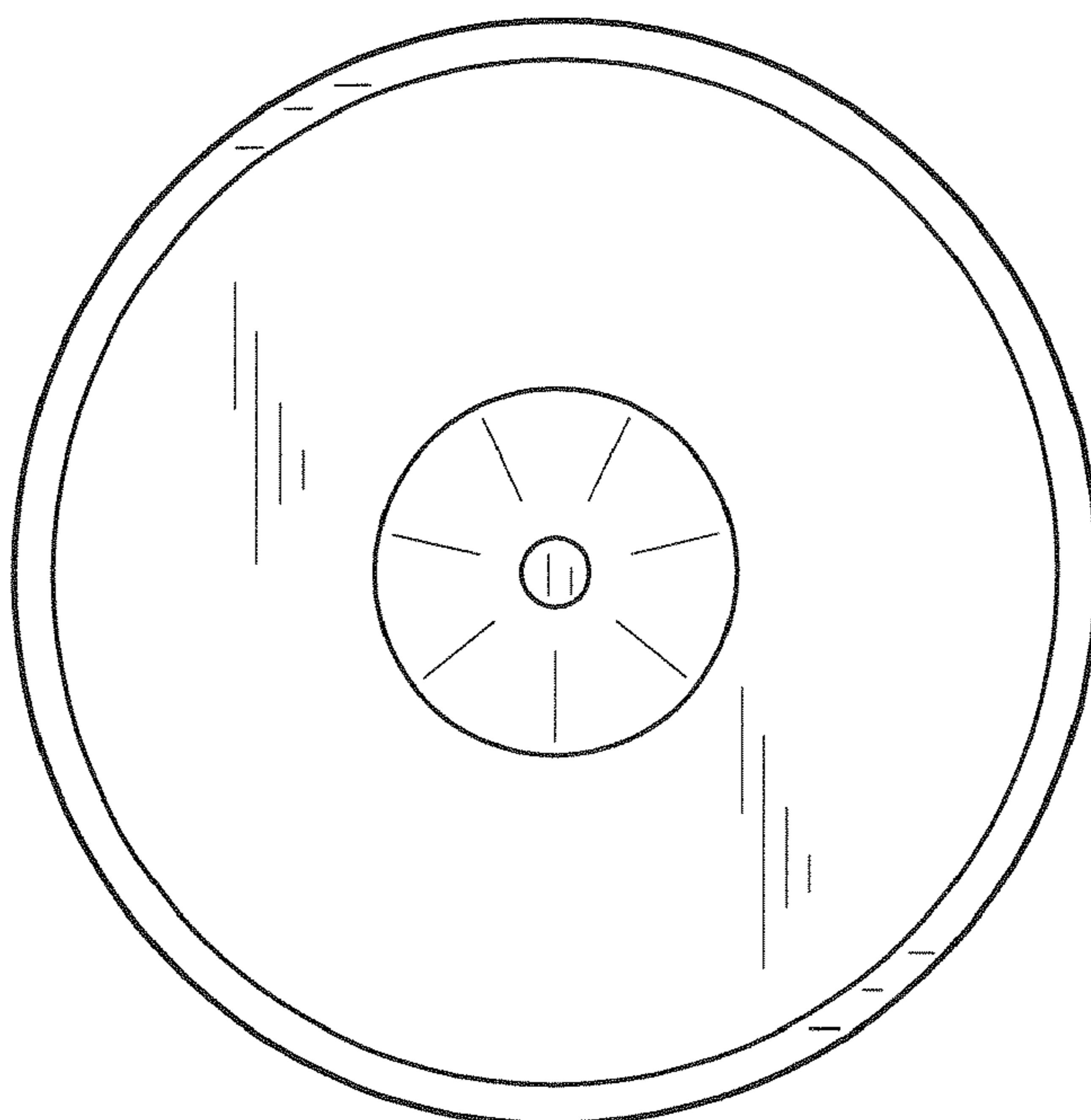


FIG. 5

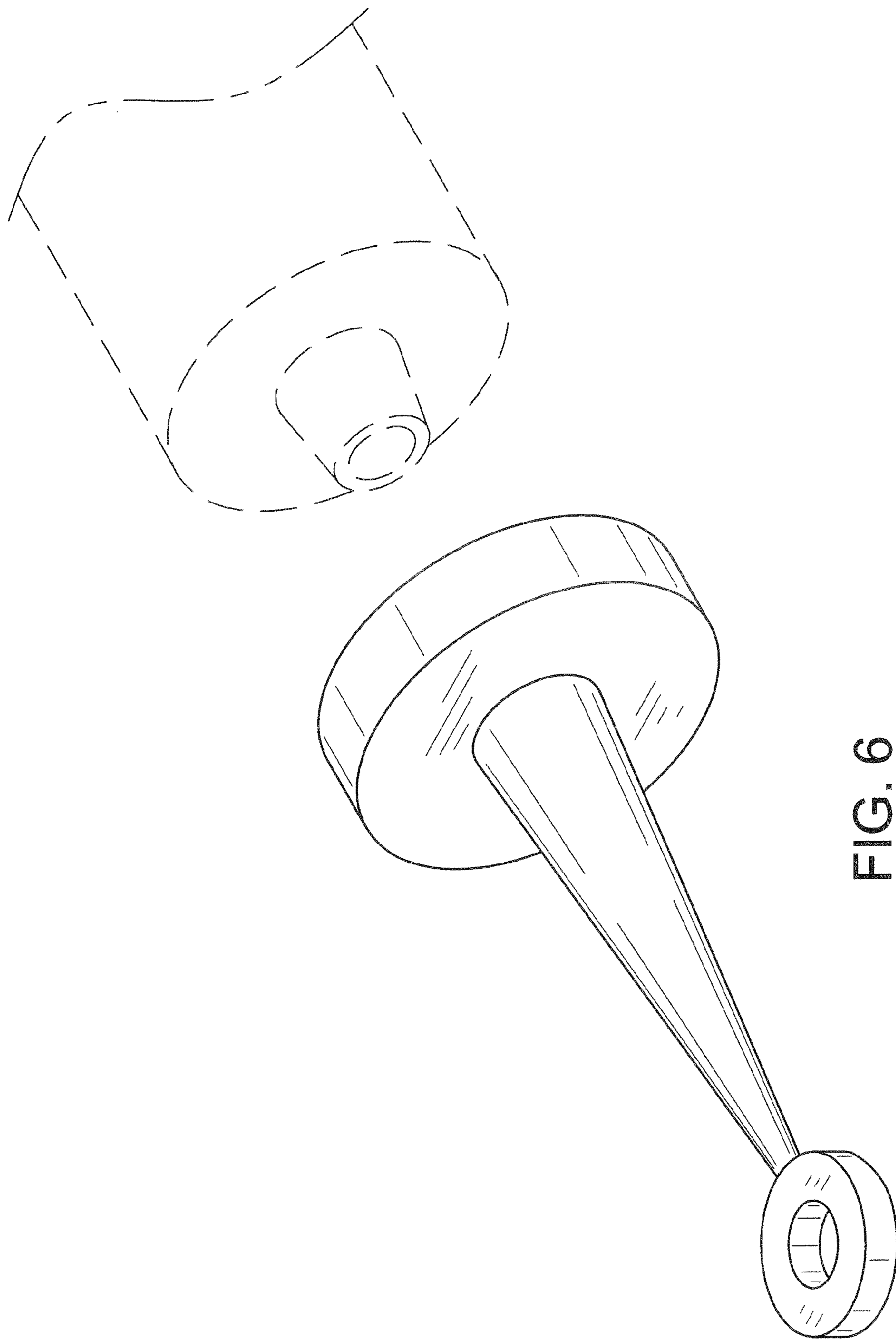


FIG. 6