



US00D677534S

(12) **United States Design Patent**  
**Roggenbuck et al.**

(10) **Patent No.:** **US D677,534 S**  
(45) **Date of Patent:** **\*\* Mar. 12, 2013**

(54) **COMBINED MODULAR TOMATO SUPPORT TOWER AND CONNECTION ROD**

(76) Inventors: **Jeffrey A. Roggenbuck**, Green Lake, WI (US); **Linda M. Roggenbuck**, Green Lake, WI (US)

(\*\*) Term: **14 Years**

(21) Appl. No.: **29/379,565**

(22) Filed: **Nov. 22, 2010**

(51) **LOC (9) Cl.** ..... **08-01**

(52) **U.S. Cl.** ..... **D8/1**

(58) **Field of Classification Search** ..... D8/1, 349, D8/354; 47/45, 42-44, 46-47, 485; 248/156  
See application file for complete search history.

(56) **References Cited**

**U.S. PATENT DOCUMENTS**

2,067,589	A *	1/1937	Antrim	.....	47/1.3
3,472,133	A *	10/1969	Ziehm, Jr.	.....	404/7
3,559,339	A	2/1971	Worley		
4,026,068	A	5/1977	Tepper		
4,073,091	A	2/1978	Vogel		
4,175,356	A *	11/1979	Allen	.....	47/48.5
4,285,163	A	8/1981	Booker, Jr.		
4,519,162	A	5/1985	Stuckey		
4,667,438	A	5/1987	Corell		
4,922,653	A	5/1990	Stone		
5,058,315	A *	10/1991	Wagner	.....	47/1.01 R
5,323,559	A	6/1994	Allman		
5,492,302	A *	2/1996	Odom, Jr.	.....	248/524
5,544,446	A	8/1996	Benson, Jr.		
5,640,802	A	6/1997	Elliott		
5,711,107	A *	1/1998	Louisiana	.....	47/45
5,732,516	A *	3/1998	Ellsworth	.....	52/155
6,088,956	A	7/2000	Rocka		
D432,371	S	10/2000	Ballard		
D447,025	S *	8/2001	Hughes	.....	D8/1
D466,379	S *	12/2002	Barbi et al.	.....	D8/1
6,925,754	B1 *	8/2005	Tearoe	.....	47/47

7,219,467	B1	5/2007	Branman		
D576,020	S *	9/2008	Arcati	.....	D8/349
D577,966	S *	10/2008	Cosimo	.....	D8/1
D615,831	S *	5/2010	Whitney et al.	.....	D8/1
2006/0053689	A1	3/2006	Smith		

\* cited by examiner

*Primary Examiner* — Sheryl Lane

(74) *Attorney, Agent, or Firm* — Robert C. Montgomery; Montgomery Patent & Design

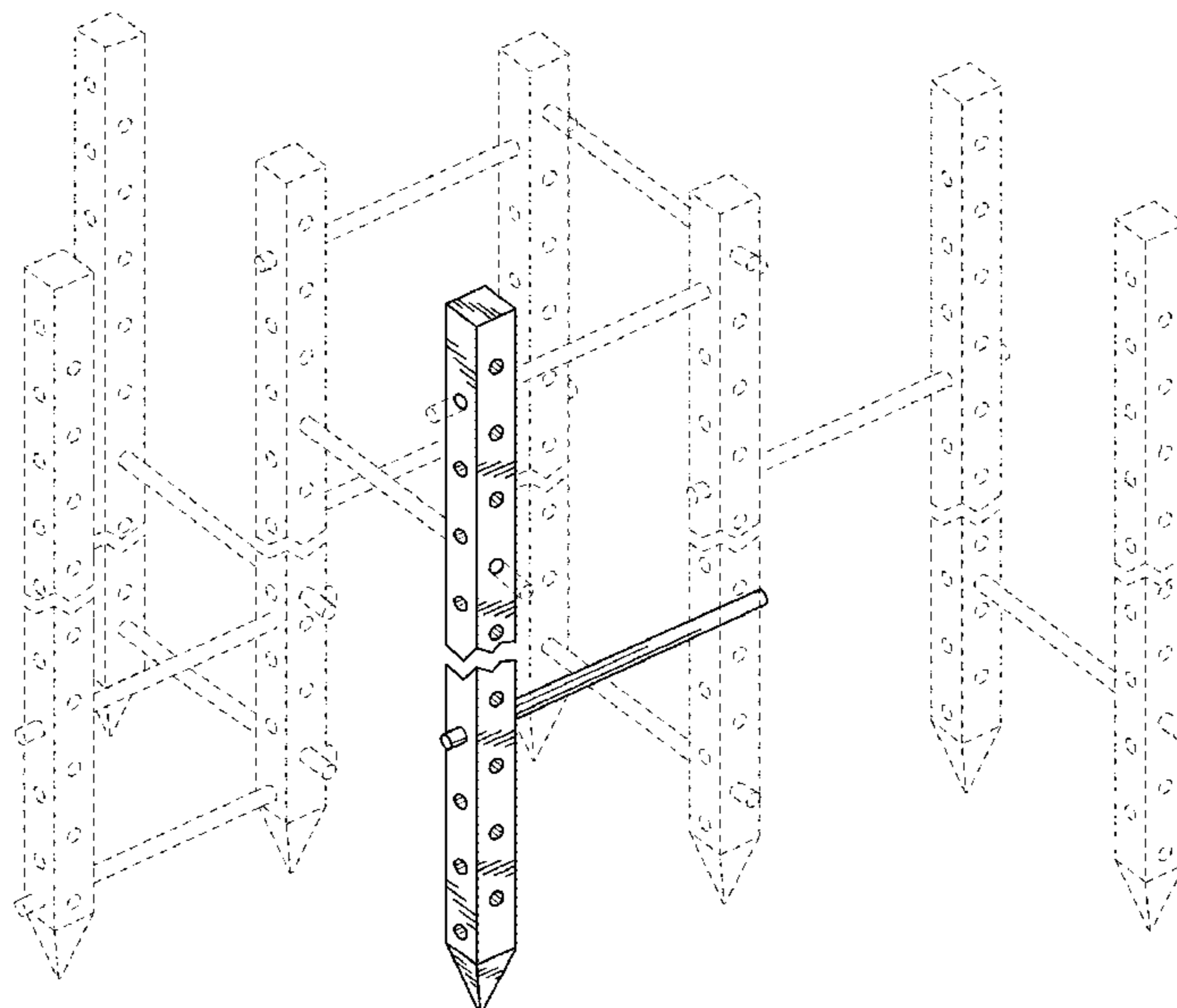
(57) **CLAIM**

The ornamental design for a combined modular tomato support tower and connecting rod, as shown and described.

**DESCRIPTION**

FIG. 1 is an environmental perspective view of a plurality of combined modular tomato support towers and connecting rods arranged in a connected state, showing our new design; FIG. 2 is a perspective view of a modular tomato support tower with a connecting rod selectively inserted into one of a plurality of connecting rod apertures in the modular tomato support tower; FIG. 3 is an exploded perspective view of the modular support tower and connecting rod; FIG. 4 is front view thereof with a rear view being a mirror image; FIG. 5 is a left side view thereof with a right side view being a mirror image; FIG. 6 is a top view thereof; and, FIG. 7 is a bottom view thereof. The modular tomato support towers if FIGS. 1-7 are shown broken away to indicate indeterminate length. The broken line showing of a additional modular tomato towers and connecting rods shown in FIG. 1 is for the purpose of illustrating environment and forms no part of the claimed design.

**1 Claim, 6 Drawing Sheets**



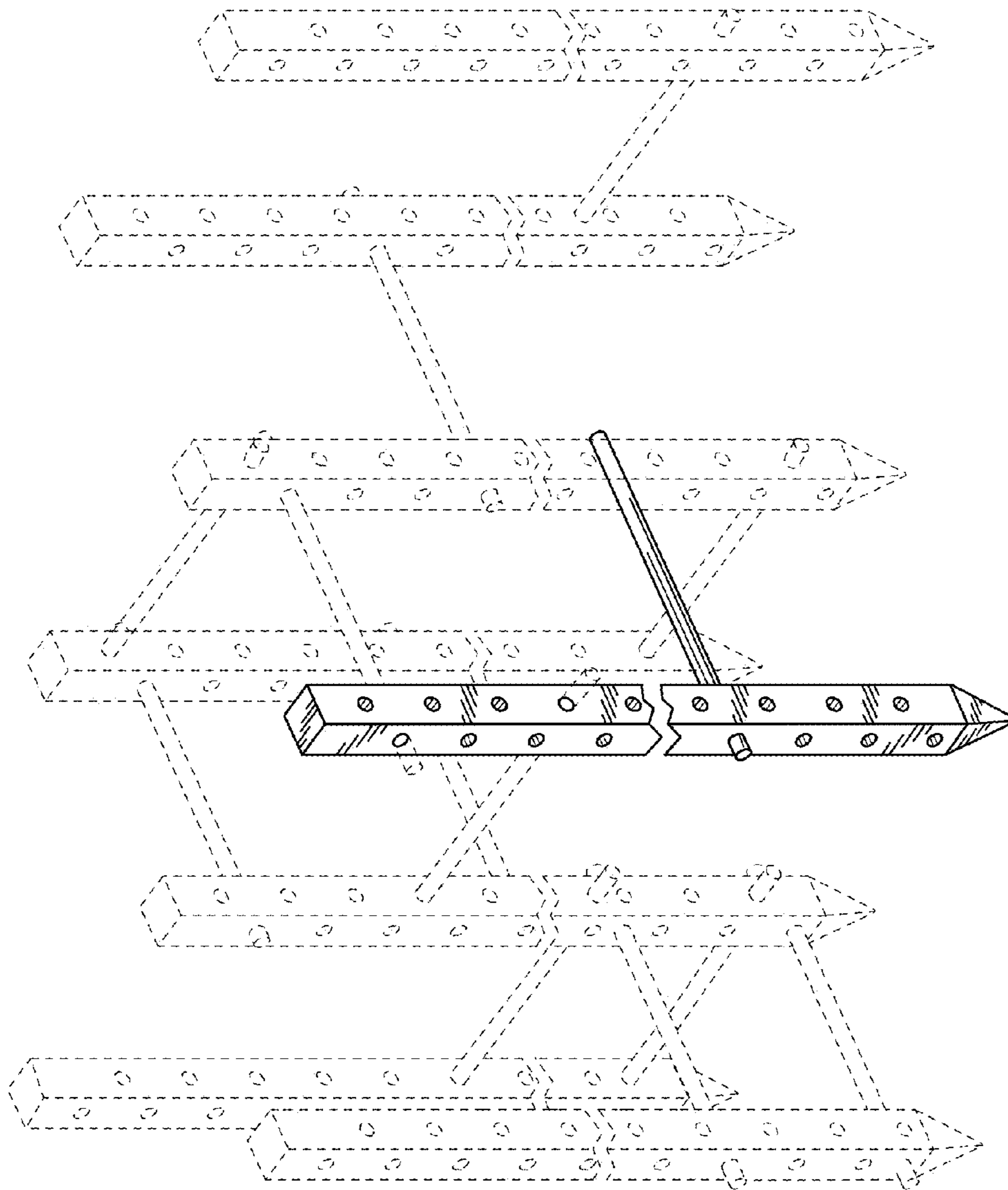


Fig. 1

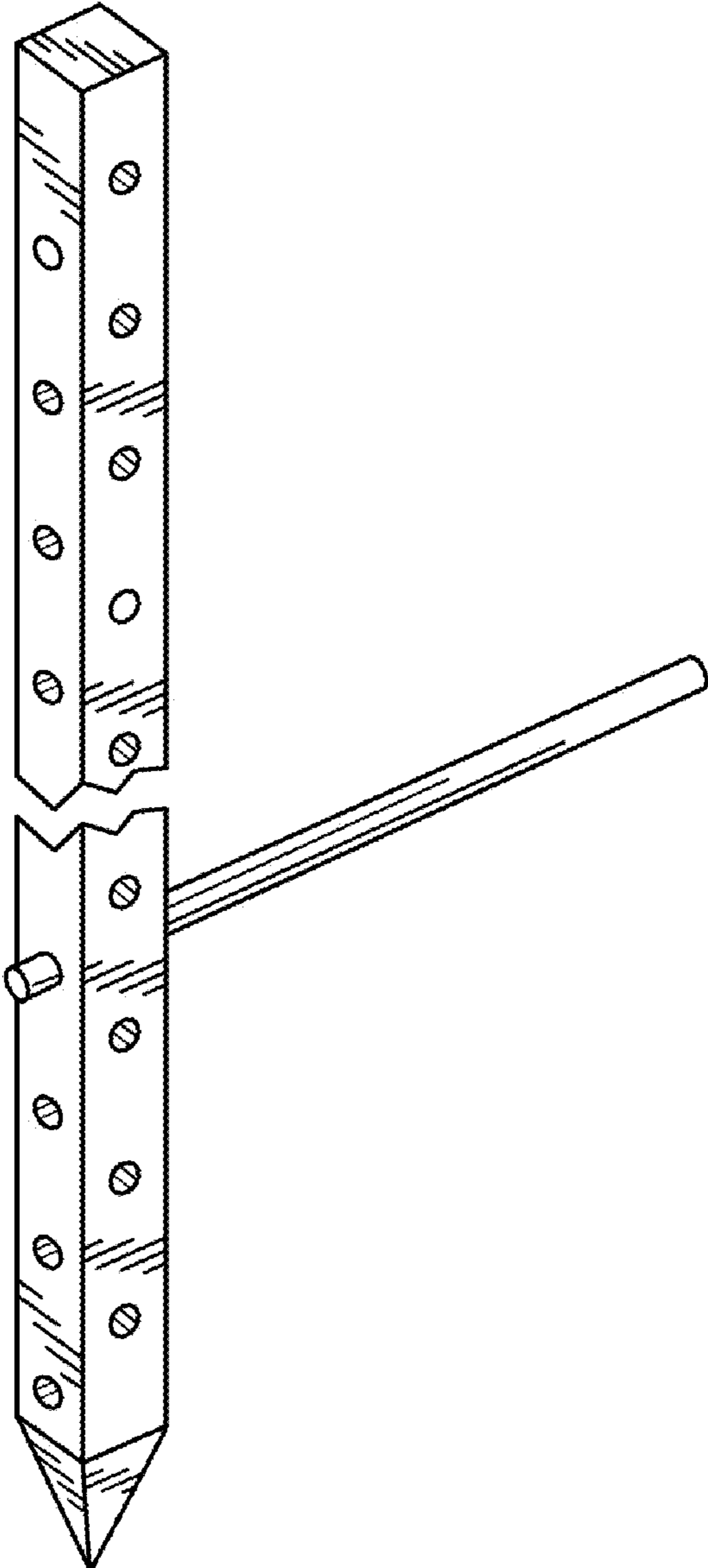


Fig. 2

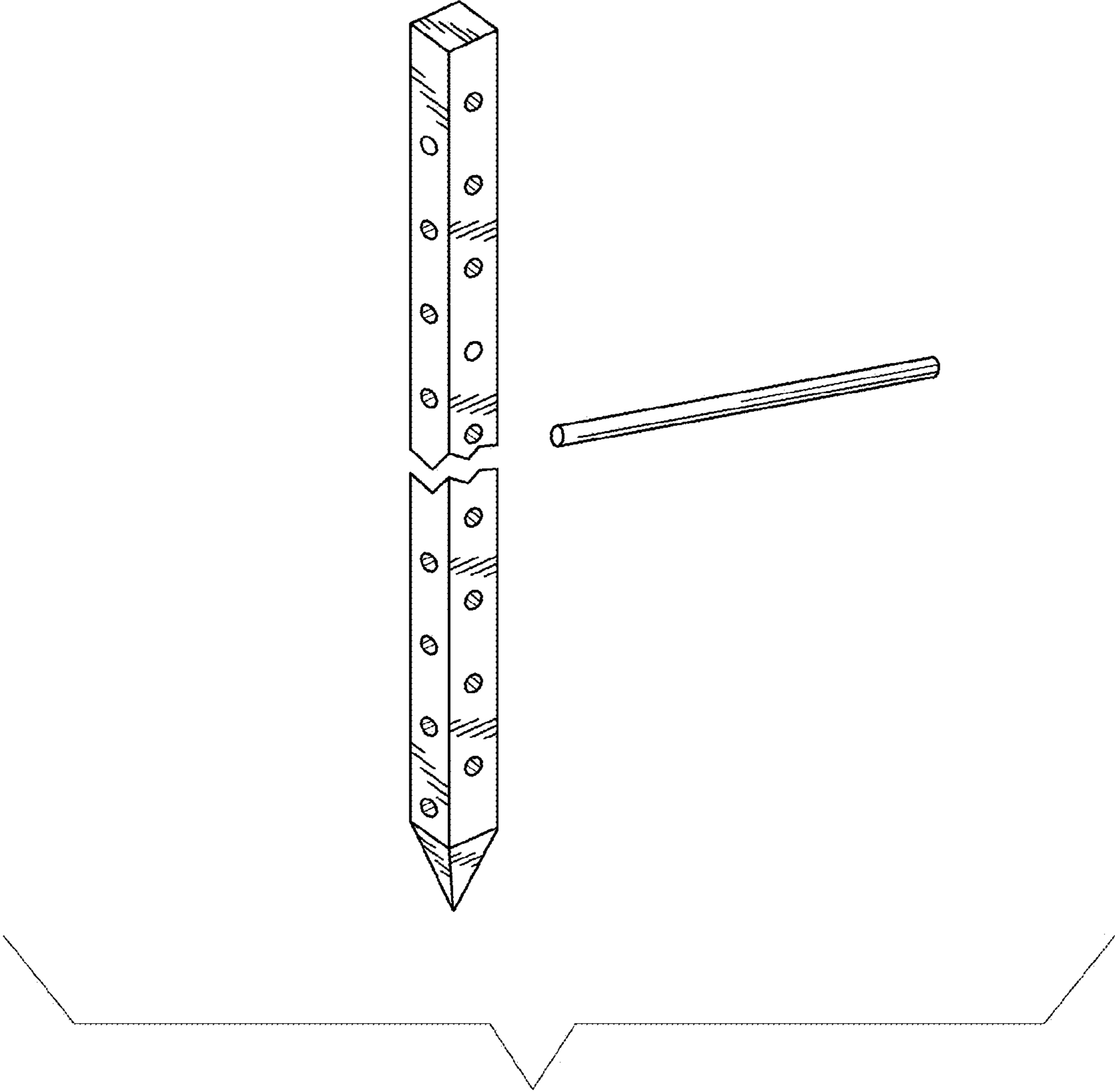


Fig. 3

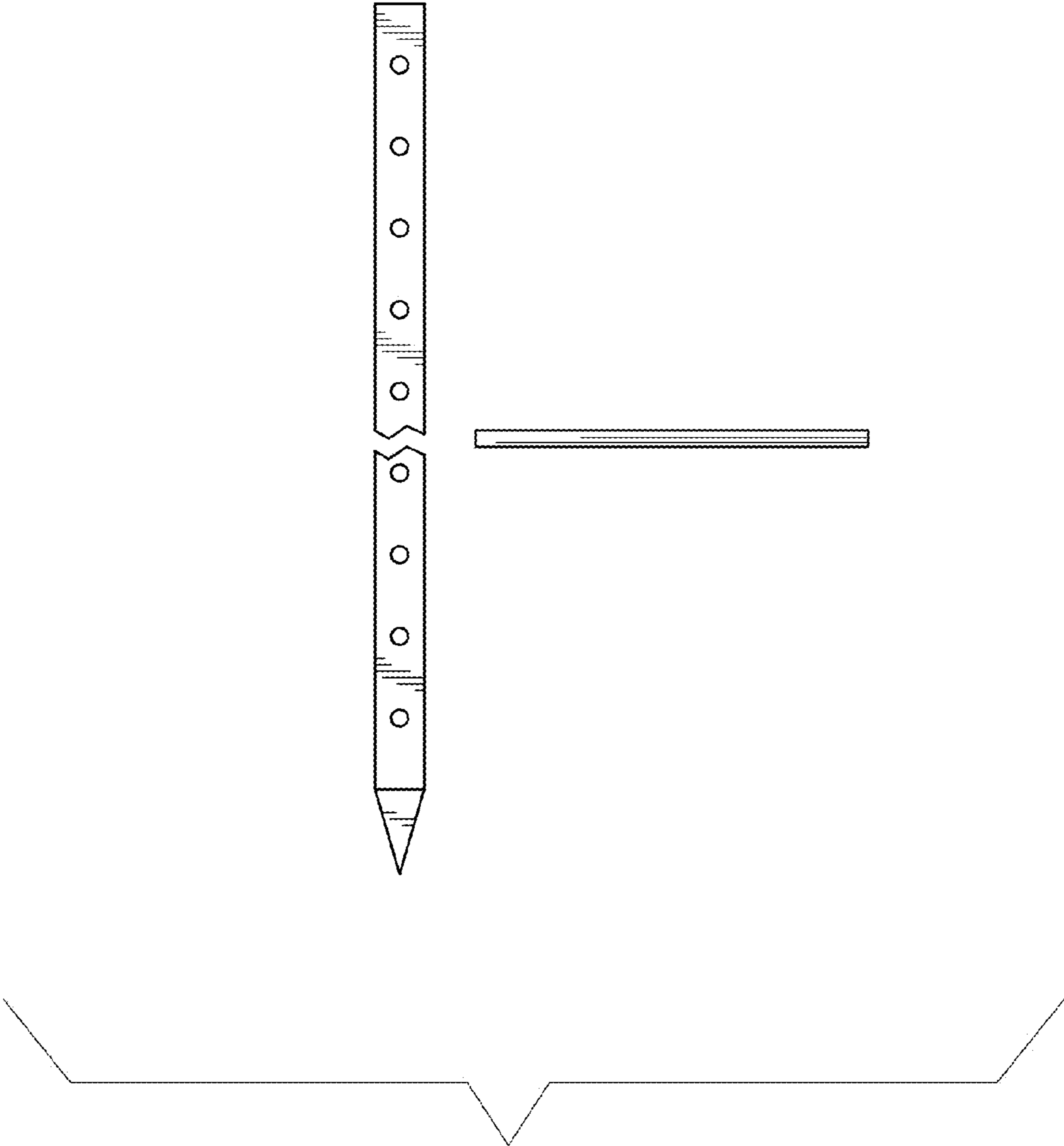


Fig. 4

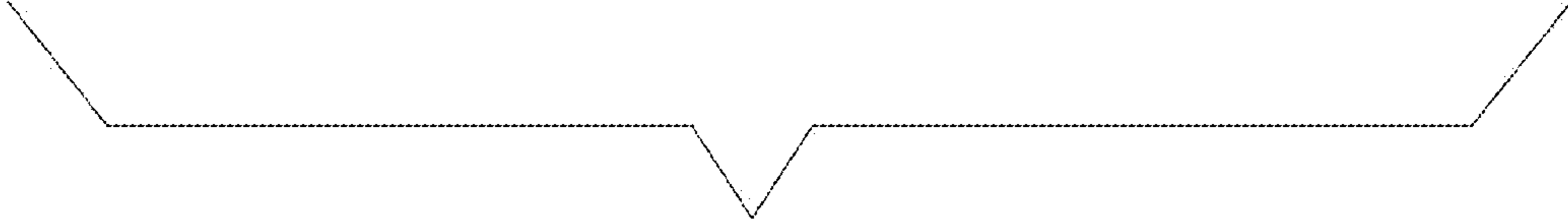


Fig. 5

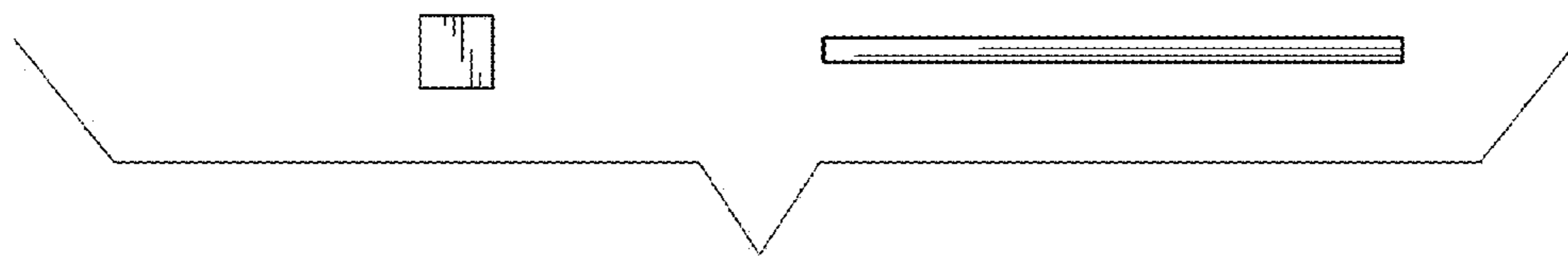


Fig. 6

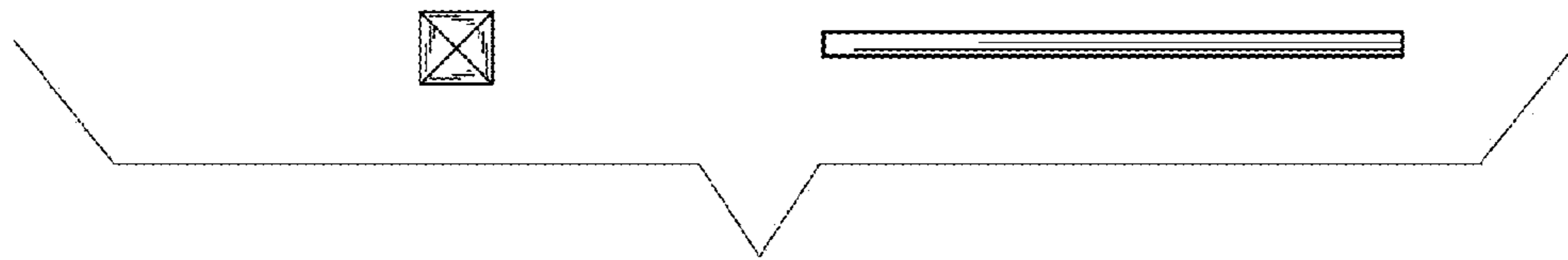


Fig. 7