

US00D677532S

(12) **United States Design Patent**
Joseph

(10) **Patent No.:** **US D677,532 S**
(45) **Date of Patent:** **** Mar. 12, 2013**

(54) **ELEVATE SPATULA**

(75) Inventor: **Antony Joseph**, London (GB)

(73) Assignee: **Joseph Joseph Ltd.**, London (GB)

(**) Term: **14 Years**

(21) Appl. No.: **29/394,772**

(22) Filed: **Jun. 21, 2011**

(30) **Foreign Application Priority Data**

Feb. 17, 2011 (EM) 001822743-0005

(51) **LOC (9) Cl.** **07-02**

(52) **U.S. Cl.** **D7/688**

(58) **Field of Classification Search** D7/642,
D7/653, 635, 368, 669, 688, 689, 690, 691,
D7/692, 401.2, 412, 662, 663, 664; D8/14,
D8/16, 19, 47; D32/40, 43, 46; 15/245,
15/245.1, 236.01, 236.07; 294/7, 8; 30/141-143,
30/147-150, 324-328

See application file for complete search history.

(56) **References Cited**

U.S. PATENT DOCUMENTS

D226,392 S * 2/1973 Lindbo D7/688
D265,601 S * 7/1982 Olsson D32/49
4,350,445 A * 9/1982 Olsson 366/343

D360,561 S * 7/1995 Littledeer D7/688
5,491,869 A * 2/1996 Sullivan et al. 15/245
D481,269 S * 10/2003 Siegel et al. D7/688
D496,230 S * 9/2004 Germany D7/688
D516,392 S * 3/2006 de Vries D7/688
D604,125 S * 11/2009 Griffith D7/688
D606,372 S * 12/2009 Gorskey et al. D7/688
D616,713 S * 6/2010 Jossem D7/688
D618,521 S * 6/2010 Jalet et al. D7/688
D628,447 S * 12/2010 Genatossio et al. D7/688
D631,711 S * 2/2011 Jossem et al. D7/688
D658,951 S * 5/2012 Jossem et al. D7/688

* cited by examiner

Primary Examiner — Elizabeth J Oswecki

(74) *Attorney, Agent, or Firm* — Millen, White, Zelano & Branigan, P.C.

(57) **CLAIM**

The ornamental design for an elevated spatula, as shown and described.

DESCRIPTION

FIG. 1 is a side view of an elevated spatula showing my new design; and,

FIG. 2 is a bottom view thereof.

FIGS. 1 and 2 show an elevated spatula with a flat top and a single bump on the bottom side where the head and handle of the elevated spatula are joined.

All surfaces not shown form no part of the claimed design.

1 Claim, 2 Drawing Sheets

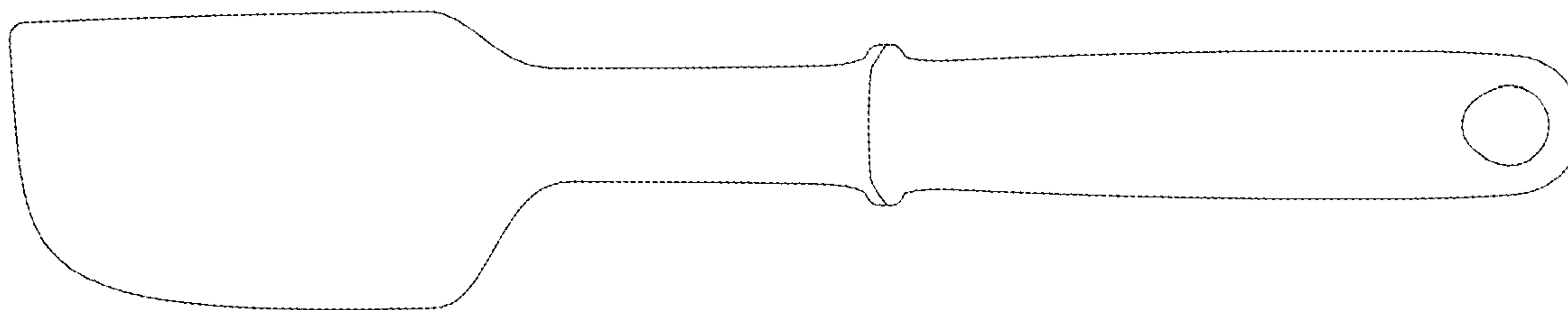


Figure 1

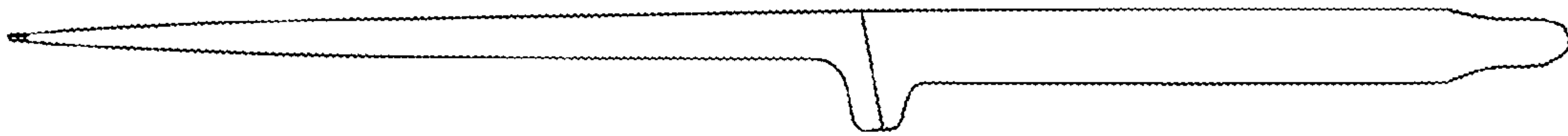


Figure 2

