



US00D677531S

(12) **United States Design Patent**
Berzak

(10) **Patent No.:** **US D677,531 S**

(45) **Date of Patent:** **** Mar. 12, 2013**

(54) **NAPKIN HOLDER**

(76) Inventor: **Amanda Berzak**, Solana Beach, CA
(US)

(**) Term: **14 Years**

(21) Appl. No.: **29/430,389**

(22) Filed: **Aug. 24, 2012**

Related U.S. Application Data

(63) Continuation of application No. 29/413,561, filed on Feb. 16, 2012, now Pat. No. Des. 668,917.

(51) **LOC (9) Cl.** **07-06**

(52) **U.S. Cl.** **D7/631**

(58) **Field of Classification Search** D7/631-634,
D7/600.1-600.4, 701-708; 211/49.1, 50,
211/52, 13.1, 70.6, 70.7, 70.1, 71.01, 74;
D6/458, 449, 474, 462-467, 566; D19/65,
D19/75, 78, 86, 90, 91

See application file for complete search history.

(56) **References Cited**

U.S. PATENT DOCUMENTS

D159,005 S * 6/1950 Sanger D7/634
D190,511 S * 6/1961 Tuttle D7/600

3,442,393 A * 5/1969 Koppelman 211/13.1
6,189,711 B1 * 2/2001 Chang 211/163
6,796,441 B2 * 9/2004 Tremblay 211/74
D588,877 S * 3/2009 DiNovo D7/631

* cited by examiner

Primary Examiner — Terry Wallace

(74) *Attorney, Agent, or Firm* — Lewis Kohn & Fitzwilliam
LLP; Kent M. Walker

(57) **CLAIM**

The ornamental design for a napkin holder, as shown and described.

DESCRIPTION

FIG. 1 is a perspective view of the napkin holder showing my new design.

FIG. 2 is a top plan view thereof.

FIG. 3 is a bottom plan view thereof.

FIG. 4 is a front view thereof.

FIG. 5 is a rear view thereof.

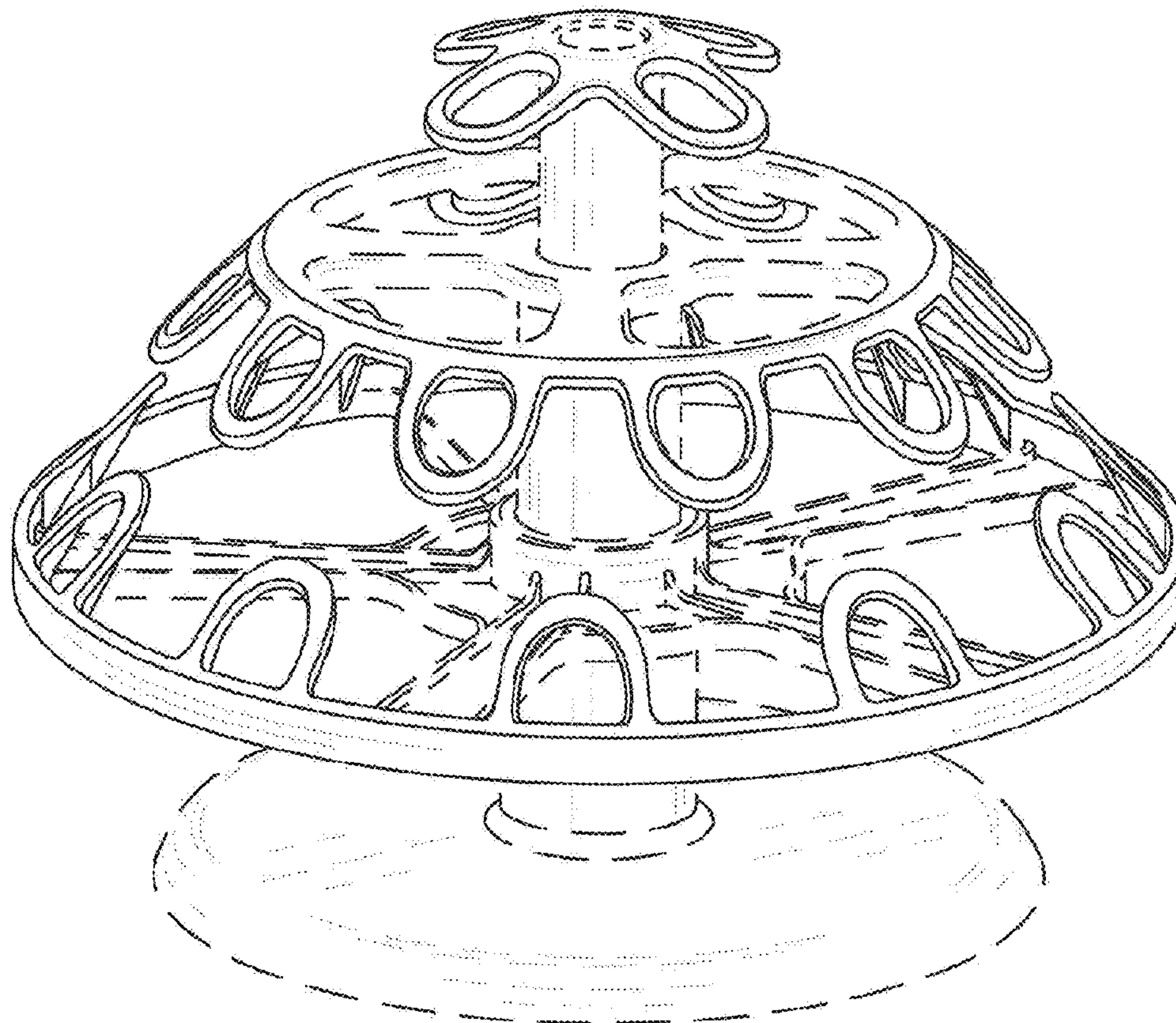
FIG. 6 is a left side view thereof.

FIG. 7 is a right side view thereof; and,

FIG. 8 is a front view thereof in an alternate configuration.

The broken lines are for illustrative purposes only and form no part of the claimed design.

1 Claim, 5 Drawing Sheets



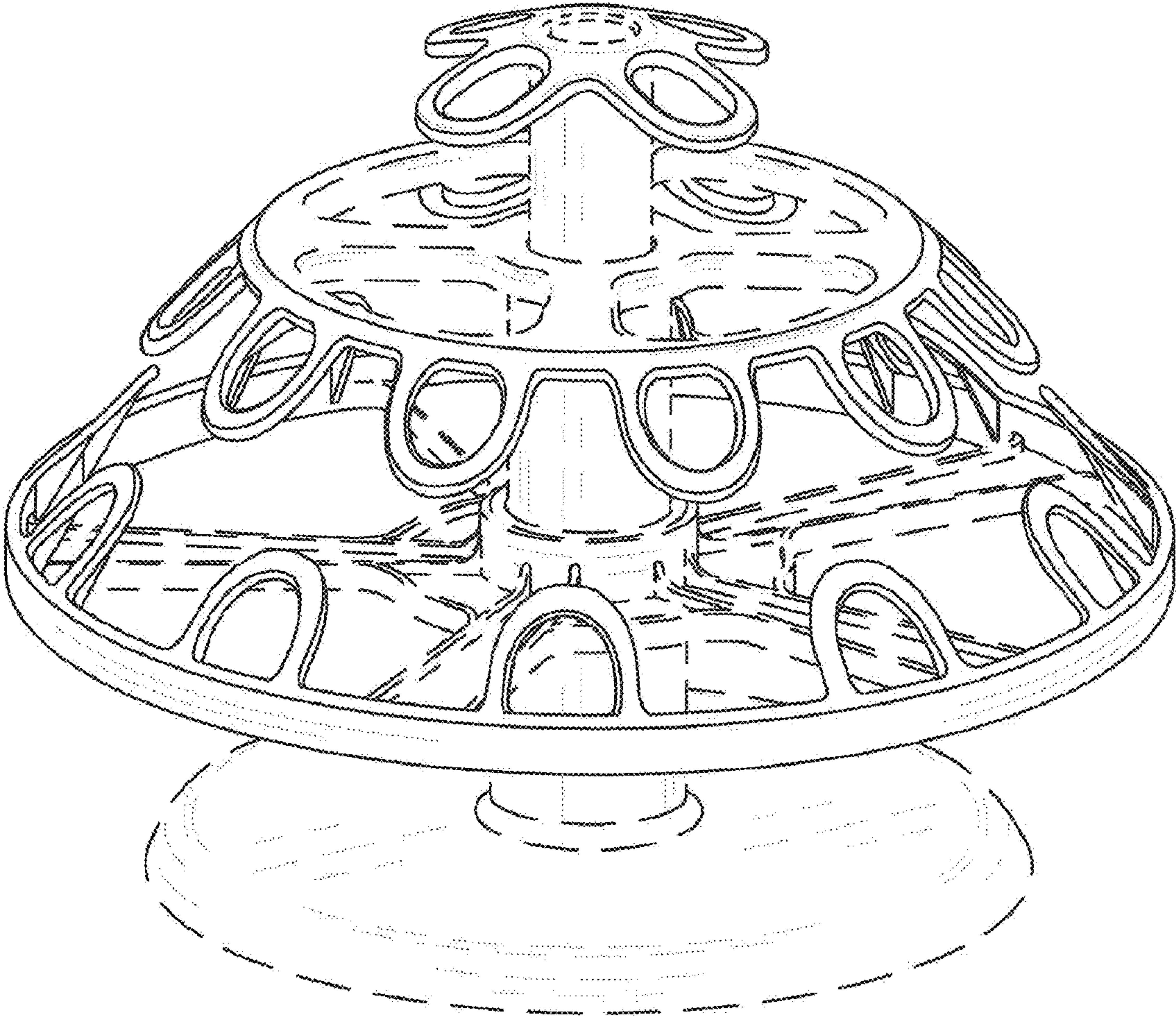


Fig. 1

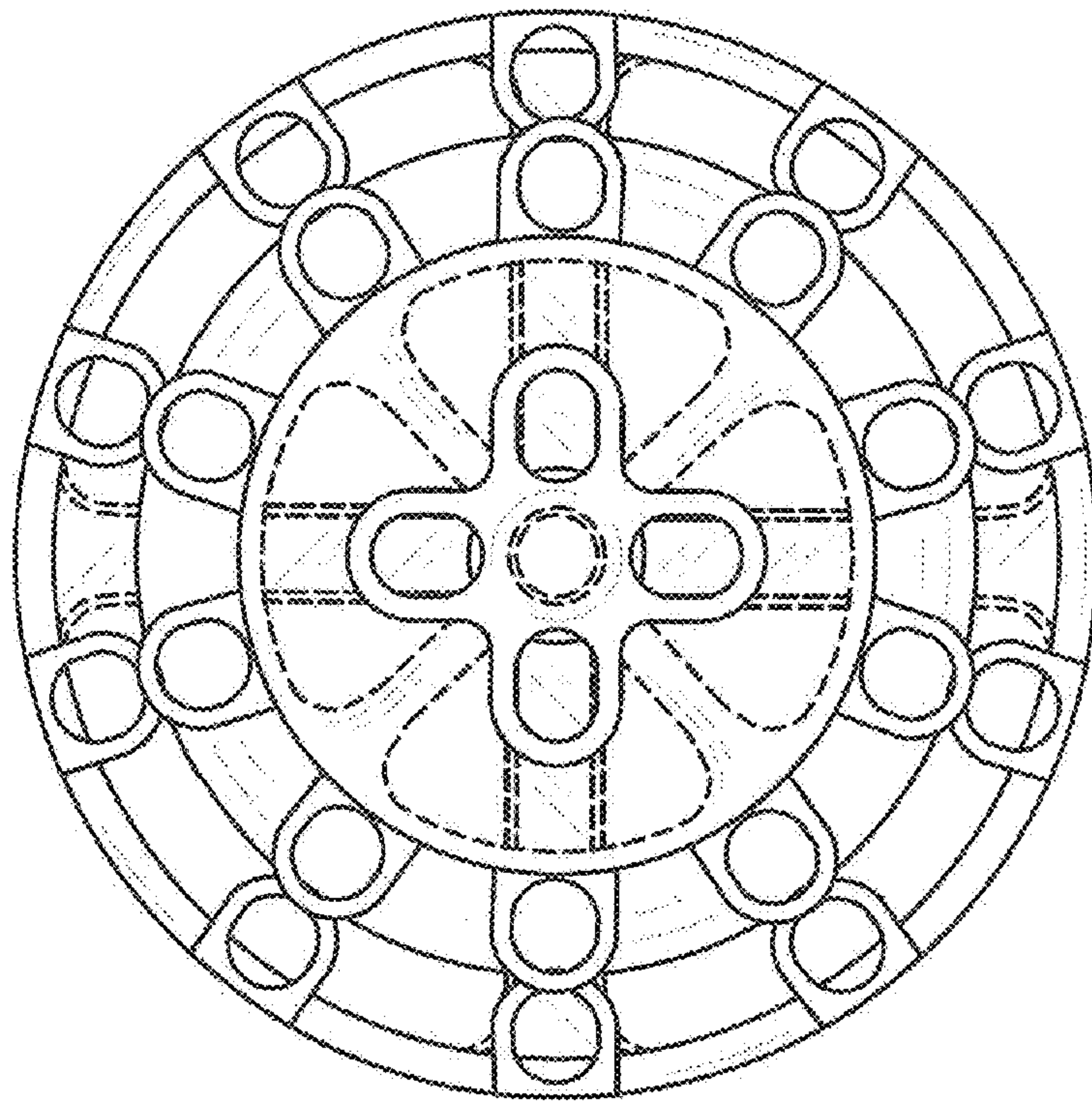


Fig. 2

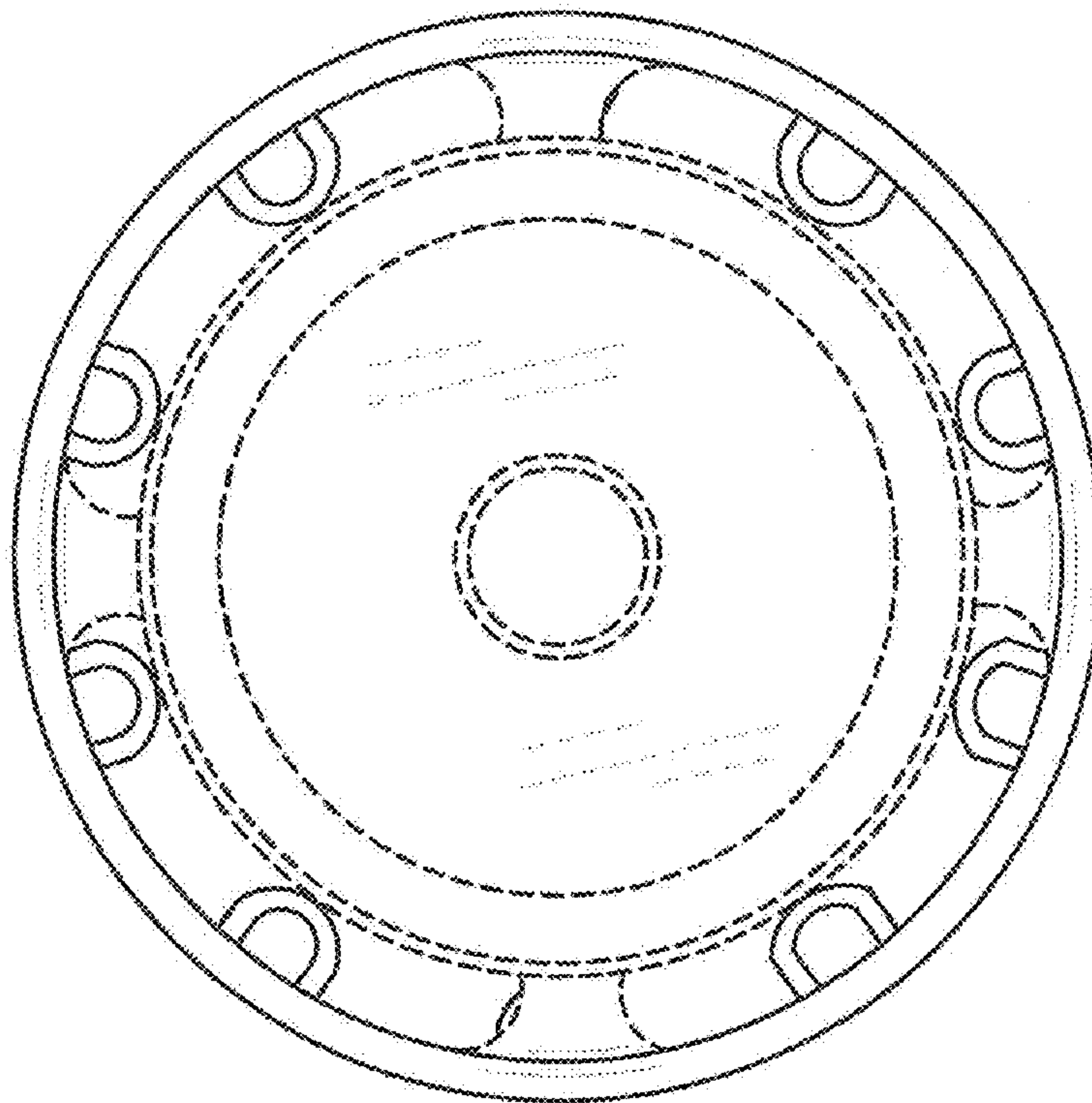


Fig. 3

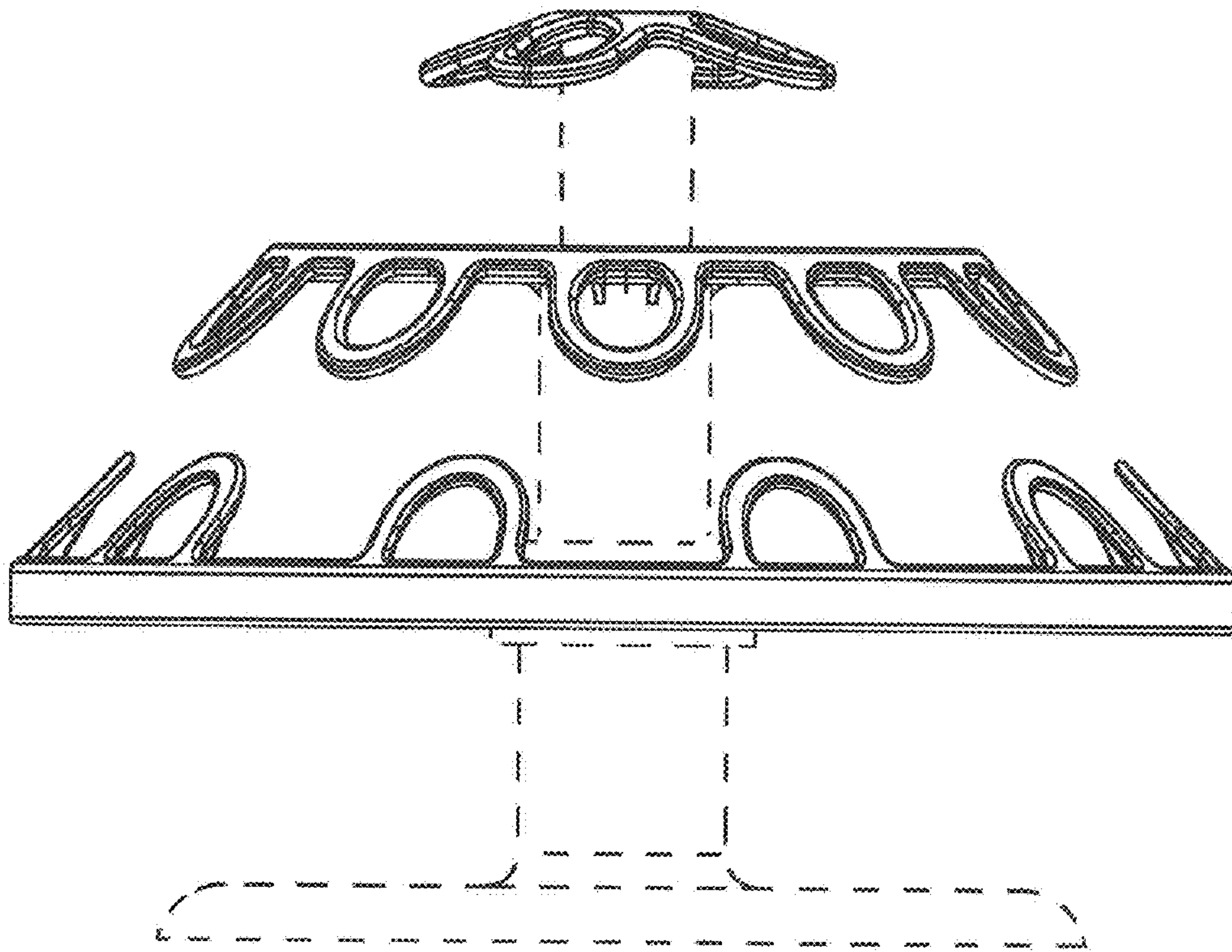


Fig. 4

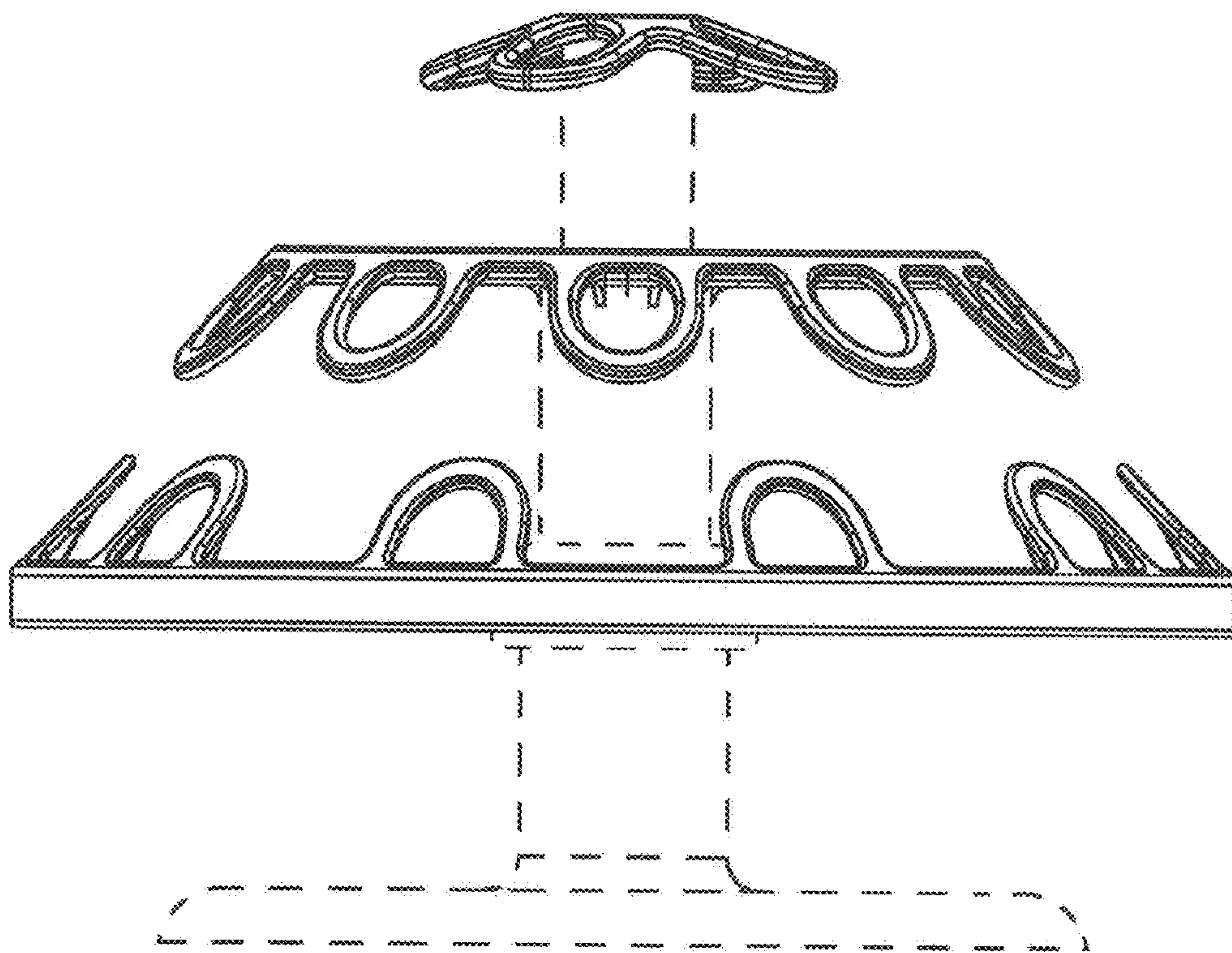


Fig. 5

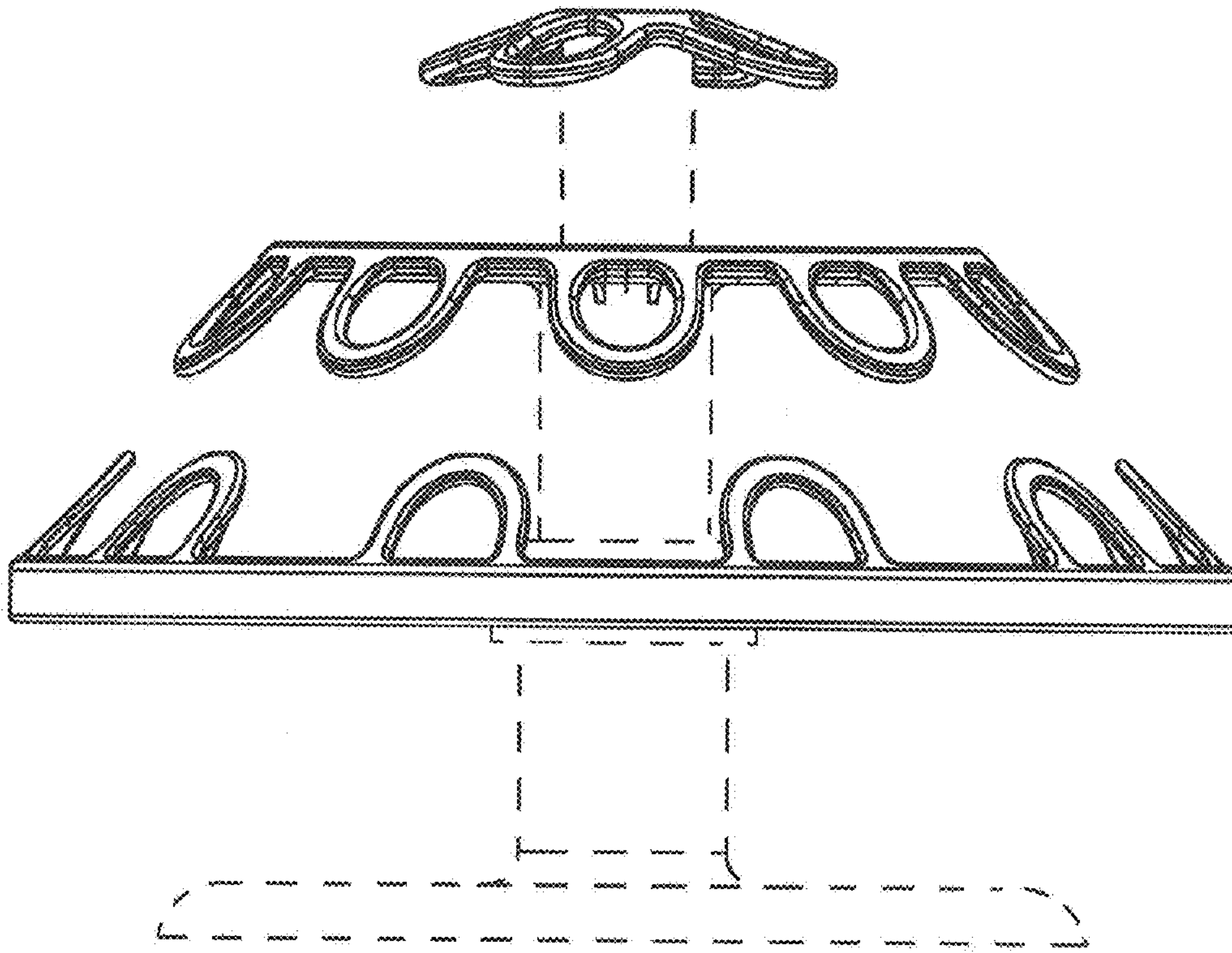


Fig. 6

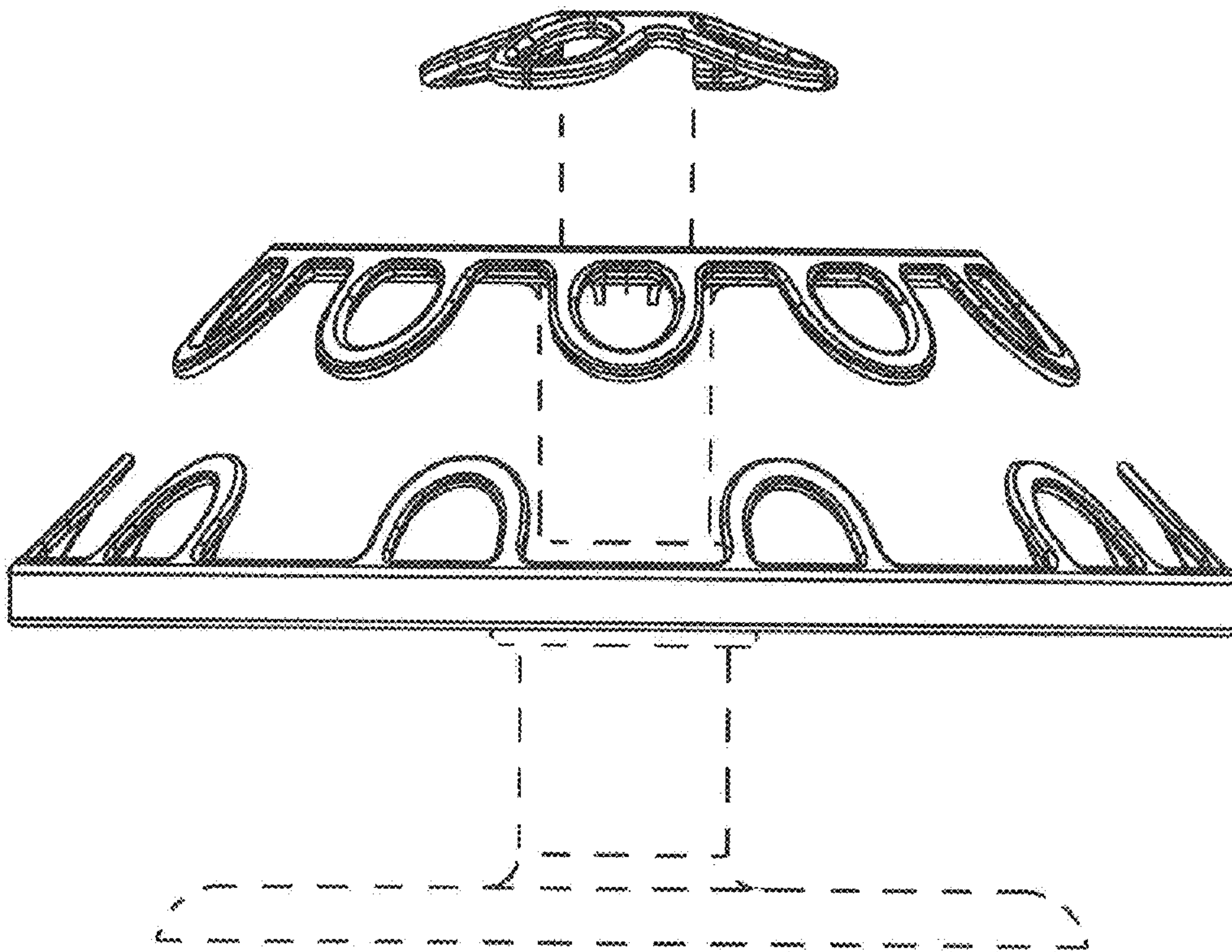


Fig. 7

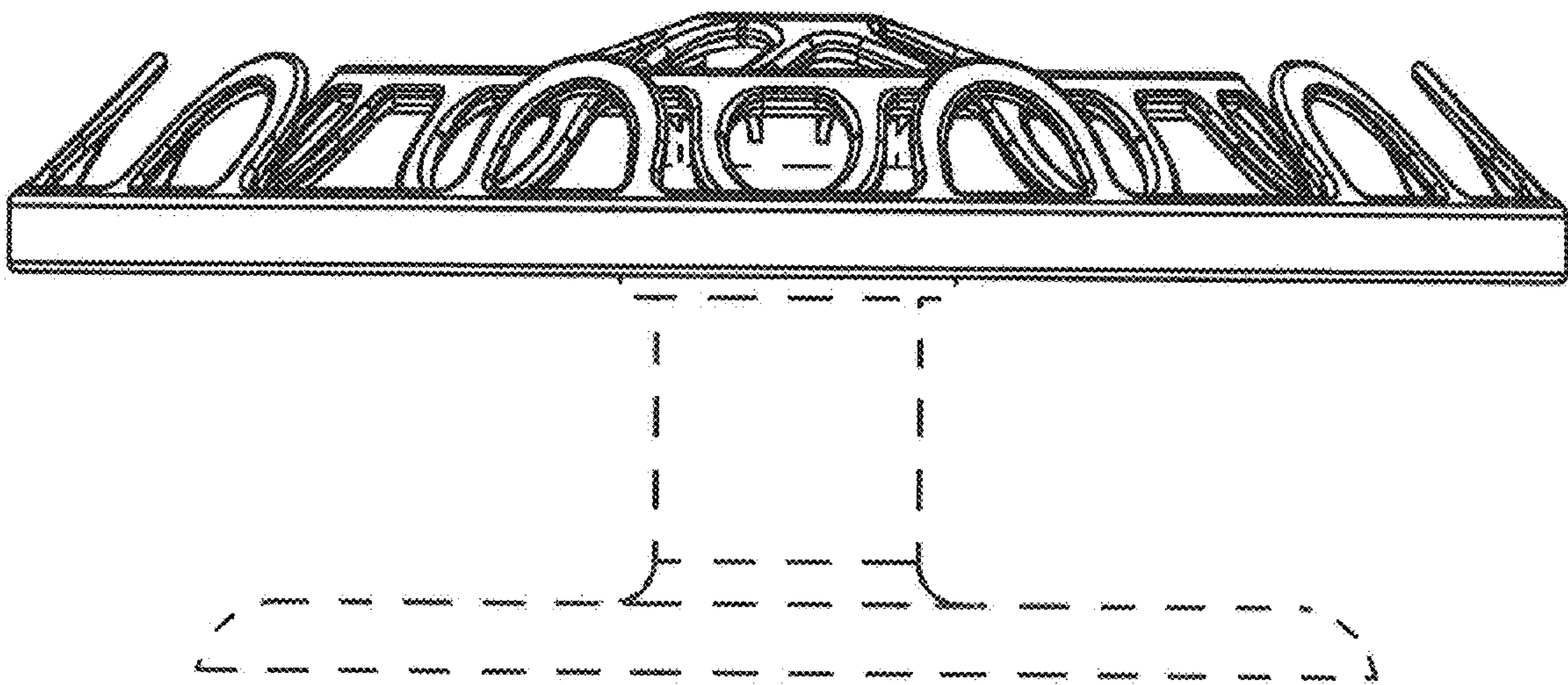


Fig. 8