



US00D677529S

(12) **United States Design Patent**
Kirschenbaum

(10) **Patent No.:** **US D677,529 S**
(45) **Date of Patent:** **** Mar. 12, 2013**

(54) **BEVERAGE CUP**

(76) Inventor: **Richard Barry Kirschenbaum,**
Chicago, IL (US)

(**) Term: **14 Years**

(21) Appl. No.: **29/374,929**

(22) Filed: **Oct. 26, 2011**

(51) **LOC (9) Cl.** **07-01**

(52) **U.S. Cl.** **D7/536; D7/515**

(58) **Field of Classification Search** D7/536,
D7/533, 514, 515, 622, 509; 220/713, 715,
220/737

See application file for complete search history.

(56) **References Cited**

U.S. PATENT DOCUMENTS

D227,133 S *	6/1973	Gulotta	D7/536
D292,464 S *	10/1987	Petrsek	D7/536
4,864,921 A *	9/1989	Ross	99/279
D345,675 S *	4/1994	Charland	D7/536

D347,547 S *	6/1994	Heinrich	D7/533
D351,315 S *	10/1994	van Stolk	D7/536
6,378,763 B1 *	4/2002	Nelson et al.	229/162.5
D475,244 S *	6/2003	Trombly	D7/536
D597,375 S *	8/2009	Wroblewski	D7/505
D611,301 S *	3/2010	Amano	D7/509

* cited by examiner

Primary Examiner — Marianne Pandozzi

(57) **CLAIM**

The ornamental design for a beverage cup, as shown and described.

DESCRIPTION

FIG. 1 is a top/plan view of a beverage cup showing my design.

FIG. 2 is a front perspective view thereof

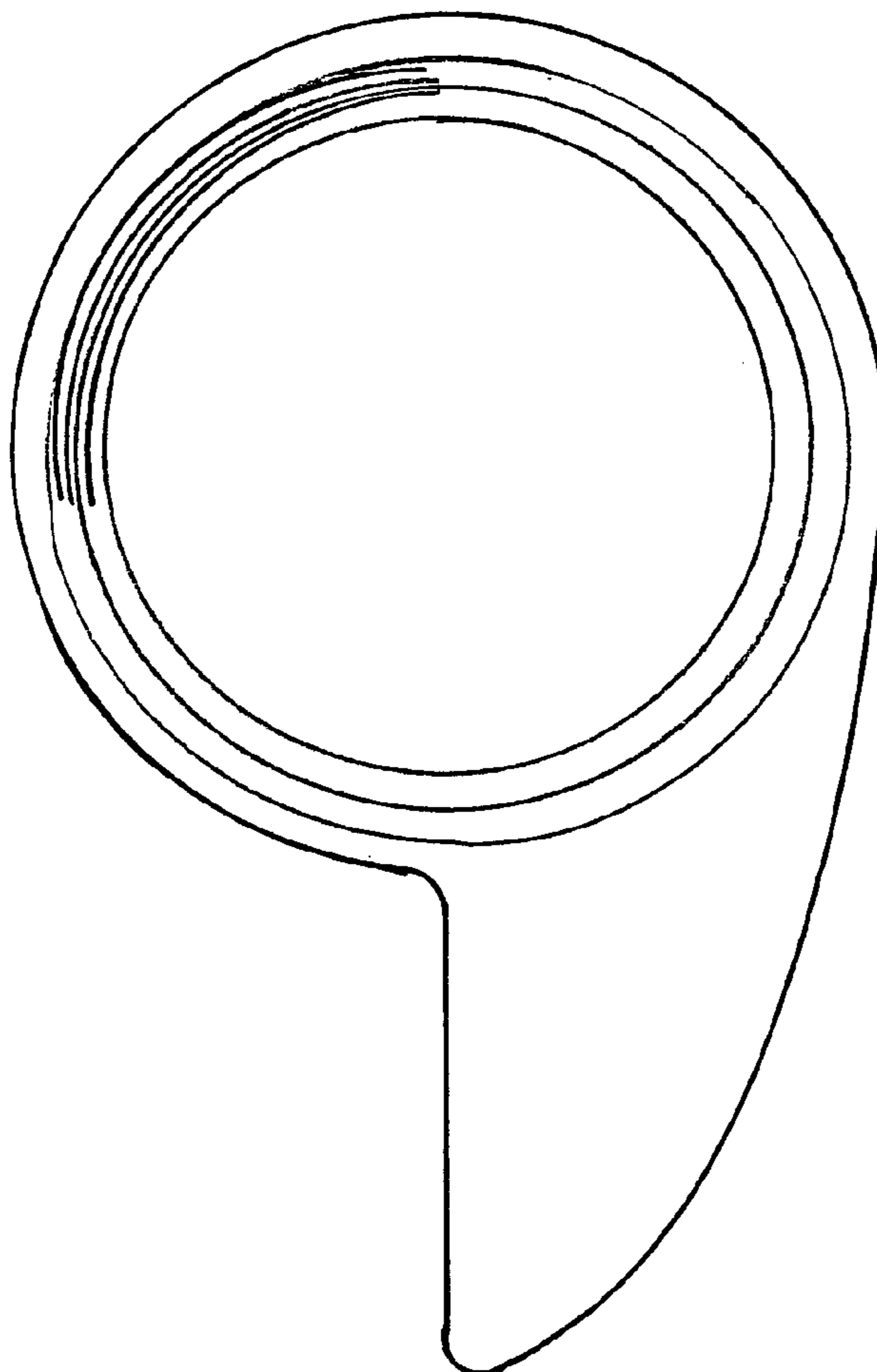
FIG. 3 is a rear perspective view thereof

FIG. 4 is a front elevation view thereof

FIG. 5 is a rear elevation view thereof; and,

FIG. 6 is a right side elevation view thereof.

1 Claim, 6 Drawing Sheets



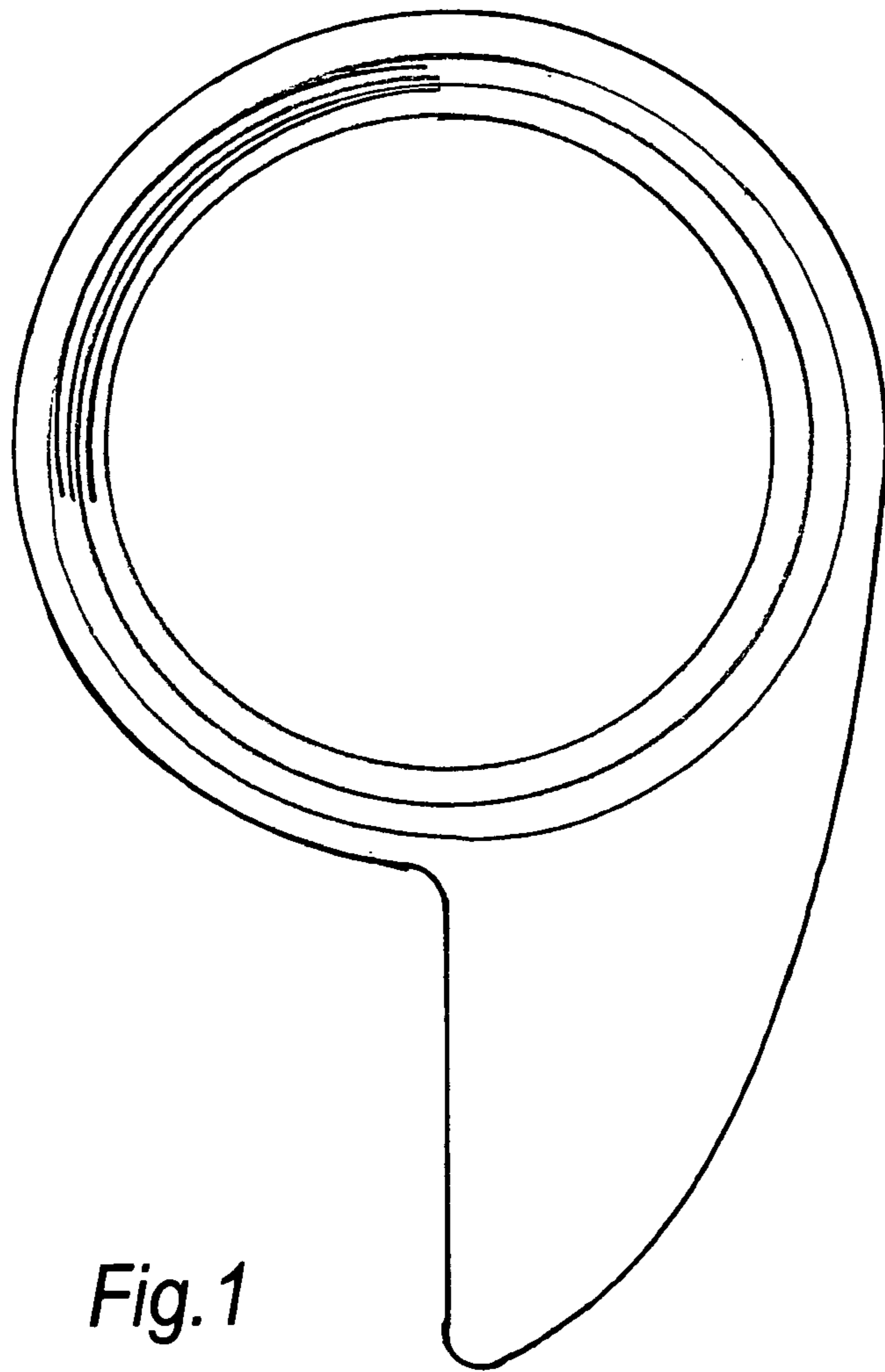


Fig. 1

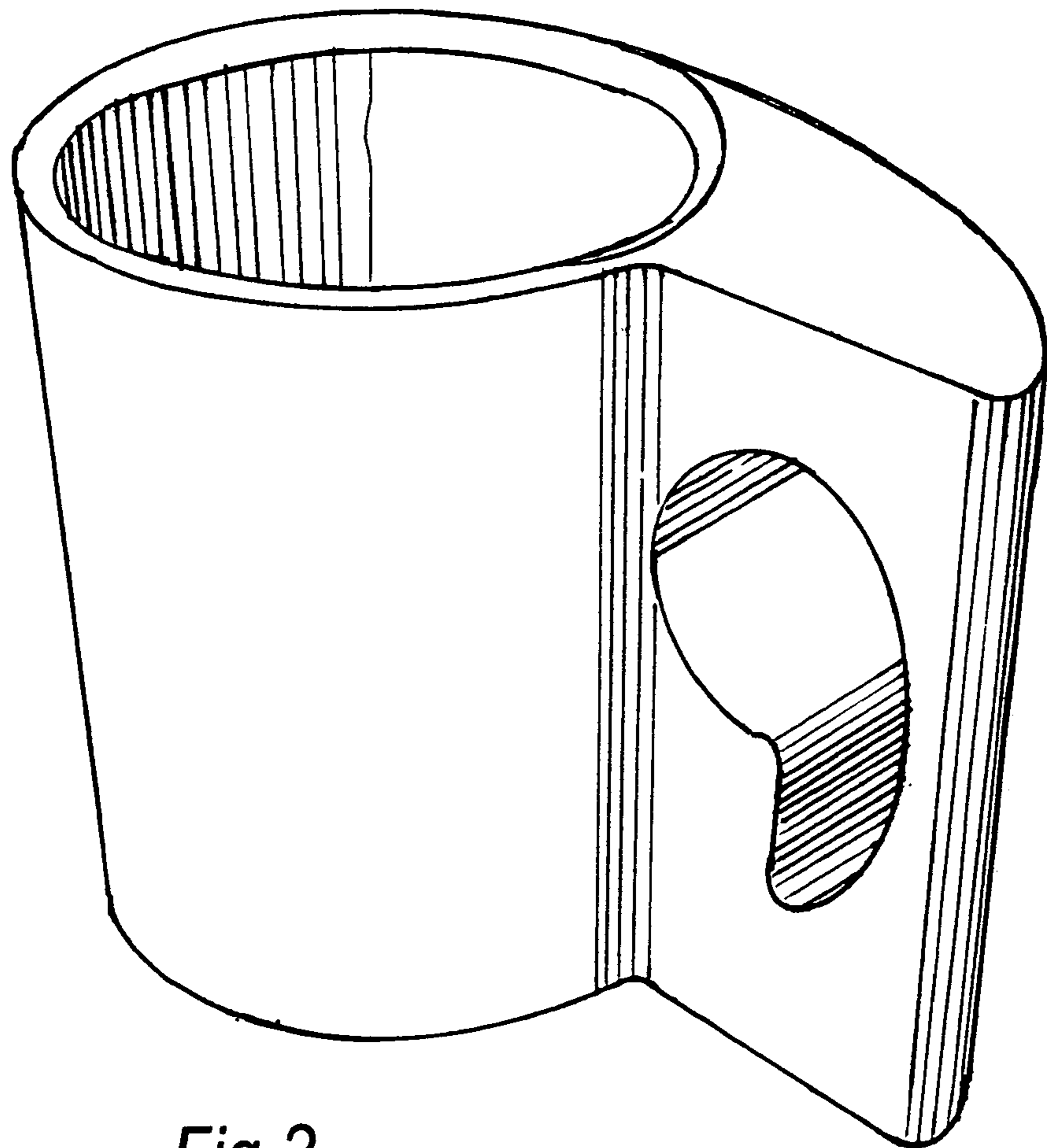


Fig. 2

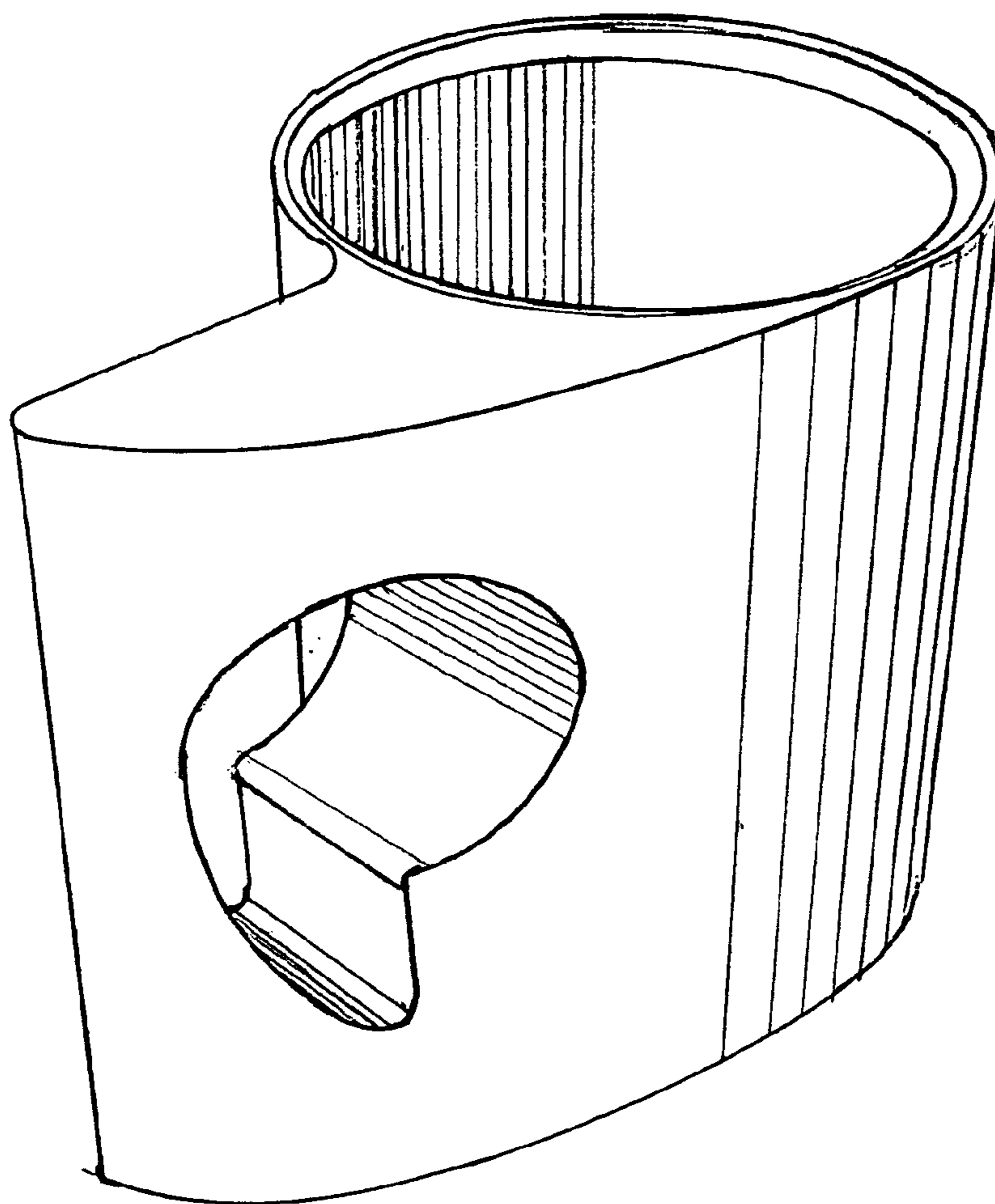


FIG.3

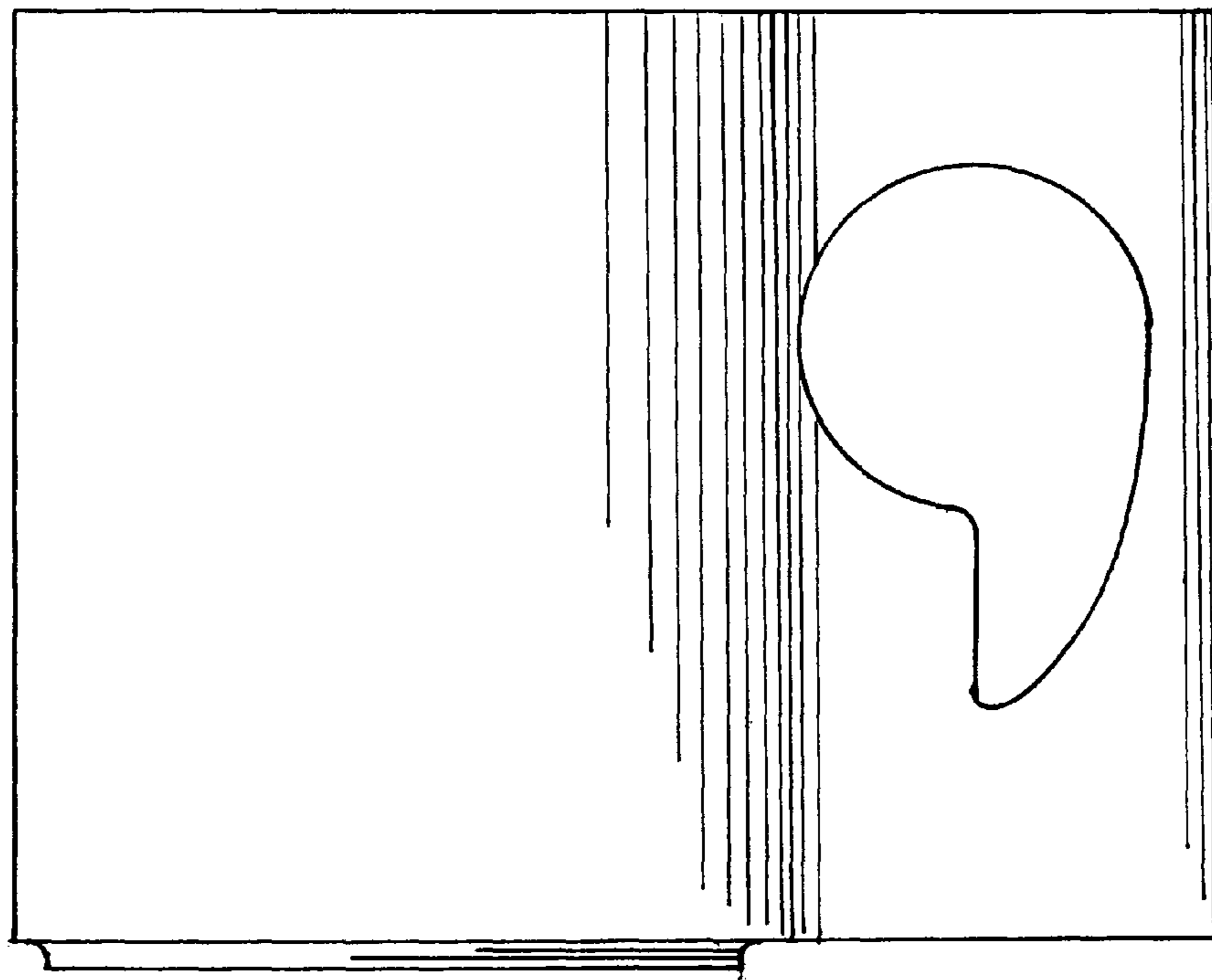


FIG.4

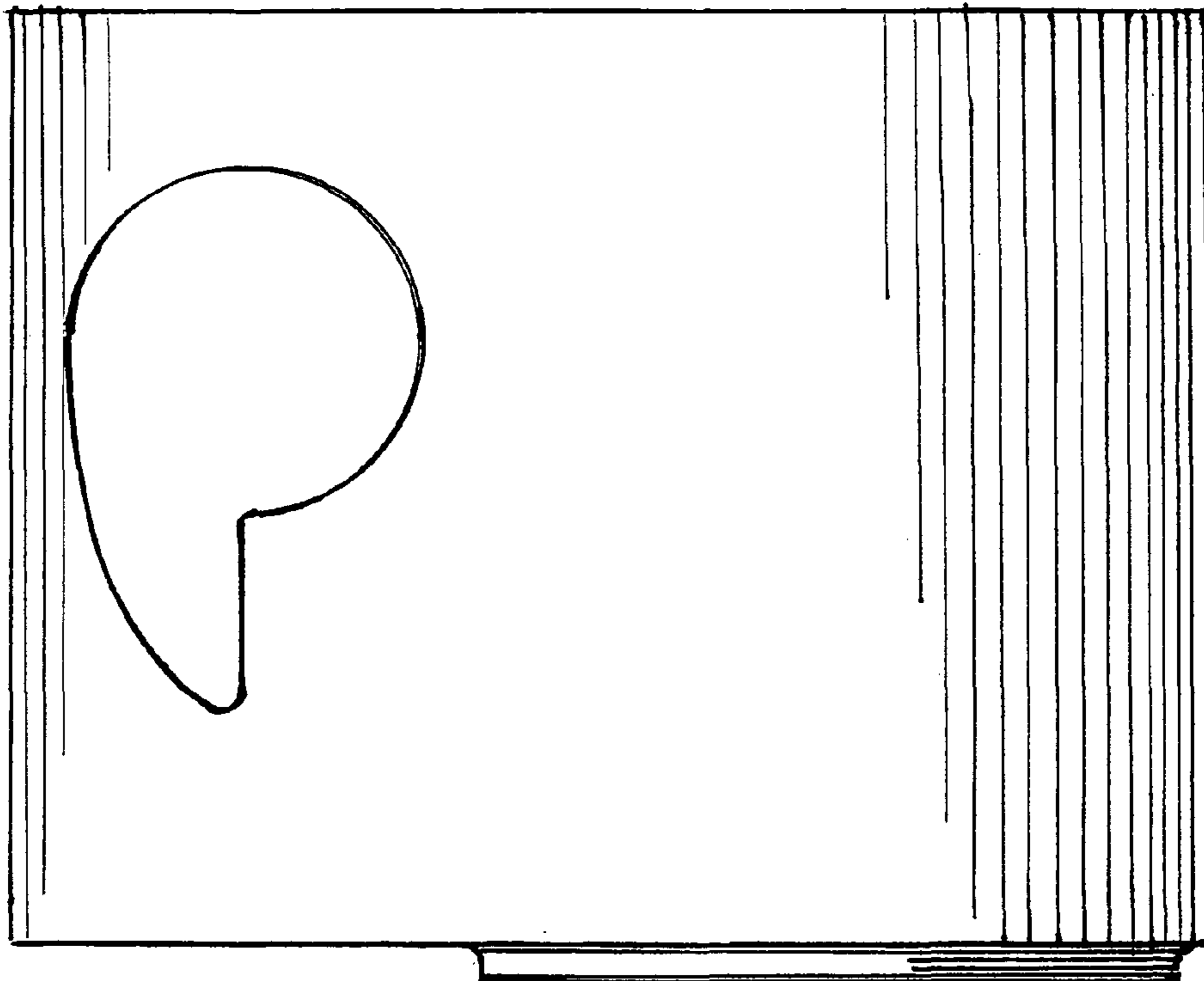


FIG.5

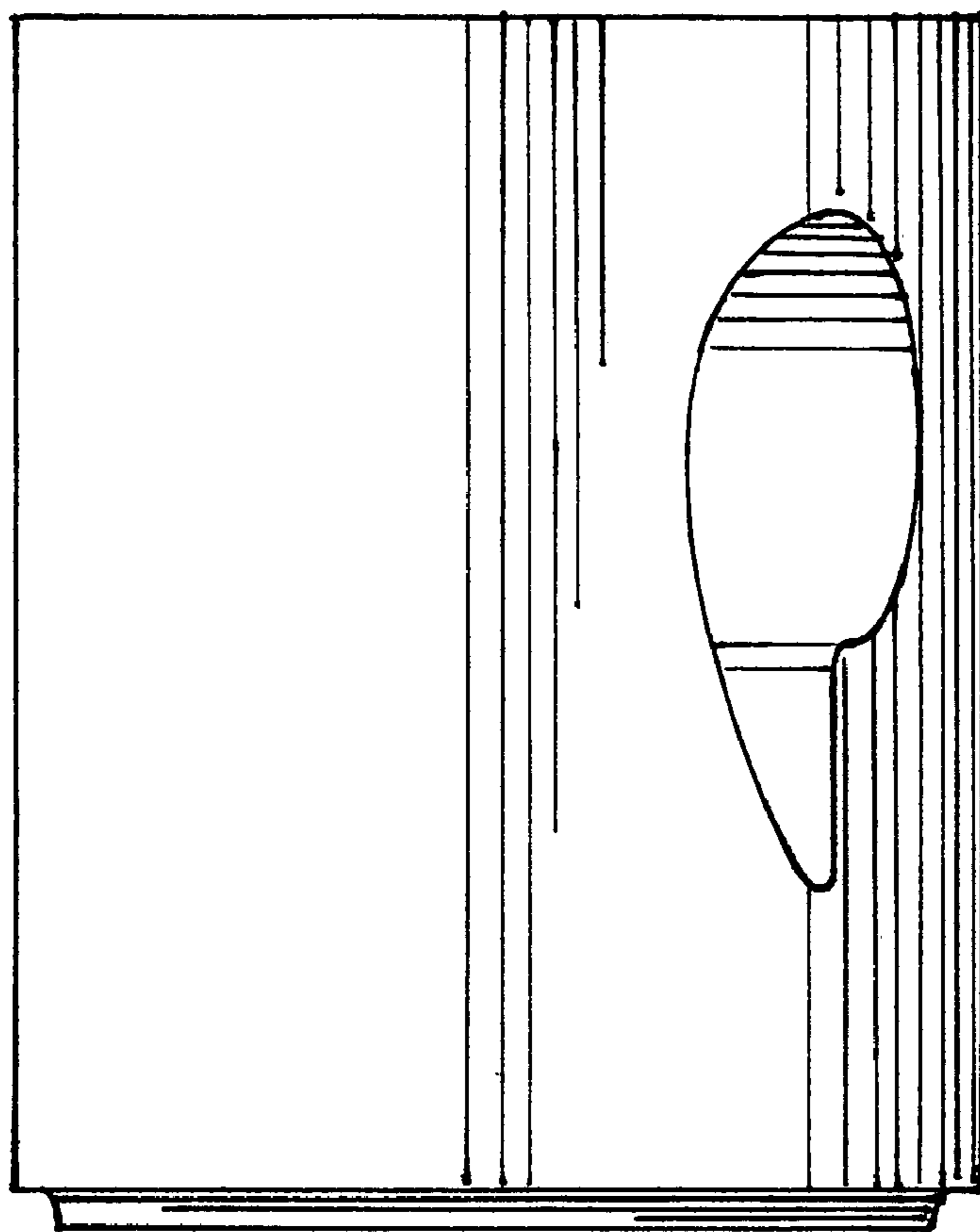


FIG. 6