



US00D677528S

(12) **United States Design Patent**
Kwon

(10) **Patent No.:** **US D677,528 S**
(45) **Date of Patent:** **** Mar. 12, 2013**

(54) **BREAD BAKING MOLD**

(75) Inventor: **Kitaek Kwon**, Garden Grove, CA (US)

(73) Assignee: **Cocohodo USA, Inc.**, Fullerton, CA (US)

(**) Term: **14 Years**

(21) Appl. No.: **29/428,637**

(22) Filed: **Aug. 1, 2012**

(51) **LOC (9) Cl.** **07-02**

(52) **U.S. Cl.** **D7/409; D7/352; D7/357; D7/362**

(58) **Field of Classification Search** D7/323, D7/329-331, 337, 339, 346-347, 350.1-350.4, D7/352-367, 391, 393, 395, 402, 409, 538, D7/542, 674; 99/324-325, 331-332, 337-349, 99/358, 369-376, 380, 389, 400-418, 422, 99/425, 444-446, 483; 126/37 R, 261, 378.1; 206/501-505, 507-508; 219/386, 400, 405, 219/429-442, 450.1, 452.13, 620-624, 725, 219/730-735; 220/23.8, 315, 573.1-573.5, 220/912; 249/119; 426/438, 441, 549
See application file for complete search history.

3,948,159 A * 4/1976 Vigerstrom 99/358
D262,425 S * 12/1981 Thelander D7/357
D262,430 S * 12/1981 Thelander D7/357
D275,925 S * 10/1984 Bowen et al. D7/357
5,253,565 A * 10/1993 Burton 99/374
5,596,922 A * 1/1997 Chan 99/380
5,613,426 A * 3/1997 Chan Gabbai 99/375
D549,515 S * 8/2007 Curtin et al. D7/352
D604,998 S * 12/2009 Ablo D7/674
D642,420 S * 8/2011 Lavy et al. D7/352
D643,243 S * 8/2011 Harrod D7/352
D643,673 S * 8/2011 Lavy et al. D7/352
D643,676 S * 8/2011 Lavy et al. D7/364
D643,677 S * 8/2011 Lavy et al. D7/364
D657,608 S * 4/2012 Lavy et al. D7/352
D657,609 S * 4/2012 Lavy et al. D7/352
D663,590 S * 7/2012 Muspratt-Williams D7/674
D668,907 S * 10/2012 Lavy et al. D7/352
D669,299 S * 10/2012 Lavy et al. D7/352
D669,300 S * 10/2012 Lavy et al. D7/352

* cited by examiner

Primary Examiner — Ricky Pham

(74) *Attorney, Agent, or Firm* — IPLA P.A.; James E. Bame

(57) **CLAIM**

The ornamental design for a bread baking mold, as shown and described.

(56) **References Cited**

U.S. PATENT DOCUMENTS

323,887 A * 8/1885 Rutter 249/119
608,144 A * 7/1898 Porter 220/23.8
1,587,788 A * 6/1926 Morley 99/376
1,663,719 A * 3/1928 Morley 426/549
3,696,734 A * 10/1972 Beasley et al. 99/331
3,719,507 A * 3/1973 Bardeau 99/375

DESCRIPTION

FIG. 1 is a perspective view of my new design; and, FIG. 2 is a top plan view thereof. The broken line showing illustrates environment only and forms no part of the claimed design.

1 Claim, 2 Drawing Sheets

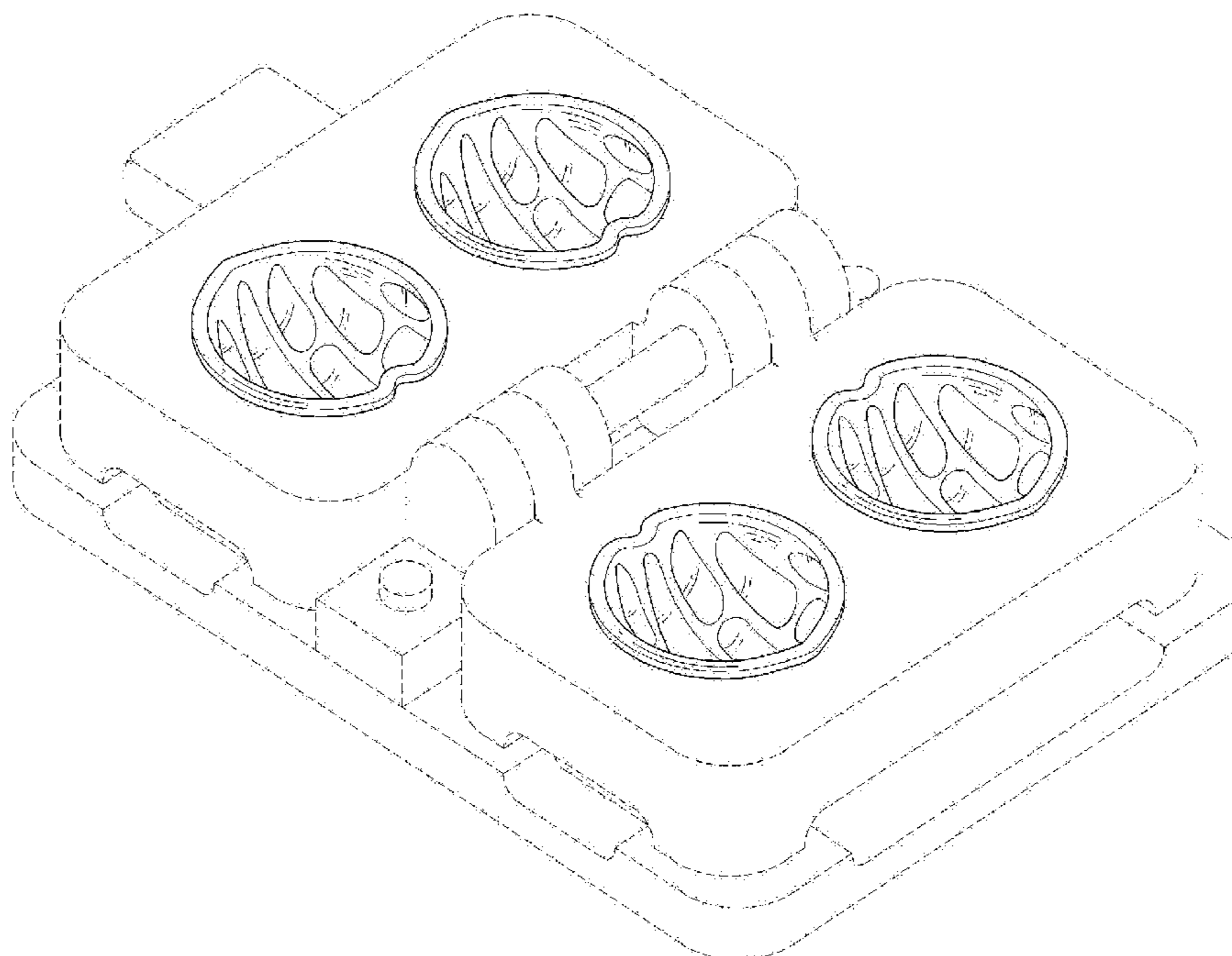


FIG. 1

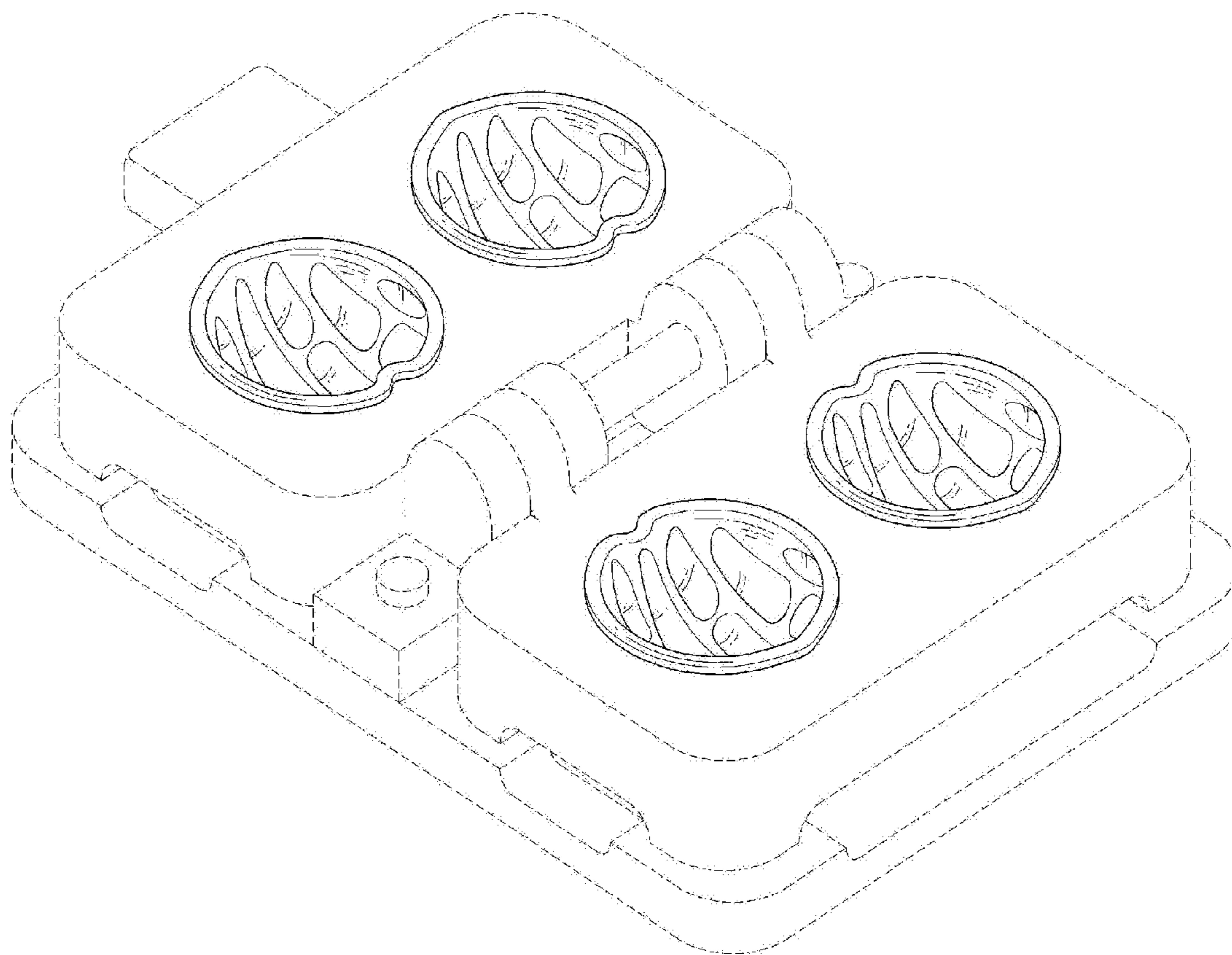


FIG. 2

