



US00D677527S

(12) **United States Design Patent**
Brega

(10) **Patent No.:** **US D677,527 S**

(45) **Date of Patent:** **** Mar. 12, 2013**

(54) **DEEP FRYER**

(75) Inventor: **Tristan Brega**, Kyabram (AU)

(73) Assignee: **Breville Pty Limited**, Botany, New South Wales (AU)

(**) Term: **14 Years**

(21) Appl. No.: **29/408,720**

(22) Filed: **Dec. 15, 2011**

(30) **Foreign Application Priority Data**

Jul. 8, 2011 (AU) 201113039

(51) **LOC (9) Cl.** **07-02**

(52) **U.S. Cl.** **D7/402**

(58) **Field of Classification Search** D7/323,
D7/330-331, 339, 347, 350-367, 378-379,
D7/383-384, 391, 402-408, 542-545; 99/324-325,
99/329 R, 330-339; 219/432-433, 438-441,
219/620-622, 725-730; 220/203.1, 203.7,
220/303, 316, 356.1, 573.1-574, 769; 426/438,
426/441

See application file for complete search history.

(56) **References Cited**

U.S. PATENT DOCUMENTS

D308,000	S	*	5/1990	Slany et al.	D7/354
D314,306	S	*	2/1991	Slany et al.	D7/360
D316,650	S	*	5/1991	Slany et al.	D7/360
D528,853	S	*	9/2006	Lloyd	D7/354
D542,095	S	*	5/2007	Orent et al.	D7/560
D588,860	S	*	3/2009	Tienor et al.	D7/354
D604,093	S	*	11/2009	Moussu	D7/360

* cited by examiner

Primary Examiner — T. Chase Nelson

Assistant Examiner — Mark Cavanna

(74) *Attorney, Agent, or Firm* — Molins & Co.

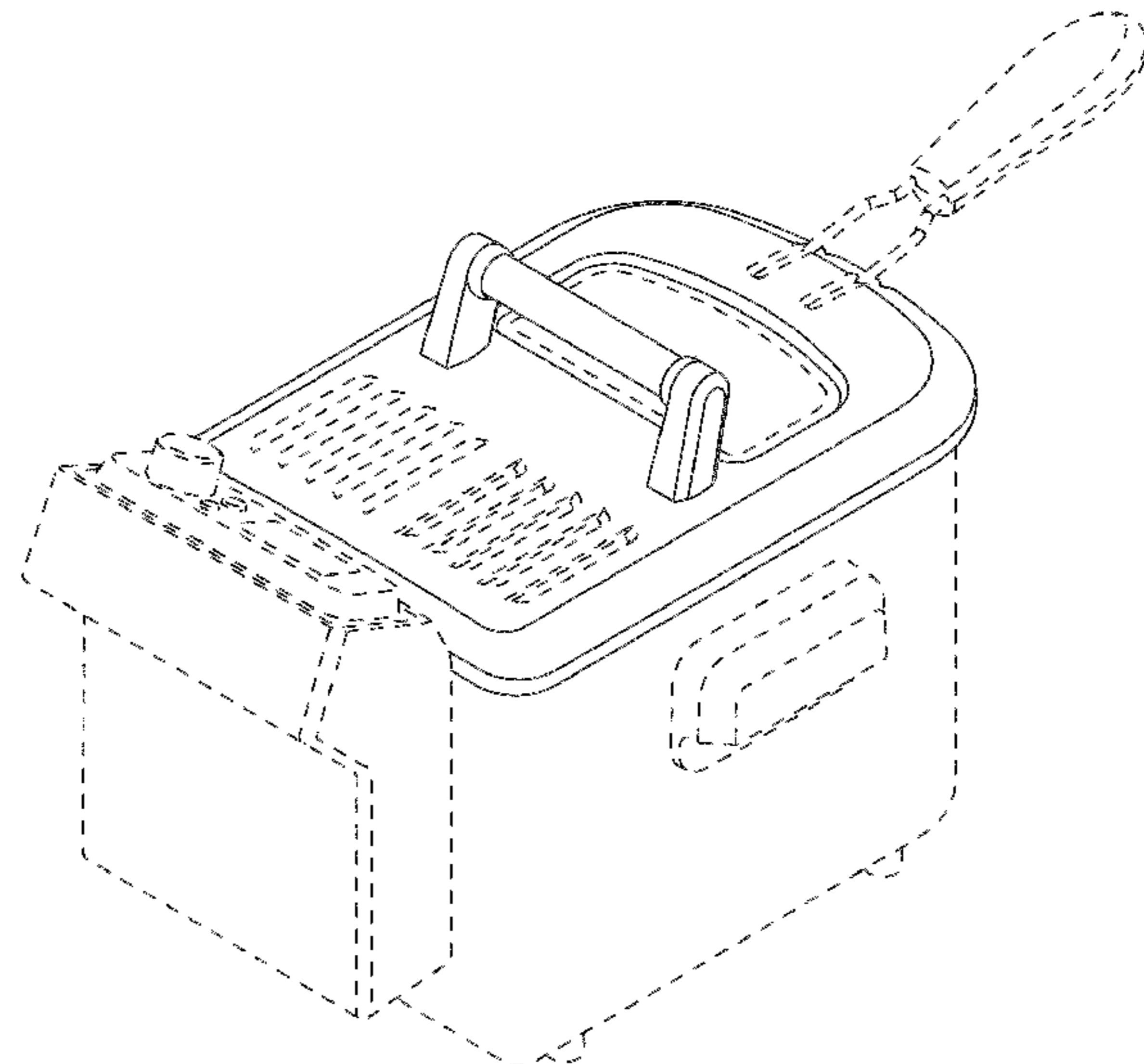
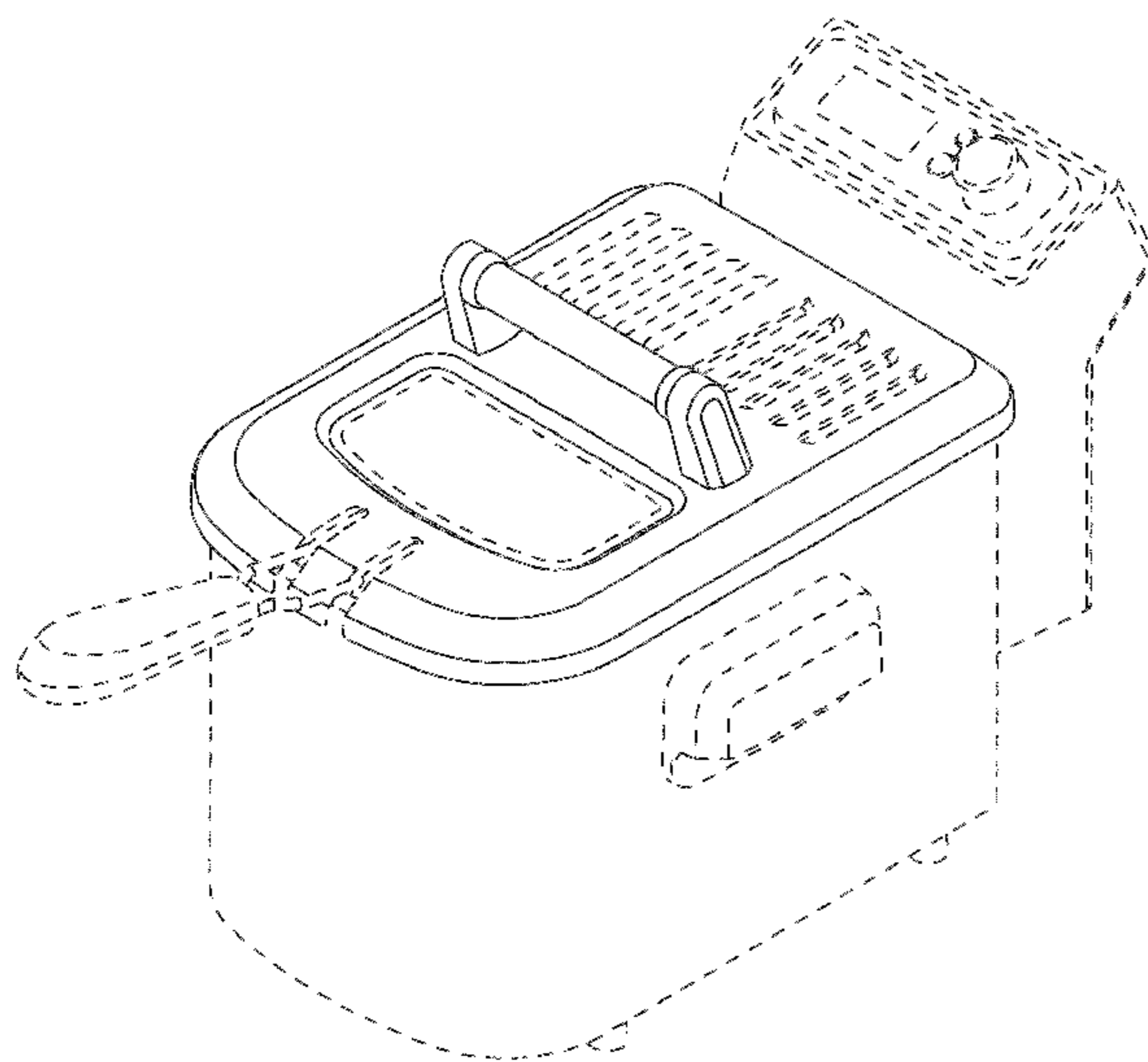
(57) **CLAIM**

The ornamental design for a deep fryer, as shown and described.

DESCRIPTION

FIG. 1 is a front view of a deep fryer showing my new design; FIG. 2 is a right view thereof; FIG. 3 is a back view thereof; FIG. 4 is a left view thereof; FIG. 5 is a top view thereof; FIG. 6 is a front perspective view thereof; and, FIG. 7 is a back perspective view thereof. The broken lines shown in the drawings are for illustrative purposes only and form no part of the claimed design.

1 Claim, 7 Drawing Sheets



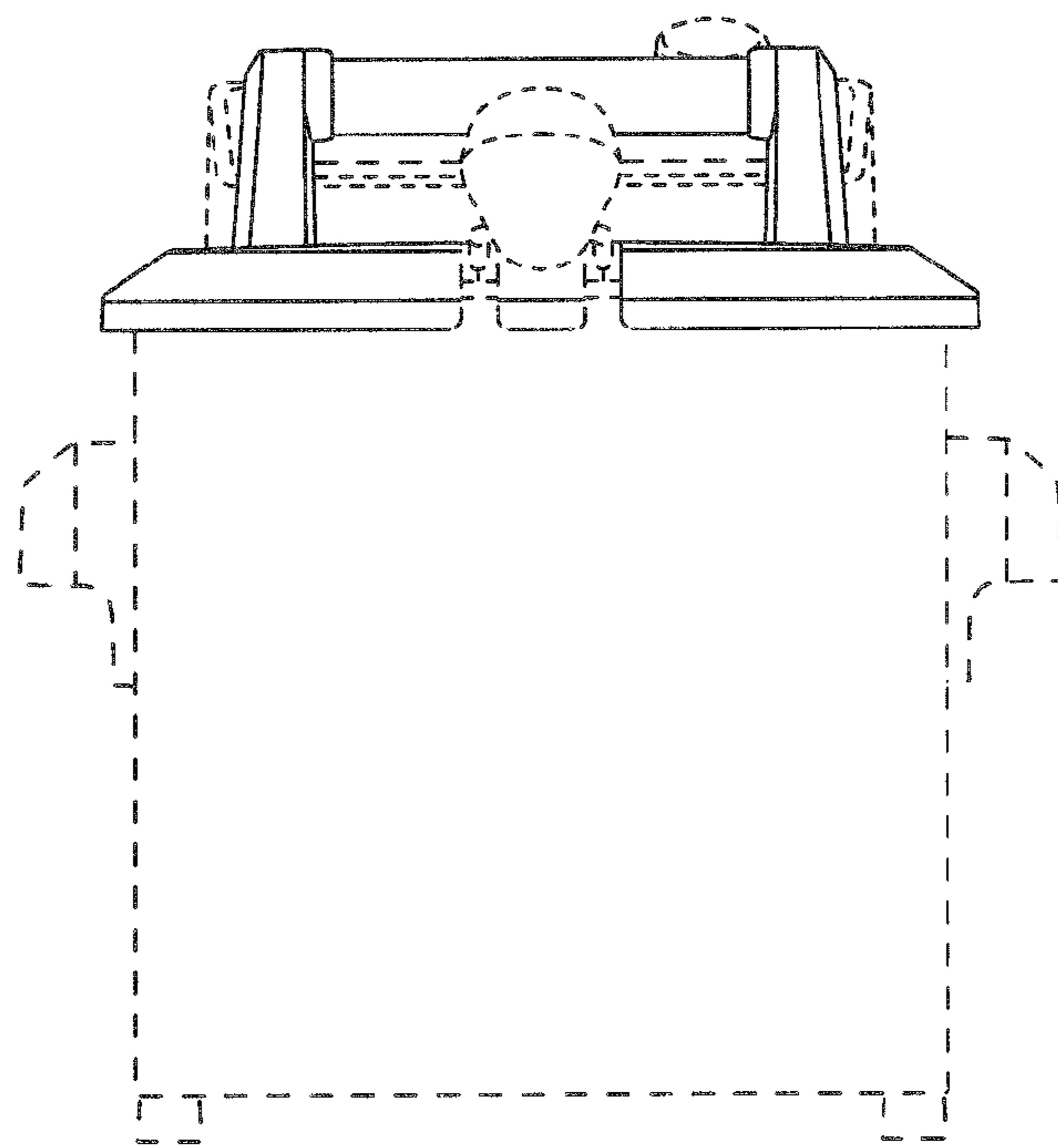


FIG. 1

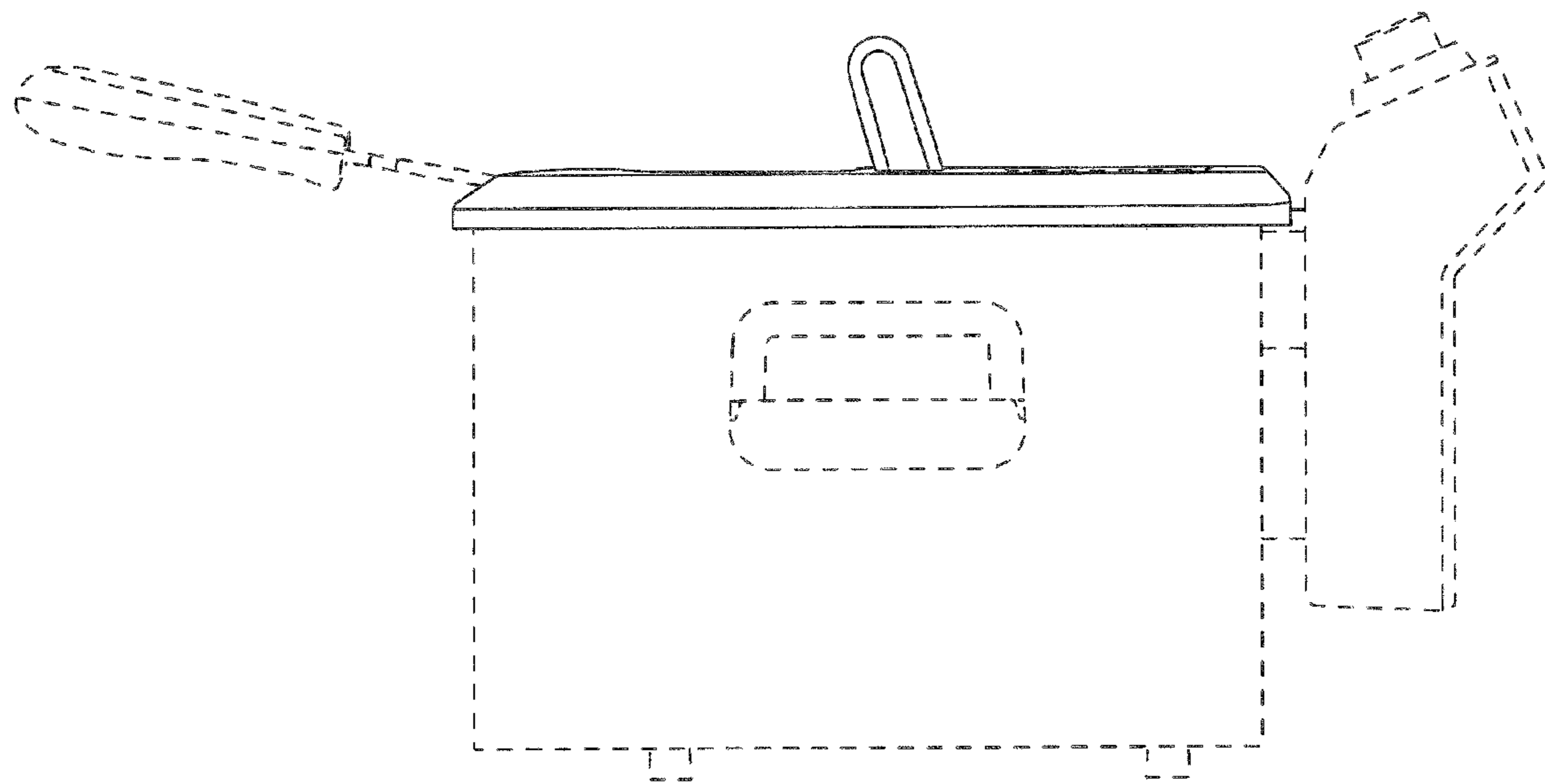


FIG. 2

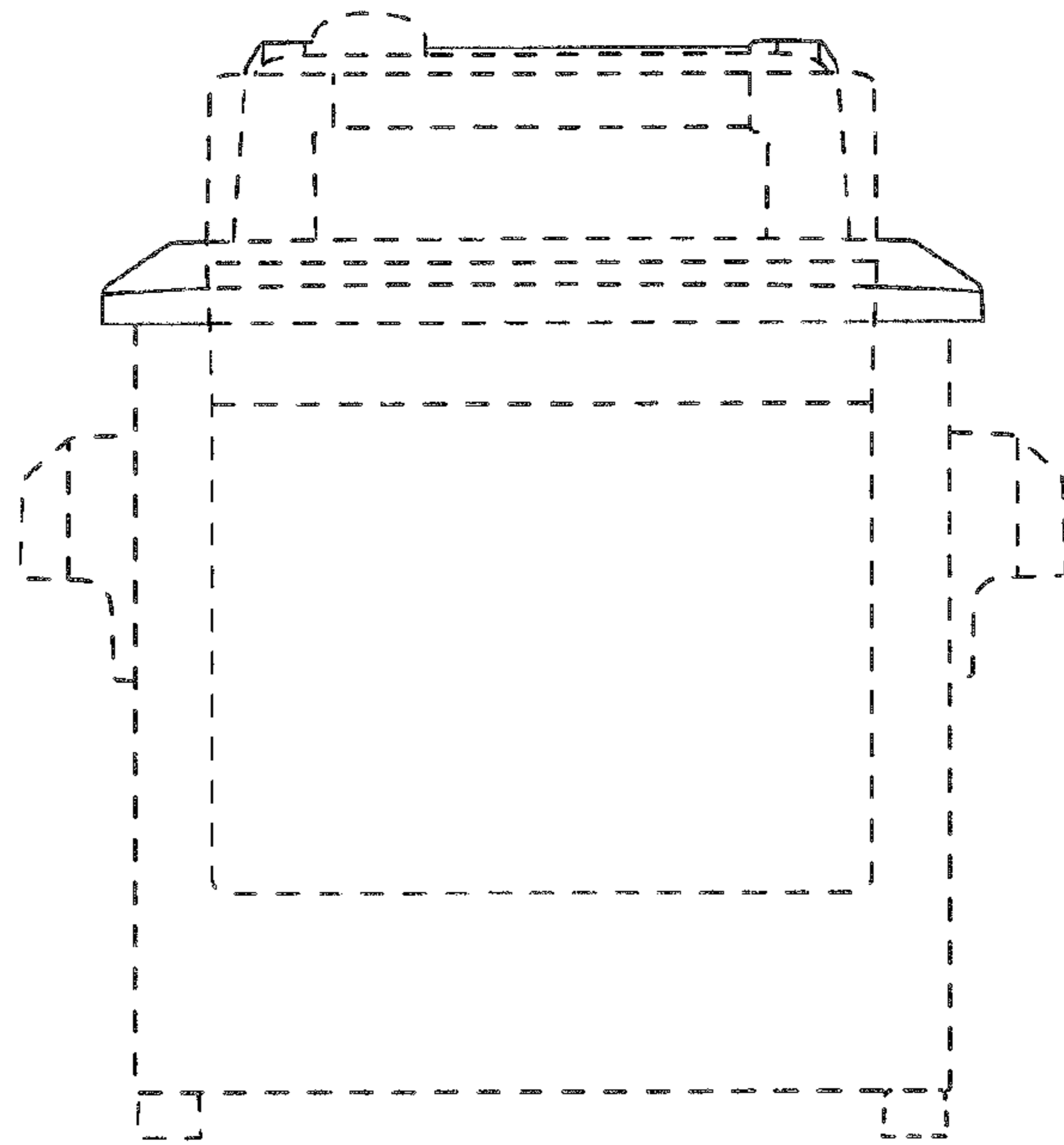


FIG. 3

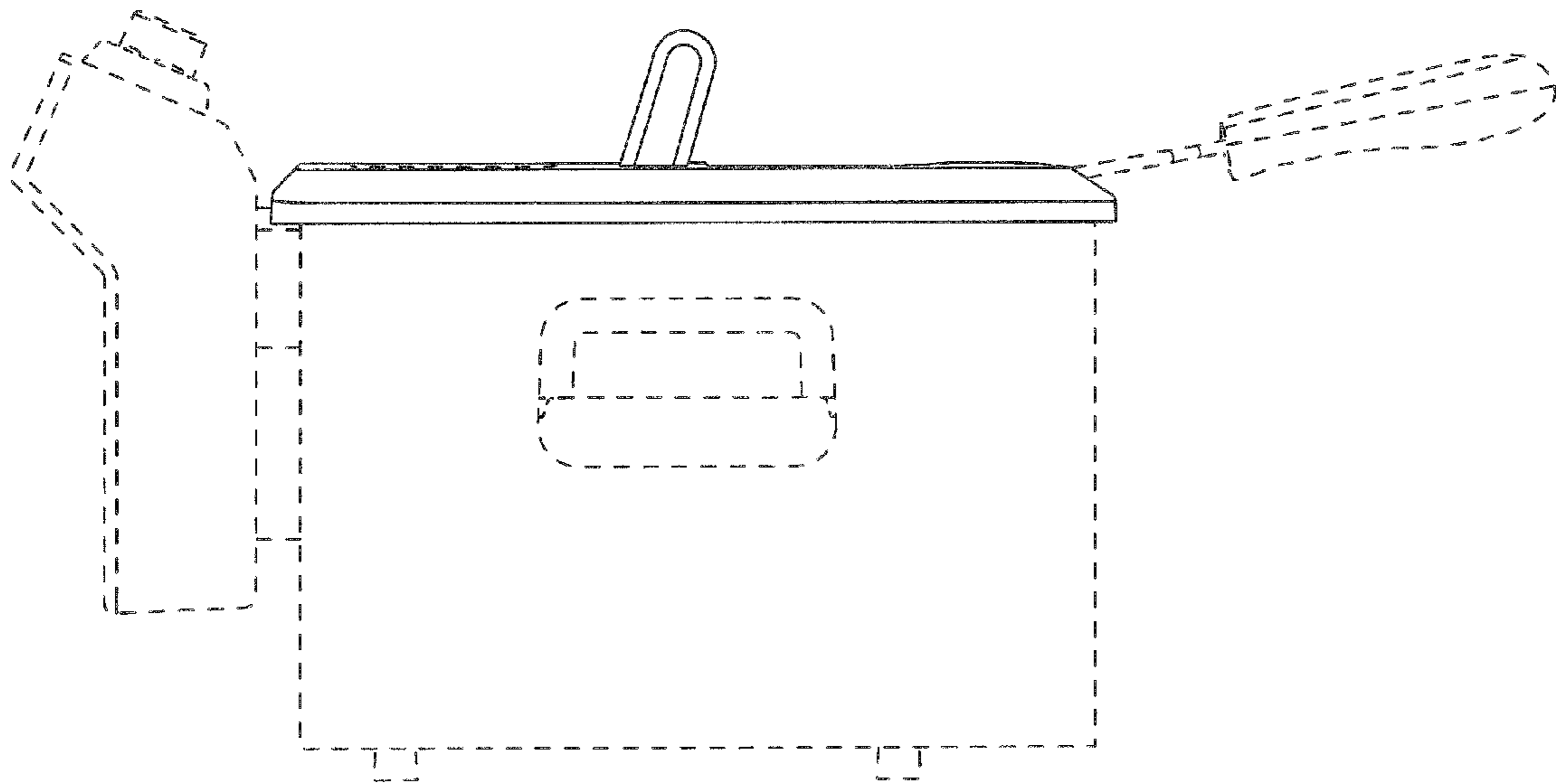


FIG. 4

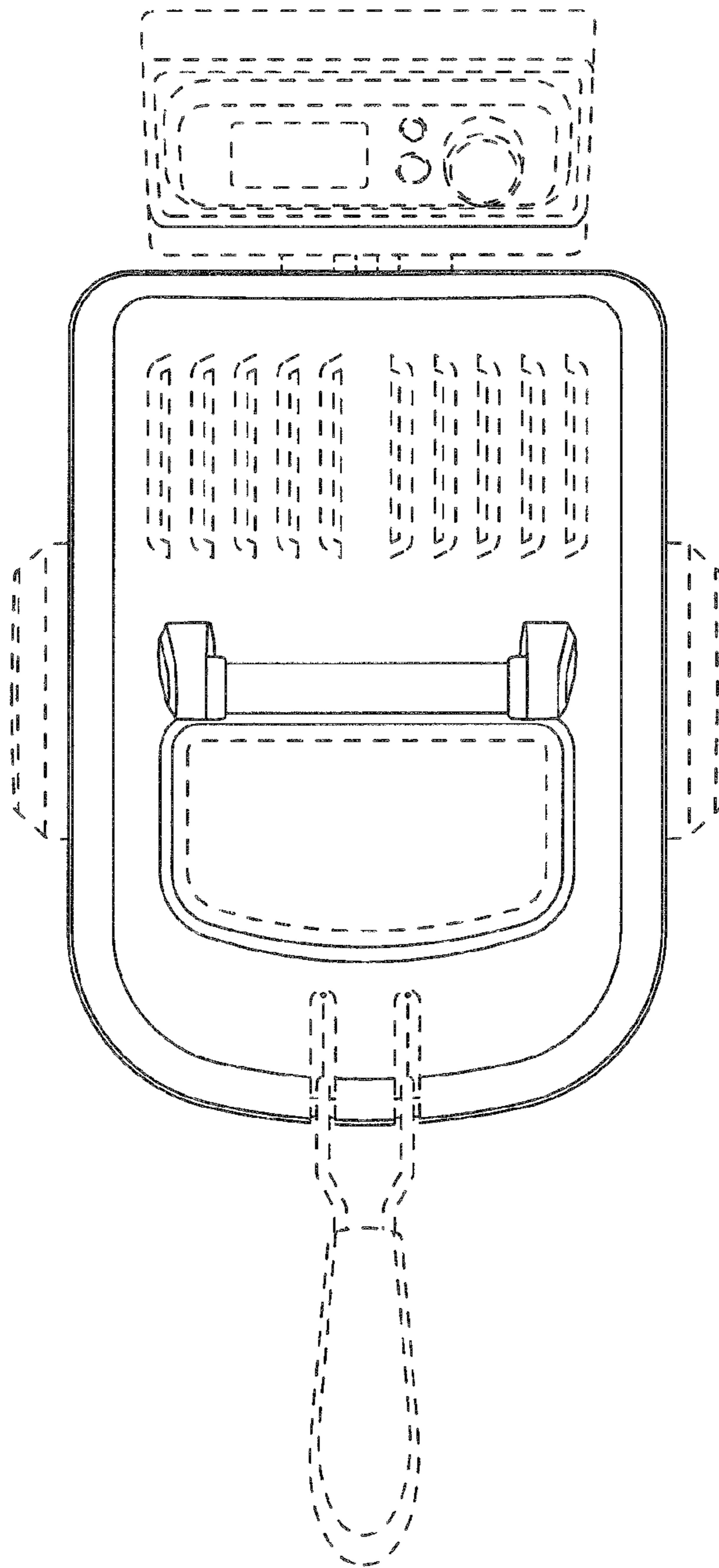


FIG. 5

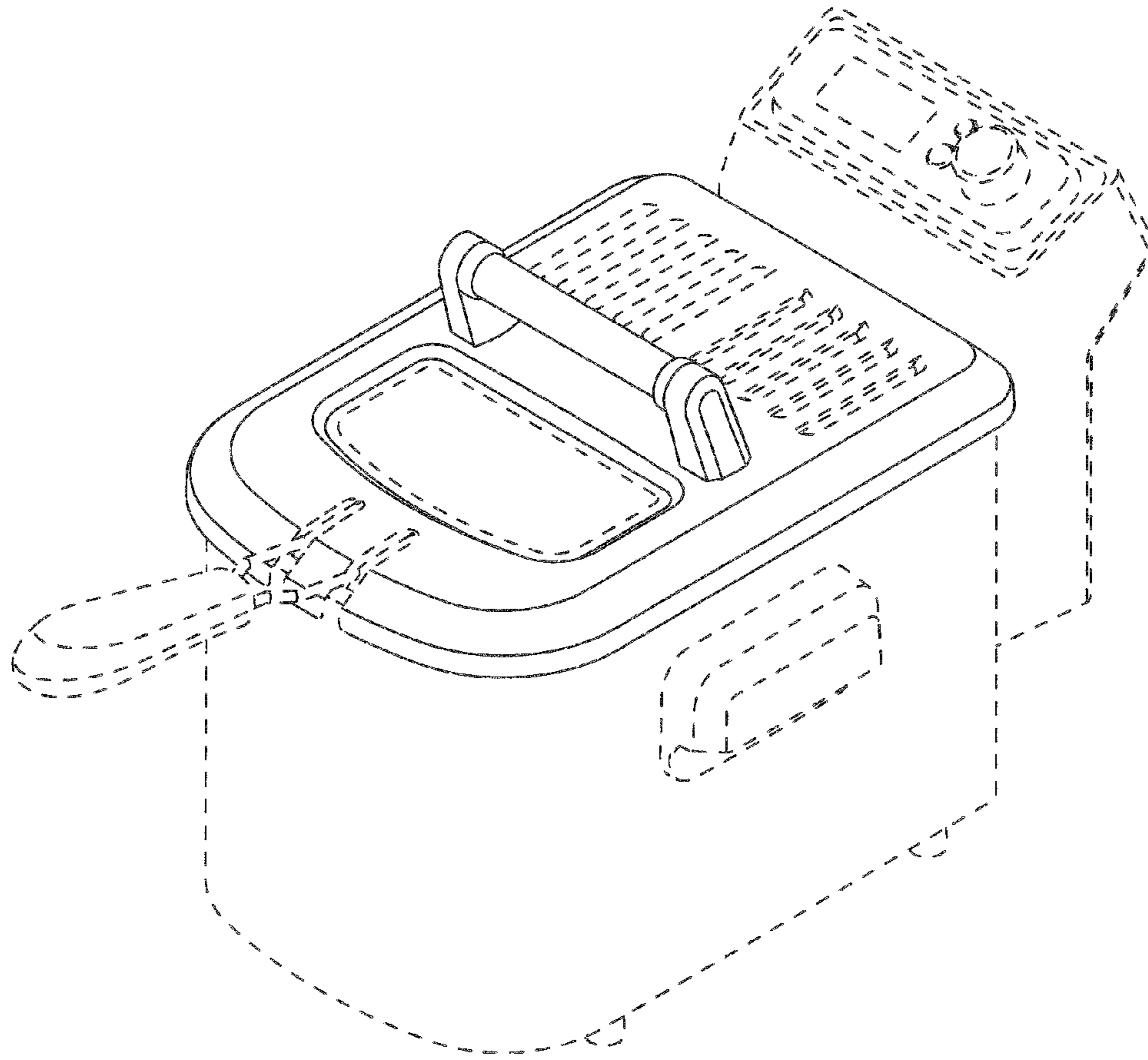


FIG. 6

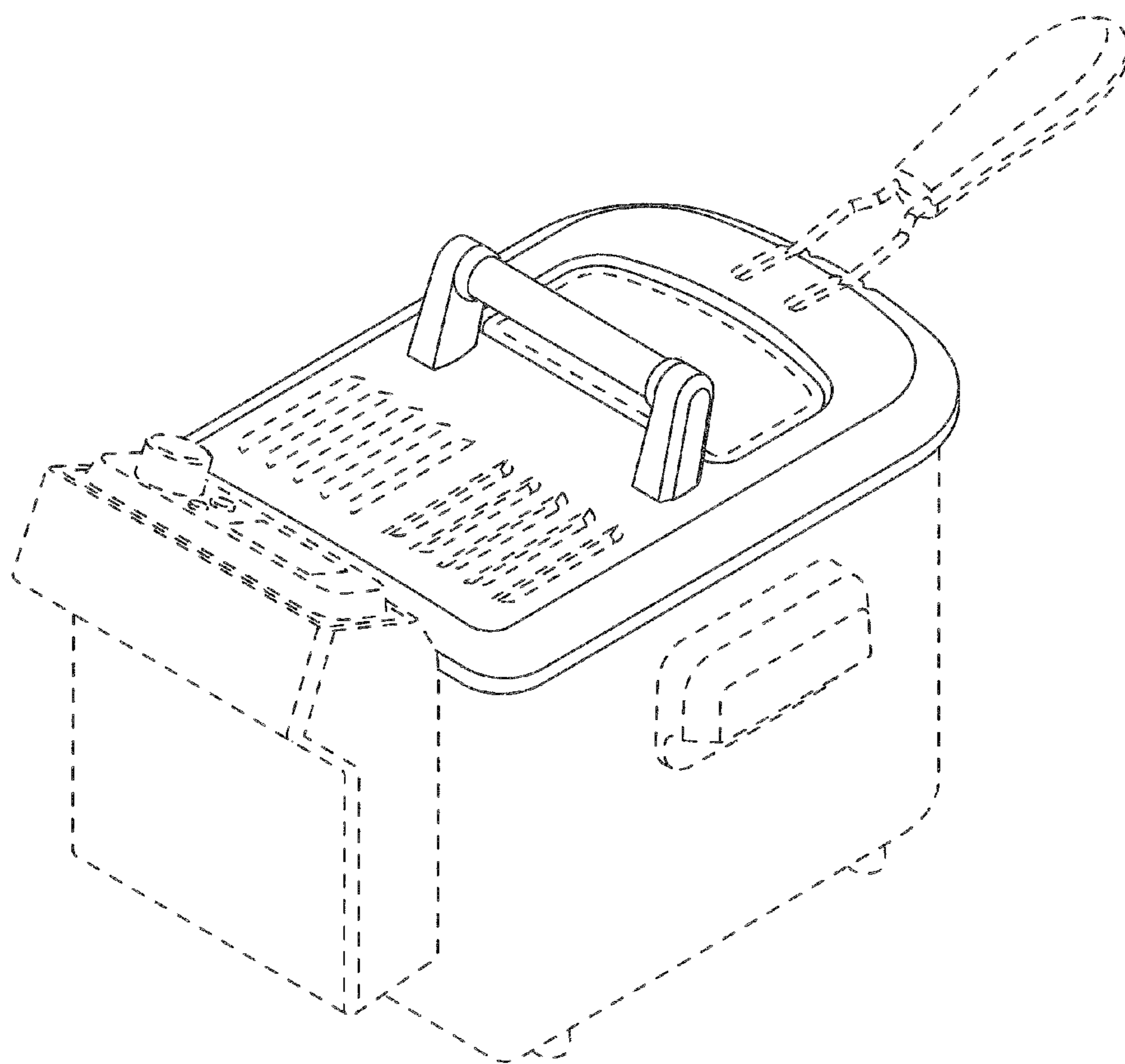


FIG. 7