

US00D677526S

(12) **United States Design Patent**
Wade

(10) **Patent No.:** **US D677,526 S**

(45) **Date of Patent:** **** Mar. 12, 2013**

(54) **PORTABLE GAS GRILL**

(75) Inventor: **Paul R Wade**, Kenosha, WI (US)

(73) Assignee: **Akerue Industries, LLC**, Antioch, IL (US)

(**) Term: **14 Years**

(21) Appl. No.: **29/402,482**

(22) Filed: **Sep. 23, 2011**

(51) **LOC (9) Cl.** **07-02**

(52) **U.S. Cl.** **D7/402; D7/335**

(58) **Field of Classification Search** D7/332, D7/334, 337, 402-406, 409; 126/27, 44, 126/25 R, 41 R, 9 R, 40, 50, 38, 39 H, 39 N, 126/39 K, 39 M, 39 R, 39 J, 39 G, 39 E, 126/285 R, 287, 290, 80, 243; 99/425, 444-44, 99/450, 481, 482, 340; 431/247, 207, 264
See application file for complete search history.

(56) **References Cited**

U.S. PATENT DOCUMENTS

D381,557 S *	7/1997	Bradley et al.	D7/402
D395,785 S *	7/1998	Lin	D7/332
D417,362 S *	12/1999	Ting	D7/402
D463,953 S *	10/2002	Hsu	D7/402

D465,691 S *	11/2002	Wu	D7/332
D478,245 S *	8/2003	Zhu	D7/332
D478,769 S *	8/2003	Zhu	D7/332
D482,561 S *	11/2003	Yeh	D7/332
D504,798 S *	5/2005	Nipke et al.	D7/402
D510,838 S *	10/2005	Nipke et al.	D7/402
D619,416 S *	7/2010	Bailey et al.	D7/402

* cited by examiner

Primary Examiner — Ruth McInroy

(74) *Attorney, Agent, or Firm* — Justin Lampel

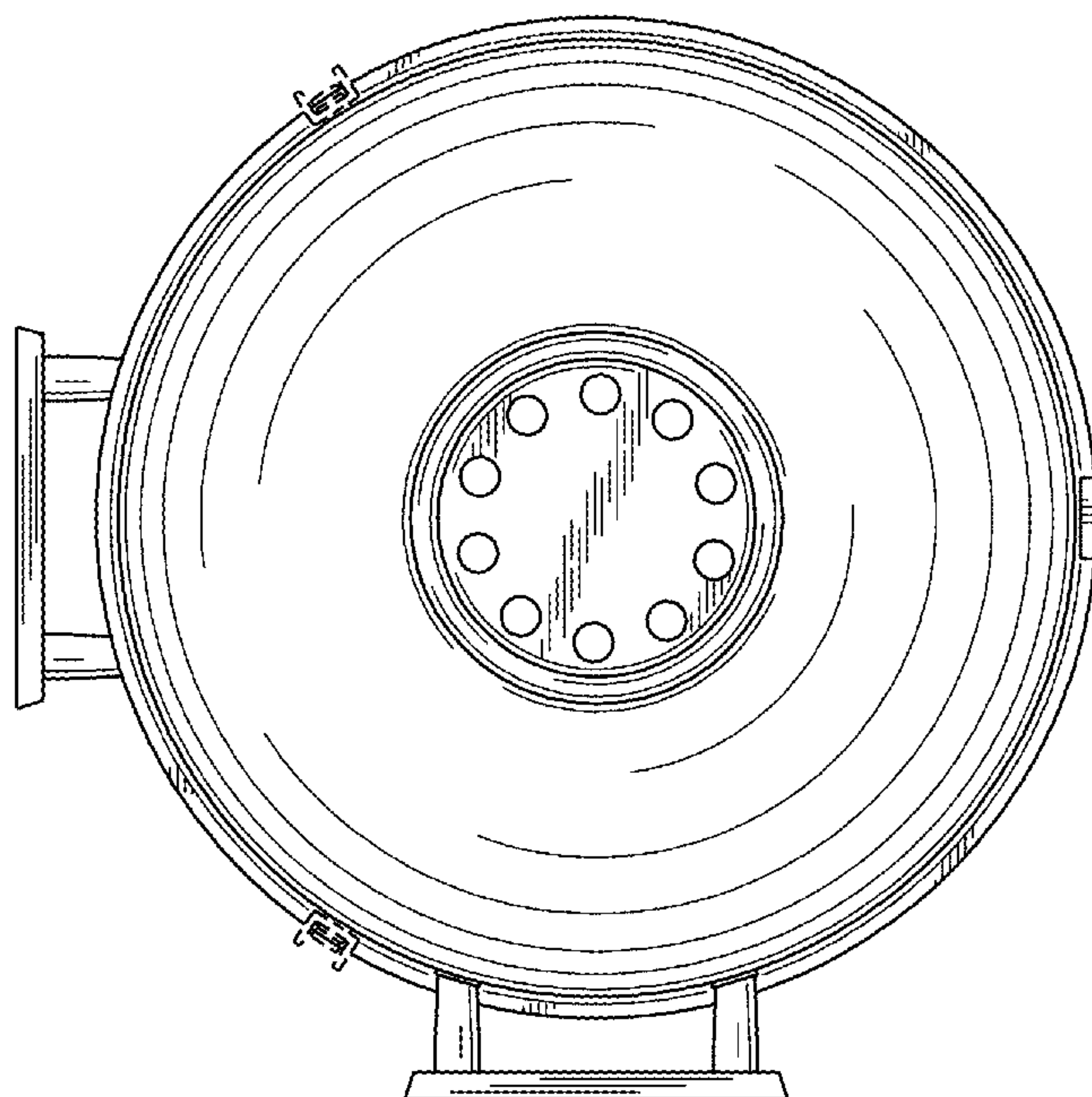
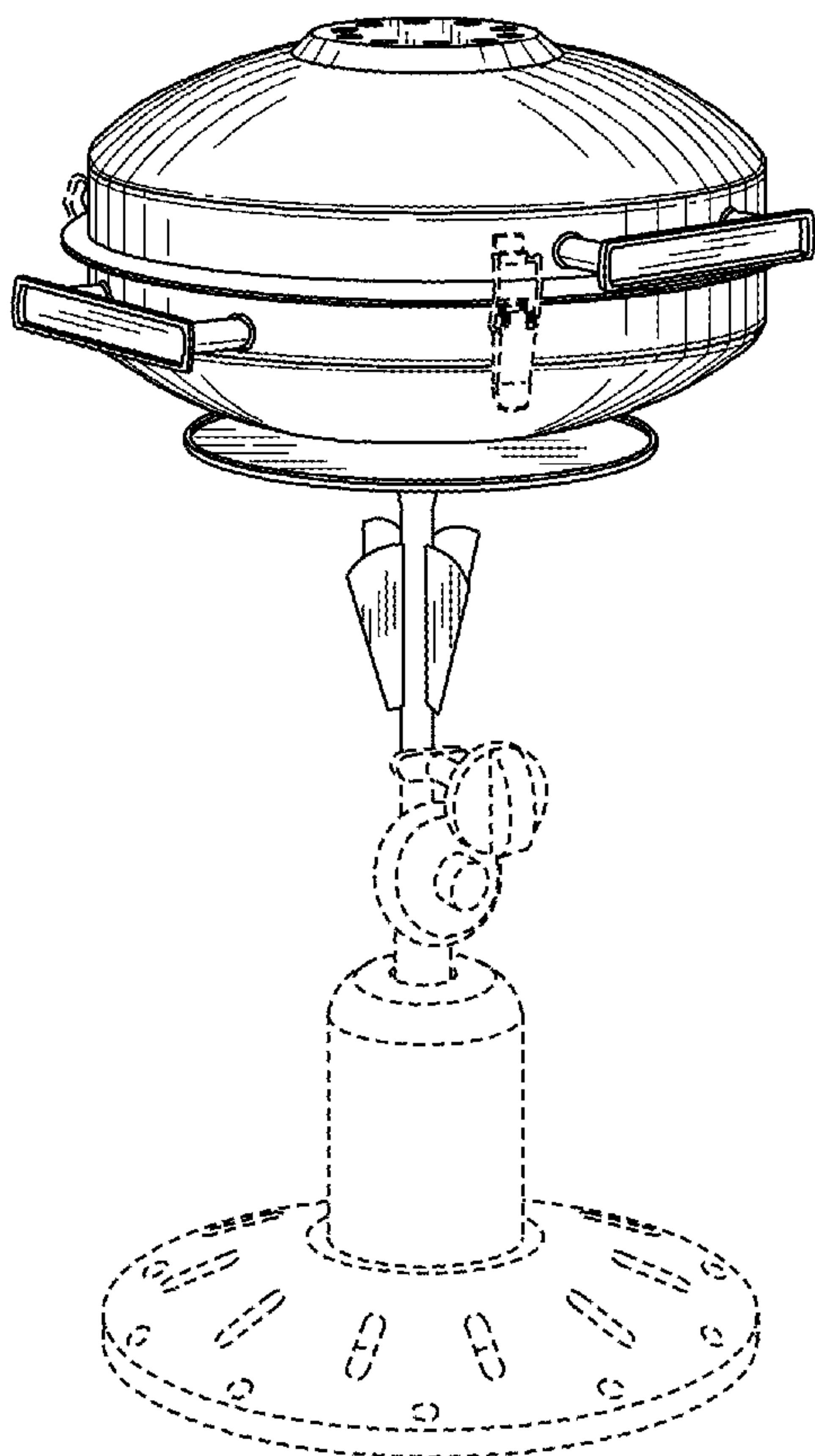
(57) **CLAIM**

The ornamental design for a portable gas grill, as shown and described.

DESCRIPTION

FIG. 1 is a front perspective view of a portable gas grill showing my new design;
FIG. 2 is a top view thereof;
FIG. 3 is a front view thereof;
FIG. 4 is a side view thereof;
FIG. 5 is a rear view thereof; and,
FIG. 6 is a side view opposite FIG. 4.
The broken line showing is for illustrative purposes only and forms no part of the claimed design.

1 Claim, 6 Drawing Sheets



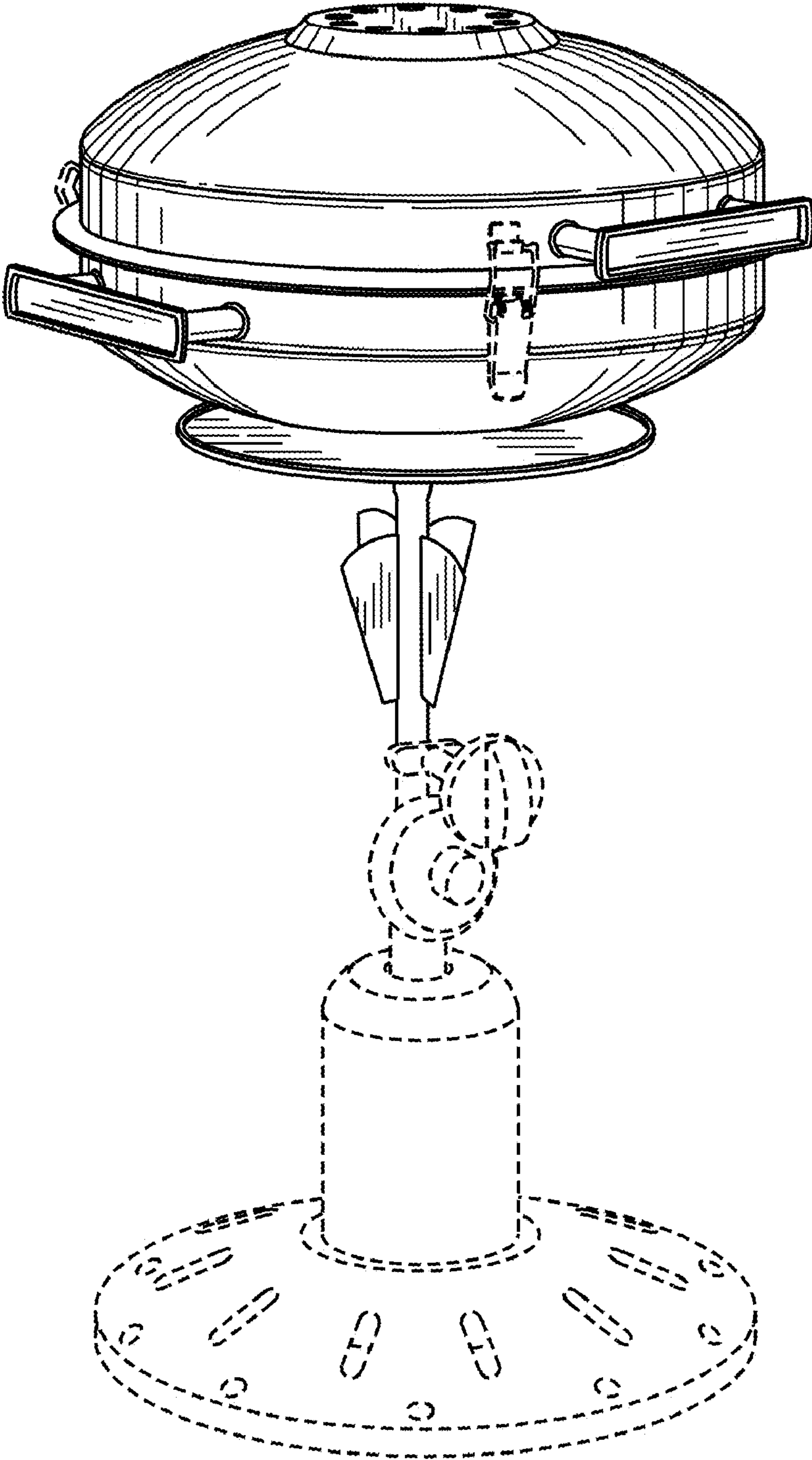


FIG. 1

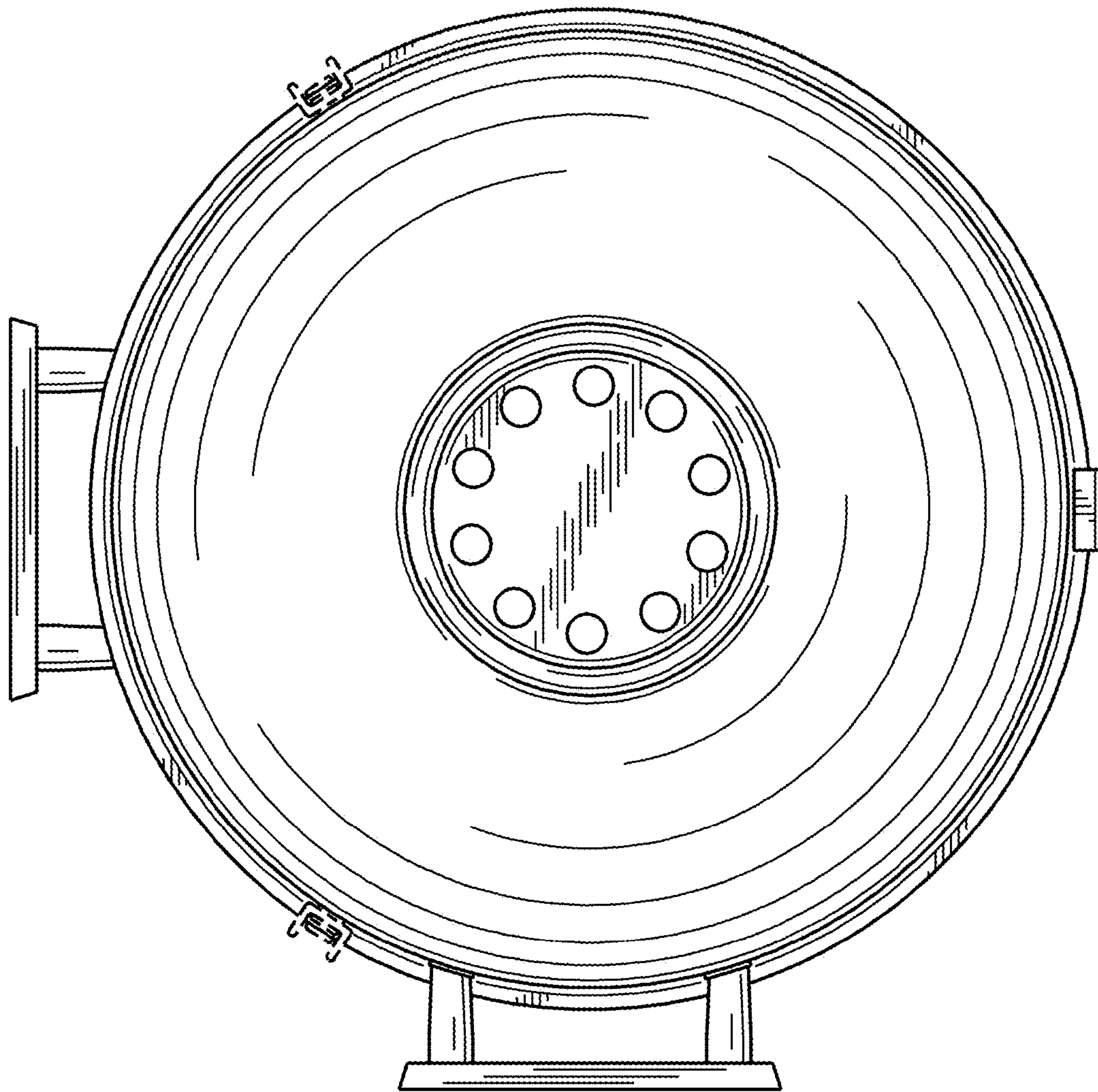


FIG. 2

