



US00D677525S

(12) **United States Design Patent**
Luebke

(10) **Patent No.:** **US D677,525 S**

(45) **Date of Patent:** **** Mar. 12, 2013**

(54) **AERATOR**

(75) Inventor: **Jamin Luebke**, Minneapolis, MN (US)

(73) Assignee: **Aerawine LLC**, Minneapolis, MN (US)

(**) Term: **14 Years**

(21) Appl. No.: **29/431,496**

(22) Filed: **Sep. 7, 2012**

(51) **LOC (9) Cl.** **07-99**

(52) **U.S. Cl.** **D7/398; D7/397; D9/440**

(58) **Field of Classification Search** D7/398,
D7/397, 387, 213, 700, 400, 667; D9/440;
261/DIG. 75, 76; 222/190, 189.07, 113
See application file for complete search history.

(56) **References Cited**

U.S. PATENT DOCUMENTS

2,155,049	A *	4/1939	Isaacson	220/717
D229,826	S *	1/1974	Ruptis	D9/440
D263,715	S *	4/1982	Walter	D15/199
D418,417	S *	1/2000	Hollinger	D9/440
D447,602	S *	9/2001	Dumler et al.	D28/76
6,568,660	B1 *	5/2003	Flanbaum	261/76
D533,776	S *	12/2006	Allen et al.	D9/440
D614,443	S *	4/2010	Federighi	D7/398
D624,358	S *	9/2010	Maufette et al.	D7/398

D652,251	S *	1/2012	Goralski et al.	D7/397
D663,580	S *	7/2012	Vagnby	D7/400
8,245,882	B1 *	8/2012	Federighi	222/190
8,251,352	B2 *	8/2012	Chiorazzi et al.	261/76

* cited by examiner

Primary Examiner — Marianne Pandozzi

(74) *Attorney, Agent, or Firm* — Vidas, Arrett & Steinkraus, P.A.

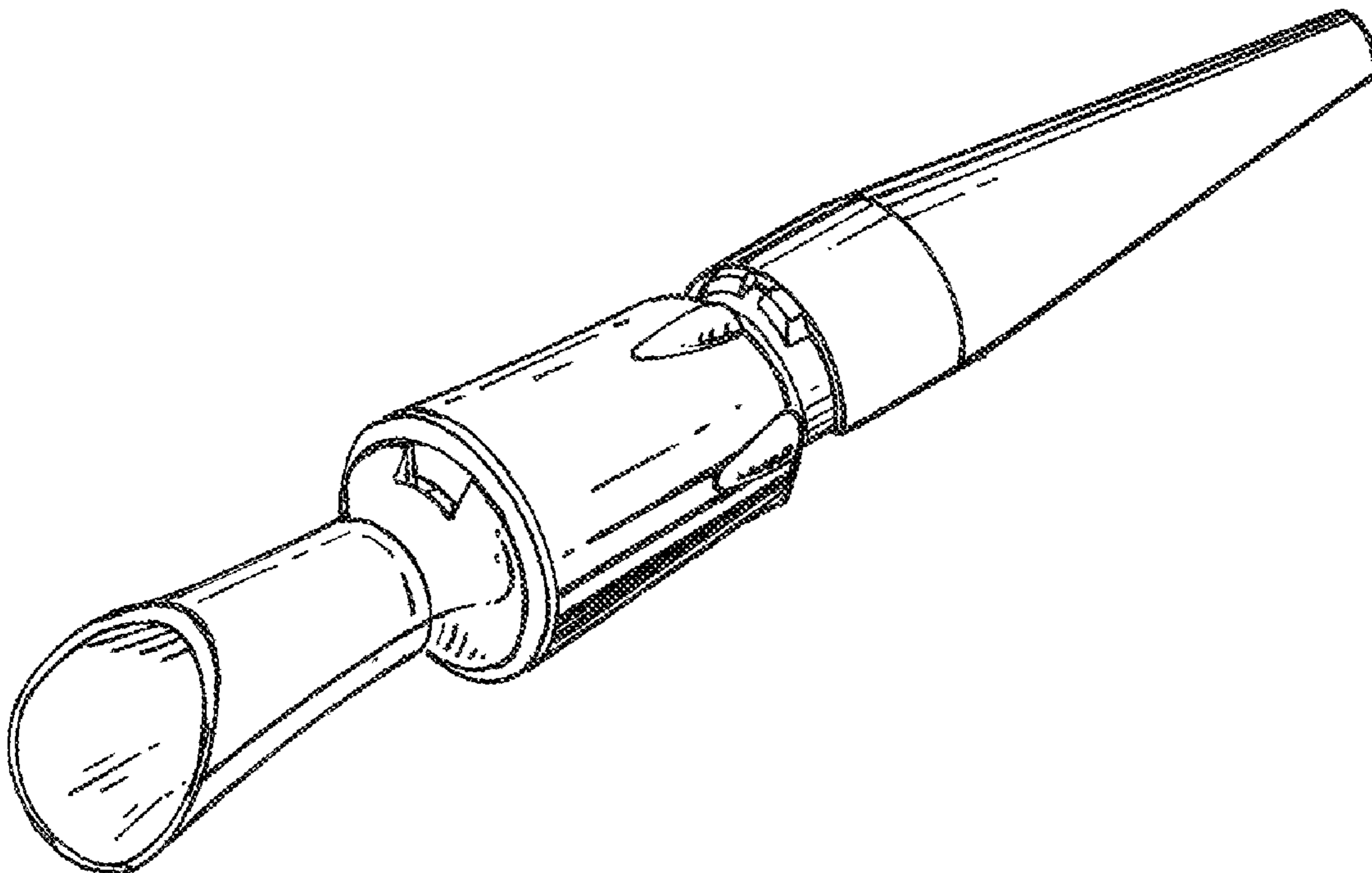
(57) **CLAIM**

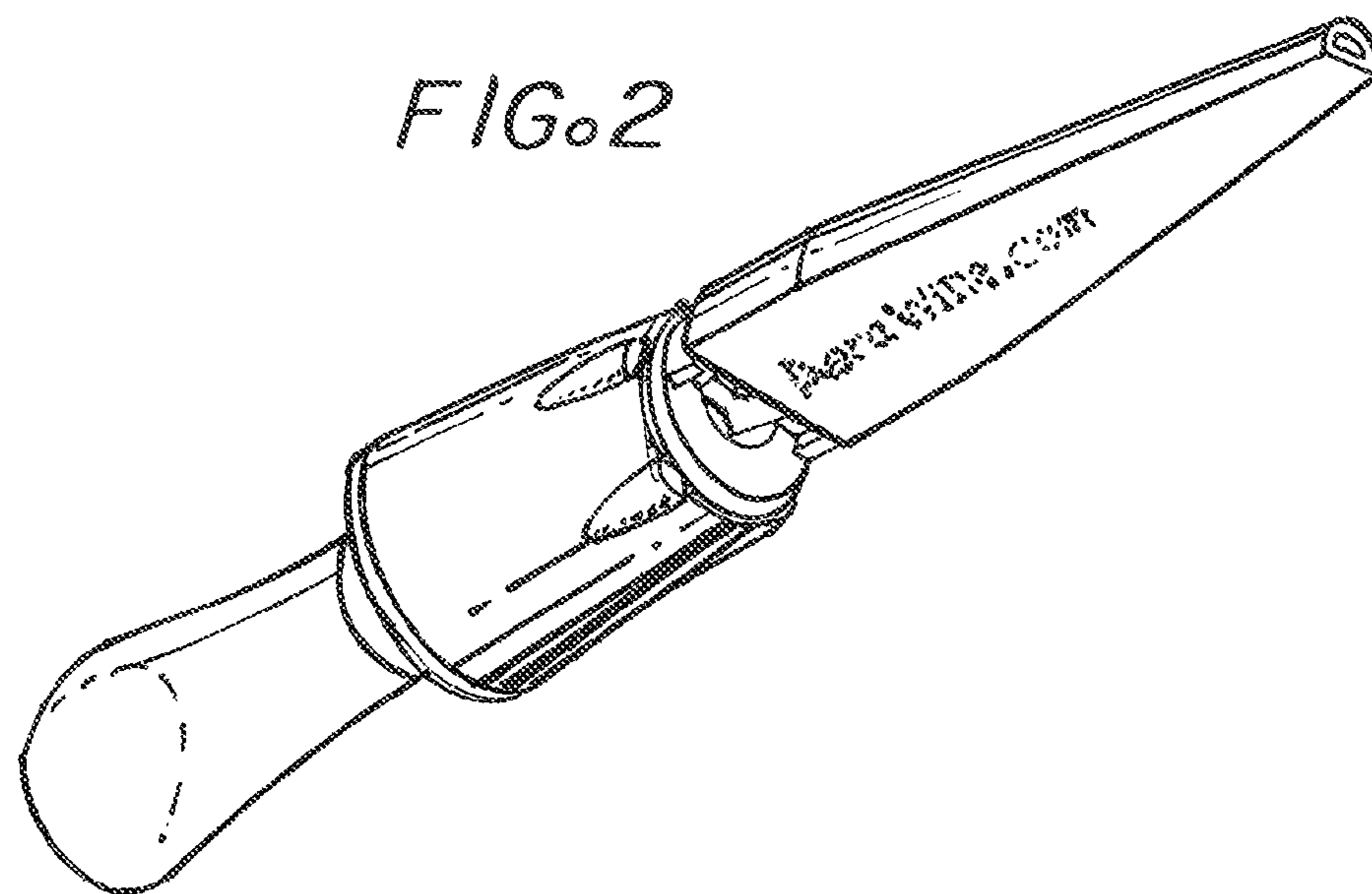
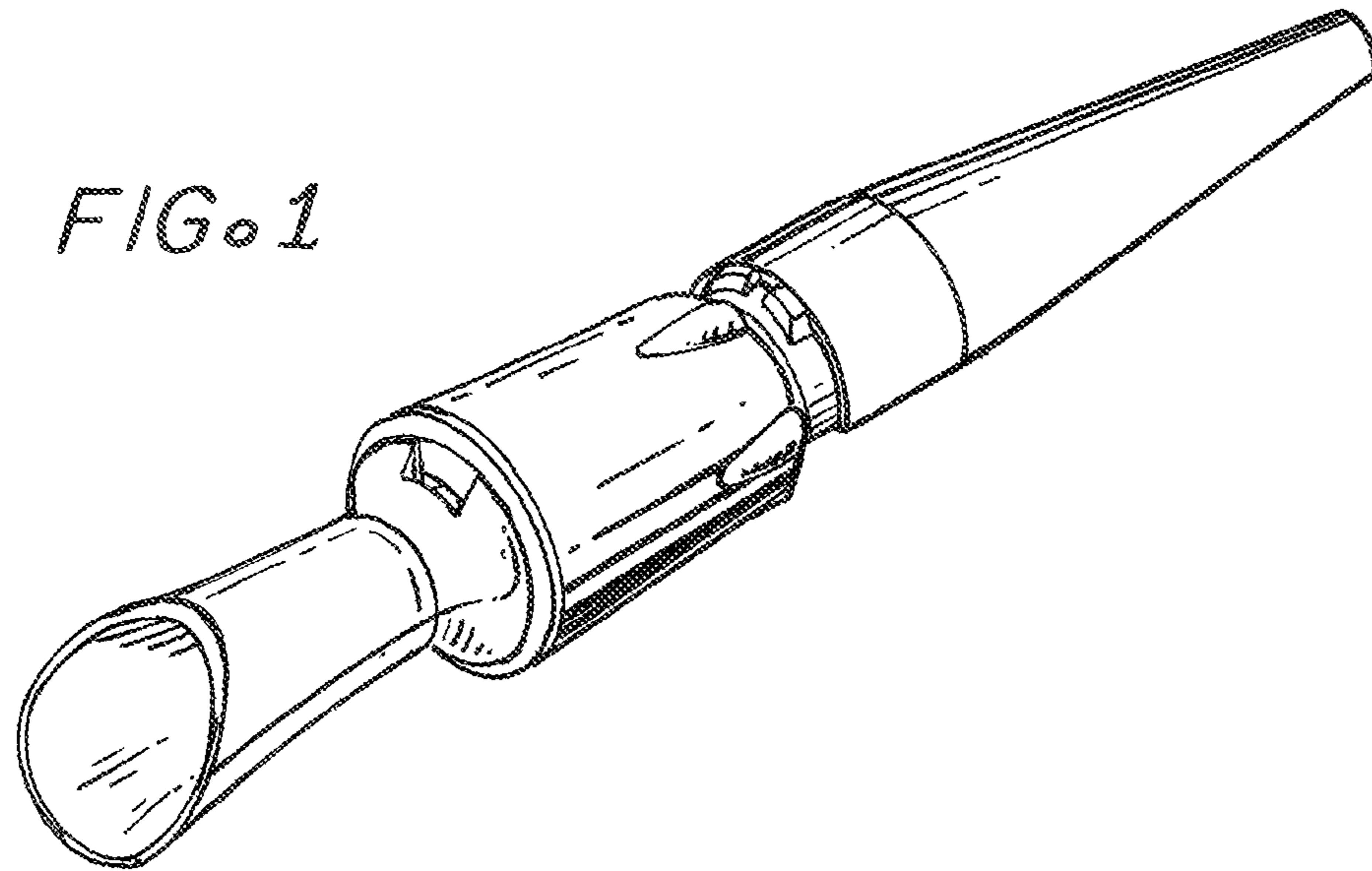
The ornamental design for an aerator, as shown and described.

DESCRIPTION

FIG. 1 is a top, rear, and left side perspective view of an aerator showing my new design; FIG. 2 is a bottom front and left side perspective view thereof; FIG. 3 is a rear view thereof; FIG. 4 is a left side view thereof; FIG. 5 is a front view thereof; FIG. 6 is an enlarged top plan view thereof; and, FIG. 7 is an enlarged bottom plan view thereof. The broken line showing of a web address in FIGS. 2 and 5 is included for the purpose of illustration and forms no part of the claimed design.

1 Claim, 2 Drawing Sheets





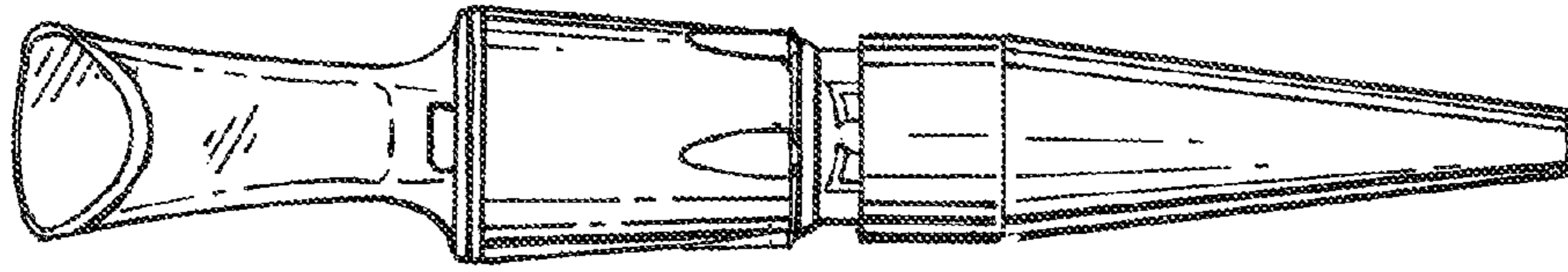


FIG. 3

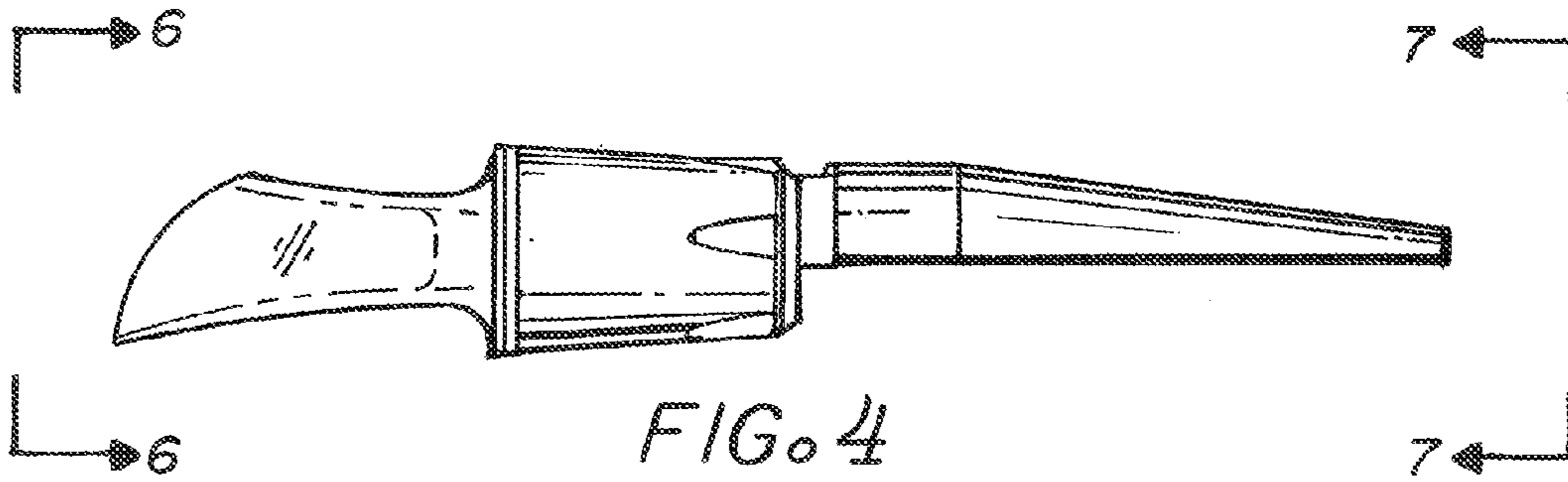


FIG. 4

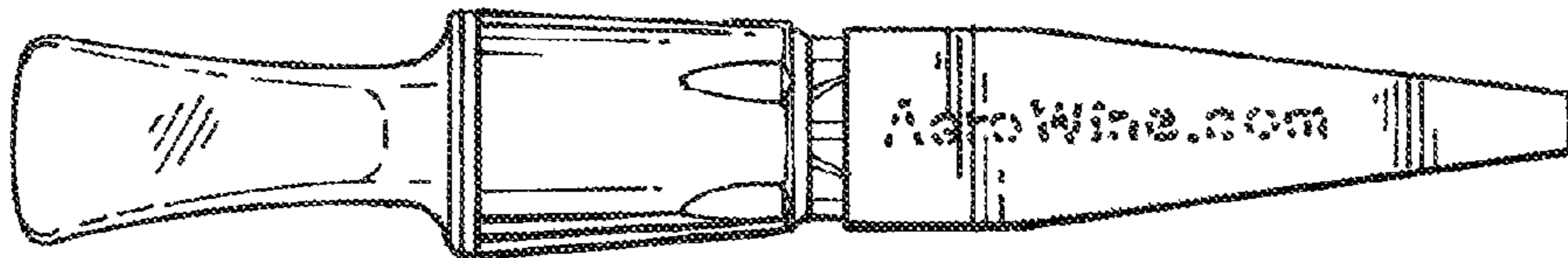


FIG. 5

FIG. 6

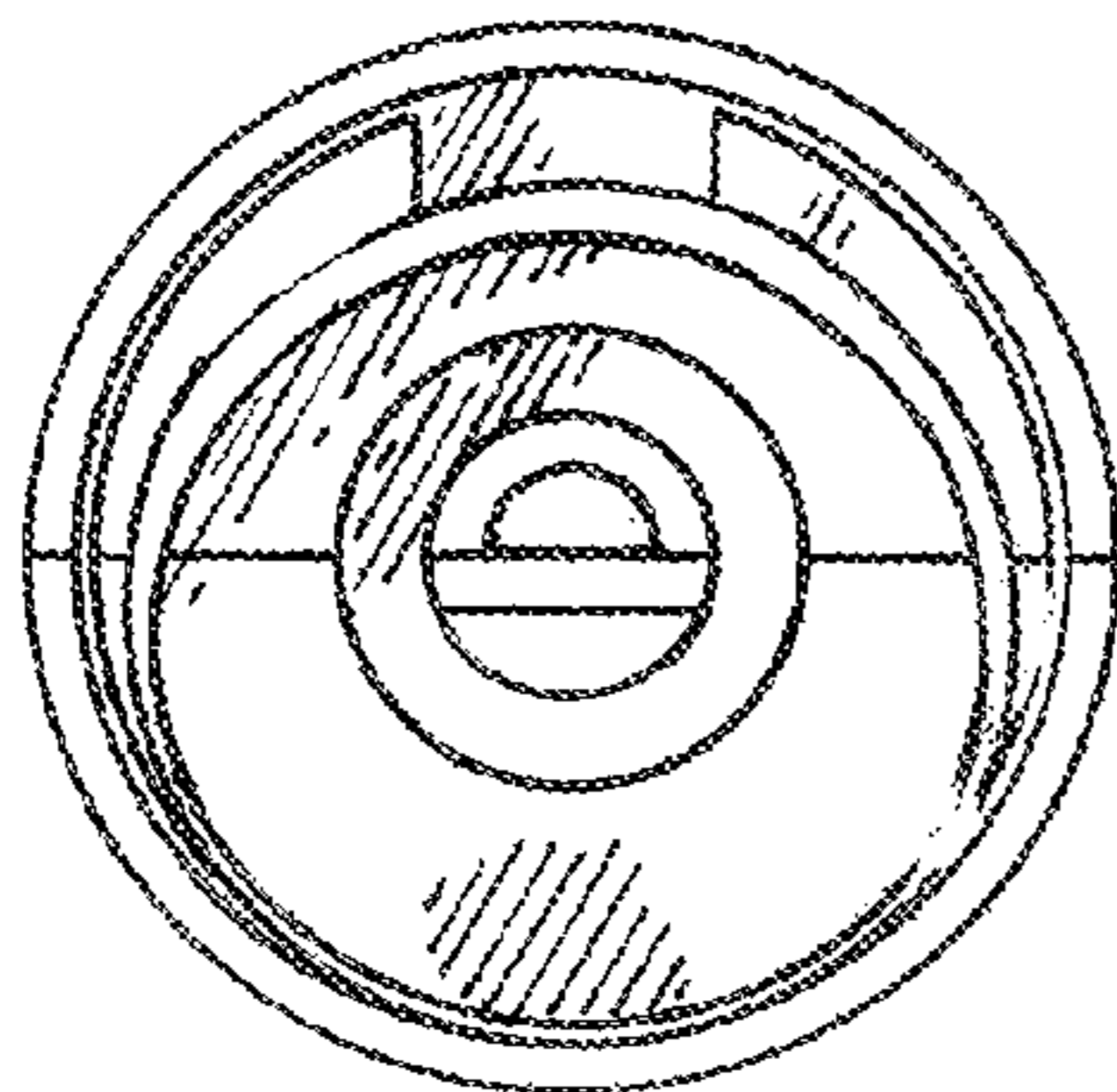


FIG. 7

