



US00D677523S

(12) **United States Design Patent**  
**Blckert et al.**

(10) **Patent No.:** **US D677,523 S**  
(45) **Date of Patent:** **\*\* Mar. 12, 2013**

(54) **TUMBLER LID**

(75) Inventors: **Robert Blckert**, Mobile, AL (US);  
**Mark Eyman**, Chicago, IL (US);  
**Michael Prince**, Chicago, IL (US)

(73) Assignee: **EBSCO Industries, Inc.**, Birmingham,  
AL (US)

(\*\*) Term: **14 Years**

(21) Appl. No.: **29/392,654**

(22) Filed: **May 24, 2011**

(51) **LOC (9) Cl.** ..... **07-02**

(52) **U.S. Cl.** ..... **D7/392.1**

(58) **Field of Classification Search** ..... D7/391,  
D7/392, 392.1, 602, 629, 619.1, 509, 510,  
D7/900; D9/600, 452-454, 445, 447, 449,  
D9/435, 438, 772; 220/709-713, 361, 287,  
220/268, 266, 154, 254.3-254.9, 254.1  
See application file for complete search history.

(56) **References Cited**

**U.S. PATENT DOCUMENTS**

2,682,970	A *	7/1954	Brothers, Jr.	220/361
2,956,721	A	10/1960	Bennett	
D201,320	S *	6/1965	Hirohama	D9/453
3,904,072	A	9/1975	Whiteside	
D240,595	S *	7/1976	Kress	D9/452
4,121,835	A	10/1978	Garabedian	
4,183,168	A *	1/1980	Ross	446/255
4,302,901	A *	12/1981	Psyrras	446/46
4,494,668	A	1/1985	Lottick	
D297,309	S *	8/1988	Andersson et al.	D9/772
D301,691	S *	6/1989	Mobberley	D9/453
D318,220	S *	7/1991	Stenberg et al.	D9/438
D358,294	S *	5/1995	Letica	D7/392.1
D381,267	S	7/1997	Rush et al.	
D381,268	S	7/1997	Rush et al.	
D417,845	S	12/1999	Sadlier et al.	
6,260,729	B1 *	7/2001	Mitchell et al.	220/287
D451,760	S	12/2001	Fox	
D509,707	S	9/2005	Tien	
D512,872	S *	12/2005	McMahon et al.	D7/392
D548,012	S	8/2007	Tien	

D550,078	S *	9/2007	Henry et al.	D9/435
D565,950	S *	4/2008	Mitchell et al.	D9/454
7,484,639	B2	2/2009	Maravich et al.	
7,537,136	B2	5/2009	Hechmati	

(Continued)

**FOREIGN PATENT DOCUMENTS**

WO WO 2009/008587 1/2009

**OTHER PUBLICATIONS**

Playtex Baby Twist n' Click Lil' Gripper No-Spout replacement Lid:  
<http://www.playtexstore.com/cgi-bin/item/TB50036>; available at  
least as early as Feb. 3, 2011.

(Continued)

*Primary Examiner* — Cynthia M Chin

(74) *Attorney, Agent, or Firm* — Smith Gambrell & Russell  
LLP

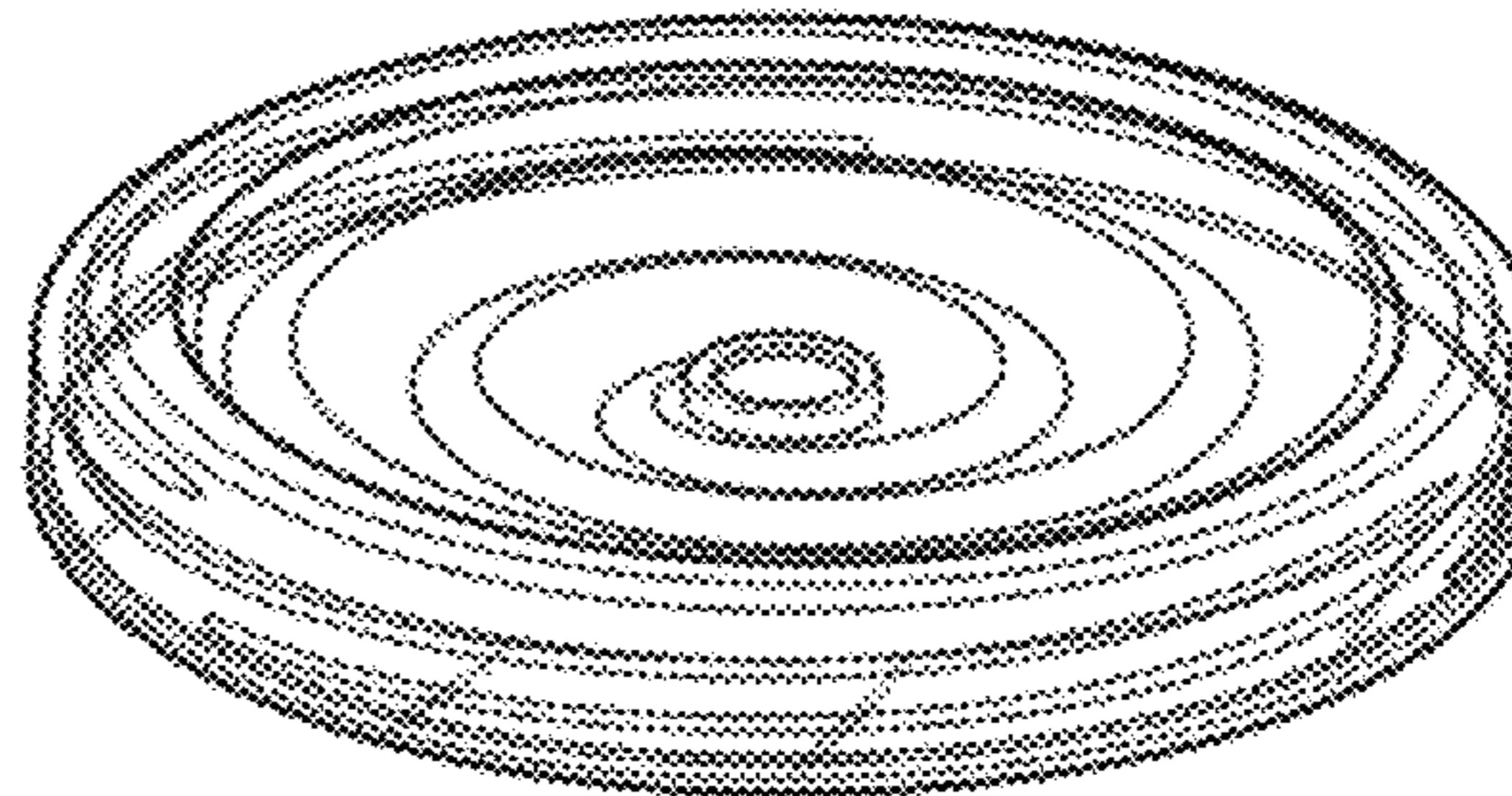
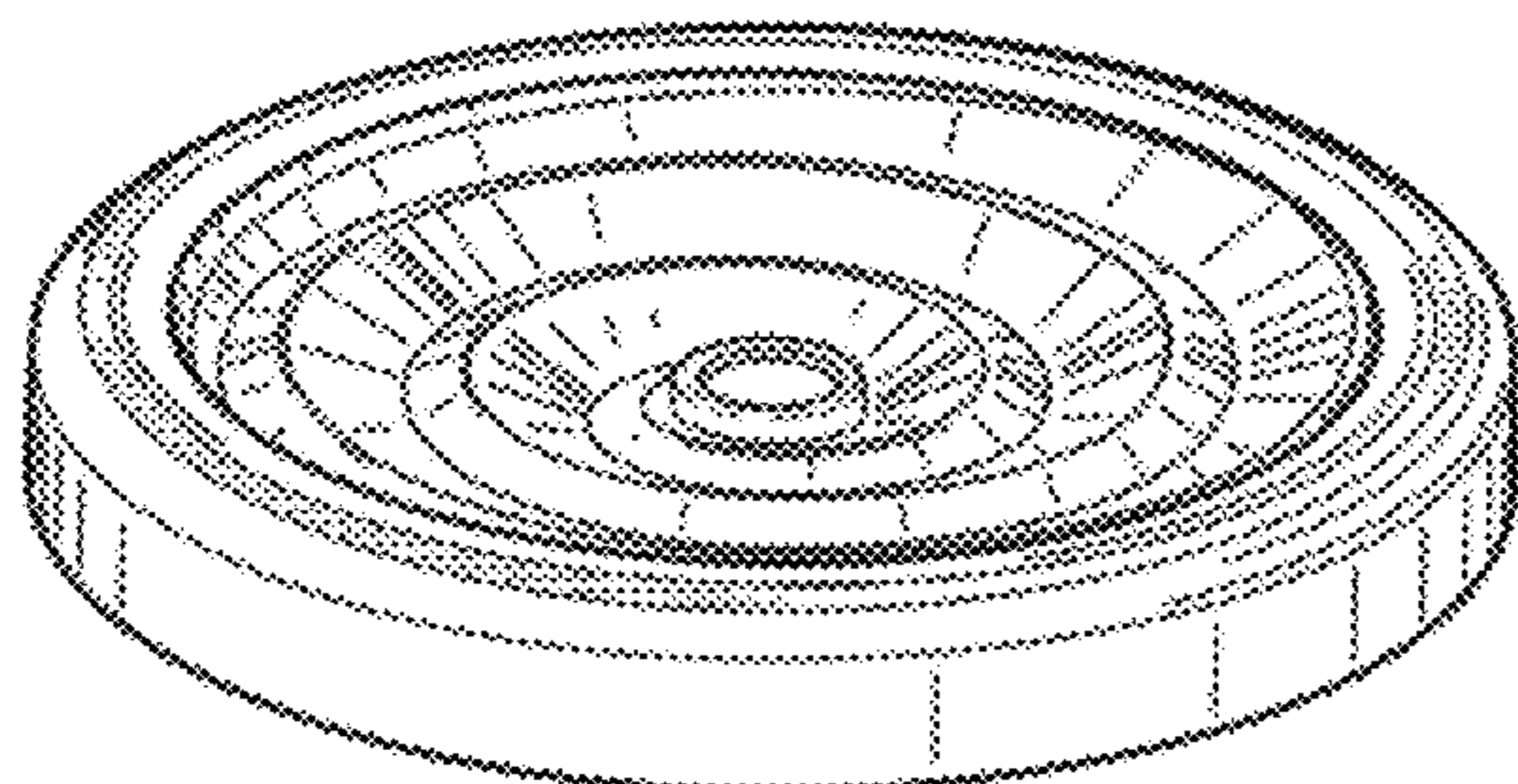
(57) **CLAIM**

The ornamental design for a tumbler lid, as shown and  
described.

**DESCRIPTION**

FIG. 1 is a front perspective view of the tumbler lid;  
FIG. 2 is a front view of the tumbler lid of FIG. 1, the front  
view being identical to the rear view and the two side views;  
FIG. 3 is a top plan view of the tumbler lid of FIG. 1;  
FIG. 4 is a bottom view of the tumbler lid of FIG. 1;  
FIG. 5 is a front perspective view of a second embodiment of  
the tumbler lid, the tumbler lid comprising a transparent  
material;  
FIG. 6 is a front side view of the tumbler lid of FIG. 5;  
FIG. 7 is a rear side view of the tumbler lid of FIG. 5;  
FIG. 8 is a first side view of the tumbler lid of FIG. 5;  
FIG. 9 is a second side view of the tumbler lid of FIG. 5;  
FIG. 10 is a top plan view of the tumbler lid of FIG. 5; and,  
FIG. 11 is a bottom view of the tumbler lid of FIG. 5.  
Shading shown in the figures is for illustrative purposes to  
show the surface contours of the tumbler grip in the drawings  
only and forms no part of the invention.

**1 Claim, 2 Drawing Sheets**



# US D677,523 S

Page 2

---

## U.S. PATENT DOCUMENTS

D612,196 S \* 3/2010 Furlong ..... D7/392.1  
D618,967 S 7/2010 Bodum  
D621,659 S 8/2010 Liu  
D623,474 S 9/2010 Carlson et al.  
D623,476 S 9/2010 Carlson et al.  
D631,936 S 2/2011 Wright  
7,922,031 B1 4/2011 Prince  
D640,094 S 6/2011 Carlson et al.  
D642,057 S \* 7/2011 Reed et al. .... D9/453  
D645,741 S \* 9/2011 Dunwoody ..... D9/435  
D648,985 S \* 11/2011 Chiu et al. .... D7/510  
2007/0181591 A1 8/2007 Pierce et al.

2008/0078824 A1 4/2008 Spriegel et al.  
2009/0050641 A1 2/2009 Ivey  
2009/0110782 A1 4/2009 Mellor  
2010/0000998 A1 1/2010 Schutz  
2011/0062168 A1 3/2011 Chow et al.

## OTHER PUBLICATIONS

Copending U.S. Appl. No. 29/392,653, filed May 24, 2011.  
Copending U.S. Appl. No. 29/393,720, filed Jun. 8, 2011.  
Copending U.S. Appl. No. 29/392,401, filed May 20, 2011.

\* cited by examiner

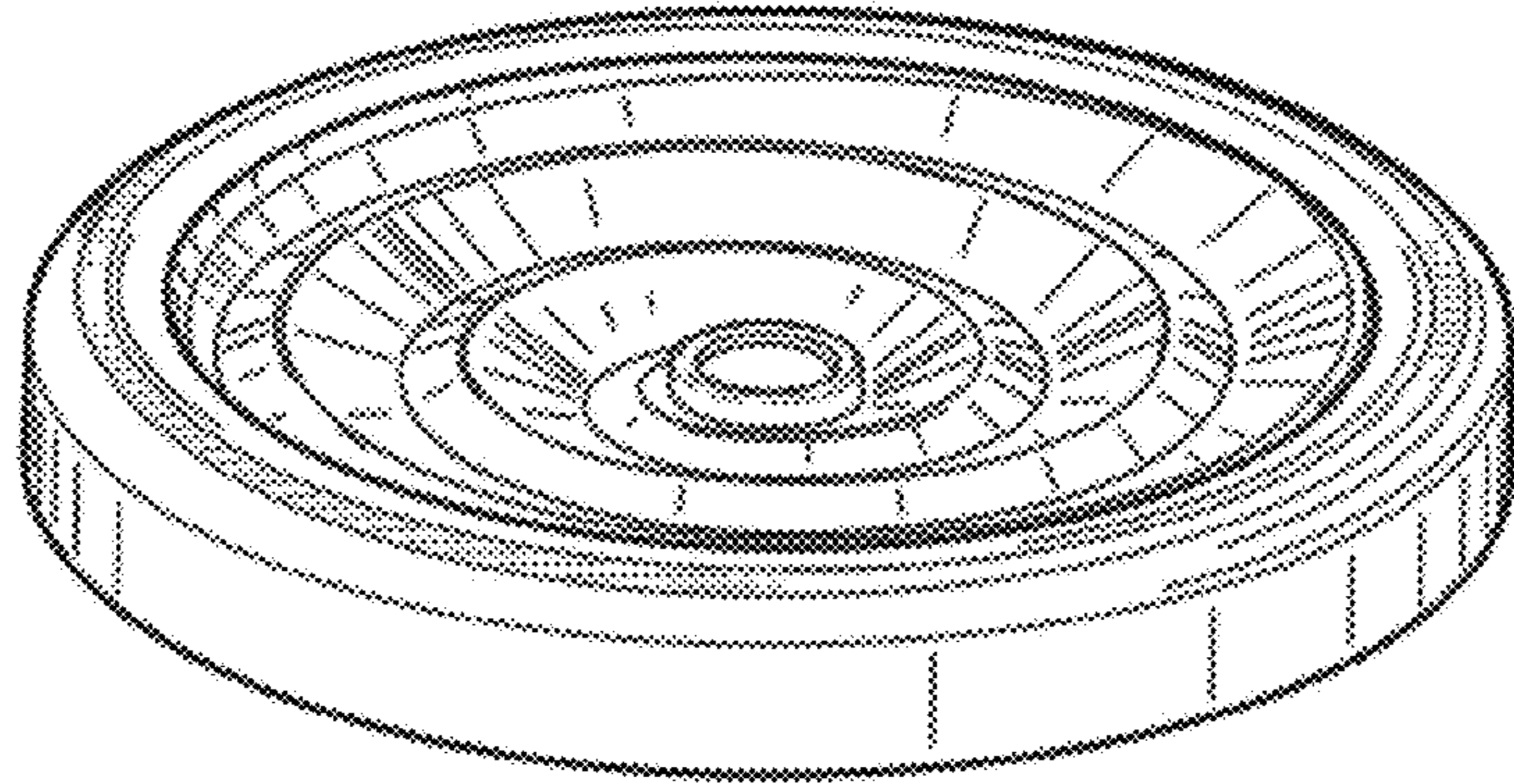


FIG. 1



FIG. 2

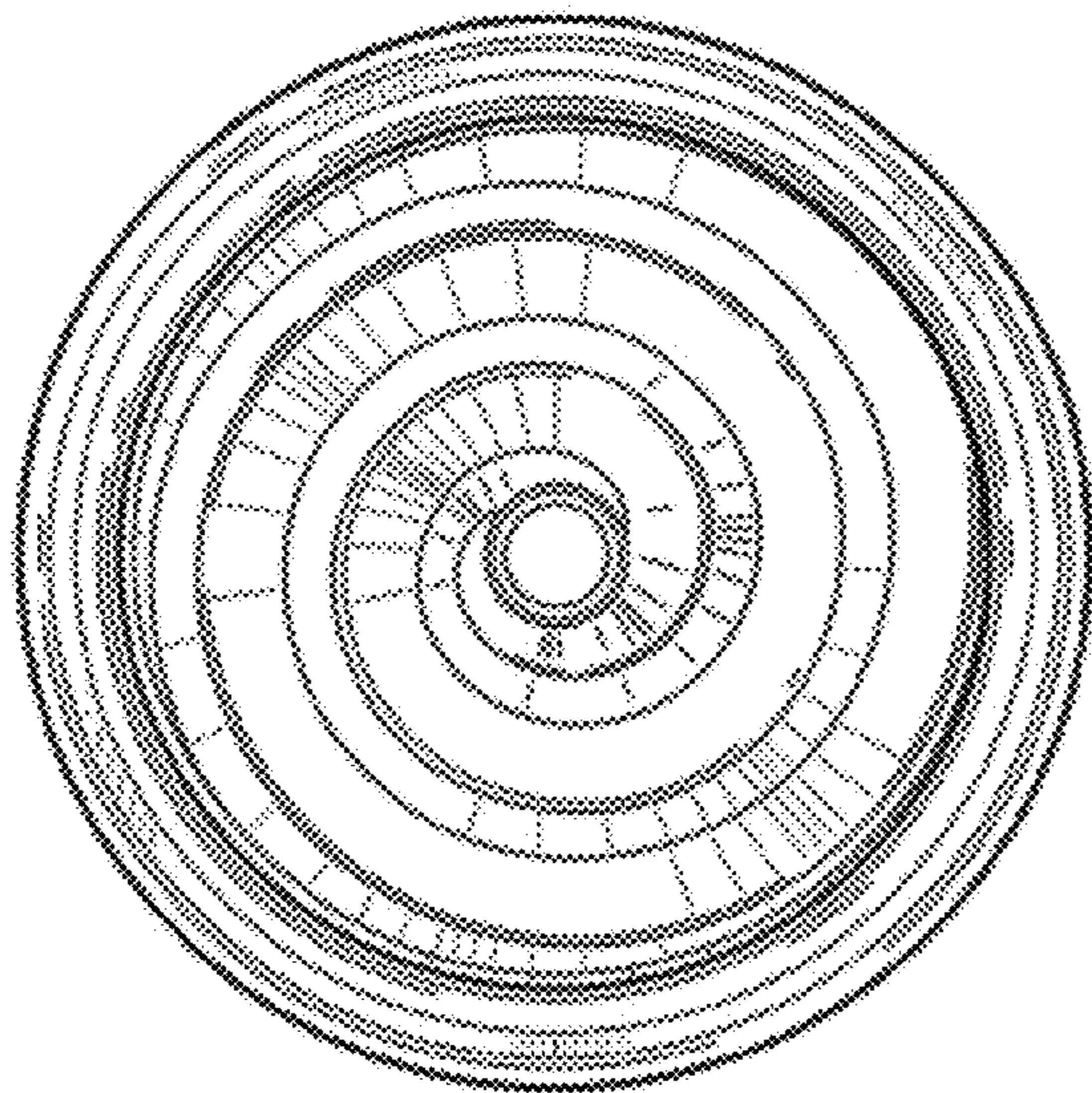


FIG. 3

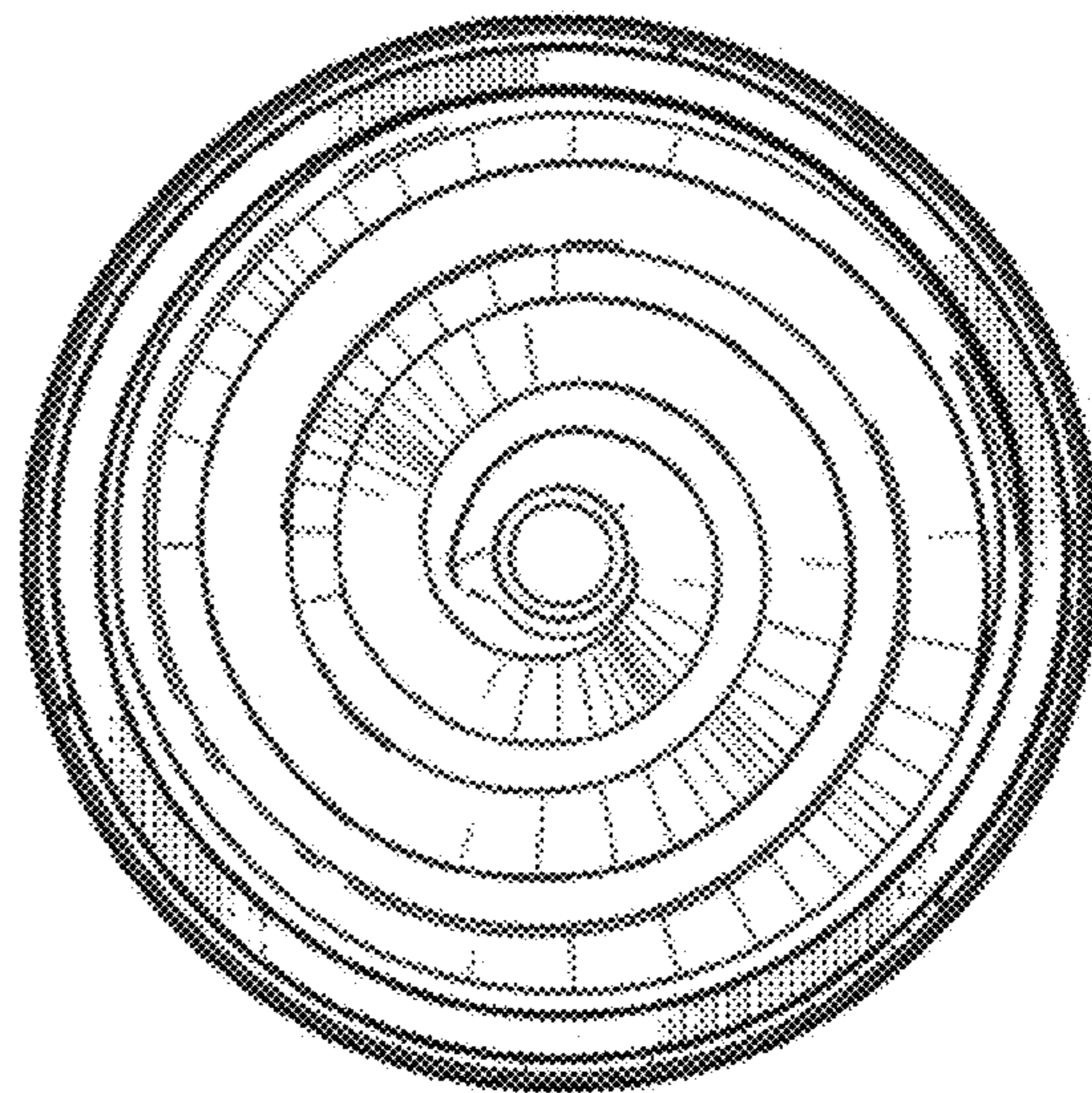
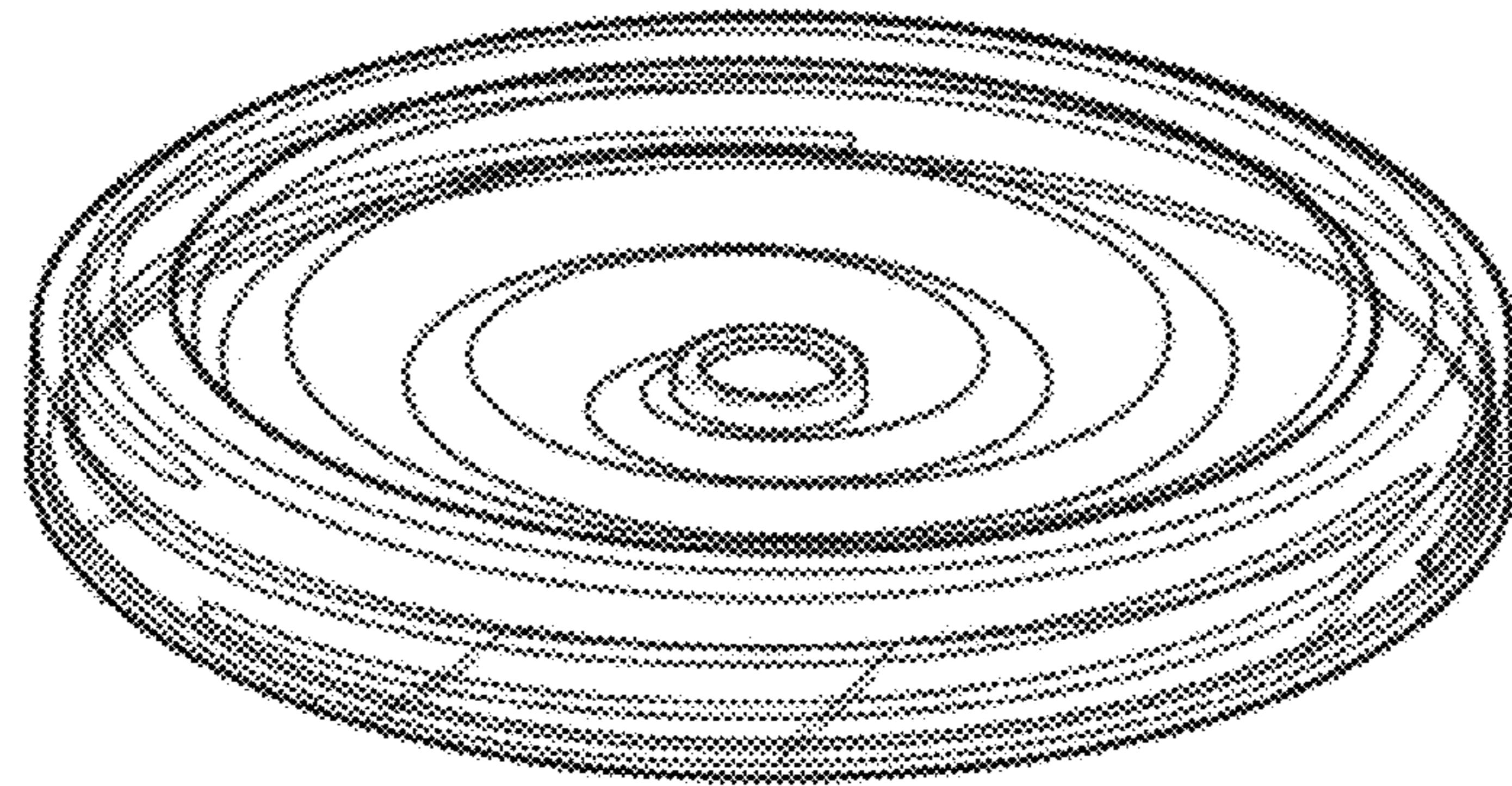
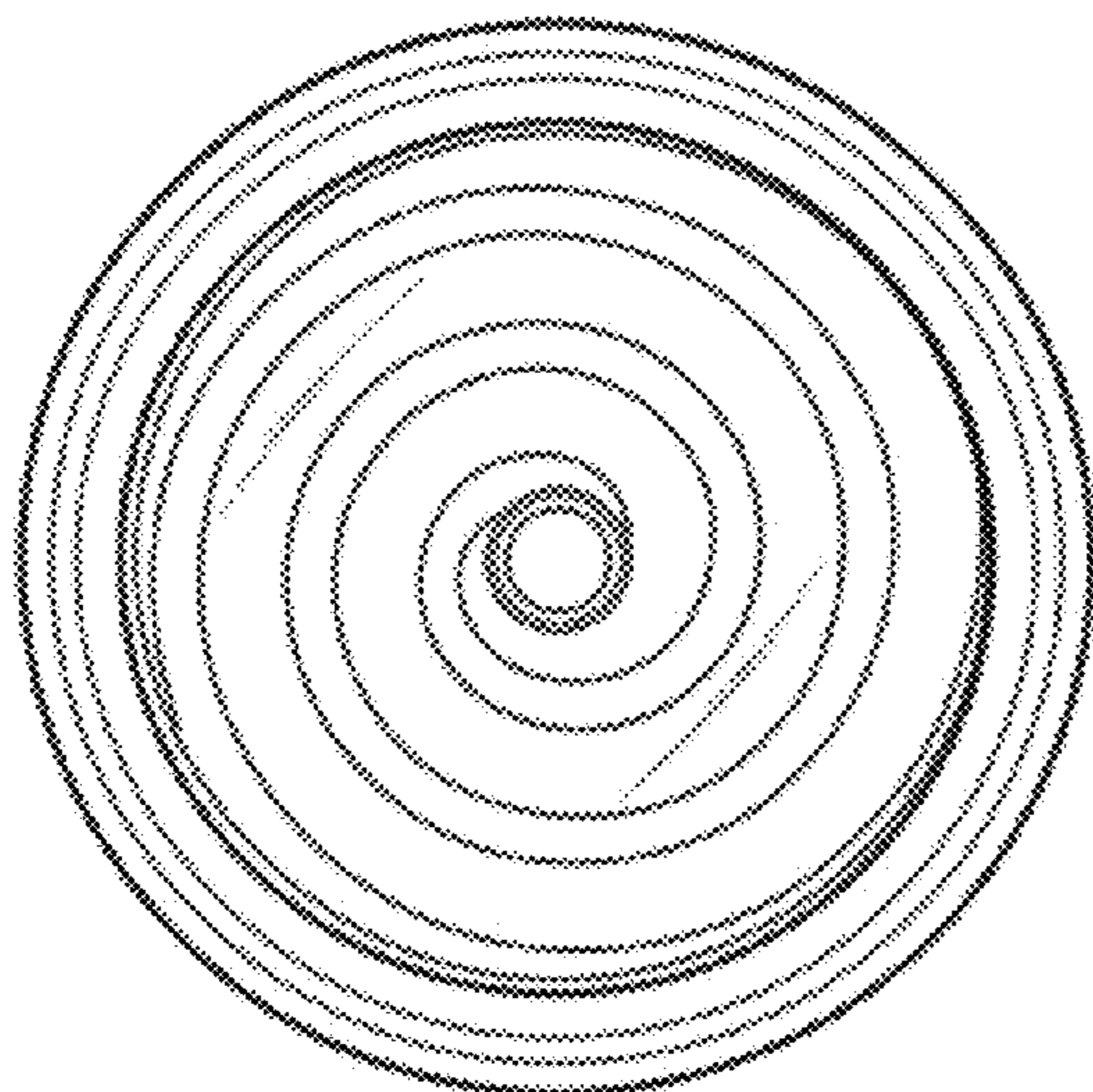
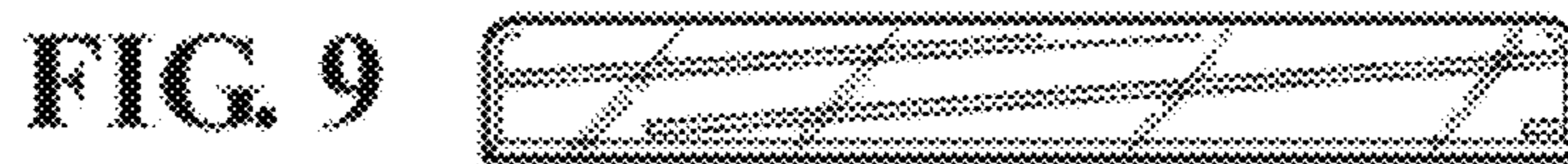
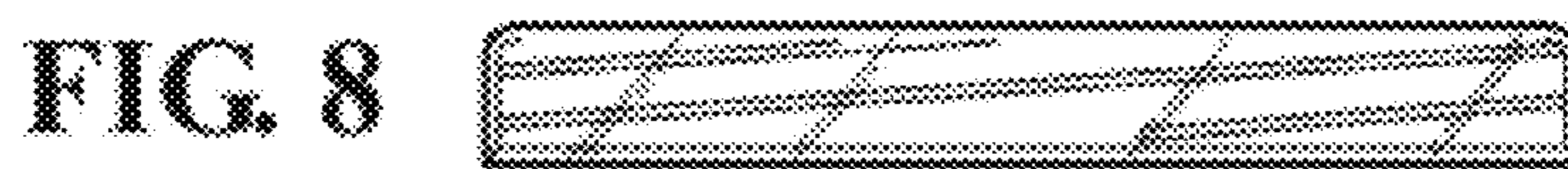
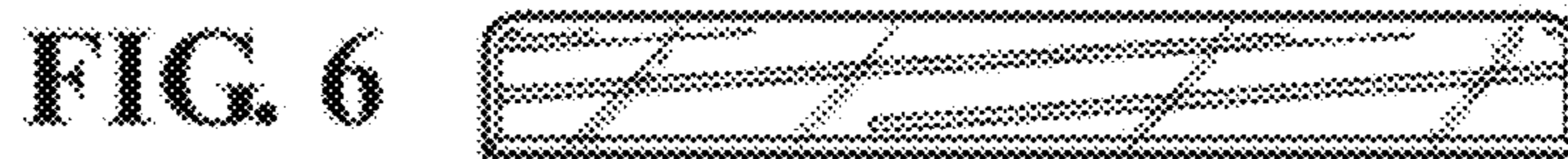


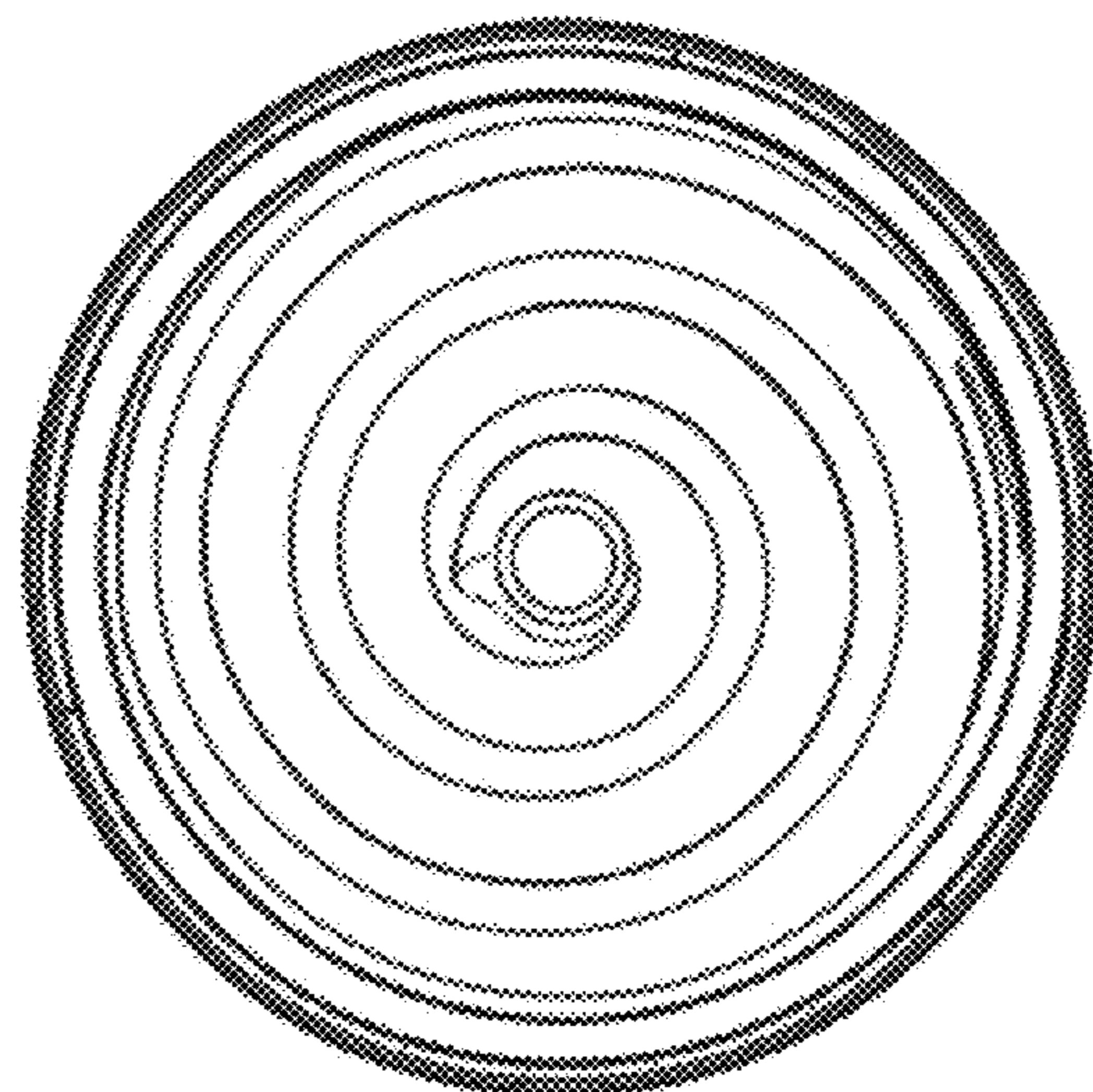
FIG. 4



**FIG. 5**



**FIG. 10**



**FIG. 11**