



US00D677522S

(12) **United States Design Patent**
Renner

(10) **Patent No.:** **US D677,522 S**
(45) **Date of Patent:** **** Mar. 12, 2013**

(54) **COVER**

(75) Inventor: **Reinhard Renner**, Esslingen (DE)

(73) Assignee: **Leifheit AG**, Nassau (DE)

(**) Term: **14 Years**

(21) Appl. No.: **29/420,384**

(22) Filed: **May 8, 2012**

(30) **Foreign Application Priority Data**

Nov. 9, 2011 (WO) DM/077094

(51) **LOC (9) Cl.** **07-02**

(52) **U.S. Cl.** **D7/391; D7/354**

(58) **Field of Classification Search** D7/323,
D7/329-332, 337-339, 346-347, 350.1-350.4,
D7/353-367, 391-395, 402-409, 538, 542-543,
D7/665; D30/128; 96/108; 99/324-325,
99/330-332, 337-343, 366-369, 400-418,
99/422, 425, 446, 483; 126/37 R, 41 R, 261,
126/378.1; 206/509; 210/470, 533, 776;
219/387, 400, 405, 429-442, 452.11, 620-624,
219/725, 729-735; 220/314-315, 573.1-573.5,
220/592.16, 912; 426/438, 441
See application file for complete search history.

(56) **References Cited**

U.S. PATENT DOCUMENTS

1,862,420 A * 6/1932 O'Brien 99/446
3,326,384 A * 6/1967 Wessels 210/470
4,486,640 A * 12/1984 Bowen et al. 219/729
D302,637 S * 8/1989 Hiscott et al. D7/391
5,076,434 A * 12/1991 Hoffman, Jr. 206/509

5,323,693 A * 6/1994 Collard et al. 99/425
5,458,054 A * 10/1995 Yu 99/446
6,035,766 A * 3/2000 Schirmer 99/403
D428,305 S * 7/2000 Berkes D7/409
7,185,766 B2 * 3/2007 Cooper 210/533
D611,662 S * 3/2010 Vosbikian D30/128
8,192,537 B2 * 6/2012 Alemao 96/108
2005/0230326 A1 * 10/2005 Cooper 210/776

* cited by examiner

Primary Examiner — Ricky Pham

(74) *Attorney, Agent, or Firm* — Edwards Wildman Palmer
LLP; Brian R. Landry; David I. Greenbaum

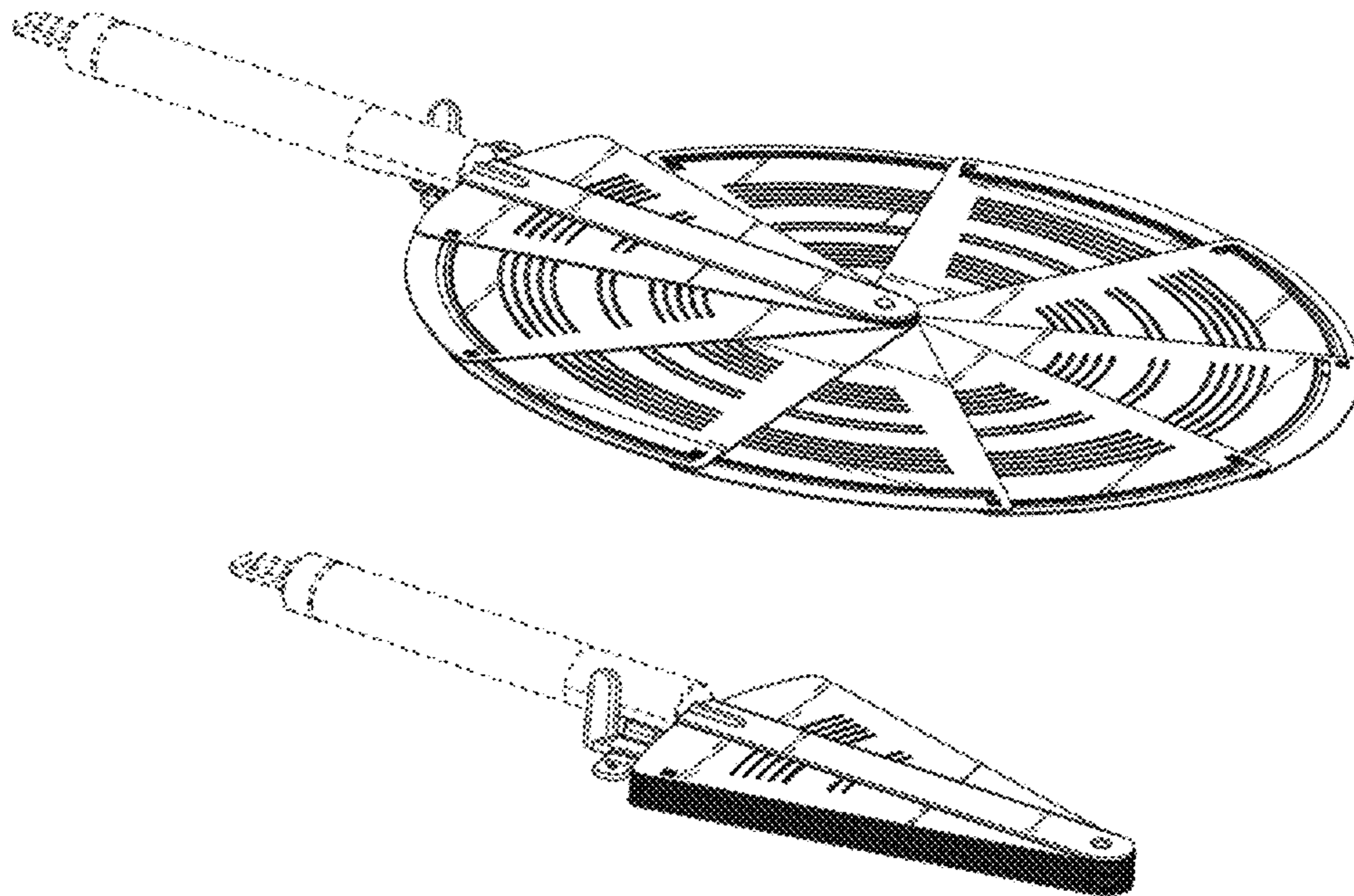
(57) **CLAIM**

The ornamental design for a cover, as shown and described.

DESCRIPTION

FIG. 1 is a perspective view of an embodiment of the cover in an open position;
FIG. 2 is a top view of the cover of FIG. 1;
FIG. 3 is a bottom view of the cover of FIG. 1;
FIG. 4 is a left side view of the cover of FIG. 1;
FIG. 5 is a right side view of the cover of FIG. 1;
FIG. 6 is a back view of the cover of FIG. 1;
FIG. 7 is a front view of the cover of FIG. 1;
FIG. 8 is perspective view of the cover in a closed position;
FIG. 9 is a top view of the cover of FIG. 8;
FIG. 10 is a bottom view of the cover of FIG. 8;
FIG. 11 is a left side view of the cover of FIG. 8;
FIG. 12 is a right side view of the cover of FIG. 8;
FIG. 13 is a back view of the cover of FIG. 8; and,
FIG. 14 is a front view of the cover of FIG. 8.
The broken lines showing the handle in FIGS. 1-14 are for illustrative purposes only and do not constitute part of the claimed design.

1 Claim, 10 Drawing Sheets



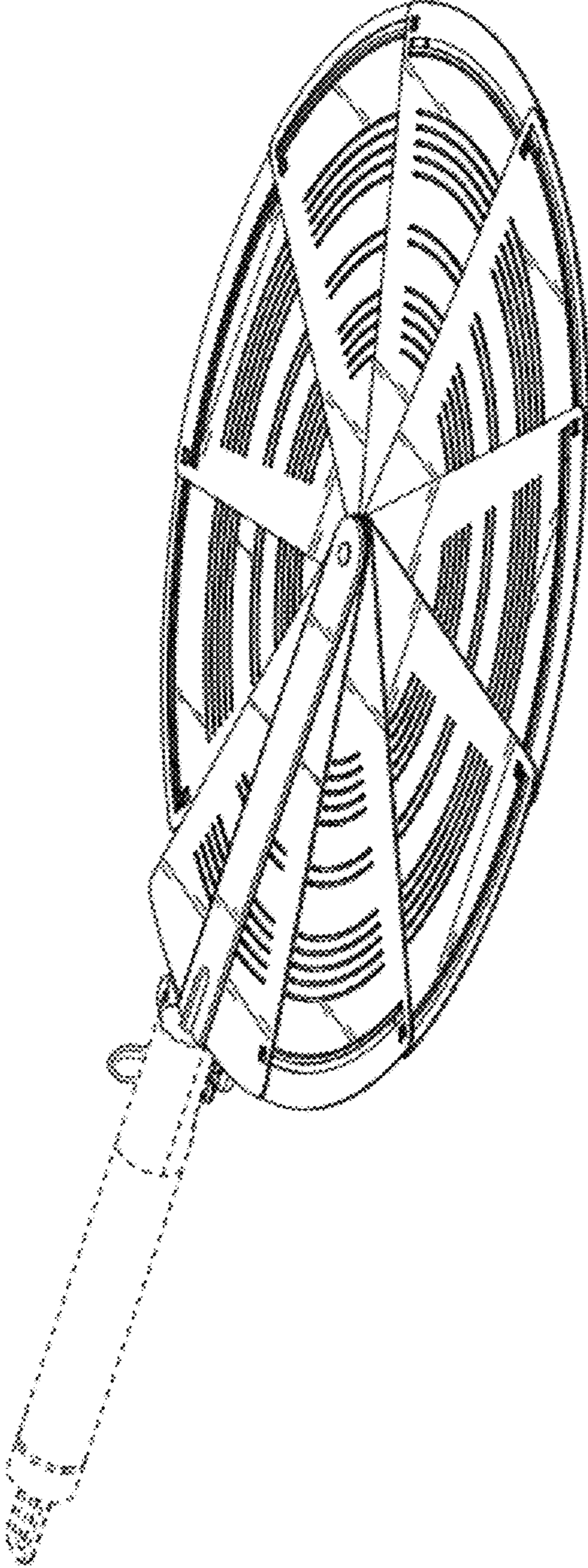


FIG. 1

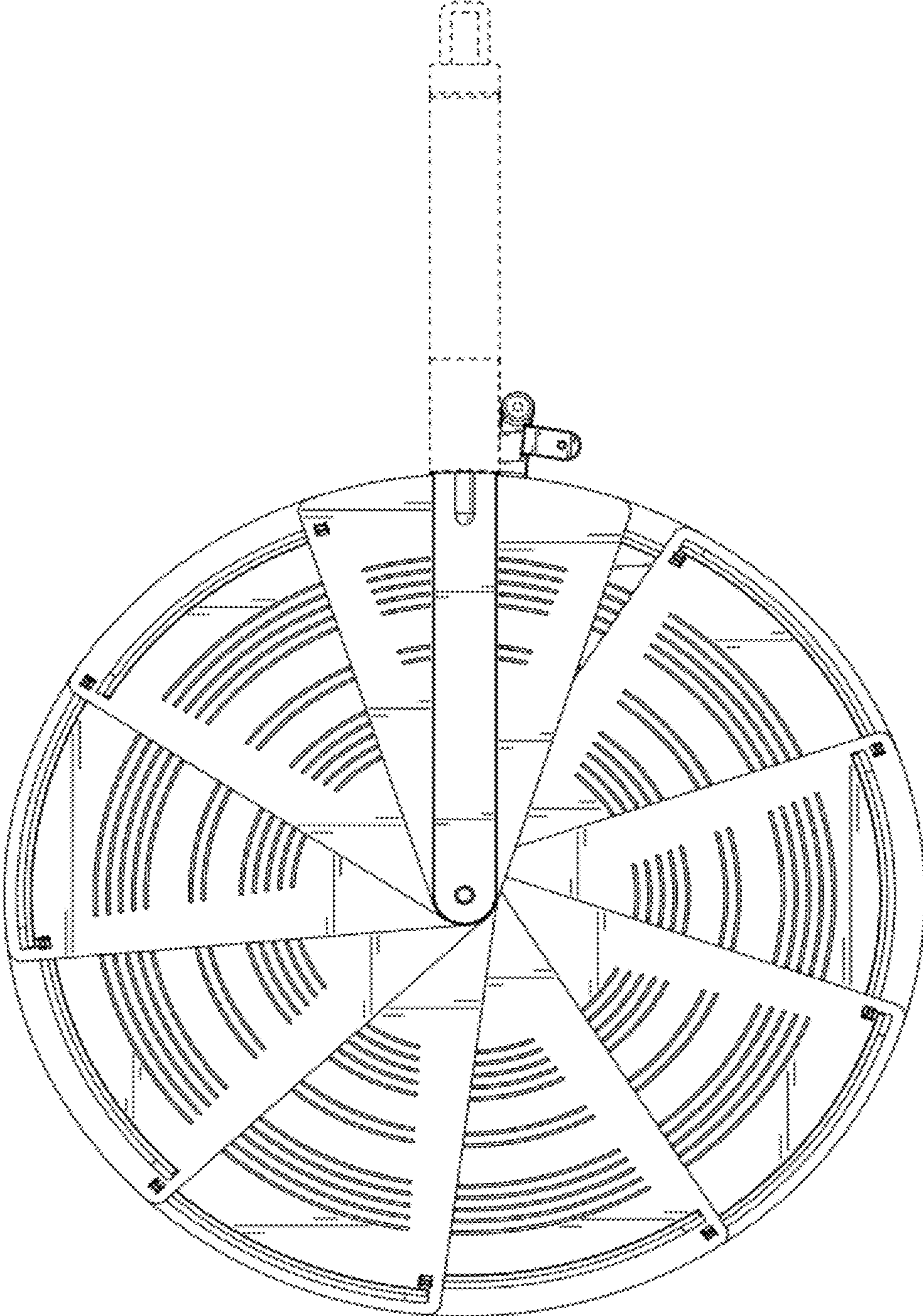


FIG. 2

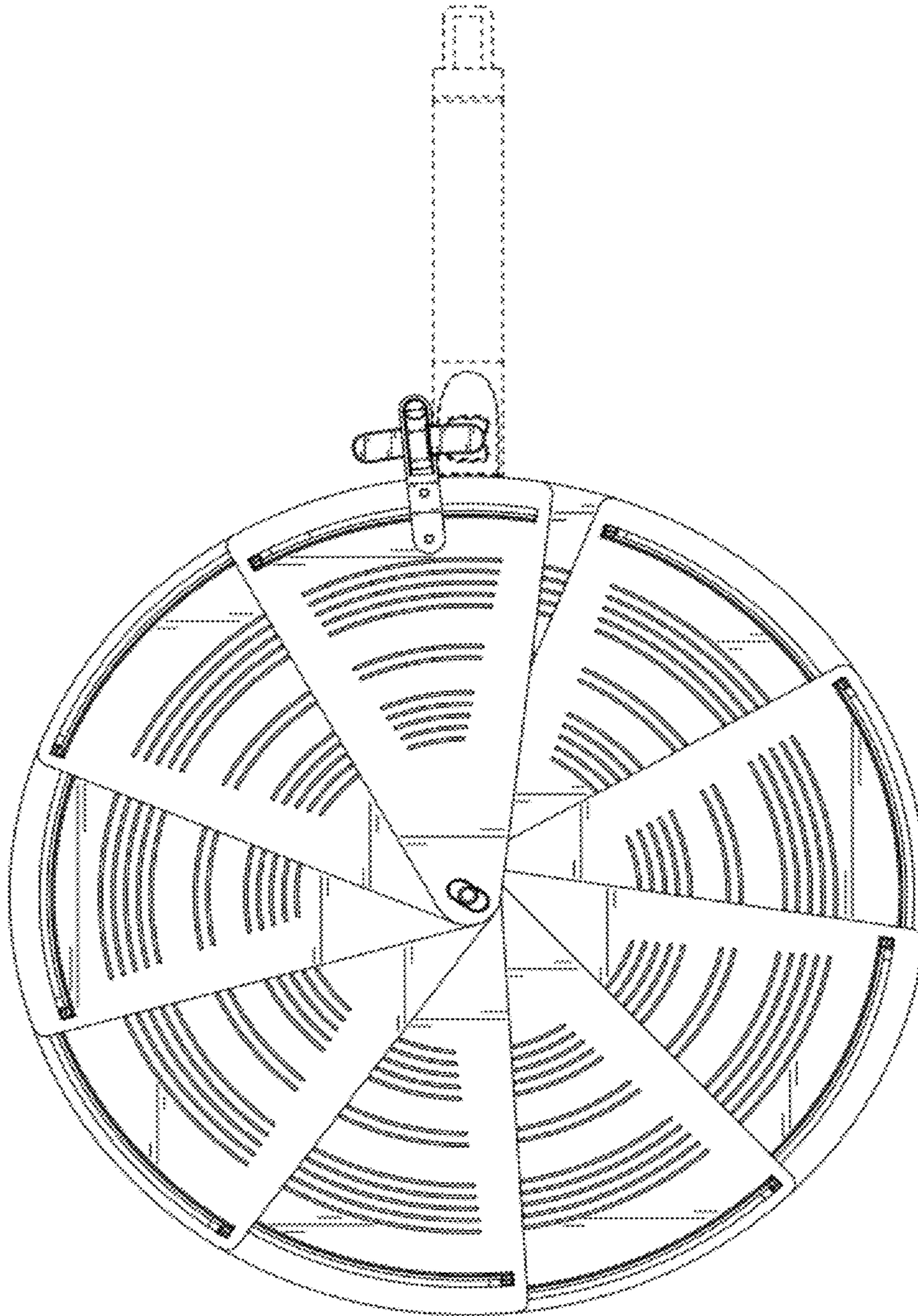


FIG. 3

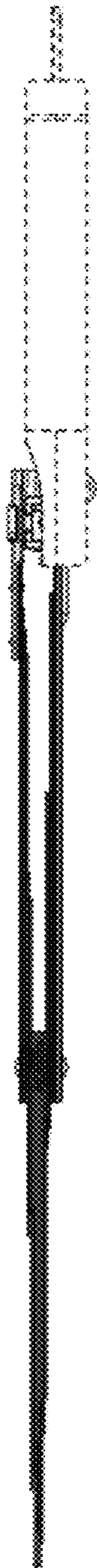


FIG. 4

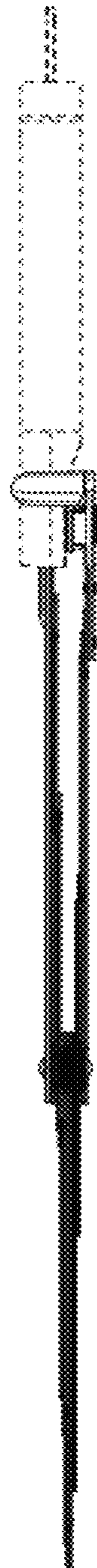


FIG. 5



FIG. 6



FIG. 7

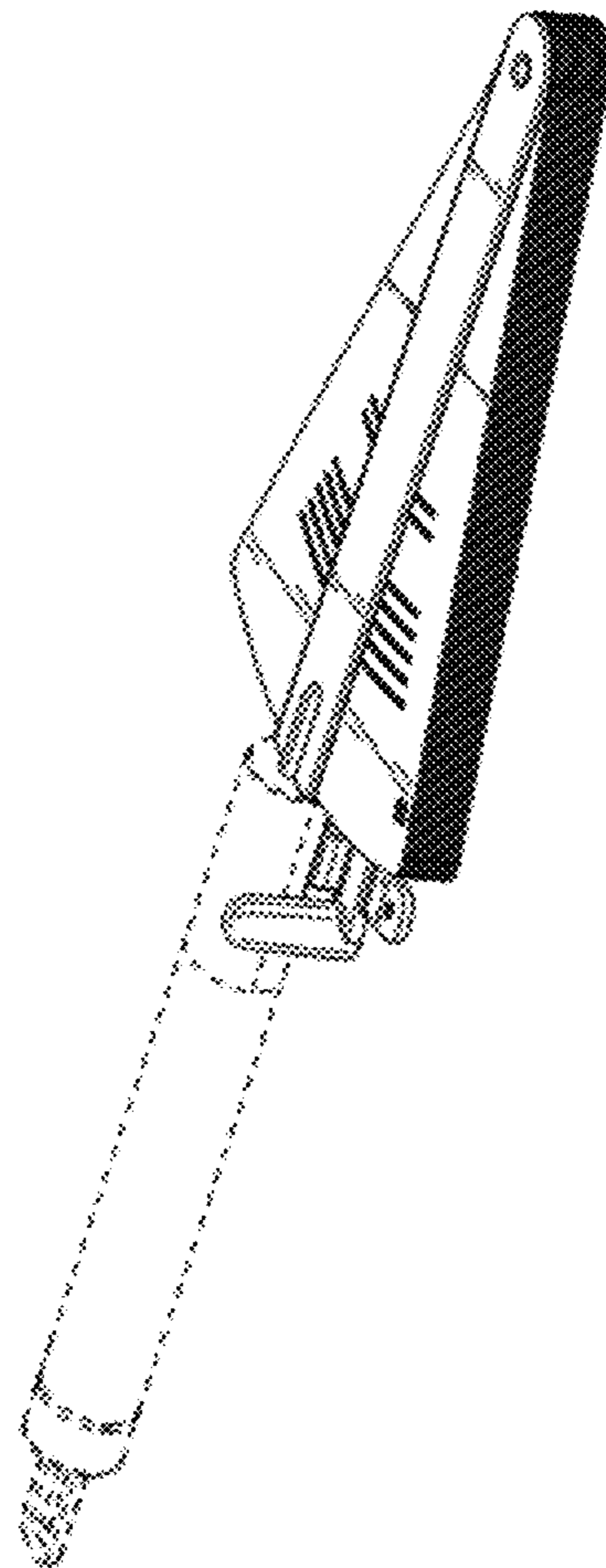


FIG. 8

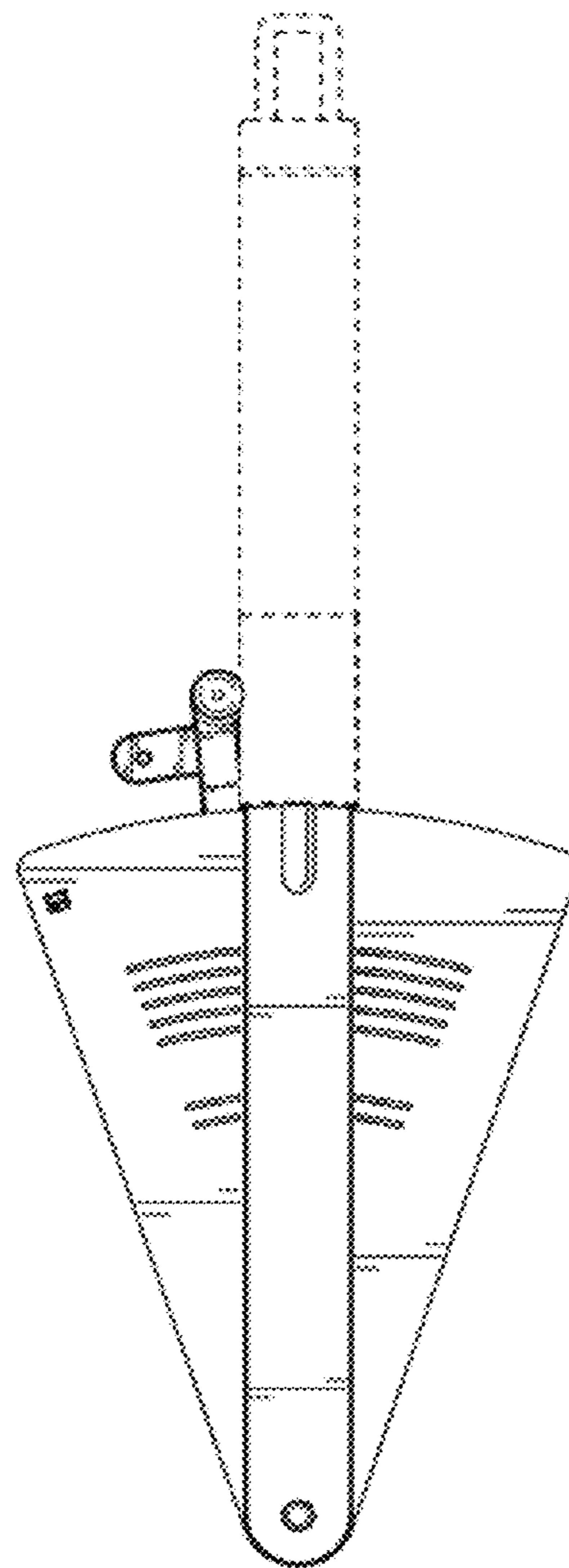


FIG. 9

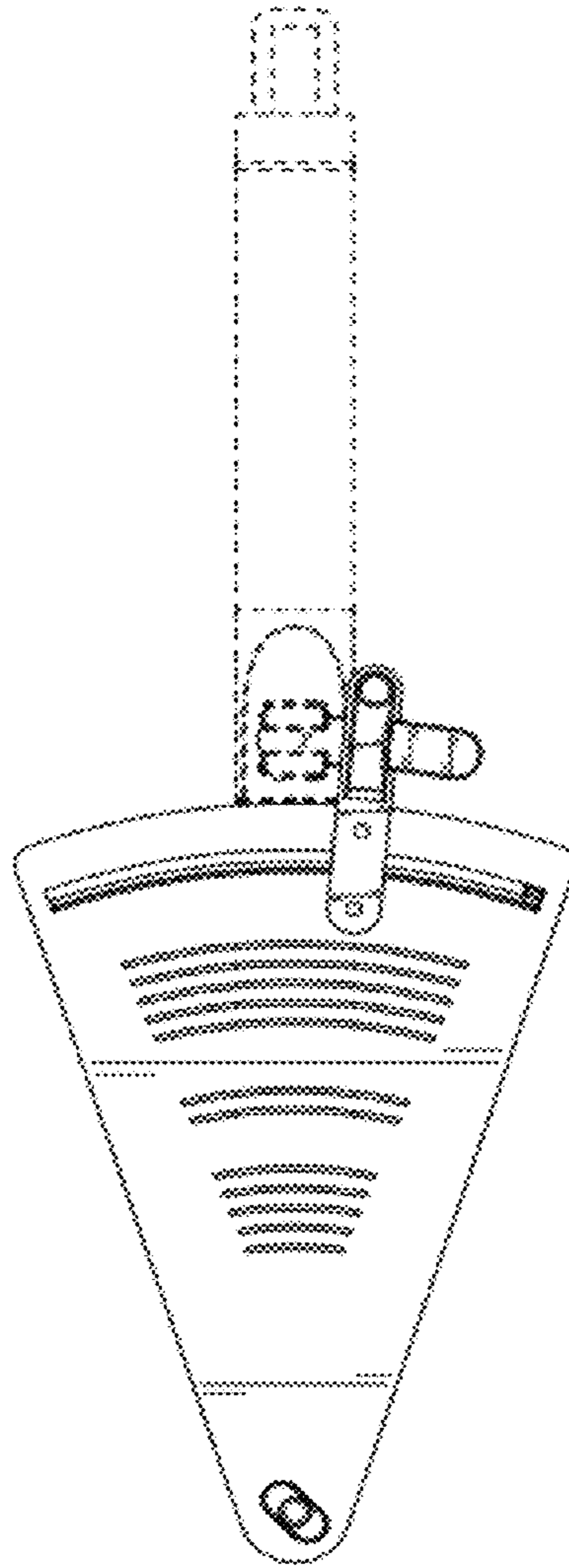


FIG. 10

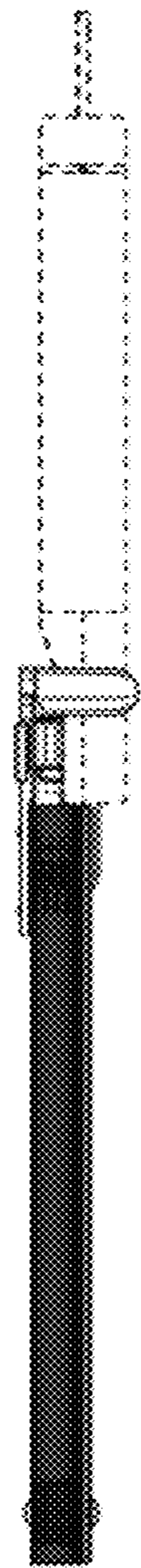


FIG. 11



FIG. 12



FIG. 13



FIG. 14