



US00D677520S

(12) **United States Design Patent**  
**Choi et al.**

(10) **Patent No.:** **US D677,520 S**  
(45) **Date of Patent:** **\*\* Mar. 12, 2013**

(54) **MIXER**

(75) Inventors: **June Mei Chee Choi**, Kowloon (HK);  
**Jun Wang**, Kowloon (HK)

(73) Assignee: **Zwilling J. A. Henckets AG** (DE)

(\*\*) Term: **14 Years**

(21) Appl. No.: **29/432,121**

(22) Filed: **Sep. 13, 2012**

(30) **Foreign Application Priority Data**

Apr. 4, 2012 (EM) ..... 002020339-0001  
Apr. 4, 2012 (EM) ..... 002020339-0002  
Apr. 4, 2012 (EM) ..... 002020339-0003

(51) **LOC (9) Cl.** ..... **31-00**

(52) **U.S. Cl.** ..... **D7/379; D7/376; D7/384**

(58) **Field of Classification Search** ..... D7/301-313,  
D7/316-319, 356-357, 368, 372-386, 391-398,  
D7/412-415, 503, 515, 665, 679, 691-693;  
99/326, 348, 492, 508-512; 241/30-37.5,  
241/101.01-101.2, 166-169.1, 172, 272,  
241/285.1-285.3, 291, 292.1; 366/64-67,  
366/98, 129, 142-144, 192-211, 241-254,  
366/262, 279-292, 325.8, 325.92, 341-347;  
416/75-77, 70 R, 163

See application file for complete search history.

(56) **References Cited**

**U.S. PATENT DOCUMENTS**

4,070,711 A \* 1/1978 Smader ..... 366/98  
D286,258 S \* 10/1986 Grange ..... D7/379  
D319,555 S \* 9/1991 Thomas ..... D7/379  
D322,010 S \* 12/1991 Doggett ..... D7/379  
D394,781 S \* 6/1998 Doggett ..... D7/379  
D400,759 S \* 11/1998 Doggett ..... D7/379

D436,497 S \* 1/2001 Nalbandian ..... D7/379  
D454,023 S \* 3/2002 Wang ..... D7/309  
6,435,708 B1 \* 8/2002 Huang ..... 366/347  
D468,581 S \* 1/2003 Short ..... D7/379  
D489,569 S \* 5/2004 Smith et al. .... D7/379  
D489,936 S \* 5/2004 Smith et al. .... D7/379  
D499,604 S \* 12/2004 Hooper et al. .... D7/379  
D502,841 S \* 3/2005 Santer ..... D7/379  
6,953,278 B2 \* 10/2005 Short et al. .... 366/206  
D530,146 S \* 10/2006 Ball et al. .... D7/379  
7,175,338 B2 \* 2/2007 Hooper et al. .... 366/197  
D540,113 S \* 4/2007 Short et al. .... D7/376  
D550,497 S \* 9/2007 Argabrite et al. .... D7/307  
D584,916 S \* 1/2009 Christou ..... D7/376  
D612,195 S \* 3/2010 Liu ..... D7/379  
D613,549 S \* 4/2010 Picozza et al. .... D7/379  
D616,699 S \* 6/2010 Hoare et al. .... D7/379  
D631,691 S \* 2/2011 Liu ..... D7/379  
D654,304 S \* 2/2012 Bodum ..... D7/379  
2006/0198240 A1 \* 9/2006 Short et al. .... 366/197

\* cited by examiner

*Primary Examiner* — Ricky Pham

(74) *Attorney, Agent, or Firm* — Mayback & Hoffman, P.A.;  
Gregory L. Mayback

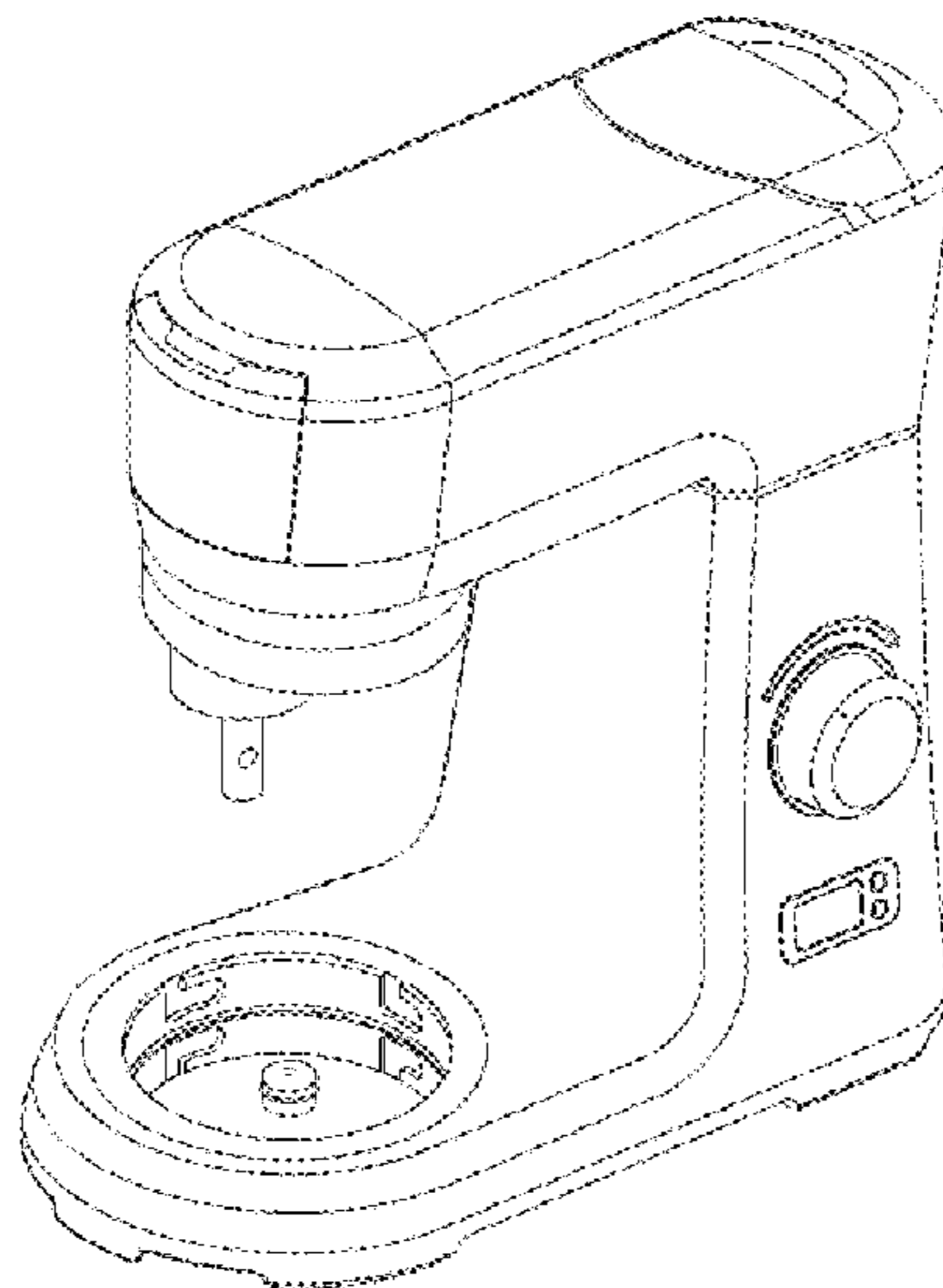
(57) **CLAIM**

The ornamental design for a mixer, as shown and described.

**DESCRIPTION**

FIG. 1 is a front perspective view of a mixer according to an exemplary embodiment from above a left side thereof; FIG. 2 is a rear perspective view of the mixer of FIG. 1 from above the left side thereof; FIG. 3 is a left side elevational view of the mixer of FIG. 1; FIG. 4 is a right side elevational view of the mixer of FIG. 1; FIG. 5 is a front side elevational view of the mixer of FIG. 1; FIG. 6 is a rear side elevational view of the mixer of FIG. 1; FIG. 7 is a top plan view of the mixer of FIG. 1; and, FIG. 8 is a bottom plan view of the mixer of FIG. 1.

**1 Claim, 6 Drawing Sheets**



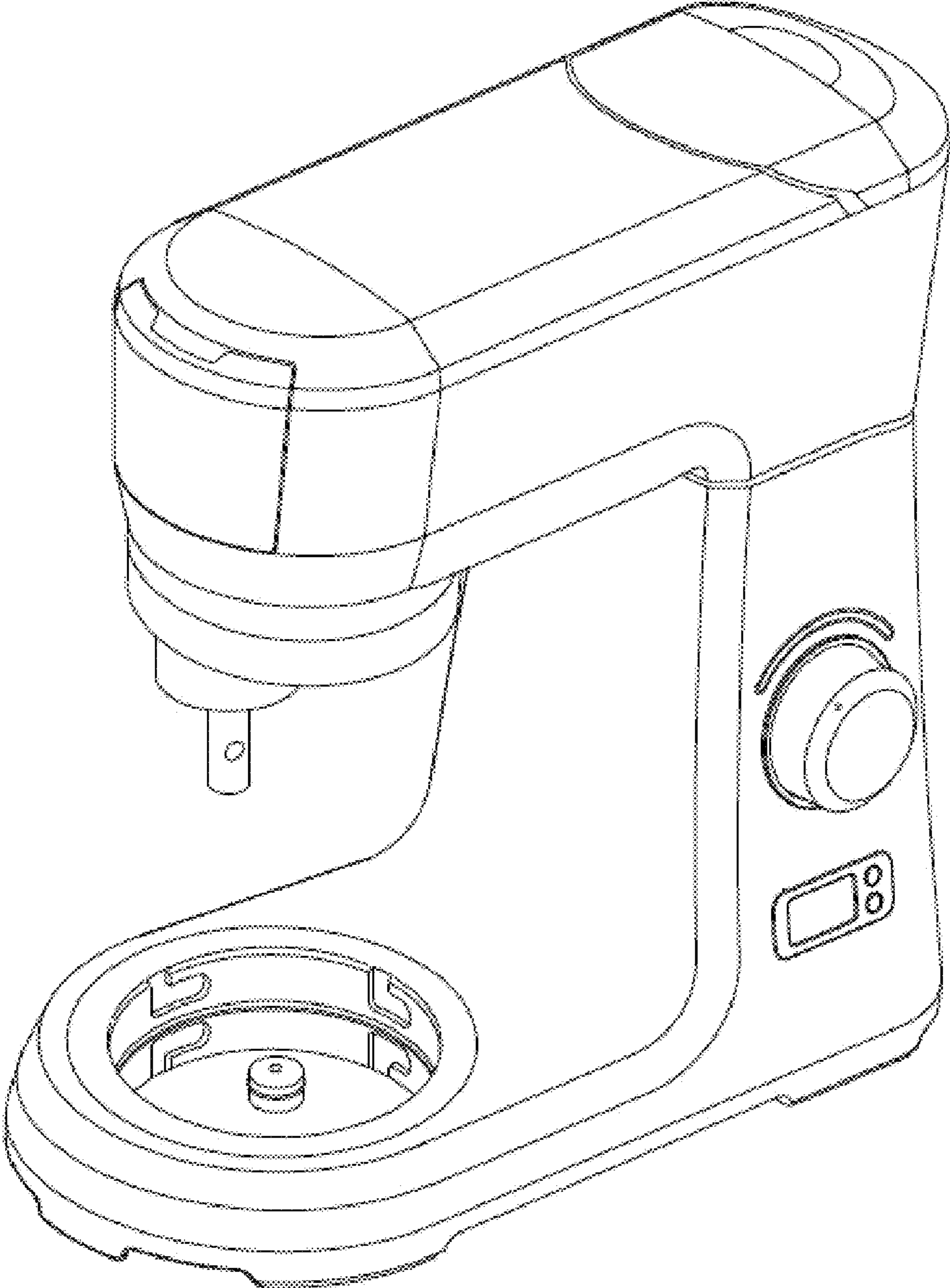


FIG. 1

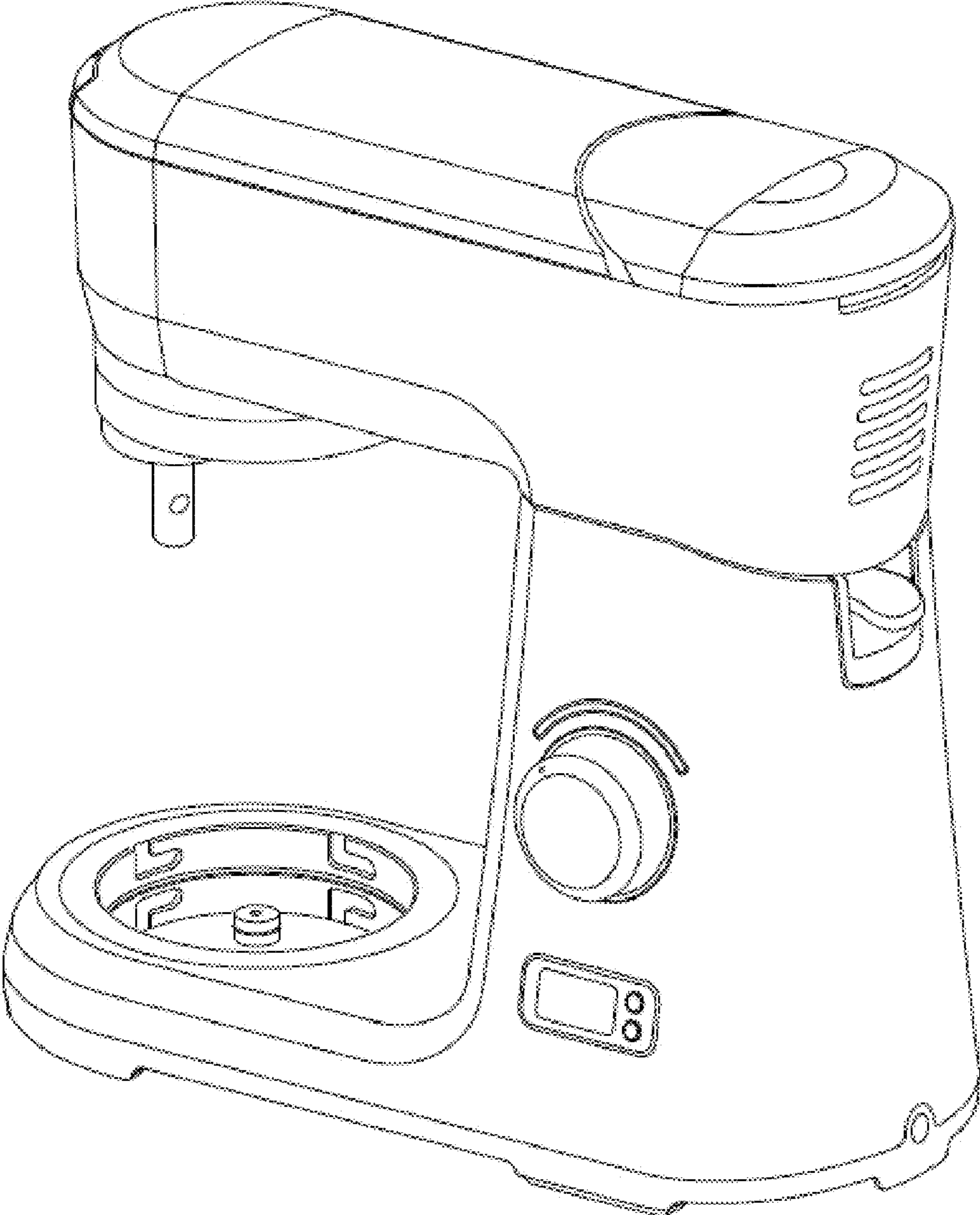


FIG. 2

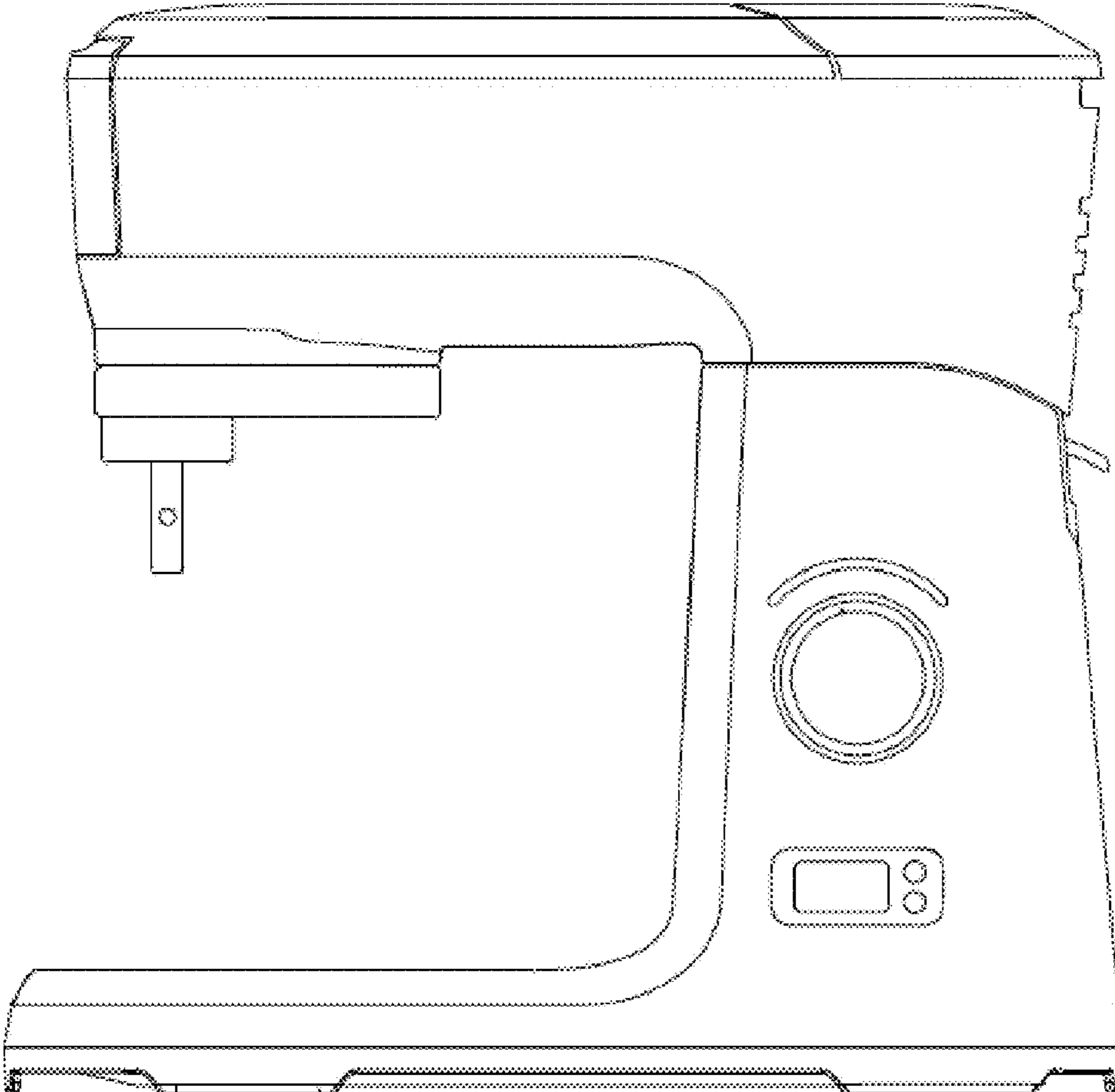


FIG. 3

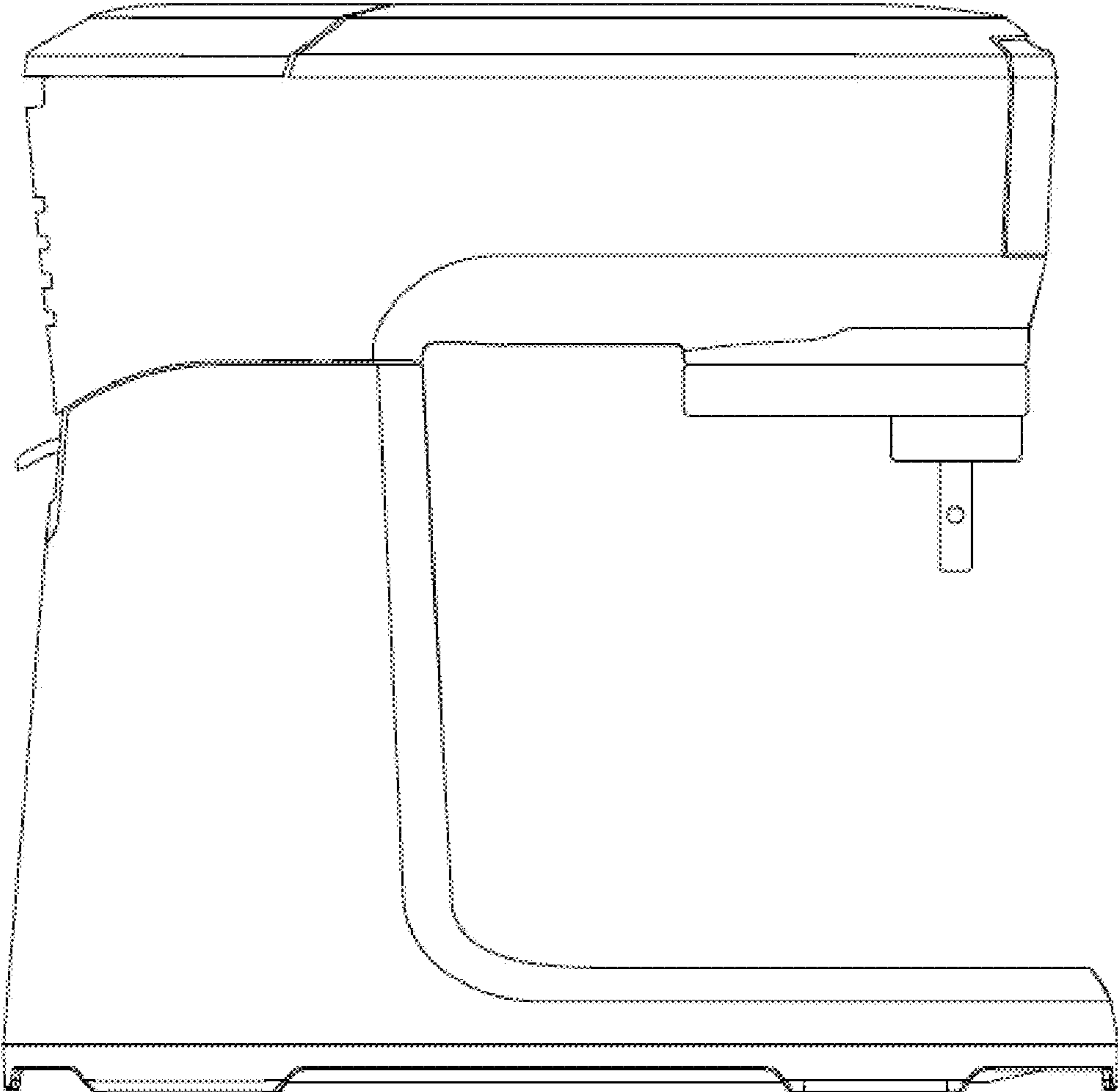


FIG. 4

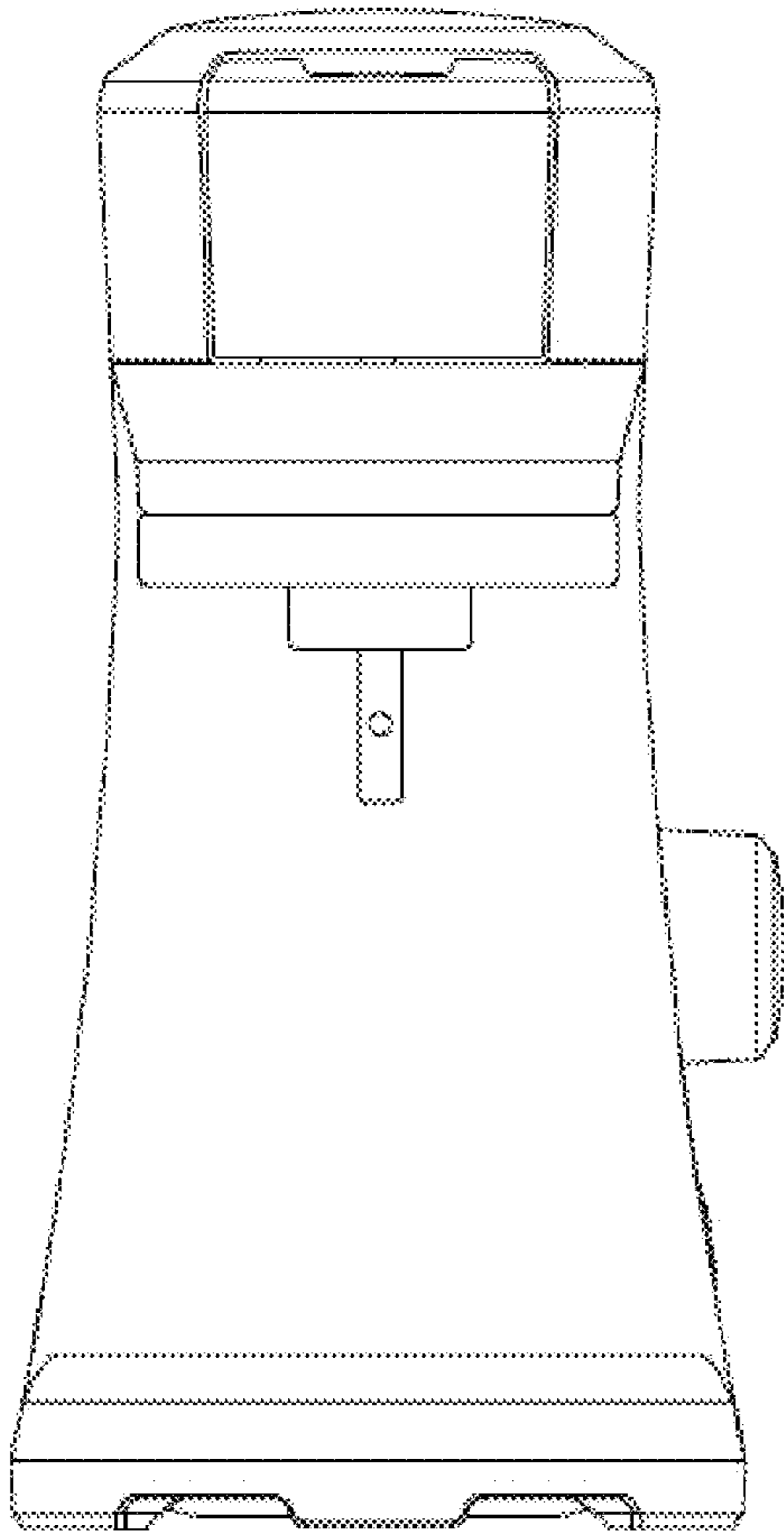


FIG. 5

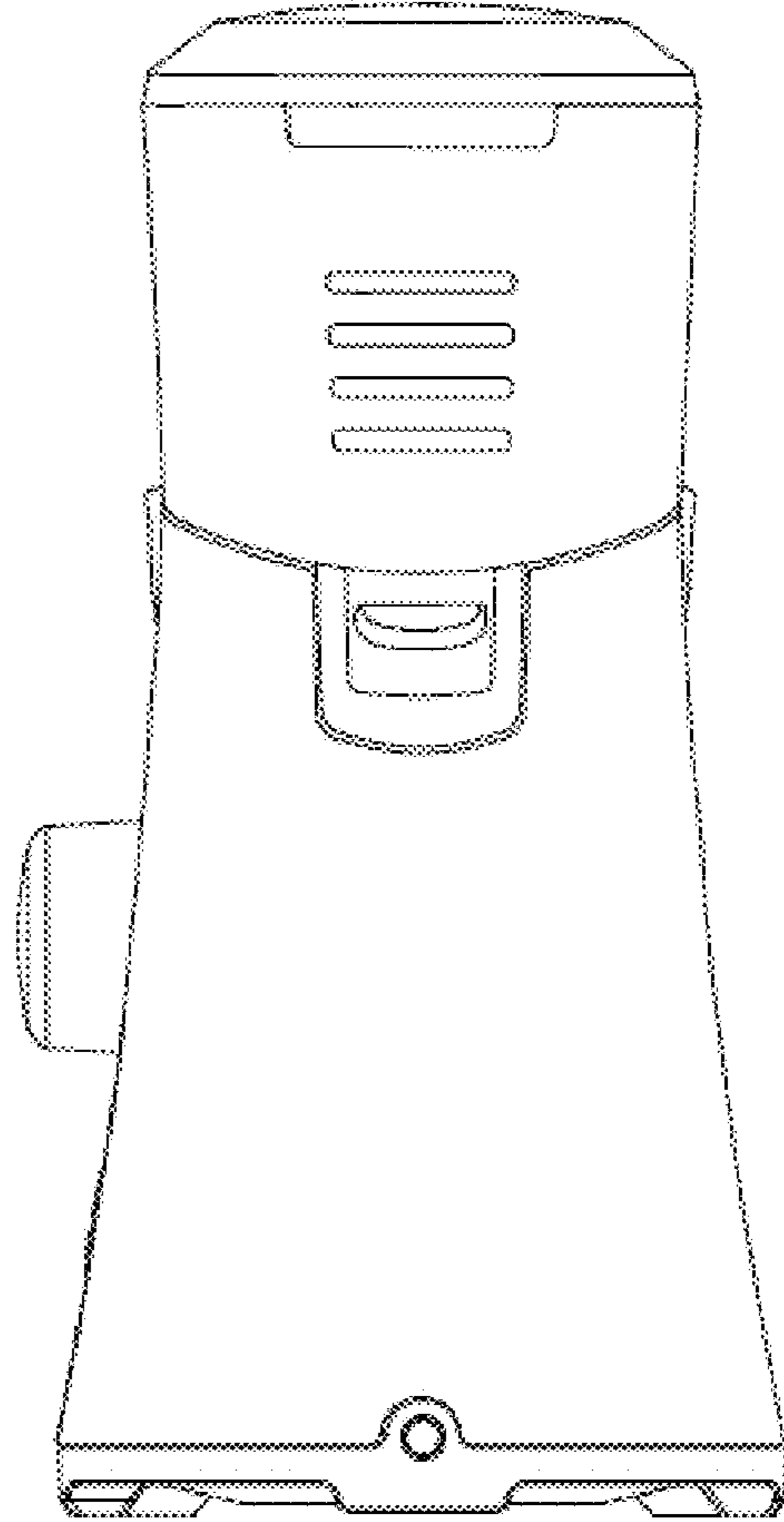


FIG. 6

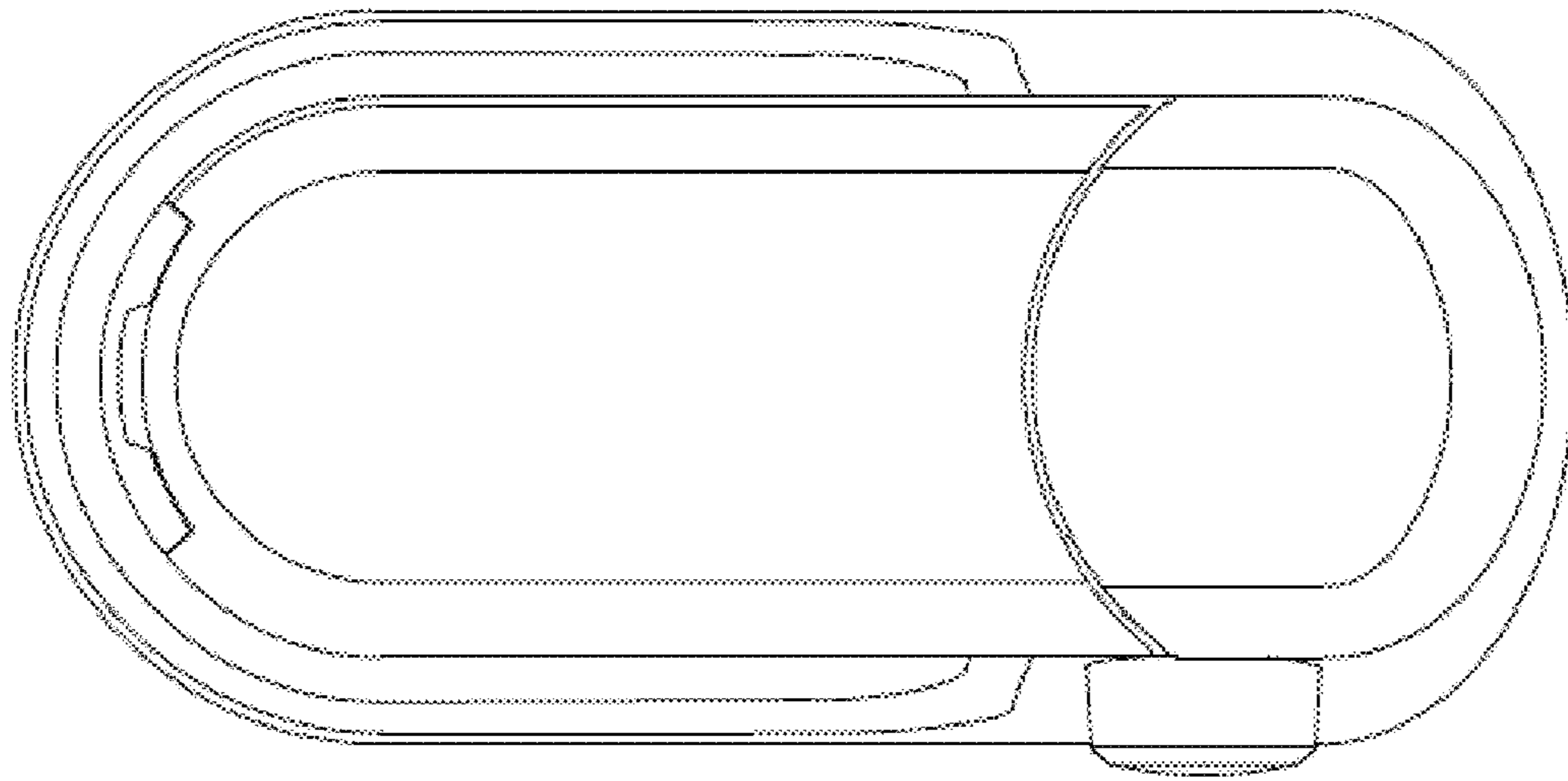


FIG. 7

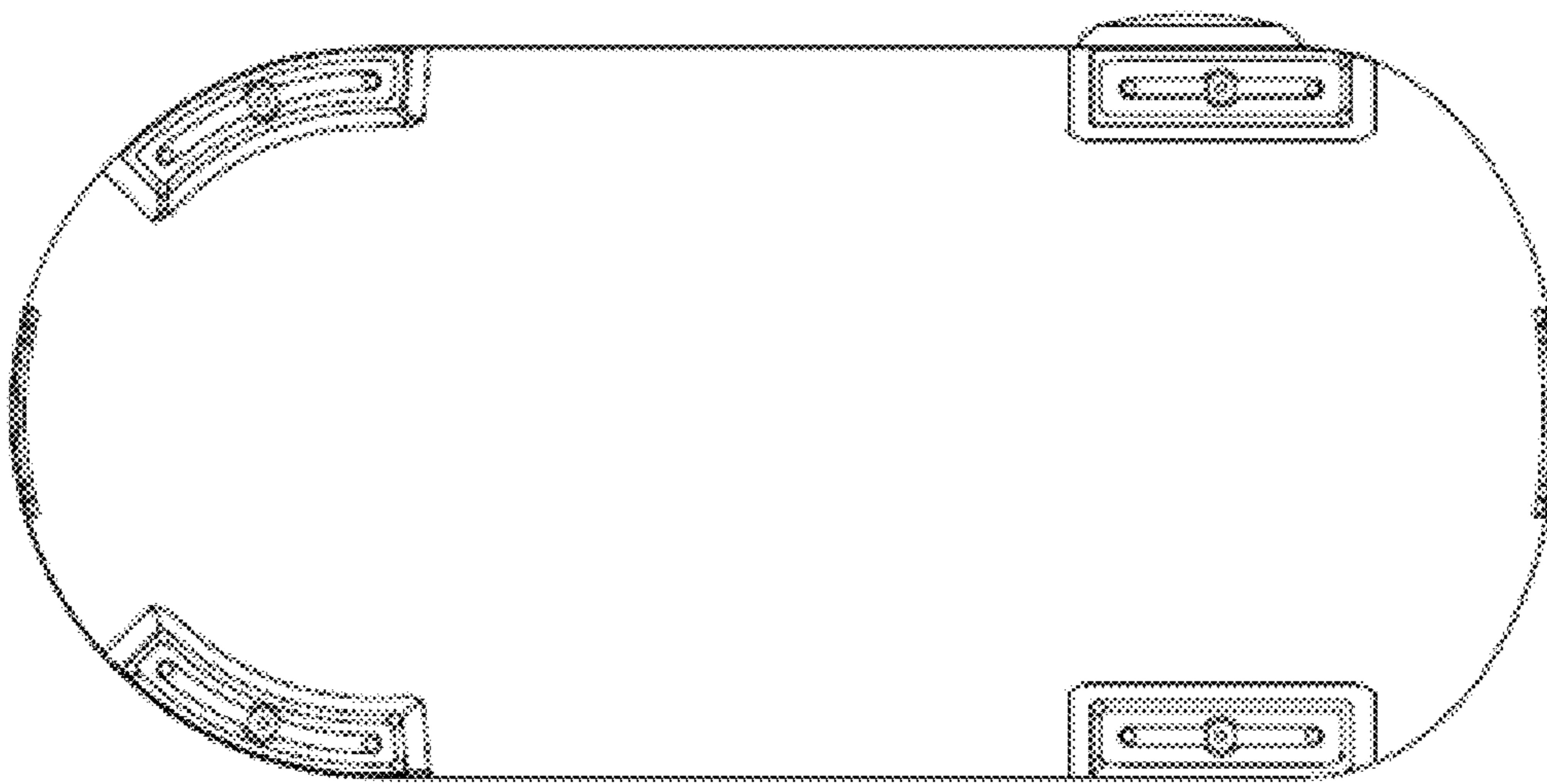


FIG. 8