



US00D677519S

(12) **United States Design Patent**
Montgomery

(10) **Patent No.:** **US D677,519 S**
(45) **Date of Patent:** **** Mar. 12, 2013**

(54) **BOWL WITH UTENSIL RETENTION FEATURE**

(75) Inventor: **Seana L. Montgomery**, McKinney, TX (US)

(73) Assignee: **Seana L. Montgomery**, McKinney, TX (US)

(**) Term: **14 Years**

(21) Appl. No.: **29/428,244**

(22) Filed: **Jul. 27, 2012**

Related U.S. Application Data

(62) Division of application No. 29/369,663, filed on Sep. 10, 2010, now Pat. No. Des. 666,458.

(51) **LOC (9) Cl.** **07-02**

(52) **U.S. Cl.** **D7/361**

(58) **Field of Classification Search** 220/574.3, 220/576, 755, 769, 912, 573.1, 574; D7/586, D7/500, 361, 354, 323, 402, 412, 543, 545, D7/587, 303, 360, 691; 99/422, 425, 445; 219/620, 621, 725, 726, 727, 728, 729, 730; D10/46.2; 228/174; D28/38

See application file for complete search history.

(56) **References Cited**

U.S. PATENT DOCUMENTS

D25,316 S * 3/1896 Dobson D28/38
(Continued)

OTHER PUBLICATIONS

U.S. Appl. No. 13/490,364, filed Jun. 6, 2012, entitled "Bowl with Utensil Holder", inventor Seana L. Montgomery.

Primary Examiner — Cynthia Underwood

(74) *Attorney, Agent, or Firm* — Patent Capital Group

(57) **CLAIM**

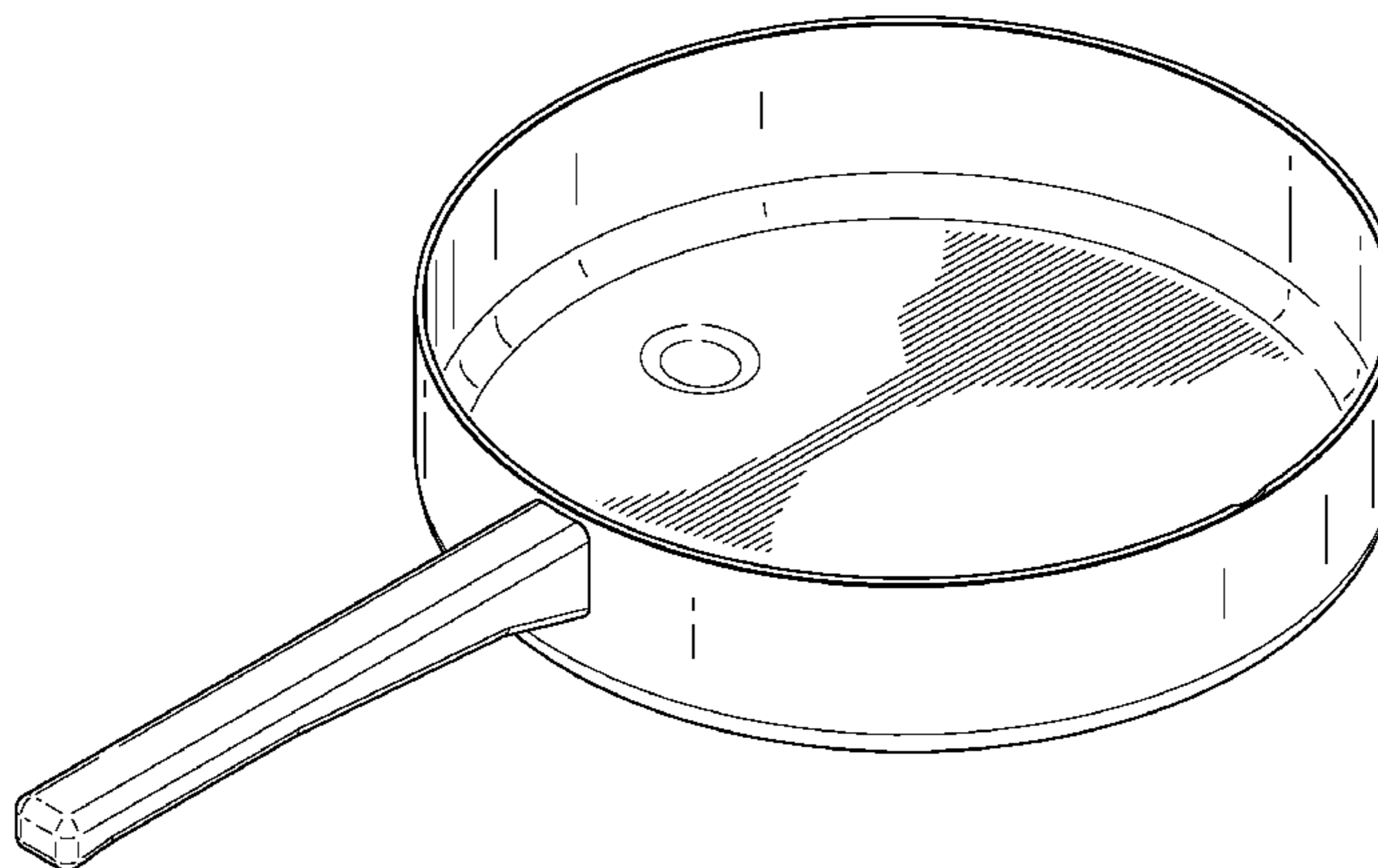
The ornamental design for a bowl with a utensil retention feature, as shown and described.

DESCRIPTION

This Design Application is also related to co-pending U.S. Design patent application Ser. No. 29/428,184, filed on Jul.

27, 2012, entitled Bowl With Utensil Retention Feature; U.S. Design patent application Ser. No. 29/428,185 filed on Jul. 27, 2012, entitled Bowl With Utensil Retention Feature; U.S. Design patent application Ser. No. 29/428,187 filed on Jul. 27, 2012, entitled Bowl With Utensil Retention Feature; U.S. Design patent application Ser. No. 29/428,188, filed on Jul. 27, 2012, entitled Bowl With Utensil Retention Feature; U.S. Design patent application Ser. No. 29/428,189 filed on Jul. 27, 2012, entitled Bowl With Utensil Retention Feature; U.S. Design patent application Ser. No. 29/428,215 filed on Jul. 27, 2012, entitled Bowl With Utensil Retention Feature; U.S. Design patent application Ser. No. 29/428,221 filed on Jul. 27, 2012, entitled Bowl With Utensil Retention Feature; U.S. Design patent application Ser. No. 29/428,222 filed on Jul. 27, 2012, entitled Bowl With Utensil Retention Feature; U.S. Design patent application Ser. No. 29/428,225 filed on Jul. 27, 2012, entitled Bowl With Utensil Retention Feature; U.S. Design patent application Ser. No. 29/428,232 filed on Jul. 27, 2012, entitled Bowl With Utensil Retention Feature; U.S. Design patent application Ser. No. 29/428,240 filed on Jul. 27, 2012, entitled Bowl With Utensil Retention Feature; U.S. Design patent application Ser. No. 29/428,248 filed on Jul. 27, 2012, entitled Bowl With Utensil Retention Feature; U.S. Design patent application Ser. No. 29/428,253 filed on Jul. 27, 2012, entitled Bowl With Utensil Retention Feature; U.S. Design patent application Ser. No. 29/428,256 filed on Jul. 27, 2012, entitled Bowl With Utensil Retention Feature; U.S. Design patent application Ser. No. 29/428,261 filed on Jul. 27, 2012, entitled Bowl With Utensil Retention Feature; U.S. Design patent application Ser. No. 29/428,270 filed on Jul. 27, 2012, entitled Bowl With Utensil Retention Feature; U.S. Design patent application Ser. No. 29/428,276 filed on Jul. 27, 2012, entitled Bowl With Utensil Retention Feature; U.S. Design patent application Ser. No. 29/428,279, filed on Jul. 27, 2012, entitled Bowl With Utensil Retention Feature. FIG. 1 is a top perspective view of a bowl with utensil retention feature; FIG. 2 is a front view of FIG. 1; FIG. 3 is a back view of FIG. 1; FIG. 4 is a side view of FIG. 1; FIG. 5 is another side view of FIG. 1; FIG. 6 is a top view of FIG. 1; and, FIG. 7 is a bottom view of the design of FIG. 1.

1 Claim, 5 Drawing Sheets



US D677,519 S

Page 2

U.S. PATENT DOCUMENTS

785,116	A *	3/1905	Perry	277/649	D546,117	S *	7/2007	Orr	D7/357
1,505,675	A *	8/1924	Stirn	99/339	D560,434	S	1/2008	Feil	
D109,508	S	5/1938	Wood		D562,060	S *	2/2008	Kloppsteck	D7/361
D113,856	S	3/1939	Smith		D564,302	S	3/2008	Freeman	
D167,942	S *	10/1952	Jones	D6/613	D579,715	S *	11/2008	Pawson et al.	D7/361
2,655,016	A	10/1953	Hudson		D586,177	S *	2/2009	Loring	D7/361
3,033,945	A *	5/1962	Villchur	381/413	D593,807	S	6/2009	Kong	
D245,384	S *	8/1977	Ashton	D7/624.1	D600,497	S *	9/2009	Ek	D7/361
D270,887	S	10/1983	Allgeyer et al.		D603,211	S *	11/2009	Ek	D7/354
D275,925	S *	10/1984	Bowen et al.	D7/357	D617,609	S *	6/2010	Thomas	D7/601
D286,399	S *	10/1986	Willy	D14/222	D617,610	S *	6/2010	Thomas	D7/601
4,834,328	A *	5/1989	Hall	248/37.3	D618,494	S *	6/2010	Welk et al.	D7/361
4,921,447	A *	5/1990	Capp et al.	439/585	D618,495	S *	6/2010	Welk et al.	D7/361
4,940,199	A *	7/1990	Hall	248/37.3	D627,198	S	11/2010	Hull et al.	
5,388,732	A *	2/1995	Greger	222/572	D630,891	S	1/2011	Thonis	
D391,118	S	2/1998	Jørgensen		D639,115	S	6/2011	Stewart et al.	
D405,656	S *	2/1999	Davis et al.	D7/637	D650,005	S *	12/2011	Perks	D17/99
D443,181	S	6/2001	Miller		D650,006	S *	12/2011	Perks	D17/99
6,331,123	B1 *	12/2001	Rodrigues	439/584	D656,792	S	4/2012	Sink et al.	
6,604,714	B1 *	8/2003	Hall	248/37.3	8,167,129	B2 *	5/2012	Hatcher	206/565
D482,575	S	11/2003	Mountain		8,172,612	B2 *	5/2012	Bence et al.	439/578
D492,538	S *	7/2004	Cheng	D7/357	8,192,237	B2 *	6/2012	Purdy et al.	439/792
D509,403	S *	9/2005	Raydo	D7/361	2009/0241347	A1	10/2009	Weaver	
D509,994	S	9/2005	Hadland		2009/0321455	A1 *	12/2009	Fernandez et al.	220/574
6,990,893	B2 *	1/2006	Cheng	99/422					

* cited by examiner

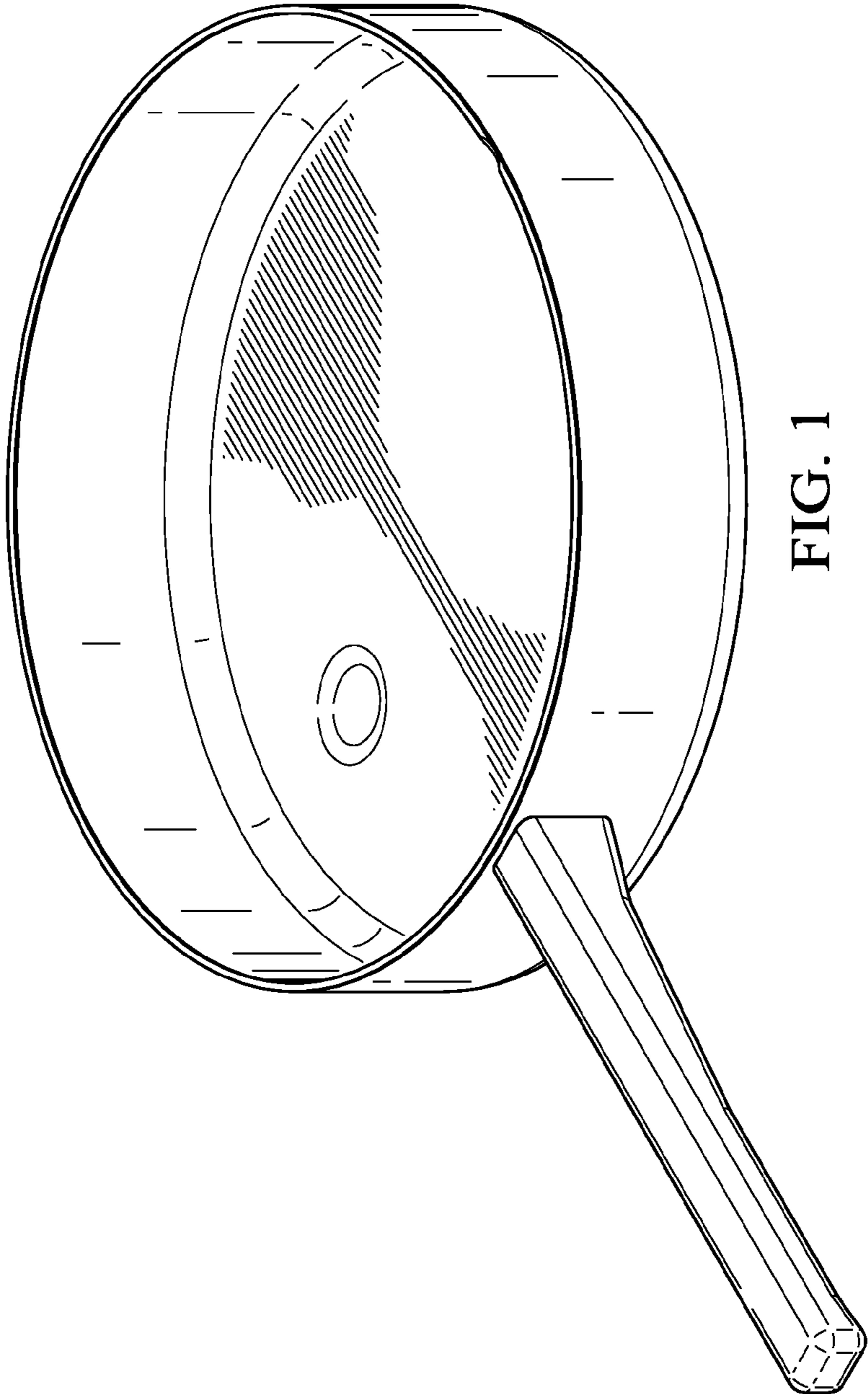


FIG. 1

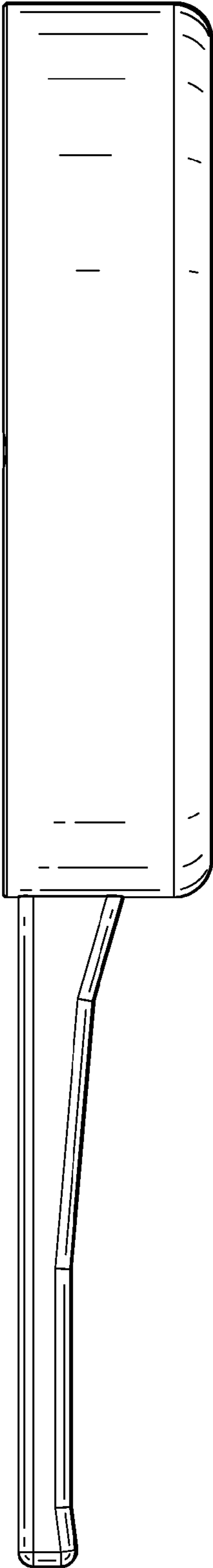


FIG. 2

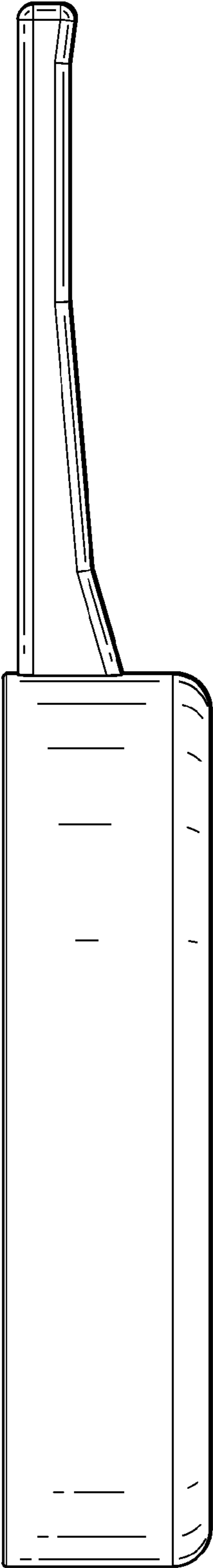


FIG. 3

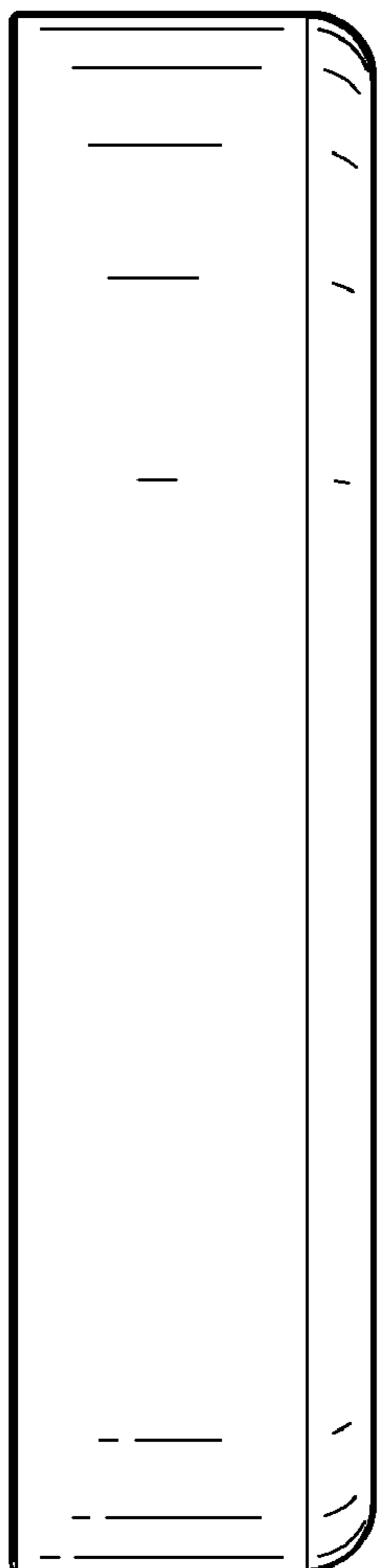


FIG. 4

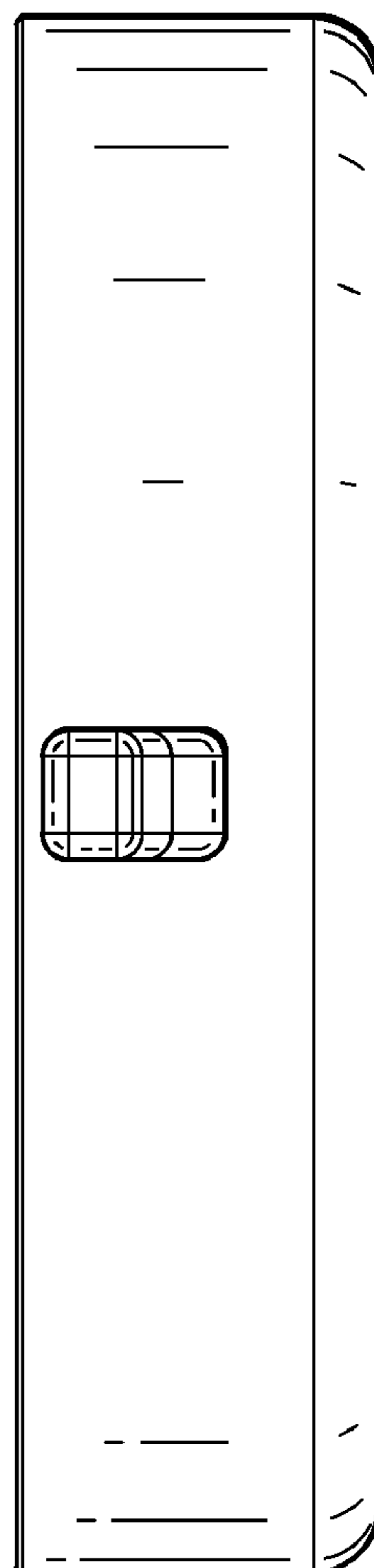


FIG. 5

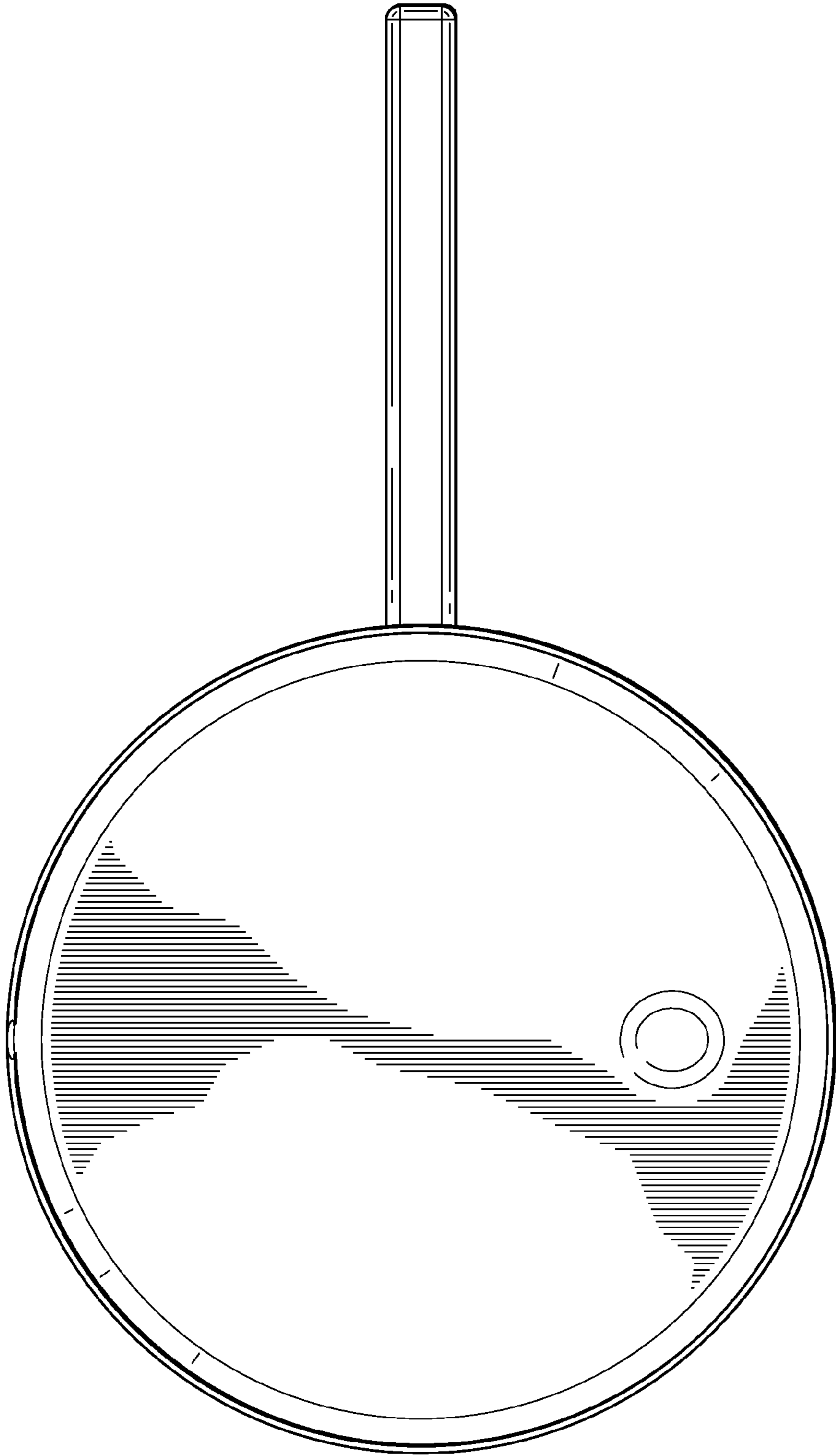


FIG. 6

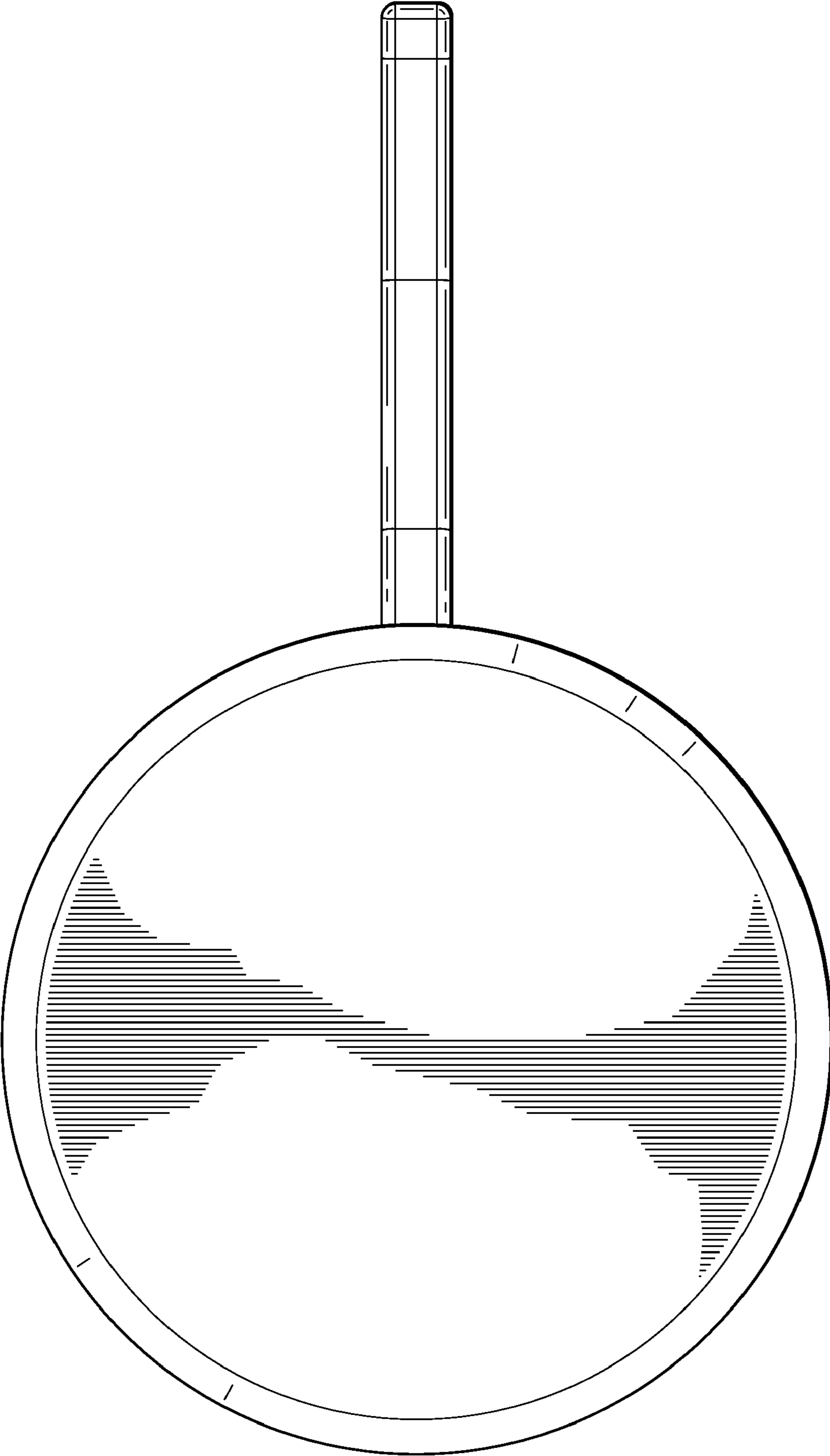


FIG. 7