



US00D677518S

(12) **United States Design Patent**  
**Dichraff et al.**

(10) **Patent No.:** **US D677,518 S**  
(45) **Date of Patent:** **\*\* Mar. 12, 2013**

(54) **PAN**  
(75) Inventors: **Aric Dichraff**, Madison, WI (US); **Craig Stevenson**, Saukville, WI (US); **Erik Johnson**, Middleton, WI (US); **Morad Ghassemian**, Oak Park, IL (US); **William Cesaroni**, Glenview, IL (US); **Jared Fritts**, Forest Park, IL (US); **Christian Baumgarten**, Neunkirchen (DE)

3,157,909 A 11/1964 Schmitt  
3,306,647 A 2/1967 Imhoff  
3,422,485 A 1/1969 Pryce  
3,431,006 A 3/1969 Makita  
3,736,917 A 6/1973 Stepanek  
3,799,048 A 3/1974 Finley  
3,823,307 A 7/1974 Weiss  
3,858,750 A 1/1975 Grall  
3,934,748 A 1/1976 Racz

(Continued)

**FOREIGN PATENT DOCUMENTS**

(73) Assignee: **Hy Cite Enterprises LLC**, Madison, WI (US)

DE 2501404 A1 7/1976  
EP 0714624 B1 1/1997

(Continued)

(\*\*) Term: **14 Years**

**OTHER PUBLICATIONS**

(21) Appl. No.: **29/422,307**

United States Patent Office Notice of Allowance for U.S. Appl. No. 29/422,304 dated Oct. 22, 2012 (6 pages).

(22) Filed: **May 18, 2012**

(Continued)

(51) **LOC (9) Cl.** ..... **07-02**

(52) **U.S. Cl.** ..... **D7/361; D7/354; D7/391**

(58) **Field of Classification Search** ..... D7/323, D7/329-332, 337-339, 346-347, 350.1-350.4, D7/353-367, 391-395, 402-406, 538, 542-543, D7/665; 99/324-325, 330-332, 337-343, 99/366-369, 400-418, 422, 425, 444, 483; 126/37 R, 41 R, 261, 378.1; 206/501-505, 206/507-508; 219/387, 400, 405, 429-442, 219/452.11, 620-624, 725, 730-735; 220/314-315, 220/573.1-573.5, 592.16, 912; 426/438, 426/441

See application file for complete search history.

*Primary Examiner* — Ricky Pham

(74) *Attorney, Agent, or Firm* — Michael Best & Friedrich LLP

(57) **CLAIM**

We claim the ornamental design for a pan, as shown and described in FIGS. 1-7.

**DESCRIPTION**

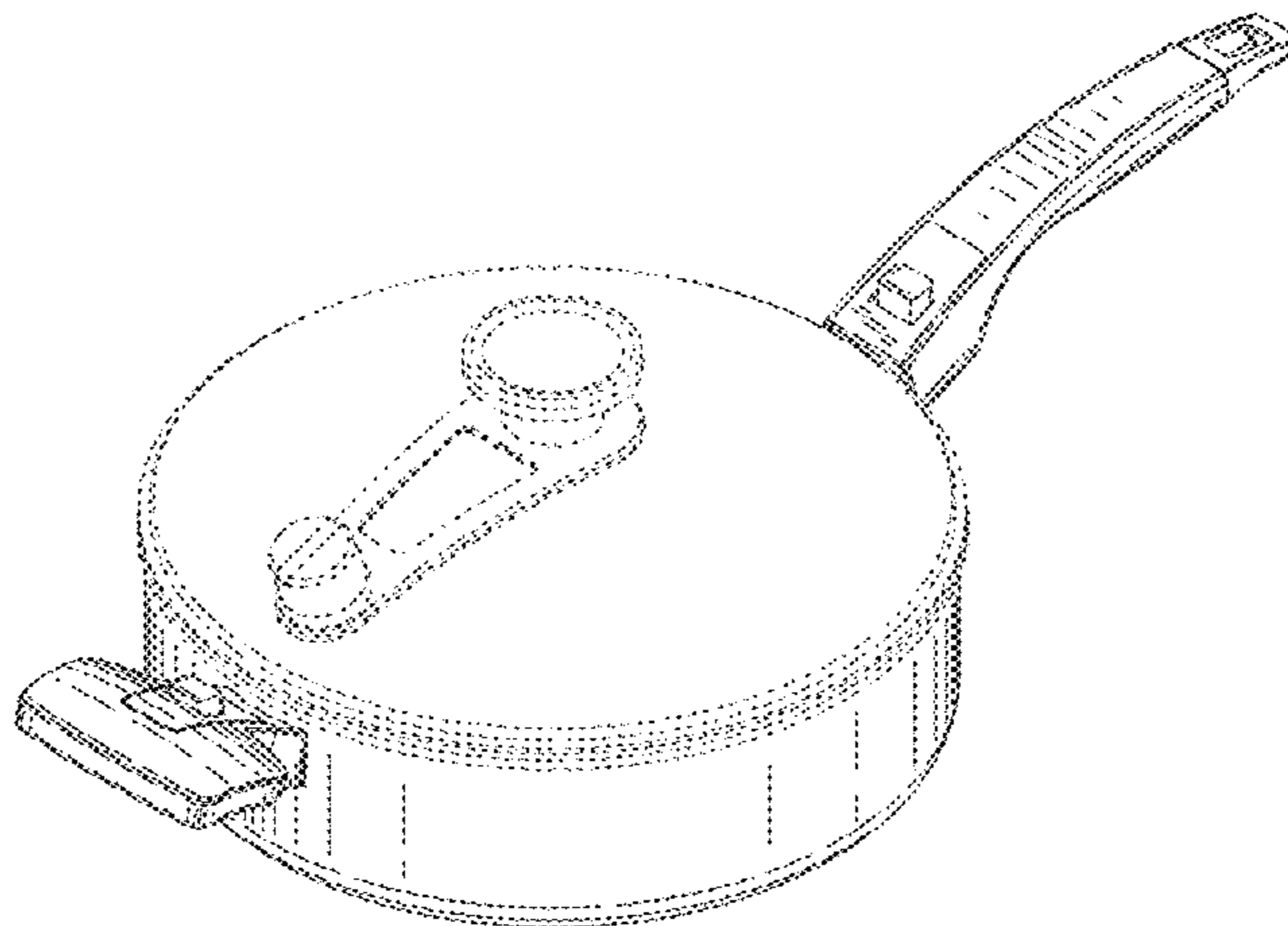
FIG. 1 is a perspective view of the pan.  
FIG. 2 is a side view of the pan shown in FIG. 1.  
FIG. 3 is another side view of the pan shown in FIG. 1.  
FIG. 4 is front view of the pan of FIG. 1.  
FIG. 5 is a rear view of the pan of FIG. 1.  
FIG. 6 is a top view of the pan of FIG. 1; and,  
FIG. 7 is bottom view of the pan of FIG. 1.  
The present application is directed to the design illustrated in the drawings. The broken line portions of the disclosure are for illustrative purposes only and form no part of the claimed design.

(56) **References Cited**

**U.S. PATENT DOCUMENTS**

1,943,585 A 1/1934 Cummins et al.  
2,162,961 A 6/1939 Mattoon  
2,478,784 A 8/1949 Serio  
2,501,940 A 3/1950 Hibbard  
2,546,387 A 3/1951 Coffing  
2,851,299 A 9/1958 Serio  
2,969,452 A 1/1961 Geller et al.  
3,065,017 A 11/1962 Serio  
3,065,018 A 11/1962 Serio

**1 Claim, 6 Drawing Sheets**



# US D677,518 S

Page 2

## U.S. PATENT DOCUMENTS

4,143,787	A	3/1979	Walker	
4,193,166	A	3/1980	Neff	
4,198,559	A	4/1980	Walter et al.	
4,201,312	A *	5/1980	Basile .....	220/314
4,241,946	A	12/1980	Spoeth, Jr.	
4,390,200	A	6/1983	Fischbach	
4,466,377	A	8/1984	Kolb et al.	
4,629,866	A	12/1986	Proctor	
4,667,085	A	5/1987	Remmel et al.	
4,690,095	A	9/1987	Walls et al.	
4,782,555	A	11/1988	Fischbach	
4,825,505	A	5/1989	Witte	
4,909,276	A	3/1990	Bayly et al.	
4,974,287	A	12/1990	Fischbach	
5,092,229	A	3/1992	Chen	
5,125,393	A	6/1992	Levitin	
5,175,907	A	1/1993	Baumgarten	
5,405,037	A	4/1995	Piron	
5,441,169	A	8/1995	Petty	
5,507,220	A	4/1996	Jung	
5,509,173	A	4/1996	LaSaosa	
5,579,946	A	12/1996	Rowan et al.	
5,597,086	A *	1/1997	King-Shui .....	220/592.16
5,644,976	A	7/1997	Muchin et al.	
5,724,884	A	3/1998	Fischbach	
5,750,967	A	5/1998	Sprauer, Jr.	
5,809,615	A	9/1998	Schneider et al.	
5,887,751	A	3/1999	Kroscher	
6,000,100	A	12/1999	Montgelard	
6,014,986	A	1/2000	Baumgarten	
6,029,843	A	2/2000	Kroscher et al.	
6,079,590	A	6/2000	Munari	
6,105,811	A	8/2000	Alfred	
6,129,234	A *	10/2000	Culig et al. ....	220/573.1
6,191,393	B1	2/2001	Park	
6,250,493	B1	6/2001	Kwan	
6,257,439	B1	7/2001	Hsu	
6,305,272	B1	10/2001	Lin	
6,320,166	B1	11/2001	Park	
6,341,714	B1	1/2002	Bogani	
6,380,524	B1	4/2002	Keller	
6,467,645	B2	10/2002	Park	
RE37,988	E *	2/2003	Uss .....	99/343
6,612,115	B2	9/2003	Luo	
6,631,824	B2	10/2003	Park	

6,666,132	B2	12/2003	Dodane	
6,675,483	B2	1/2004	Bond et al.	
6,694,868	B1	2/2004	Hung	
6,698,337	B1	3/2004	Park	
6,698,420	B2	3/2004	Anthony	
6,705,209	B2	3/2004	Yang et al.	
6,708,373	B2	3/2004	Dodane	
D521,313	S *	5/2006	Pukall et al. ....	D7/361
7,059,240	B2	6/2006	Kim	
7,090,090	B2	8/2006	Ohyama	
7,097,064	B2	8/2006	Cheng et al.	
D530,564	S *	10/2006	Chiba .....	D7/360
7,141,764	B1	11/2006	Shumate	
7,165,489	B1	1/2007	Fernandez et al.	
7,216,413	B2	5/2007	Cheng et al.	
D572,544	S *	7/2008	Jones .....	D7/665
D581,206	S *	11/2008	Roussard .....	D7/358
7,478,735	B2	1/2009	Lorthioir et al.	
7,481,330	B2	1/2009	Lorthioir et al.	
7,571,675	B1 *	8/2009	Cappadona et al. ....	99/337
D637,861	S *	5/2011	Degnan .....	D7/360
8,230,779	B2 *	7/2012	Yang .....	99/403
2002/0069766	A1 *	6/2002	Paul et al. ....	99/366
2005/0178274	A1 *	8/2005	Cartigny et al. ....	99/337
2005/0224071	A1	10/2005	Scioscio	
2006/0219724	A1	10/2006	Melnik	
2007/0045304	A1	3/2007	Liang	
2007/0210062	A1	9/2007	Gaynor et al.	
2007/0256570	A1	11/2007	Yang	
2008/0053984	A1	3/2008	Gaynor et al.	
2008/0230547	A1	9/2008	Scioscio	
2009/0108000	A1	4/2009	Lee	

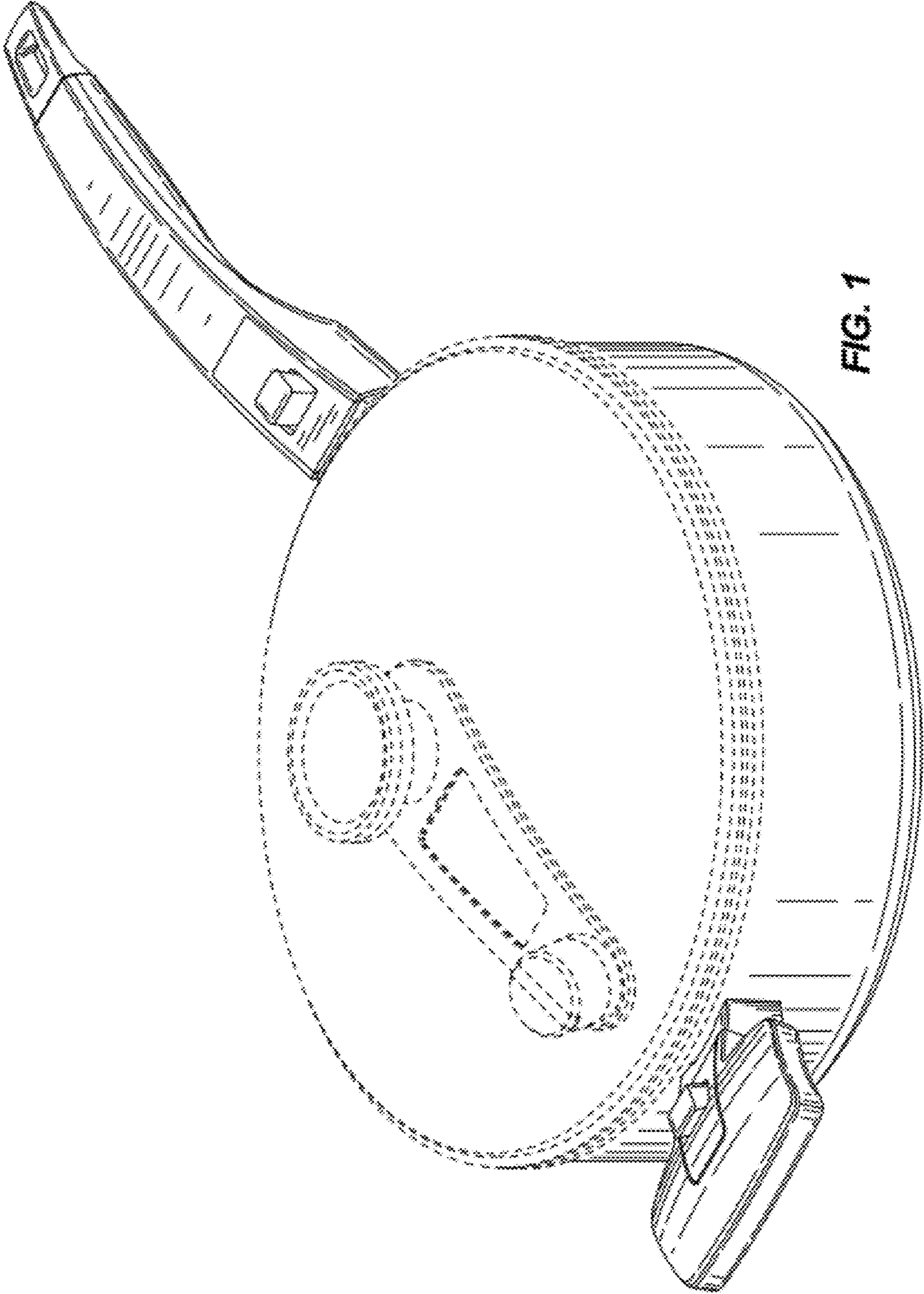
## FOREIGN PATENT DOCUMENTS

FR	2759126	A1	8/1998
GB	835438	A	5/1960
GB	869907	A	6/1961
GB	2232113	A	12/1990
GB	2264256	A	8/1993

## OTHER PUBLICATIONS

United States Patent Office Notice of Allowance for U.S. Appl. No. 29/422,298 dated Oct. 23, 2012 (6 pages).

\* cited by examiner



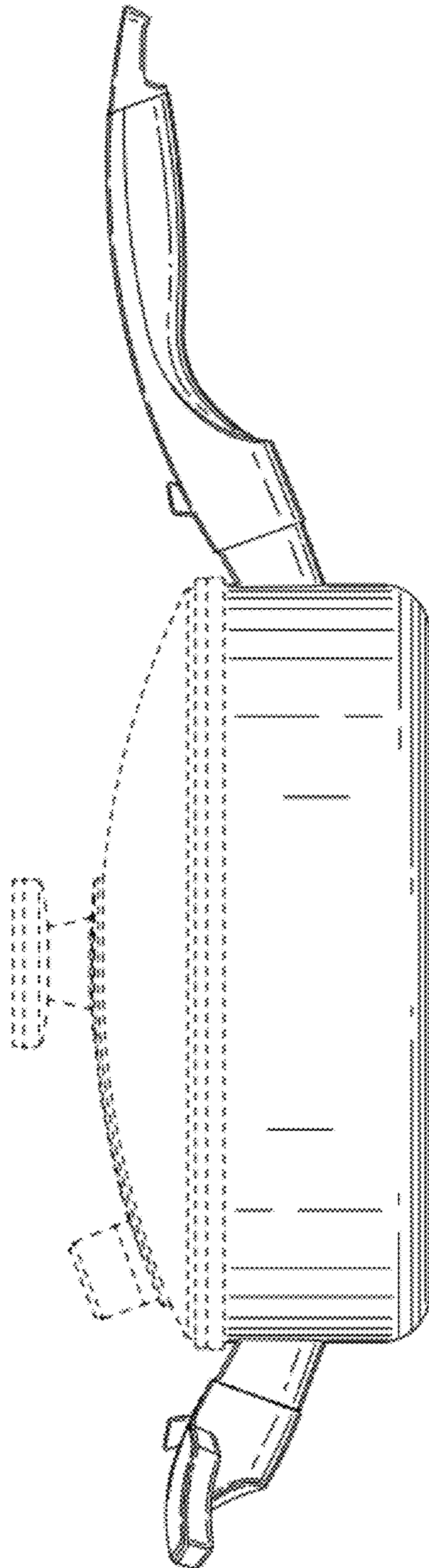


FIG. 2

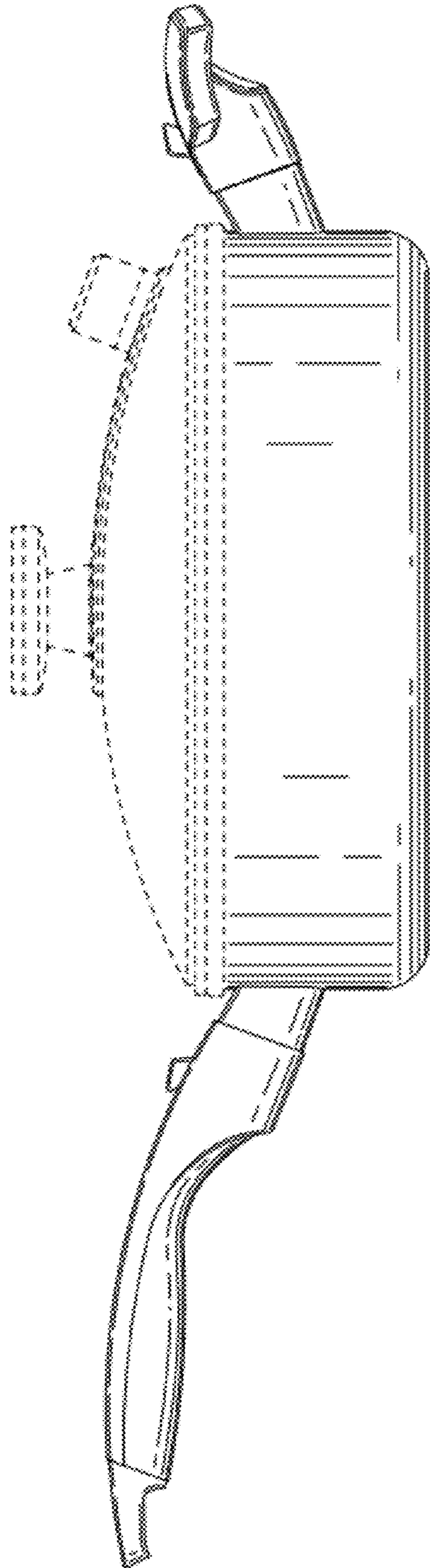


FIG. 3

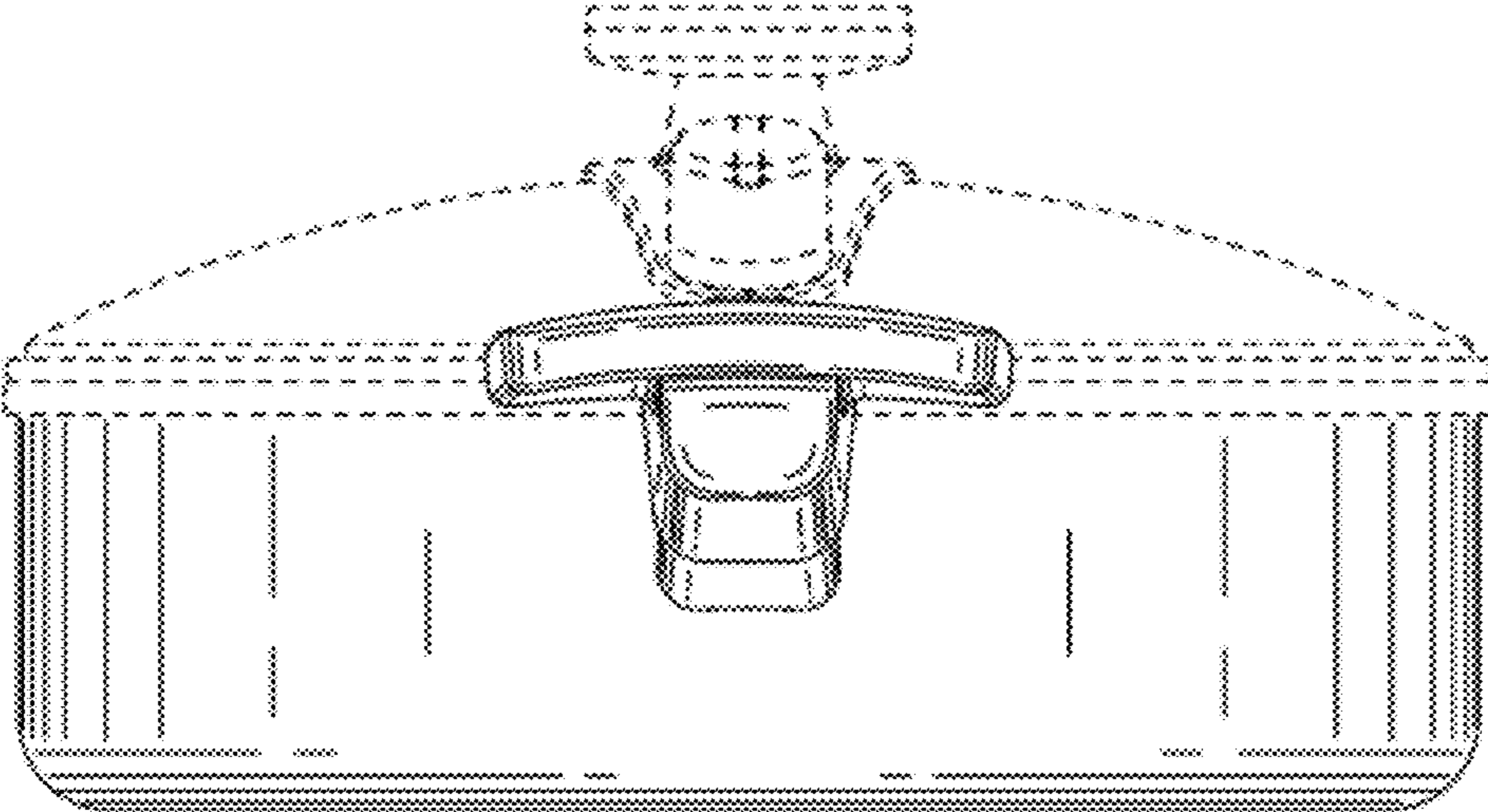


FIG. 4

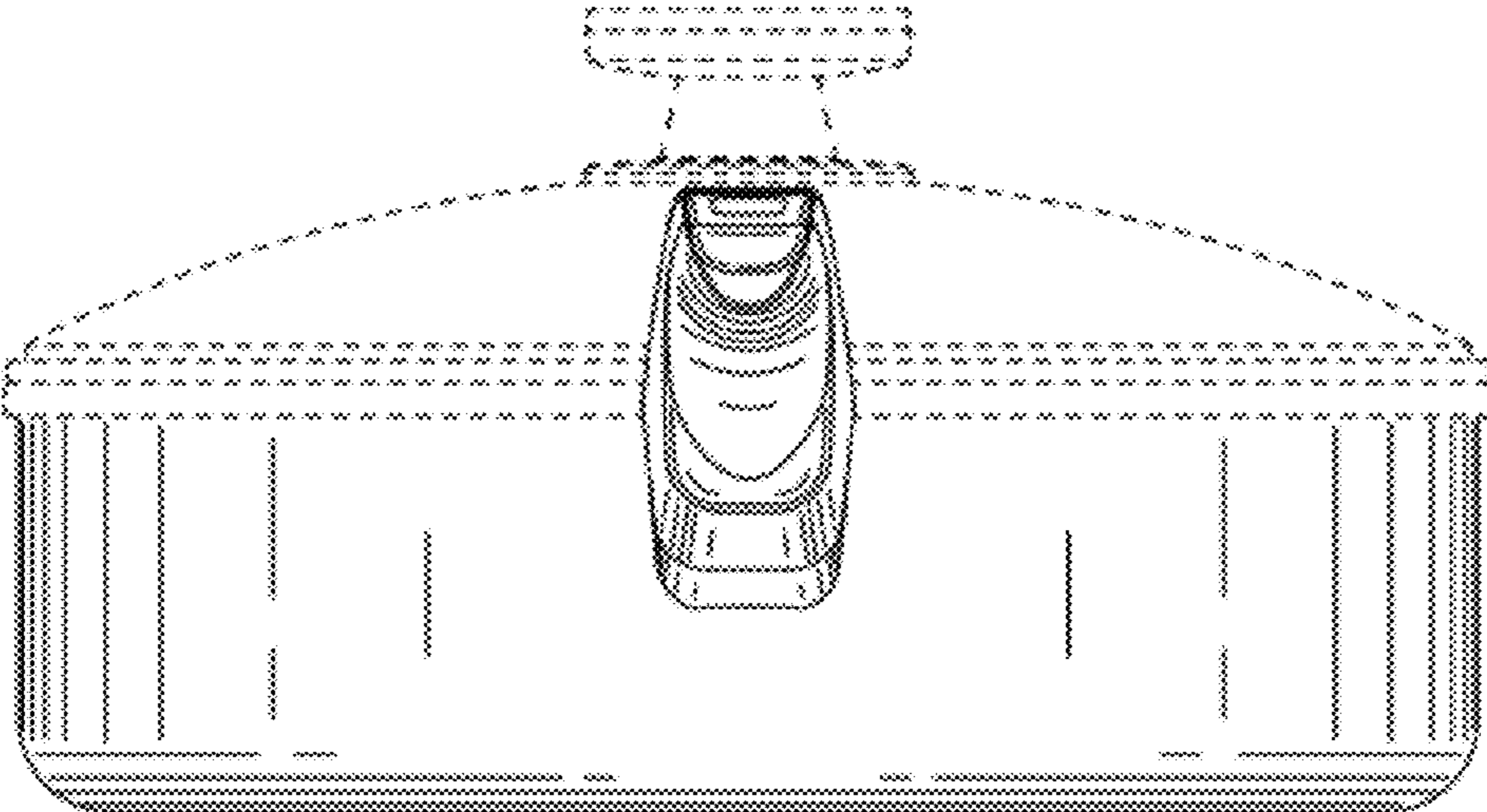


FIG. 5

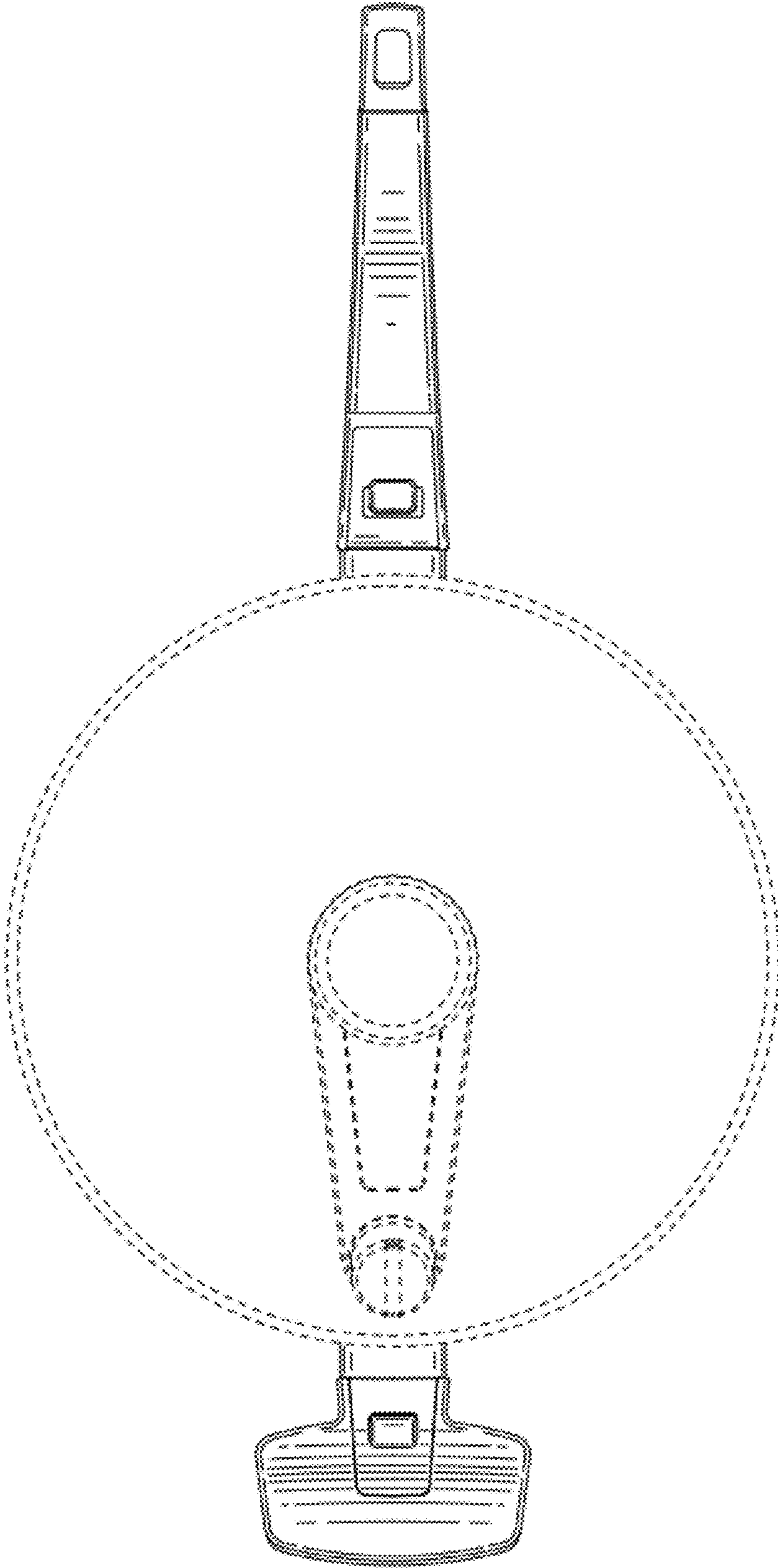


FIG. 6

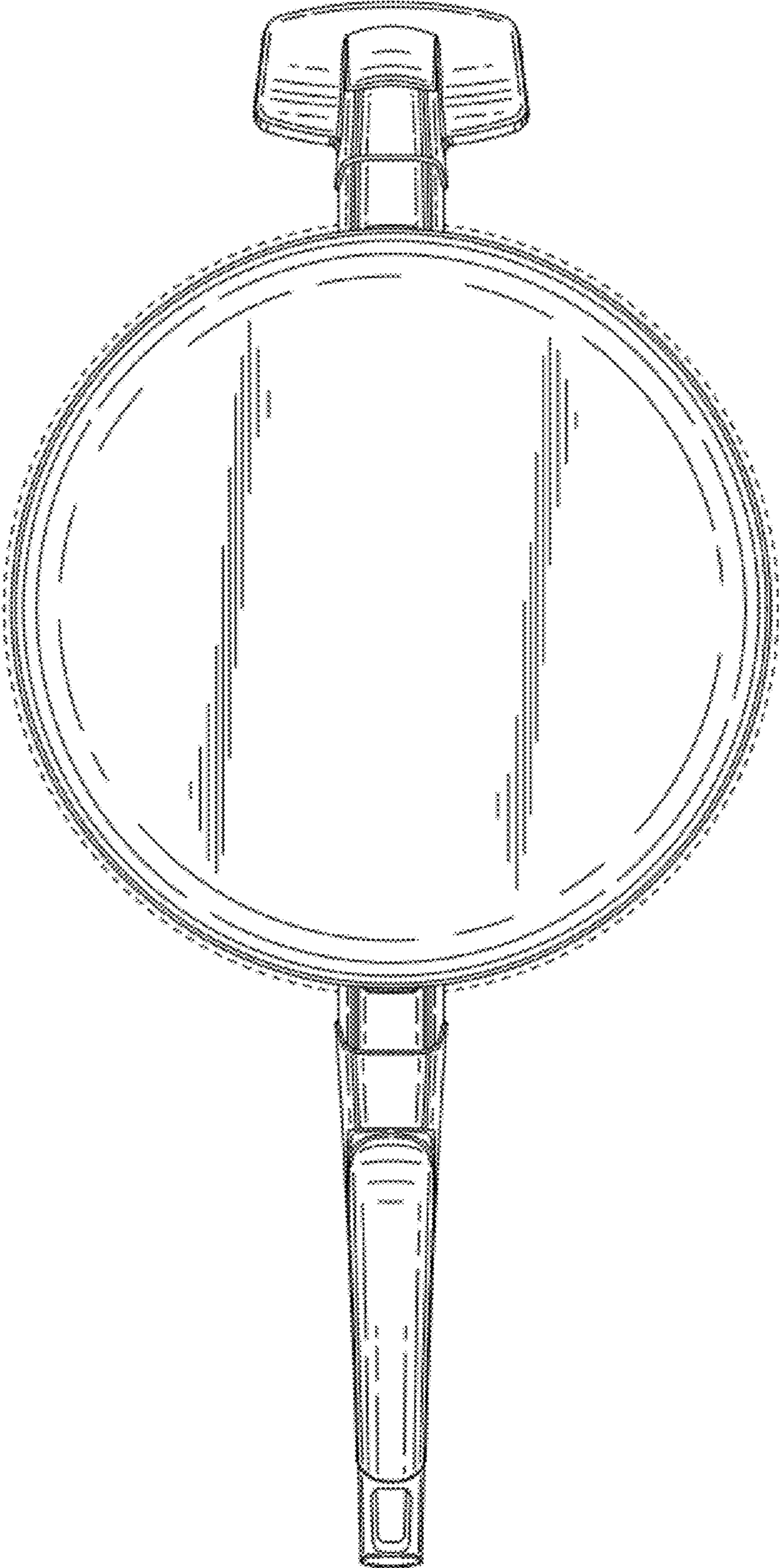


FIG. 7