



US00D677517S

(12) **United States Design Patent**
Dichraff et al.

(10) **Patent No.:** **US D677,517 S**
(45) **Date of Patent:** **** Mar. 12, 2013**

(54) **PAN**
(75) Inventors: **Aric Dichraff**, Madison, WI (US); **Craig Stevenson**, Saukville, WI (US); **Erik Johnson**, Middleton, WI (US); **Morad Ghassemian**, Oak Park, IL (US); **William Cesaroni**, Glenview, IL (US); **Jared Fritts**, Forest Park, IL (US); **Christian Baumgarten**, Neunkirchen (DE)

3,065,017 A 11/1962 Serio
3,065,018 A 11/1962 Serio
3,157,909 A 11/1964 Schmitt
3,306,647 A 2/1967 Imhoff
3,422,485 A 1/1969 Pryce
3,431,006 A 3/1969 Makita
3,736,917 A 6/1973 Stepanek
3,799,048 A 3/1974 Finley
3,823,307 A 7/1974 Weiss
3,858,750 A 1/1975 Grall
3,934,748 A 1/1976 Racz
4,143,787 A 3/1979 Walker
4,193,166 A 3/1980 Neff

(Continued)

(73) Assignee: **Hy Cite Enterprises LLC**, Madison, WI (US)

(**) Term: **14 Years**

(21) Appl. No.: **29/422,304**

(22) Filed: **May 18, 2012**

(51) **LOC (9) Cl.** **07-02**

(52) **U.S. Cl.** **D7/361; D7/354; D7/391**

(58) **Field of Classification Search** D7/323,
D7/329-332, 337-339, 346-347, 350.1-350.4,
D7/353-367, 391-395, 402-406, 538, 542-543,
D7/665; 99/324-325, 330-332, 337-343,
99/366-369, 400-418, 422, 425, 444, 483;
126/37 R, 41 R, 261, 378.1; 206/501-505,
206/507-508; 219/387, 400, 405, 429-442,
219/452.11, 620-624, 725, 730-735; 220/314-315,
220/573.1-573.5, 592.16, 912; 426/438,
426/441

See application file for complete search history.

(56) **References Cited**

U.S. PATENT DOCUMENTS

1,943,585 A 1/1934 Cummins et al.
2,162,961 A 6/1939 Mattoon
2,478,784 A 8/1949 Serio
2,501,940 A 3/1950 Hibbard
2,546,387 A 3/1951 Coffing
2,851,299 A 9/1958 Serio
2,969,452 A 1/1961 Geller et al.

FOREIGN PATENT DOCUMENTS

DE 2501404 A1 7/1976
EP 0714624 B1 1/1997

(Continued)

OTHER PUBLICATIONS

United States Patent Office Notice of Allowance for U.S. Appl. No. 29/422,298 dated Oct. 23, 2012 (6 pages).

(Continued)

Primary Examiner — Ricky Pham

(74) *Attorney, Agent, or Firm* — Michael Best & Friedrich LLP

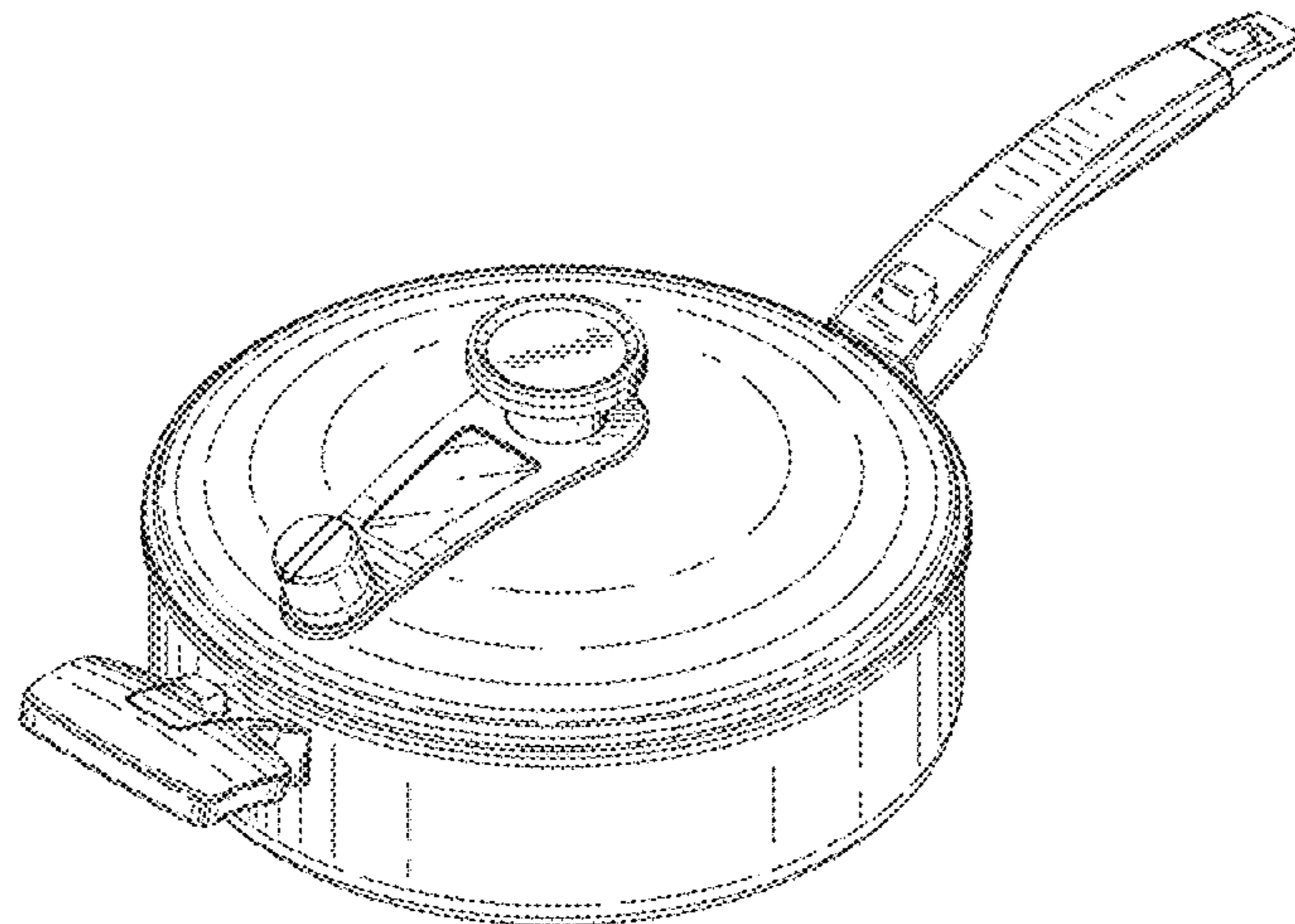
(57) **CLAIM**

We claim the ornamental design for a pan, as shown and described in FIGS. 1-7.

DESCRIPTION

FIG. 1 is a perspective view of the pan.
FIG. 2 is a side view of the pan shown in FIG. 1.
FIG. 3 is another side view of the pan shown in FIG. 1.
FIG. 4 is front view of the pan of FIG. 1.
FIG. 5 is a rear view of the pan of FIG. 1.
FIG. 6 is a top view of the pan of FIG. 1; and,
FIG. 7 is bottom view of the pan of FIG. 1.

1 Claim, 6 Drawing Sheets



US D677,517 S

Page 2

U.S. PATENT DOCUMENTS

4,198,559	A	4/1980	Walter et al.	
4,201,312	A *	5/1980	Basile	220/314
4,241,946	A	12/1980	Spoeth, Jr.	
4,390,200	A	6/1983	Fischbach	
4,466,377	A	8/1984	Kolb et al.	
4,629,866	A	12/1986	Proctor	
4,667,085	A	5/1987	Rommel et al.	
4,690,095	A	9/1987	Walls et al.	
4,782,555	A	11/1988	Fischbach	
4,825,505	A	5/1989	Witte	
4,909,276	A	3/1990	Bayly et al.	
4,974,287	A	12/1990	Fischbach	
5,092,229	A	3/1992	Chen	
5,125,393	A	6/1992	Levitin	
5,175,907	A	1/1993	Baumgarten	
5,405,037	A	4/1995	Piron	
5,441,169	A	8/1995	Petty	
5,507,220	A	4/1996	Jung	
5,509,173	A	4/1996	LaSaosa	
5,579,946	A	12/1996	Rowan et al.	
5,597,086	A *	1/1997	King-Shui	220/592.16
5,644,976	A	7/1997	Muchin et al.	
5,724,884	A	3/1998	Fischbach	
5,750,967	A	5/1998	Sprauer, Jr.	
5,809,615	A	9/1998	Schneider et al.	
5,887,751	A	3/1999	Kroscher	
6,000,100	A	12/1999	Montgelard	
6,014,986	A	1/2000	Baumgarten	
6,029,843	A	2/2000	Kroscher et al.	
6,079,590	A	6/2000	Munari	
6,105,811	A	8/2000	Alfred	
6,129,234	A *	10/2000	Culig et al.	220/573.1
6,191,393	B1	2/2001	Park	
6,250,493	B1	6/2001	Kwan	
6,257,439	B1	7/2001	Hsu	
6,305,272	B1	10/2001	Lin	
6,320,166	B1	11/2001	Park	
6,341,714	B1	1/2002	Bogani	
6,380,524	B1	4/2002	Keller	
6,467,645	B2	10/2002	Park	
RE37,988	E *	2/2003	Uss	99/343
6,612,115	B2	9/2003	Luo	
6,631,824	B2	10/2003	Park	
6,666,132	B2	12/2003	Dodane	

6,675,483	B2	1/2004	Bond et al.	
6,694,868	B1	2/2004	Hung	
6,698,337	B1	3/2004	Park	
6,698,420	B2	3/2004	Anthony	
6,705,209	B2	3/2004	Yang et al.	
6,708,373	B2	3/2004	Dodane	
D521,313	S *	5/2006	Pukall et al.	D7/361
7,059,240	B2	6/2006	Kim	
7,090,090	B2	8/2006	Ohyama	
7,097,064	B2	8/2006	Cheng et al.	
D530,564	S *	10/2006	Chiba	D7/360
7,141,764	B1	11/2006	Shumate	
7,165,489	B1	1/2007	Fernandez et al.	
7,216,413	B2	5/2007	Cheng et al.	
D572,544	S *	7/2008	Jones	D7/665
D581,206	S *	11/2008	Roussard	D7/358
7,478,735	B2	1/2009	Lorthioir et al.	
7,481,330	B2	1/2009	Lorthioir et al.	
7,571,675	B1 *	8/2009	Cappadona et al.	99/337
D637,861	S *	5/2011	Degnan	D7/360
8,230,779	B2 *	7/2012	Yang	99/403
2002/0069766	A1 *	6/2002	Paul et al.	99/366
2005/0178274	A1 *	8/2005	Cartigny et al.	99/337
2005/0224071	A1	10/2005	Scioscio	
2006/0219724	A1	10/2006	Melnik	
2007/0045304	A1	3/2007	Liang	
2007/0210062	A1	9/2007	Gaynor et al.	
2007/0256570	A1	11/2007	Yang	
2008/0053984	A1	3/2008	Gaynor et al.	
2008/0230547	A1	9/2008	Scioscio	
2009/0108000	A1	4/2009	Lee	

FOREIGN PATENT DOCUMENTS

FR	2759126	A1	8/1998
GB	835438	A	5/1960
GB	869907	A	6/1961
GB	2232113	A	12/1990
GB	2264256	A	8/1993

OTHER PUBLICATIONS

United States Patent Office Notice of Allowance for U.S. Appl. No. 29/422,307 dated Oct. 24, 2012 (8 pages).

* cited by examiner

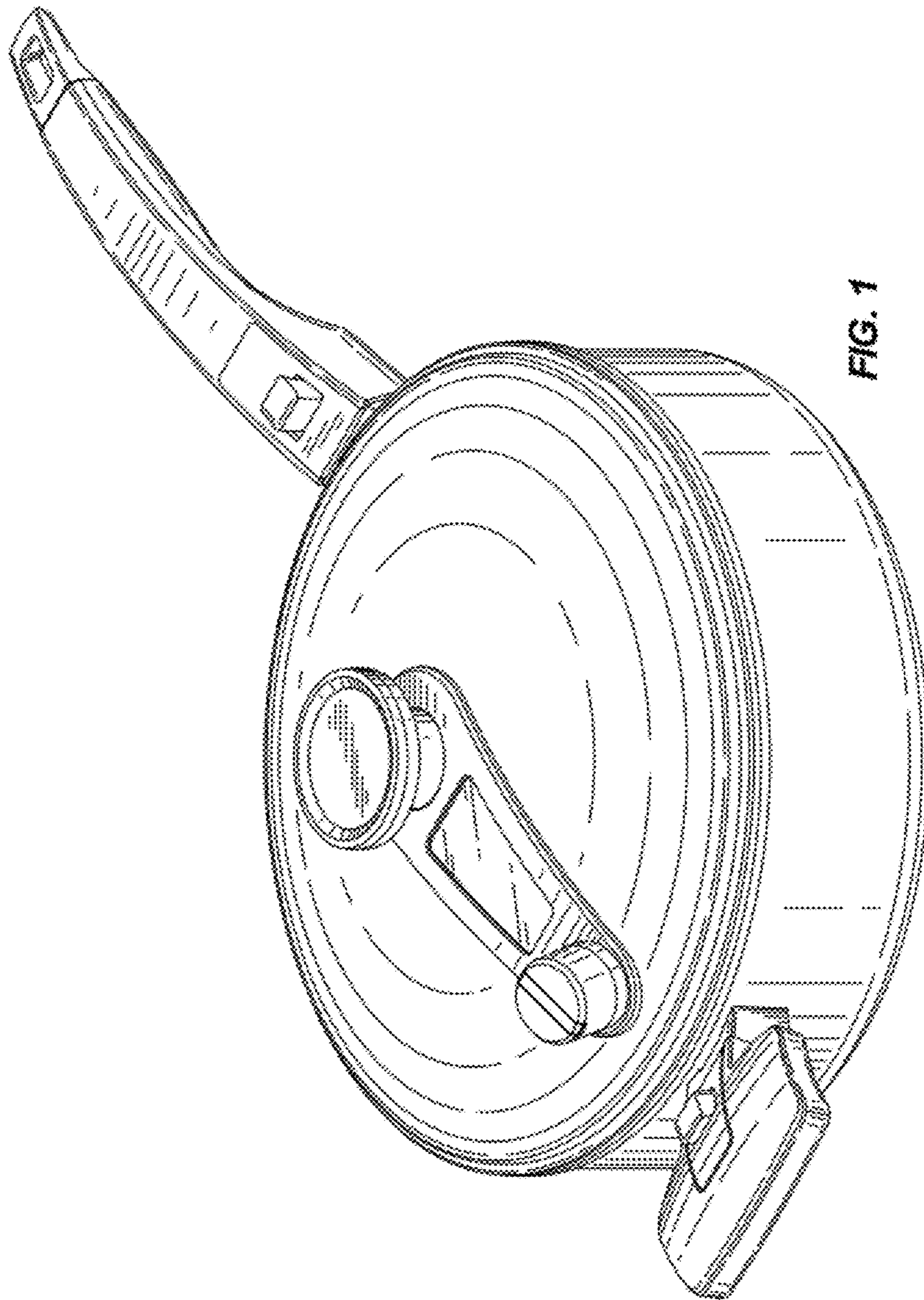


FIG. 1

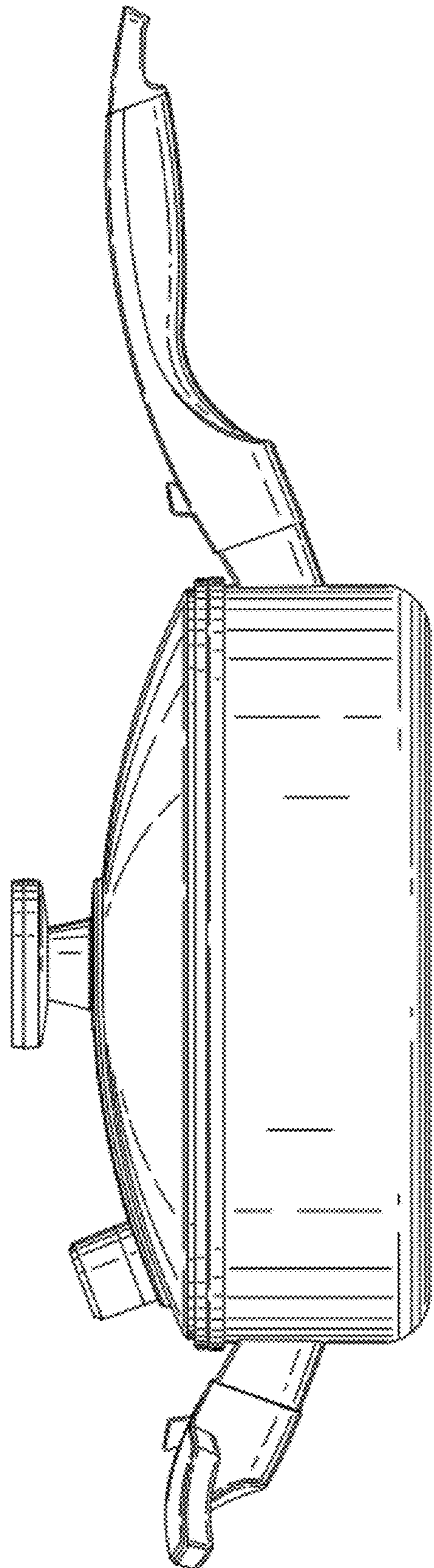


FIG. 2

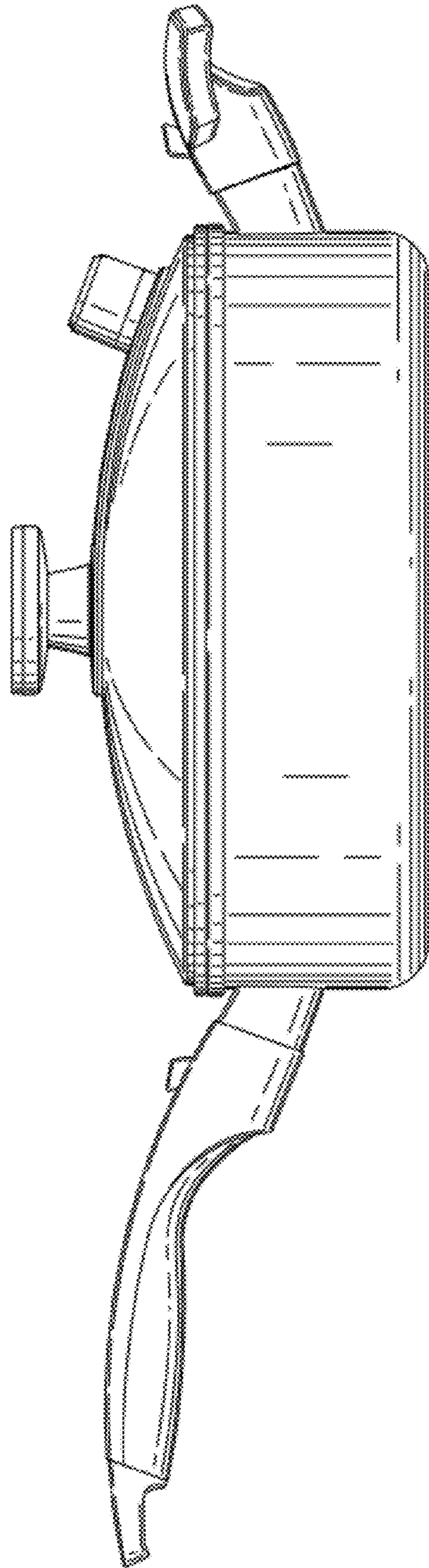


FIG. 3

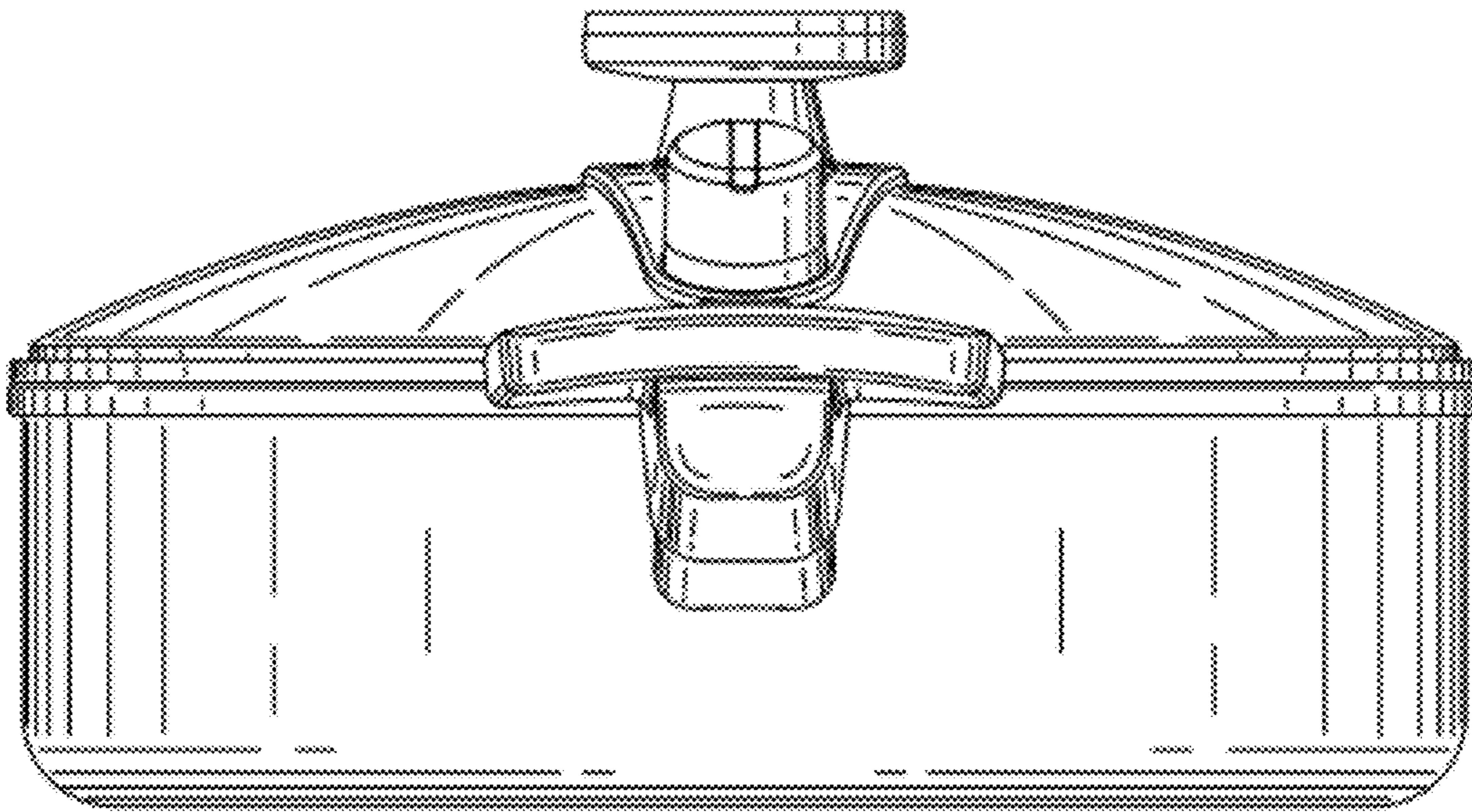


FIG. 4

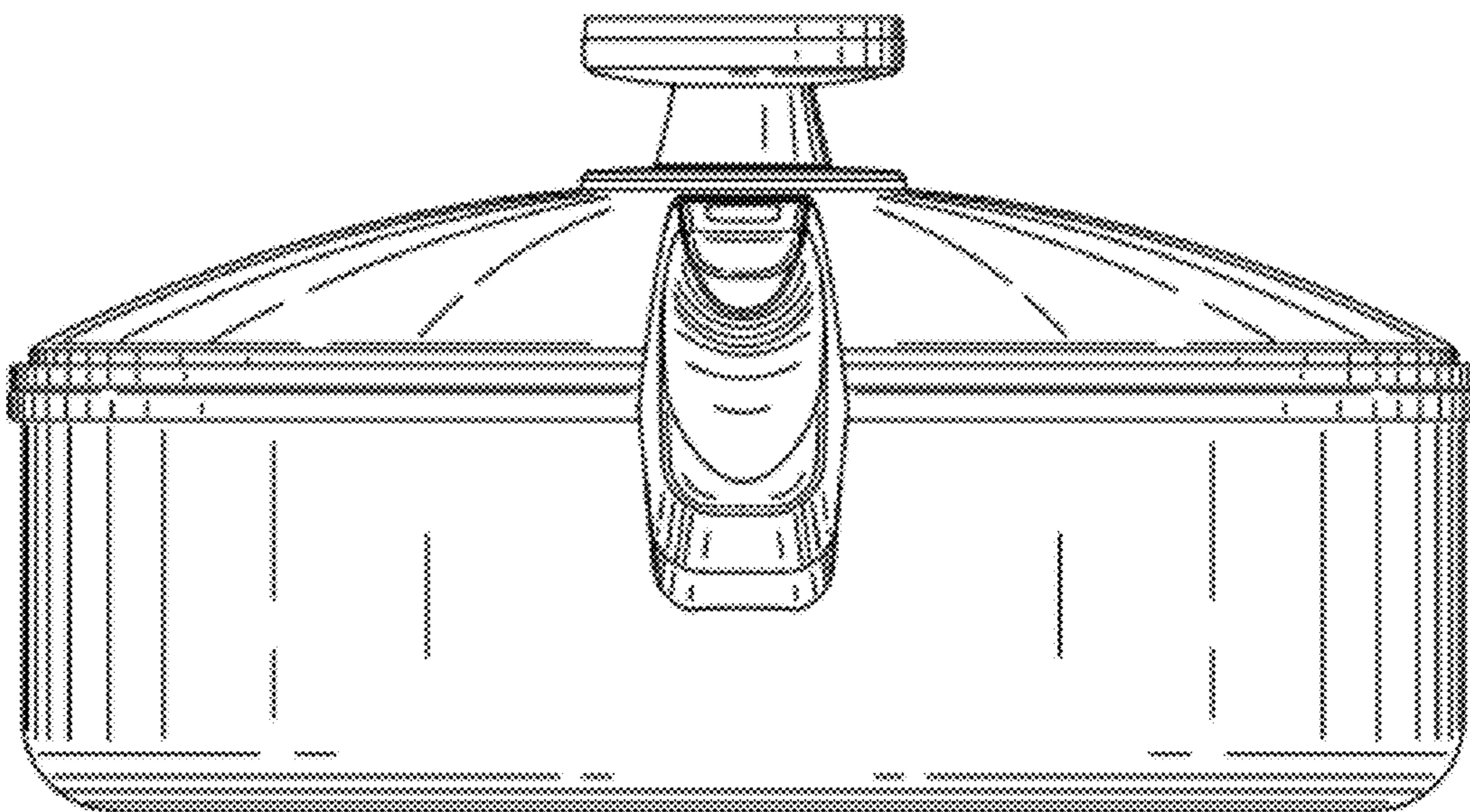


FIG. 5

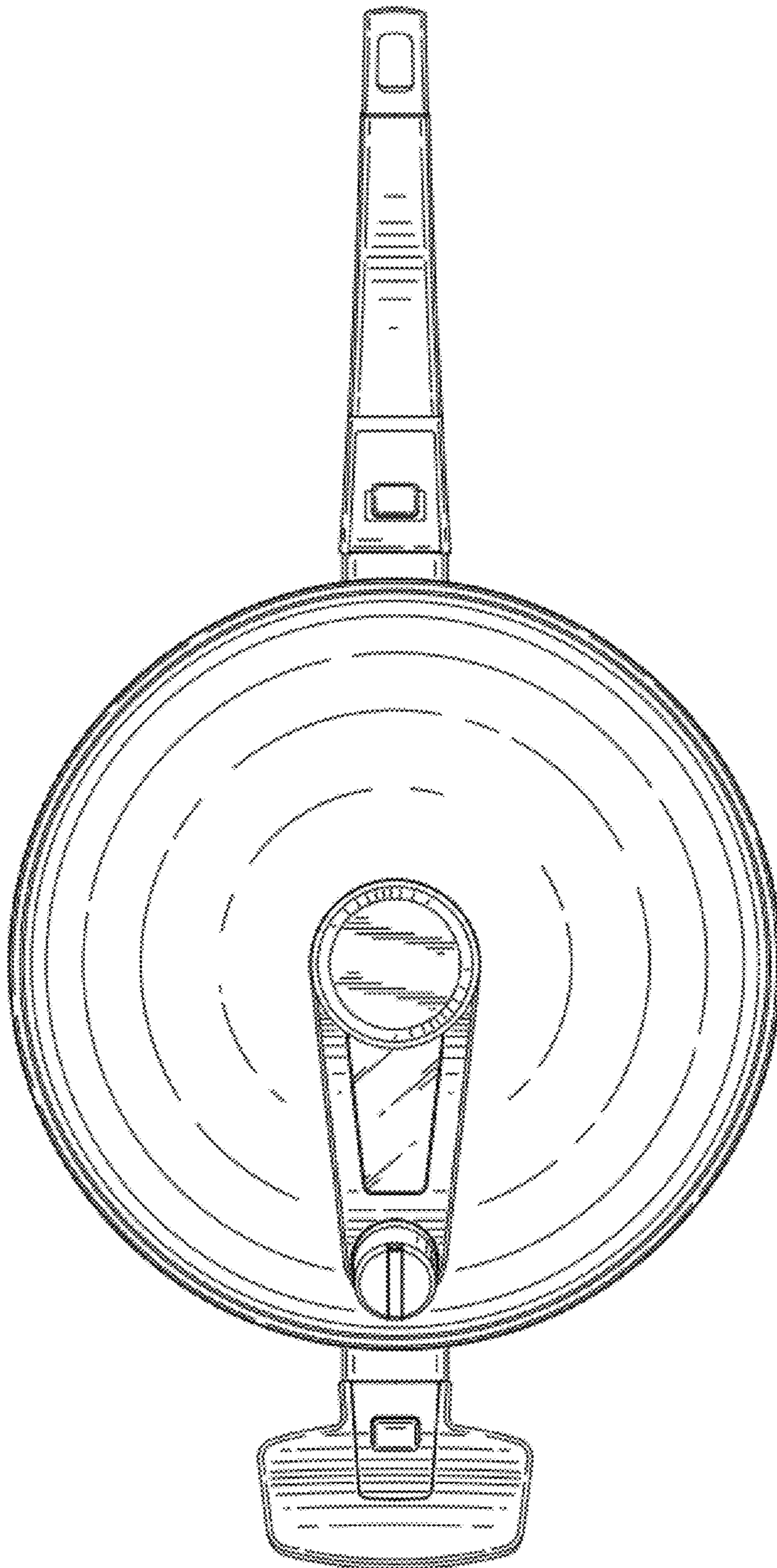


FIG. 6

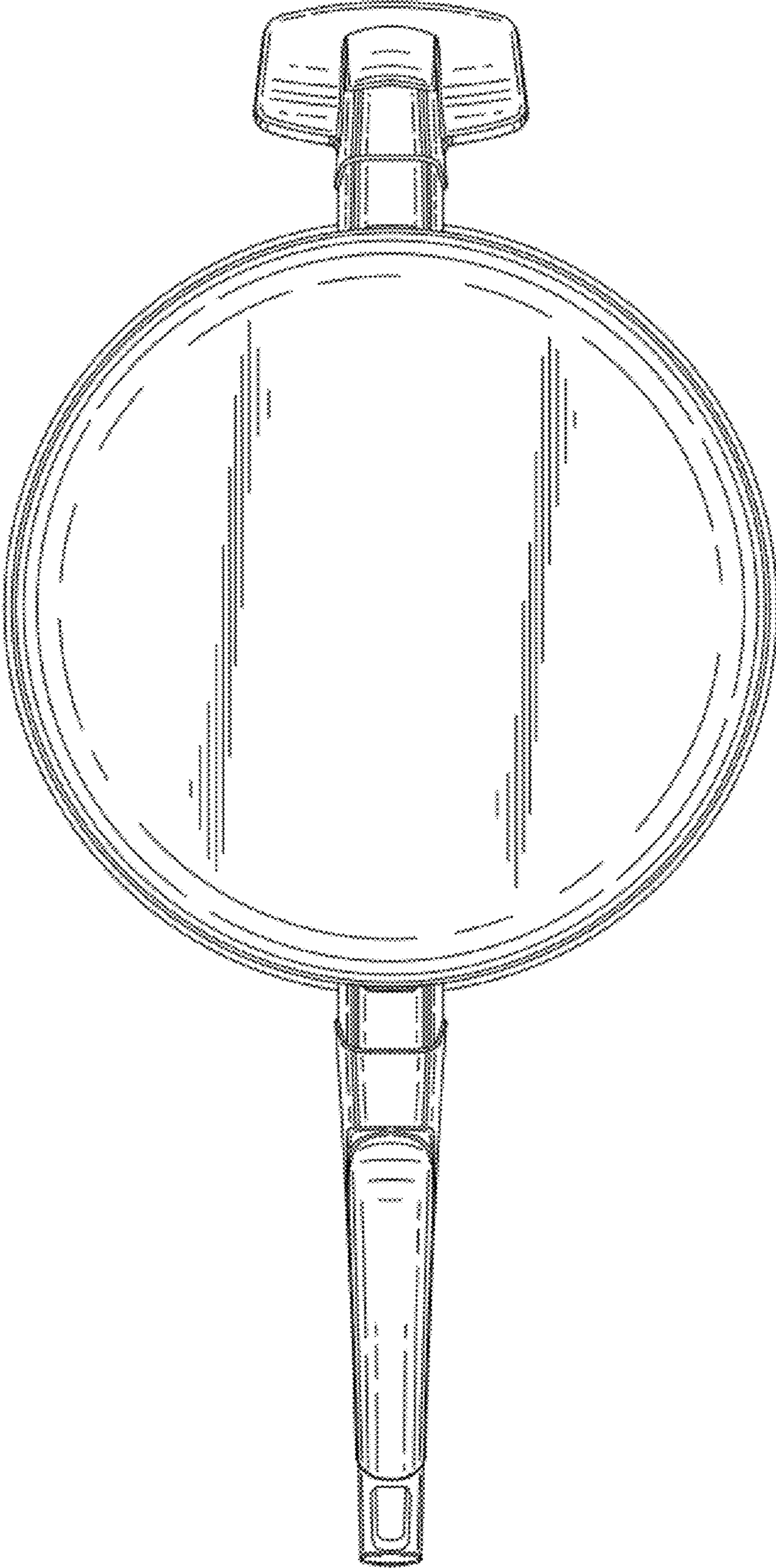


FIG. 7