



US00D677516S

(12) **United States Design Patent**  
**Cloutier**

(10) **Patent No.:** **US D677,516 S**

(45) **Date of Patent:** **\*\* Mar. 12, 2013**

(54) **MESH FRY PAN**

(75) Inventor: **Andre Dean Cloutier**, Blaine, WA (US)

(73) Assignee: **Magellan Group Ltd.**, Blaine, WA (US)

(\*\*) Term: **14 Years**

(21) Appl. No.: **29/420,445**

(22) Filed: **May 9, 2012**

(51) **LOC (9) Cl.** ..... **07-02**

(52) **U.S. Cl.** ..... **D7/361; D7/354**

(58) **Field of Classification Search** ..... D7/323,  
D7/329-332, 337-339, 346-347, 350.1-350.4,  
D7/353-367, 391-395, 402-406, 538, 542-543,  
D7/665; 99/324-325, 330-332, 337-343,  
99/366-369, 400-418, 422, 425, 444, 483;  
55/511; 126/37 R, 41 R, 261, 378.1, 390.1;  
206/501-505, 507-508; 219/387, 400, 405,  
219/429-442, 452.11, 620-624, 725, 730-735;  
220/314-315, 573.1-573.5, 592.16, 912;  
426/438, 441

See application file for complete search history.

(56) **References Cited**

**U.S. PATENT DOCUMENTS**

2,534,407	A *	12/1950	Bramberry, Jr.	126/390.1
3,343,345	A *	9/1967	Carolan	55/511
D372,395	S *	8/1996	Candianides	D7/361
D377,438	S *	1/1997	Brunianyn	D7/361
D431,151	S *	9/2000	Brunianyn	D7/359
6,360,654	B1 *	3/2002	Cornfield	99/339
6,523,460	B1 *	2/2003	Lange	99/340
D482,233	S *	11/2003	Rae	D7/393

D582,202	S *	12/2008	Gerlach	D7/361
D639,604	S *	6/2011	Degnan	D7/361
D641,585	S *	7/2011	Cheng	D7/354
D656,358	S *	3/2012	Cloutier et al.	D7/361
D658,433	S *	5/2012	Zemel	D7/393

\* cited by examiner

*Primary Examiner* — Ricky Pham

(74) *Attorney, Agent, or Firm* — Dwayne E. Rogge; Schacht Law Office, Inc.

(57) **CLAIM**

The ornamental design for a mesh fry pan, as shown and described.

**DESCRIPTION**

FIG. 1 is an isometric partially exploded view of our mesh fry pan thereof.

FIG. 2 is an isometric view thereof.

FIG. 3 is a top view thereof.

FIG. 4 is a side view thereof with the opposing side view being a mirror image thereof.

FIG. 5 is an enlarged exploded view thereof; shown separately for clarity of illustration.

FIG. 6 is an isometric view thereof.

FIG. 7 is an enlarged top view thereof.

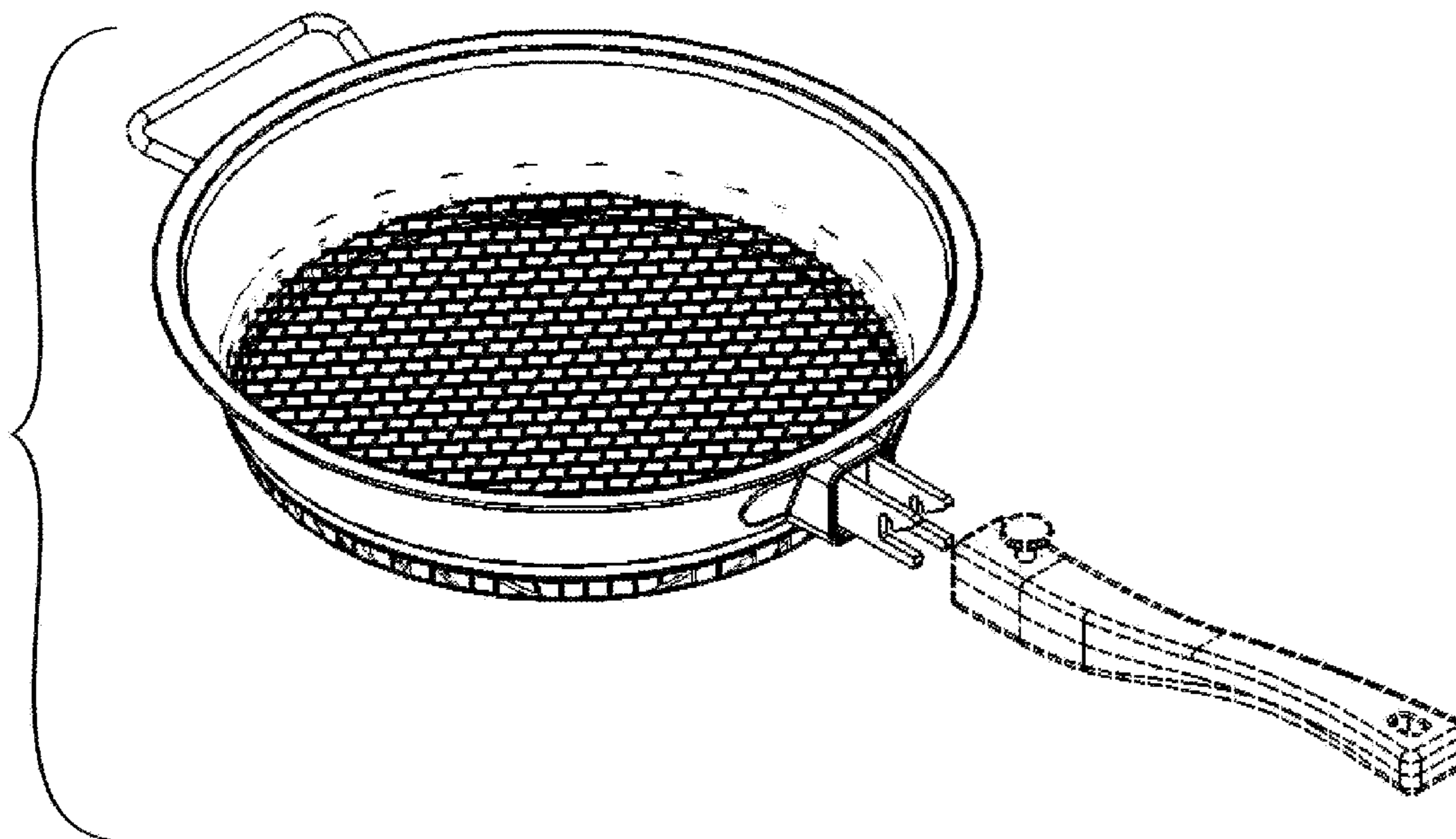
FIG. 8 is a side view thereof with the opposing side view being a mirror image thereof.

FIG. 9 is an enlarged side cutaway detail view of the lower portion thereof; and,

FIG. 10 is a bottom view thereof.

The broken lines shown in the drawings are for illustrative purposes only and form no part of the claimed design.

**1 Claim, 9 Drawing Sheets**



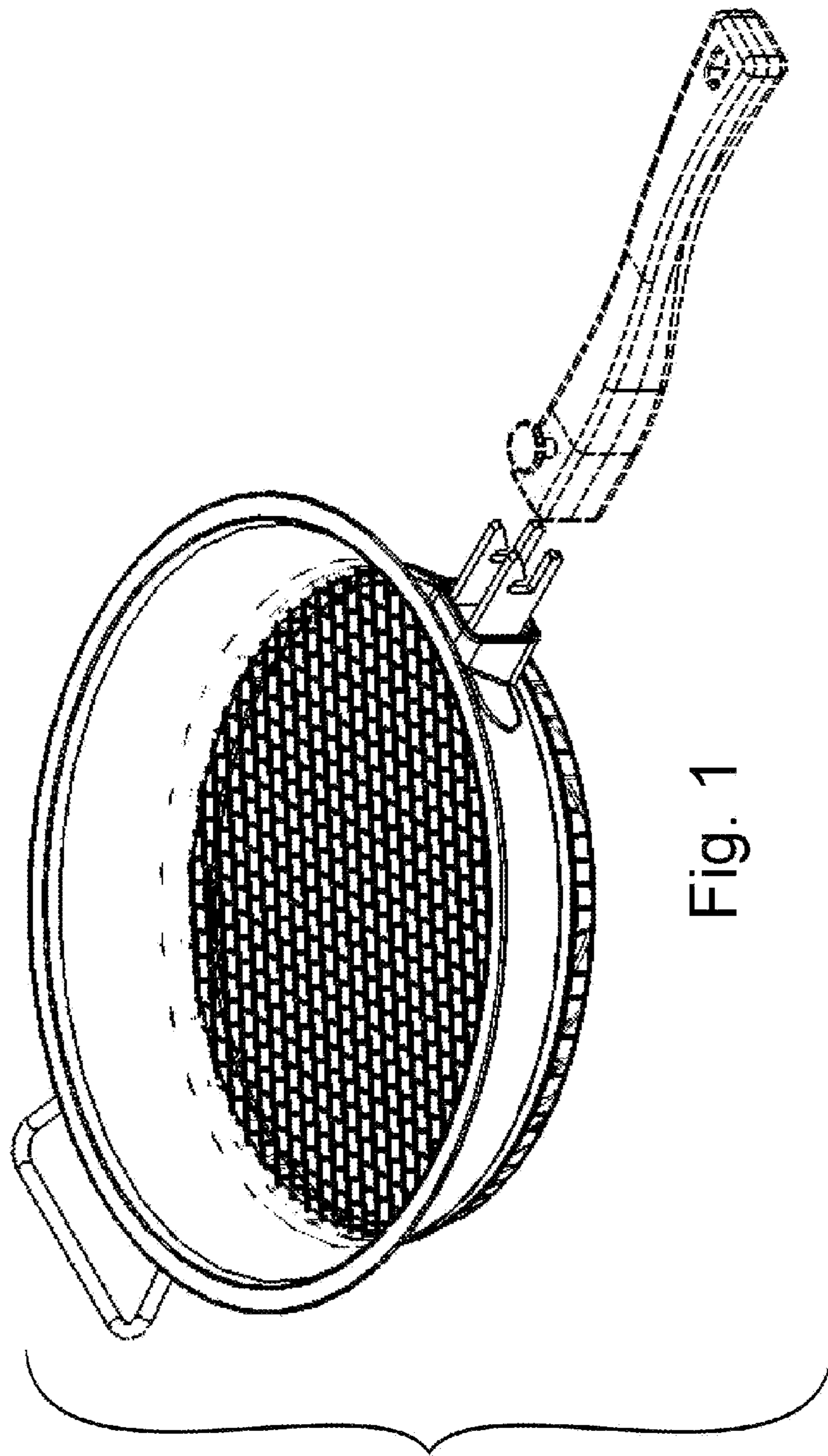


Fig. 1

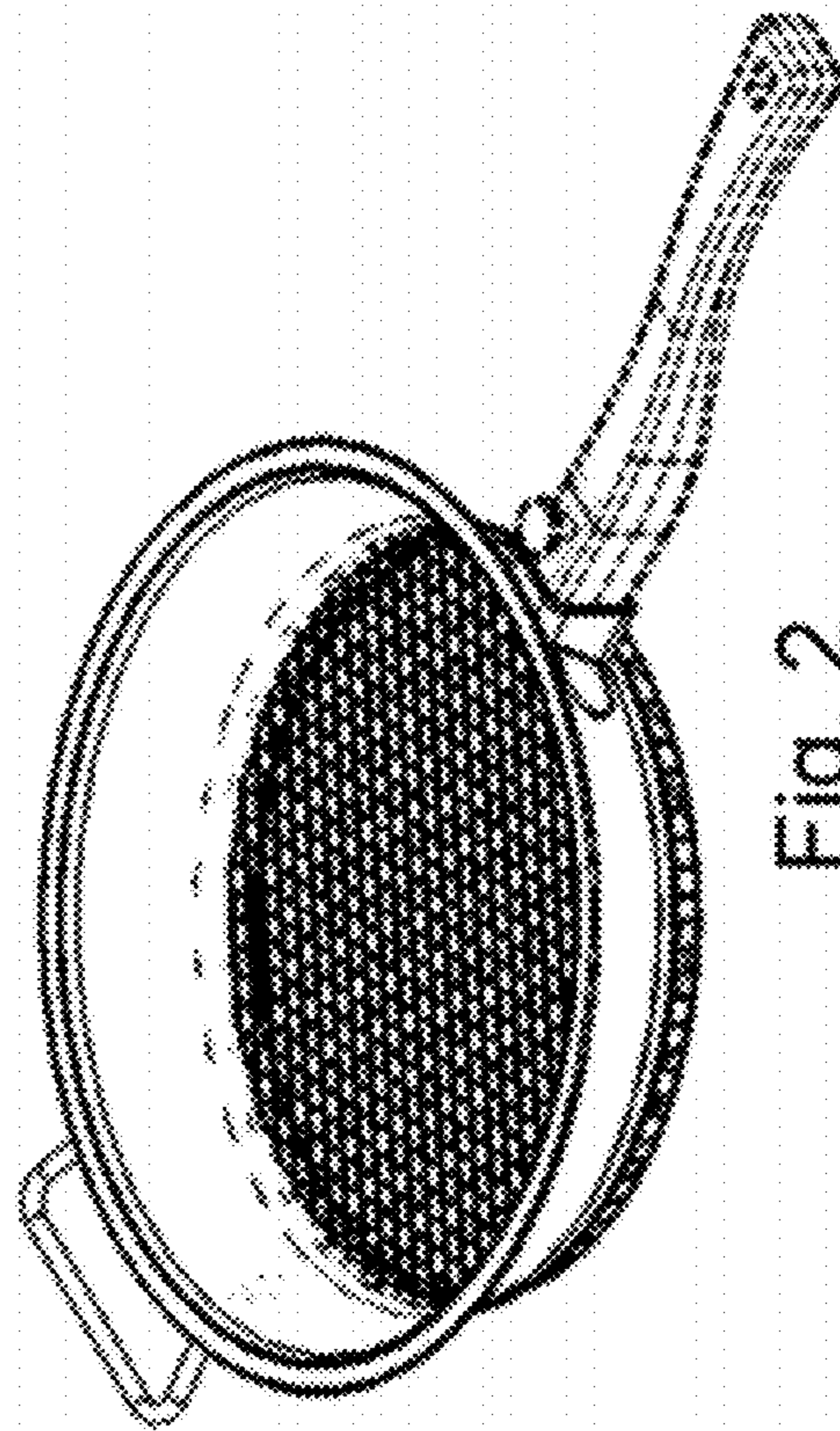


Fig. 2



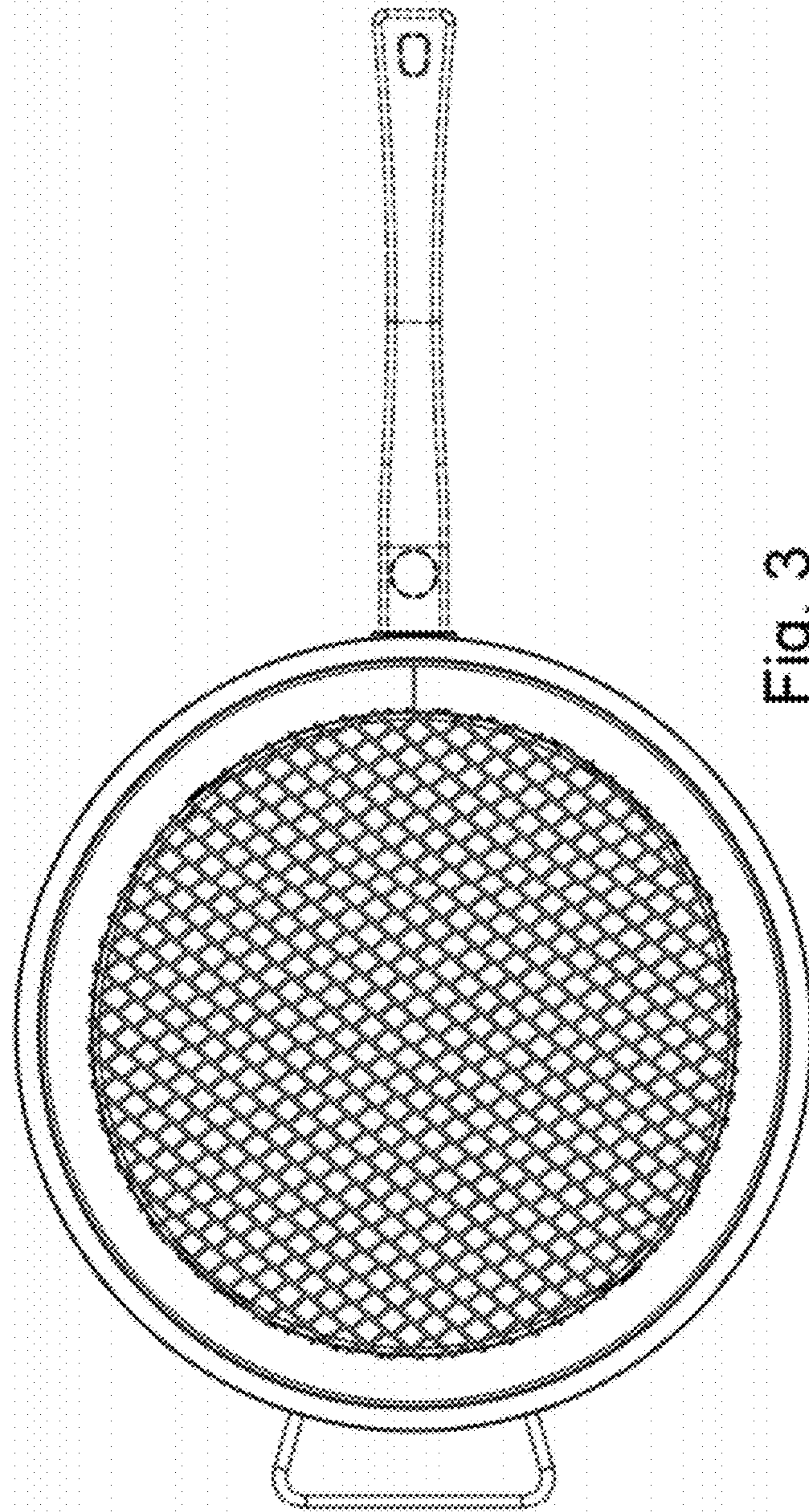


Fig. 3

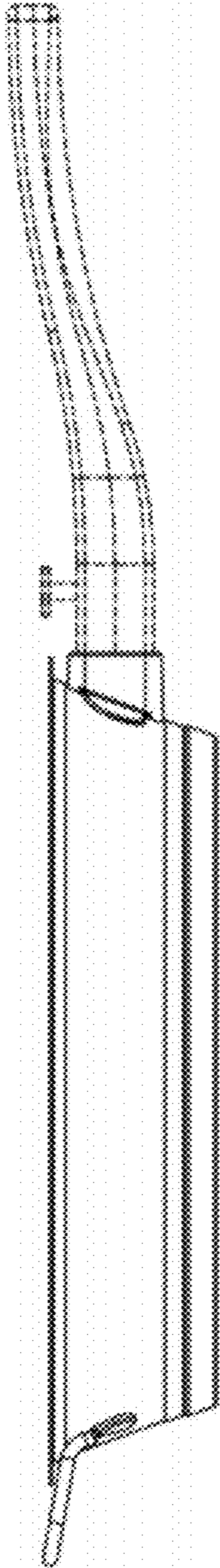


Fig. 4



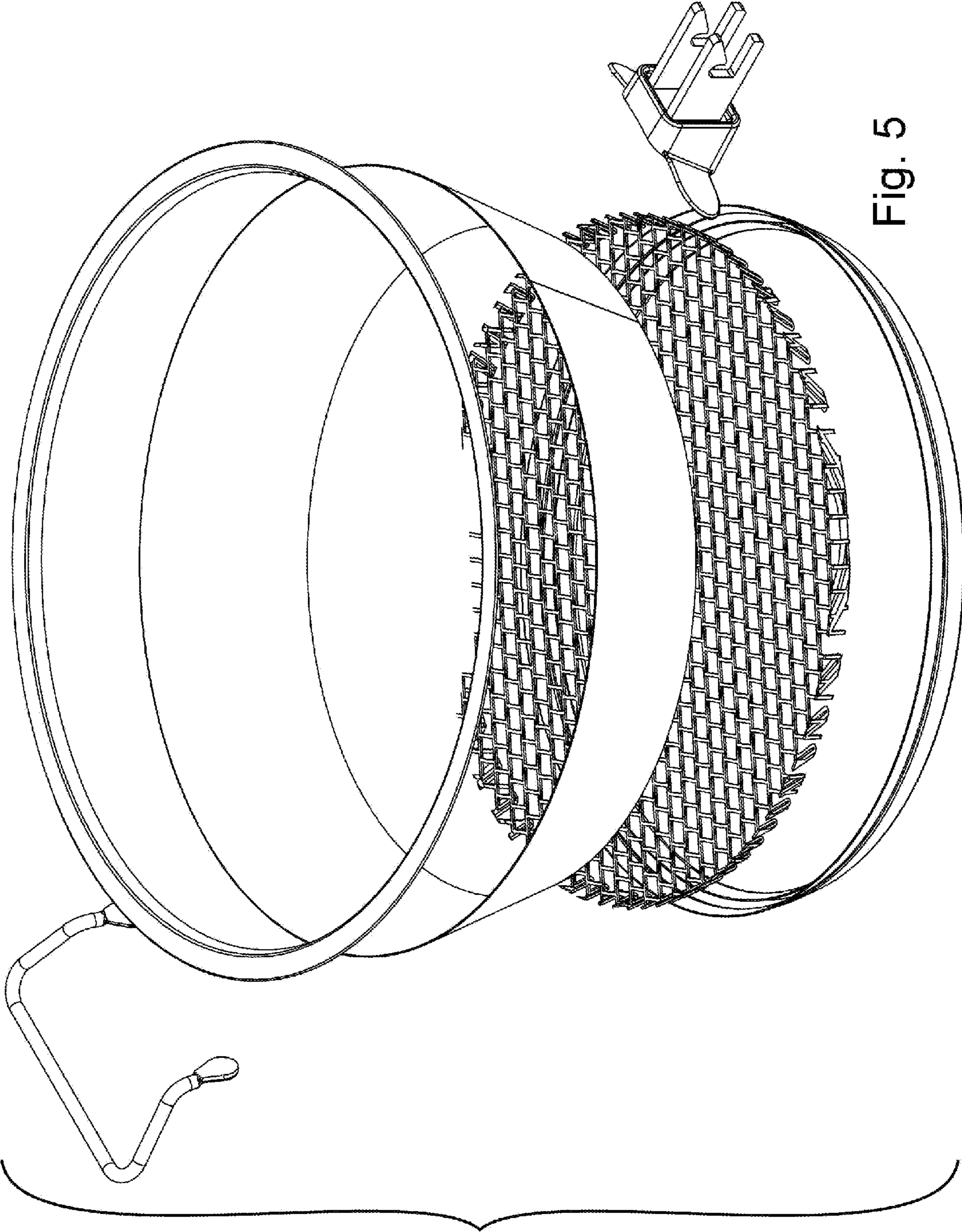


Fig. 5

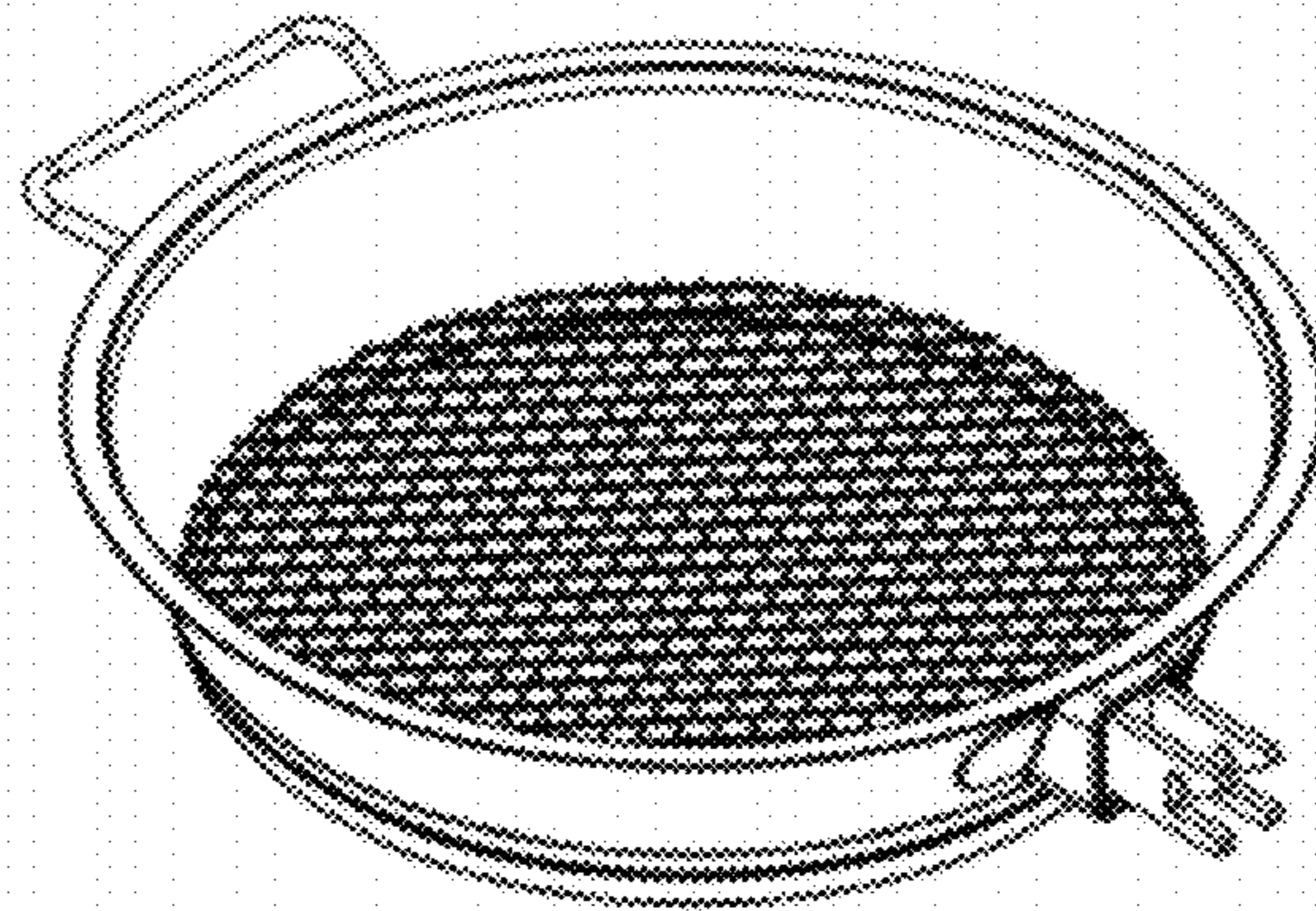


Fig. 6



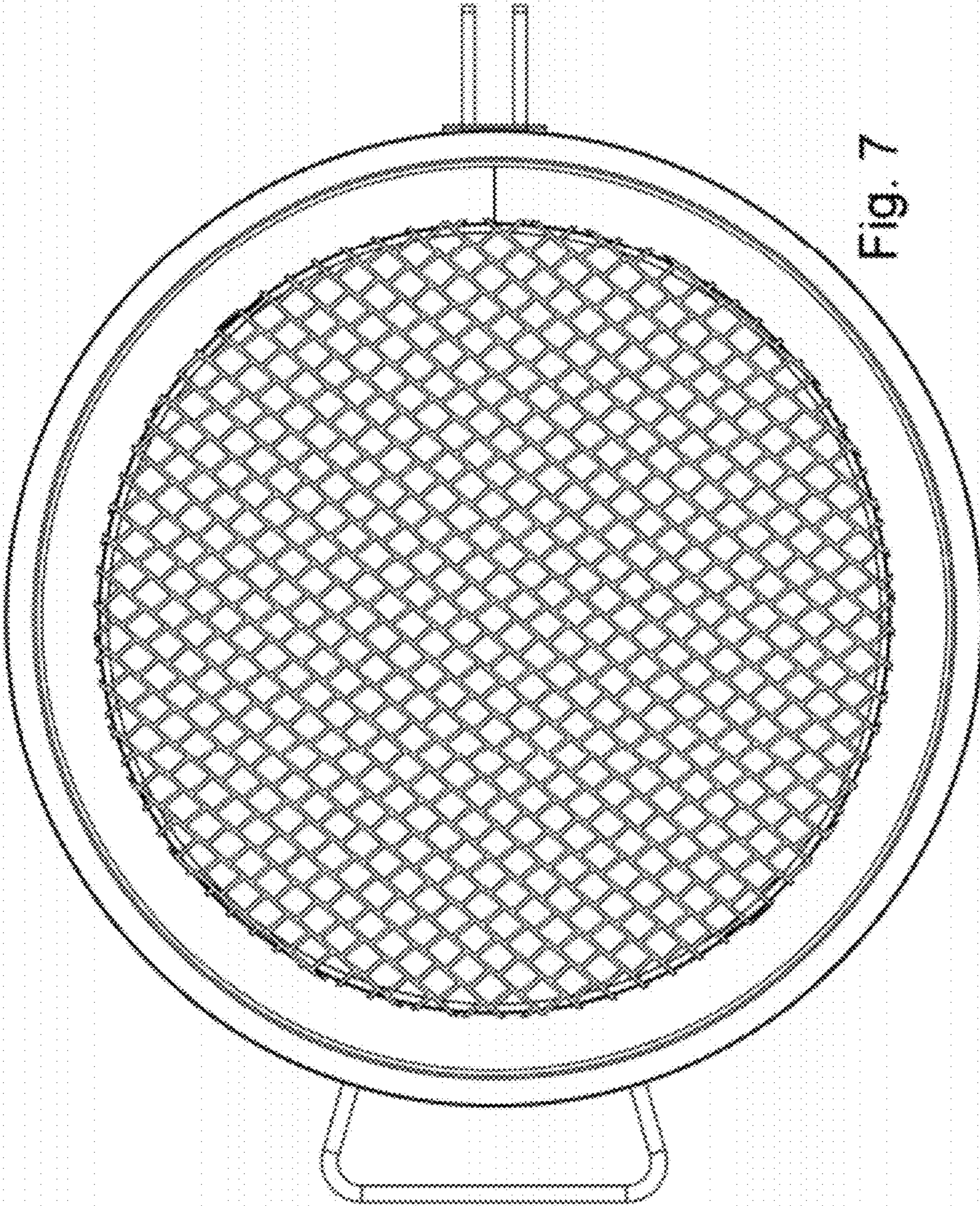


Fig. 7



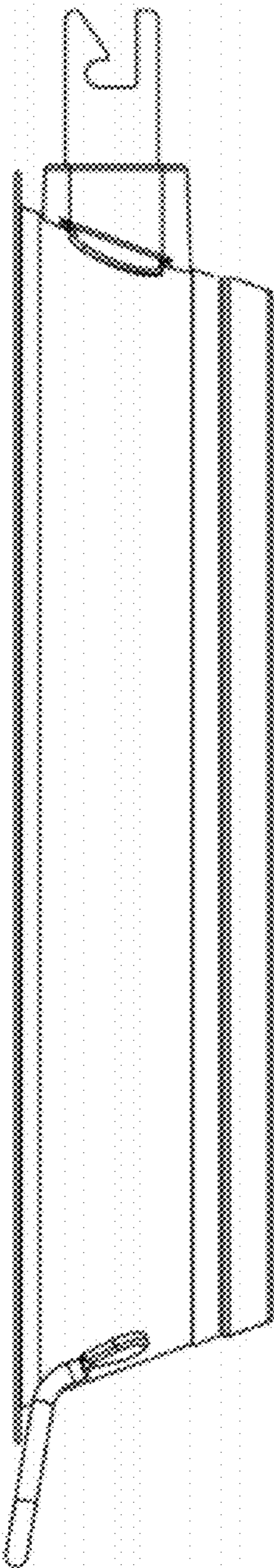


Fig. 8

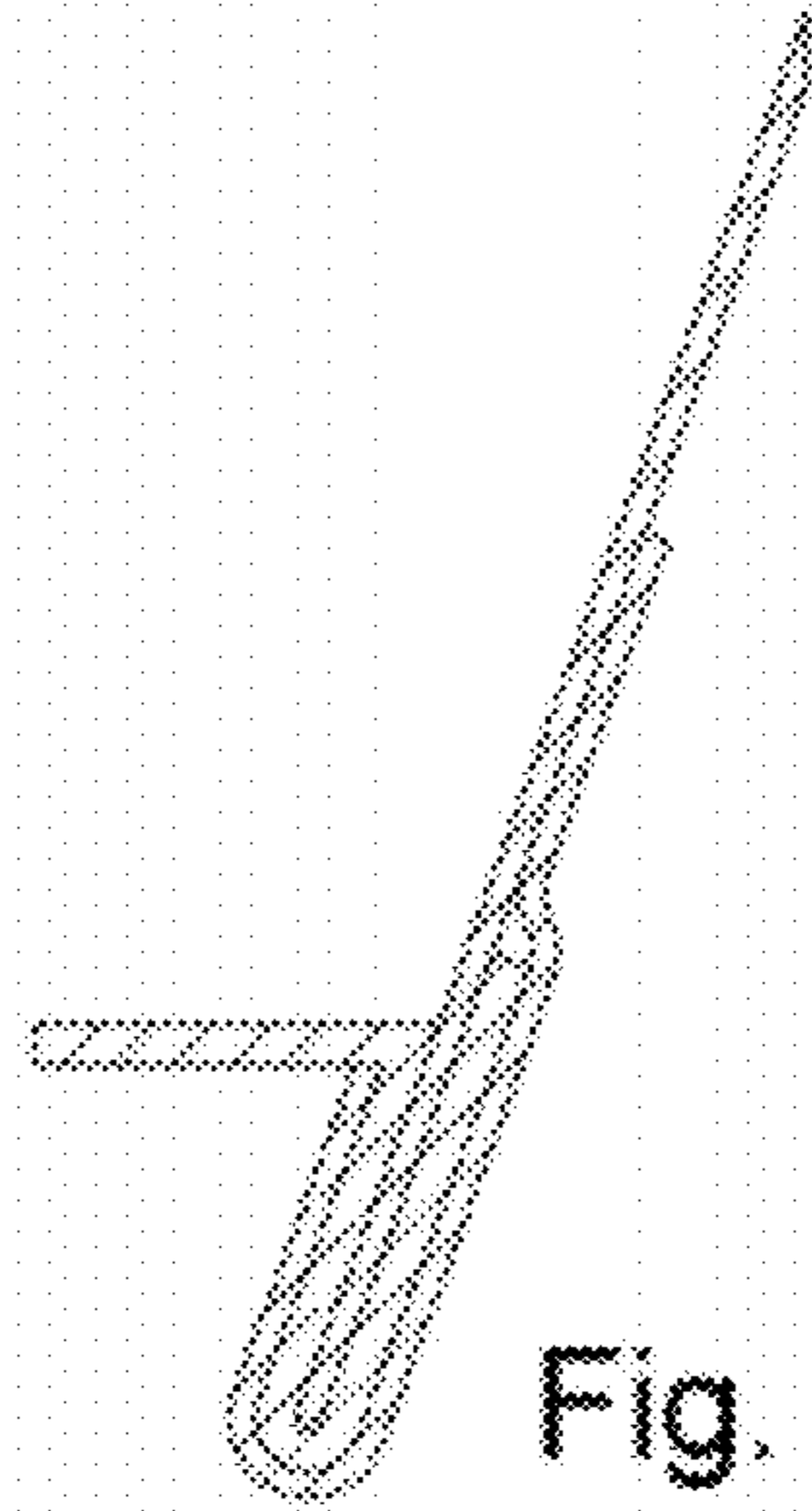


Fig. 9

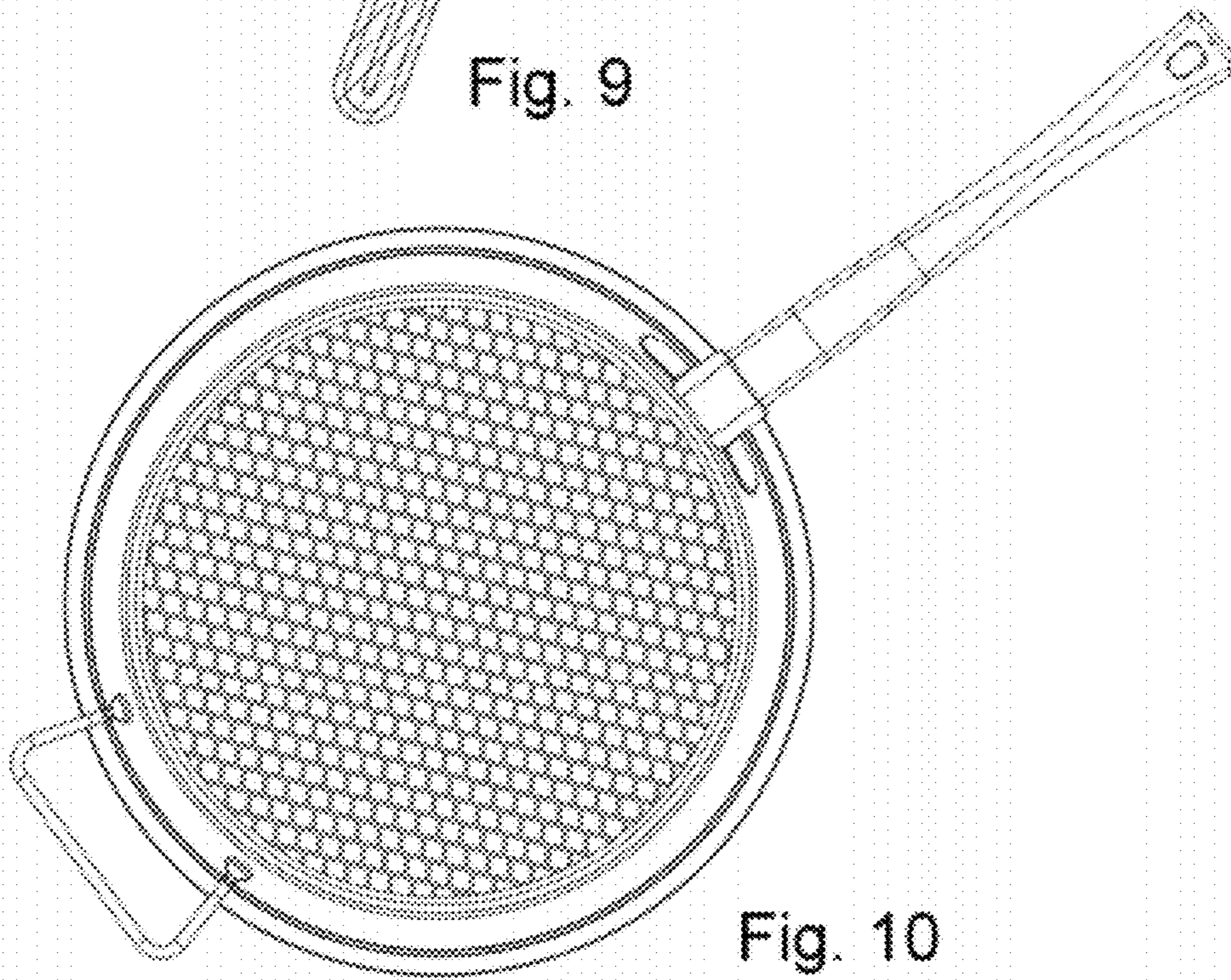


Fig. 10