



US00D677514S

(12) **United States Design Patent**
Sarnoff et al.

(10) **Patent No.:** **US D677,514 S**
(45) **Date of Patent:** **** Mar. 12, 2013**

(54) **PAN WITH HANDLES**

(75) Inventors: **Norton Sarnoff**, Northbrook, IL (US);
Raj Patel, Zurich, IL (US)

(73) Assignee: **Handi-Foil Corporation**, Wheeling, IL (US)

(**) Term: **14 Years**

(21) Appl. No.: **29/418,653**

(22) Filed: **Apr. 19, 2012**

(51) **LOC (9) Cl.** **07-02**

(52) **U.S. Cl.** **D7/360; D7/354**

(58) **Field of Classification Search** D3/307;
D7/323, 329-331, 337, 339, 346-347, 350.1-350.4,
D7/352-367, 388, 391, 393, 395, 402, 407-410,
D7/538, 542, 672-674; 99/324-325, 331-332,
99/337-349, 358, 369-376, 380, 389, 400-418,
99/422-426, 444-446, 483; 126/9 B, 37 R,
126/261, 378.1; 206/501-505, 507-508;
219/386, 400, 405, 429-442, 450.1, 452.13,
219/460.1, 620-624, 725, 730-735; 220/23.8,
220/315, 573.1-573.5, 629, 743, 756, 769,
220/912; 426/438, 441, 549

See application file for complete search history.

(56) **References Cited**

U.S. PATENT DOCUMENTS

4,852,760	A *	8/1989	Sarnoff et al.	220/743
4,969,569	A *	11/1990	Anders	220/629
4,971,216	A *	11/1990	Fortune	220/756
5,029,721	A *	7/1991	Timpe	220/769
D333,235	S *	2/1993	Bertelsen	D7/388
5,203,254	A *	4/1993	Fletcher	99/426
5,339,728	A *	8/1994	Marchwiak et al.	99/426
5,511,467	A *	4/1996	Motley et al.	99/426
D395,548	S *	6/1998	Morissette	D3/307
6,213,005	B1 *	4/2001	Sherman et al.	99/426
6,237,803	B1 *	5/2001	Sarnoff et al.	220/743
D472,423	S *	4/2003	Swinford et al.	D7/359
D630,886	S *	1/2011	Thanasouk	D7/360

* cited by examiner

Primary Examiner — Ricky Pham

(74) *Attorney, Agent, or Firm* — Adam K. Sacharoff

(57) **CLAIM**

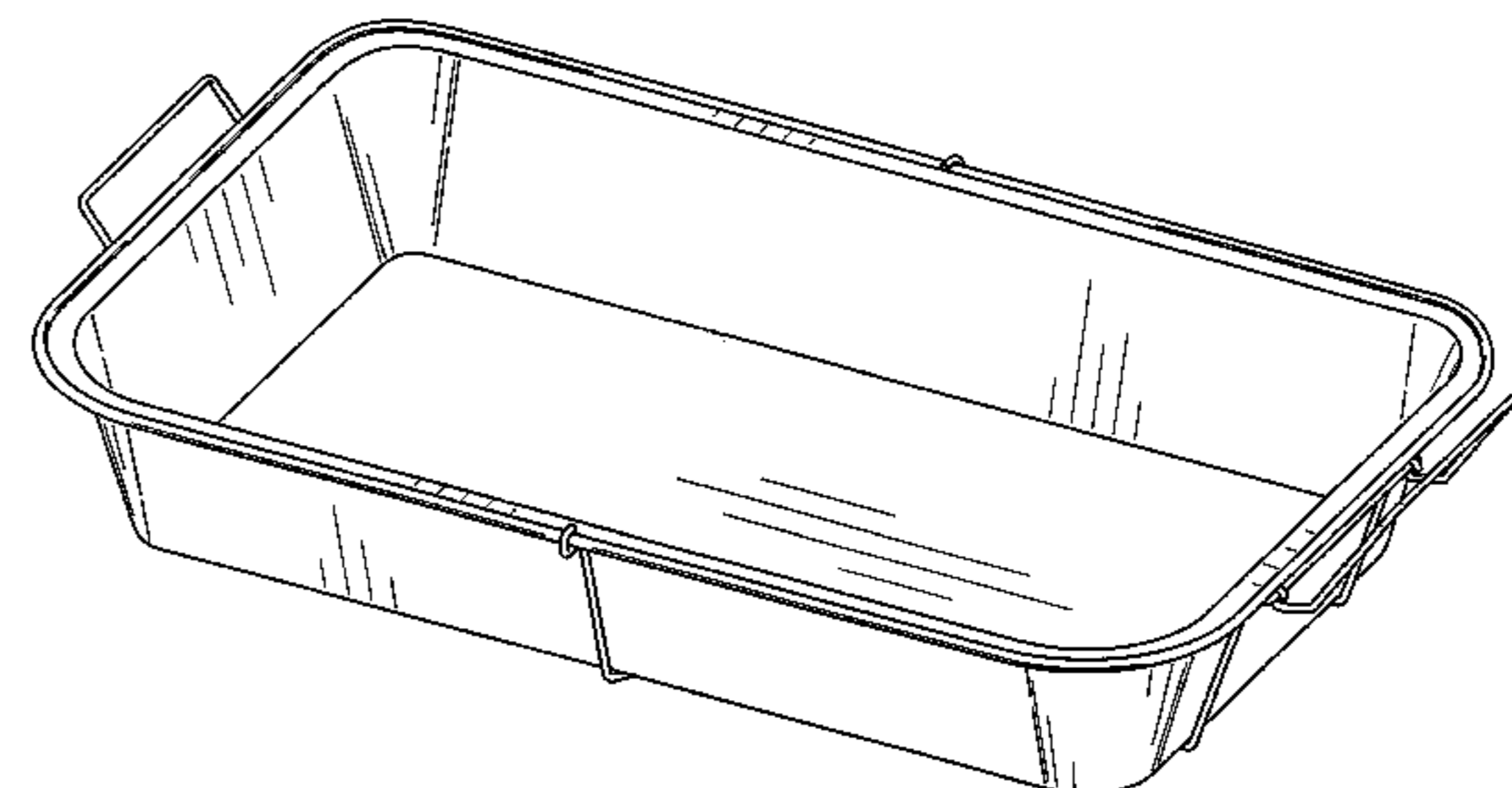
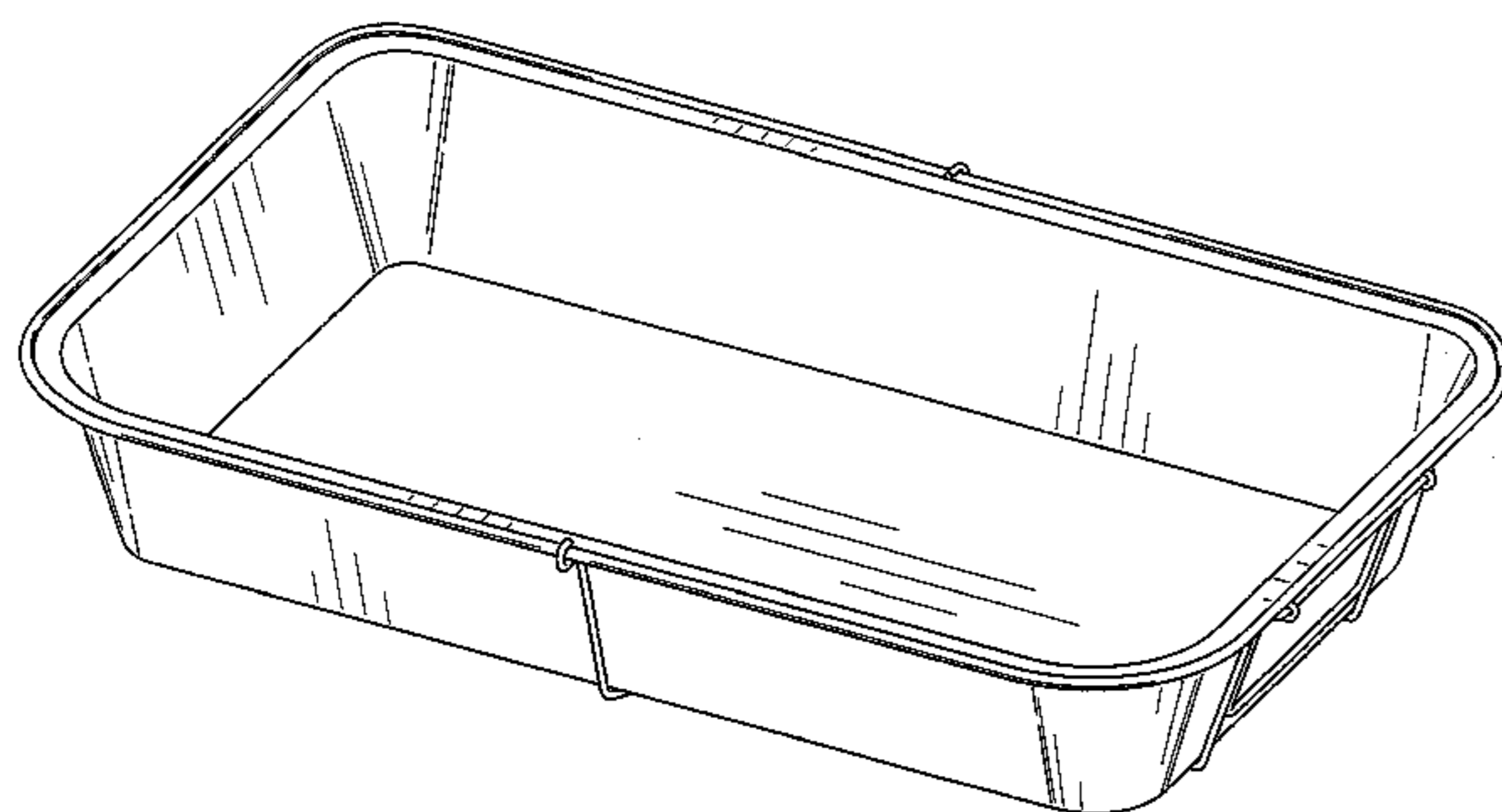
The ornamental design for a pan with handles, as shown and described.

DESCRIPTION

FIG. 1 is a top side perspective view of a pan with handles in accordance with one embodiment of the invention shown; FIG. 2 is a left side view of the pan with handles from FIG. 1; FIG. 3 is a right side view of the pan with handles from FIG. 1; FIG. 4 is a front side view of the pan with handles from FIG. 1; FIG. 5 is a back side view of the pan with handles from FIG. 1; FIG. 6 is a top side view of the pan with handles from FIG. 1; FIG. 7 is a bottom side view of the pan with handles from FIG. 1; FIG. 8 is a bottom side perspective view of the pan with handles from FIG. 1; FIG. 9 is a top side perspective view of a pan with handles in accordance with a second embodiment of the invention showing the handles in an upright position; FIG. 10 is a left side view of the pan with handles from FIG. 9; FIG. 11 is a right side view of the pan with handles from FIG. 9; FIG. 12 is a front side view of the pan with handles from FIG. 9; FIG. 13 is a back side view of the pan with handles from FIG. 9; FIG. 14 is a top side view of the pan with handles from FIG. 9; FIG. 15 is a bottom side view of the pan with handles from FIG. 9; and, FIG. 16 is a bottom side perspective view of the pan with handles from FIG. 9.

The surface lines are for the purpose of illustrating surface structure and form no part of the claimed design.

1 Claim, 12 Drawing Sheets



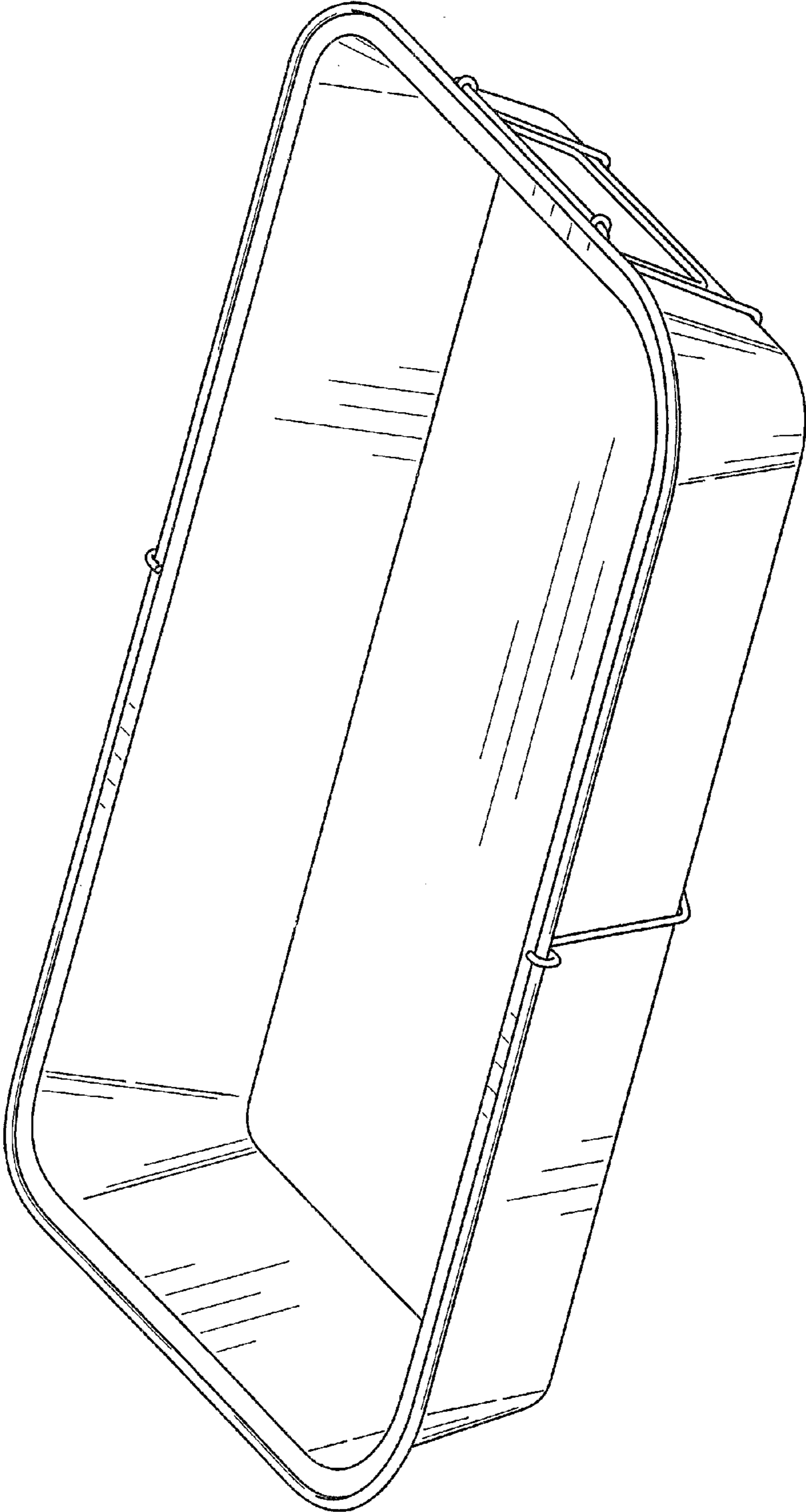


FIG. 1

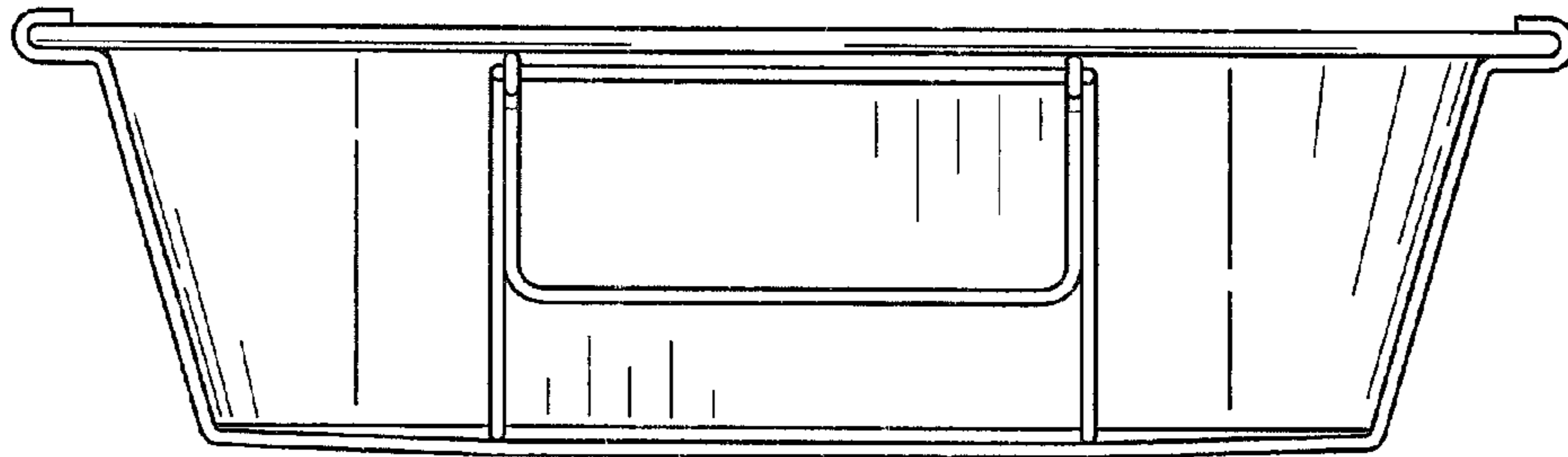


FIG. 2

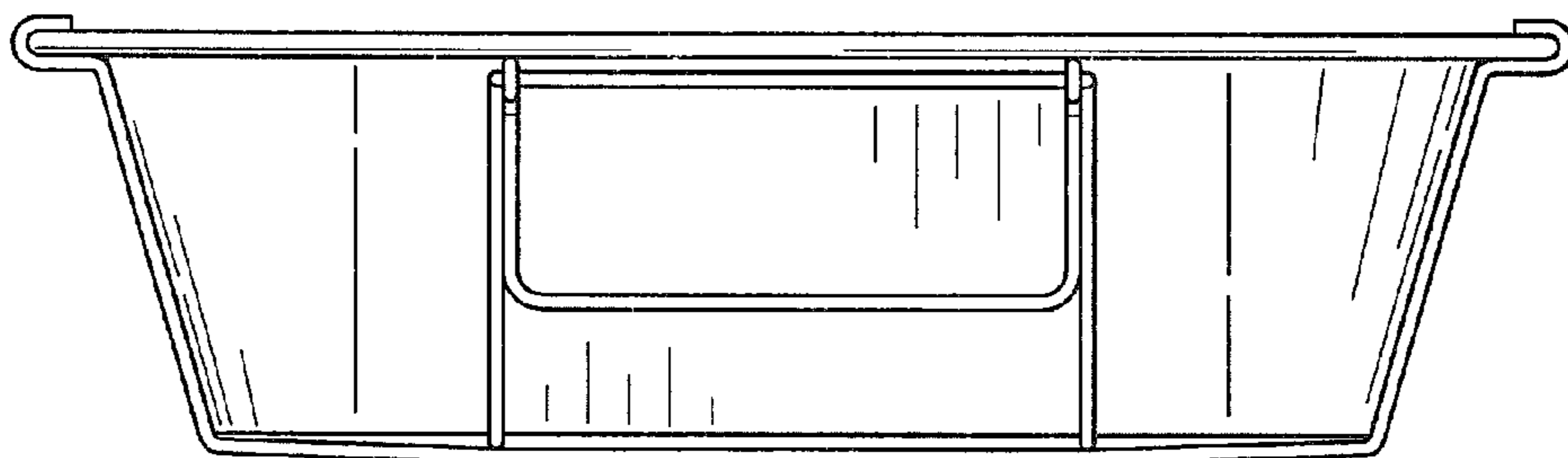


FIG. 3

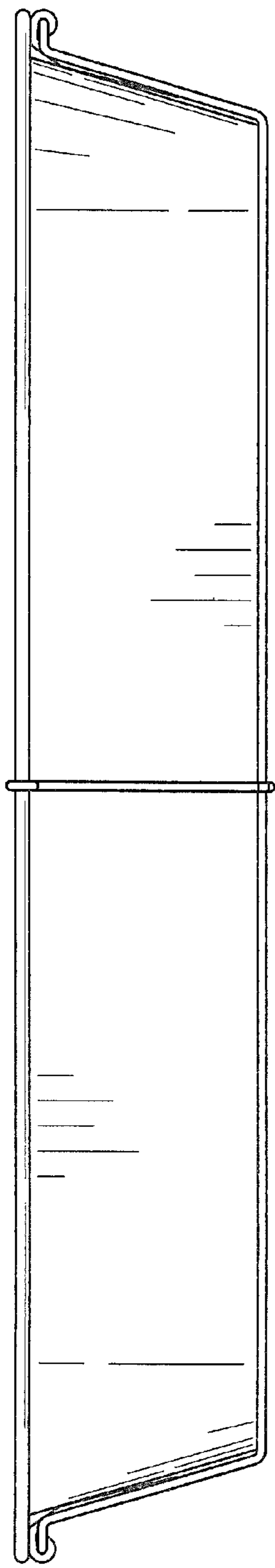


FIG. 4

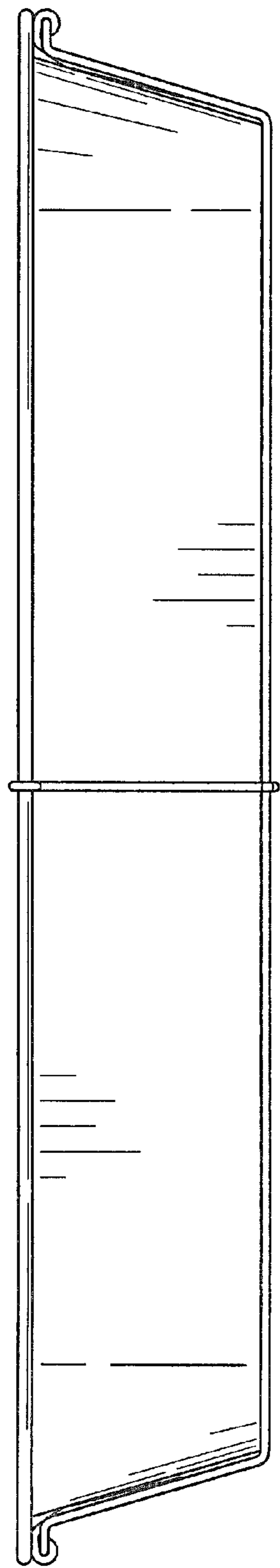


FIG. 5

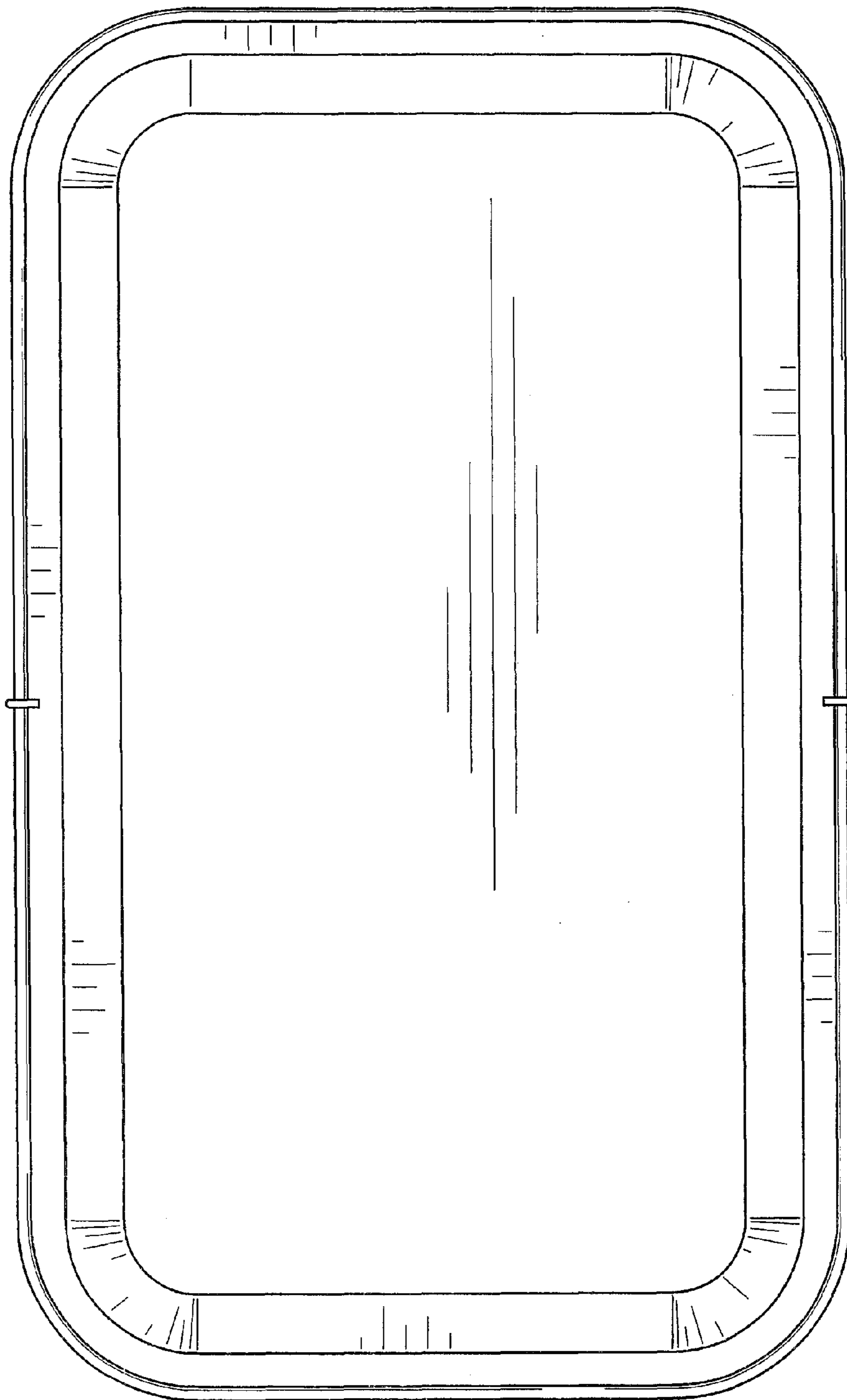


FIG. 6

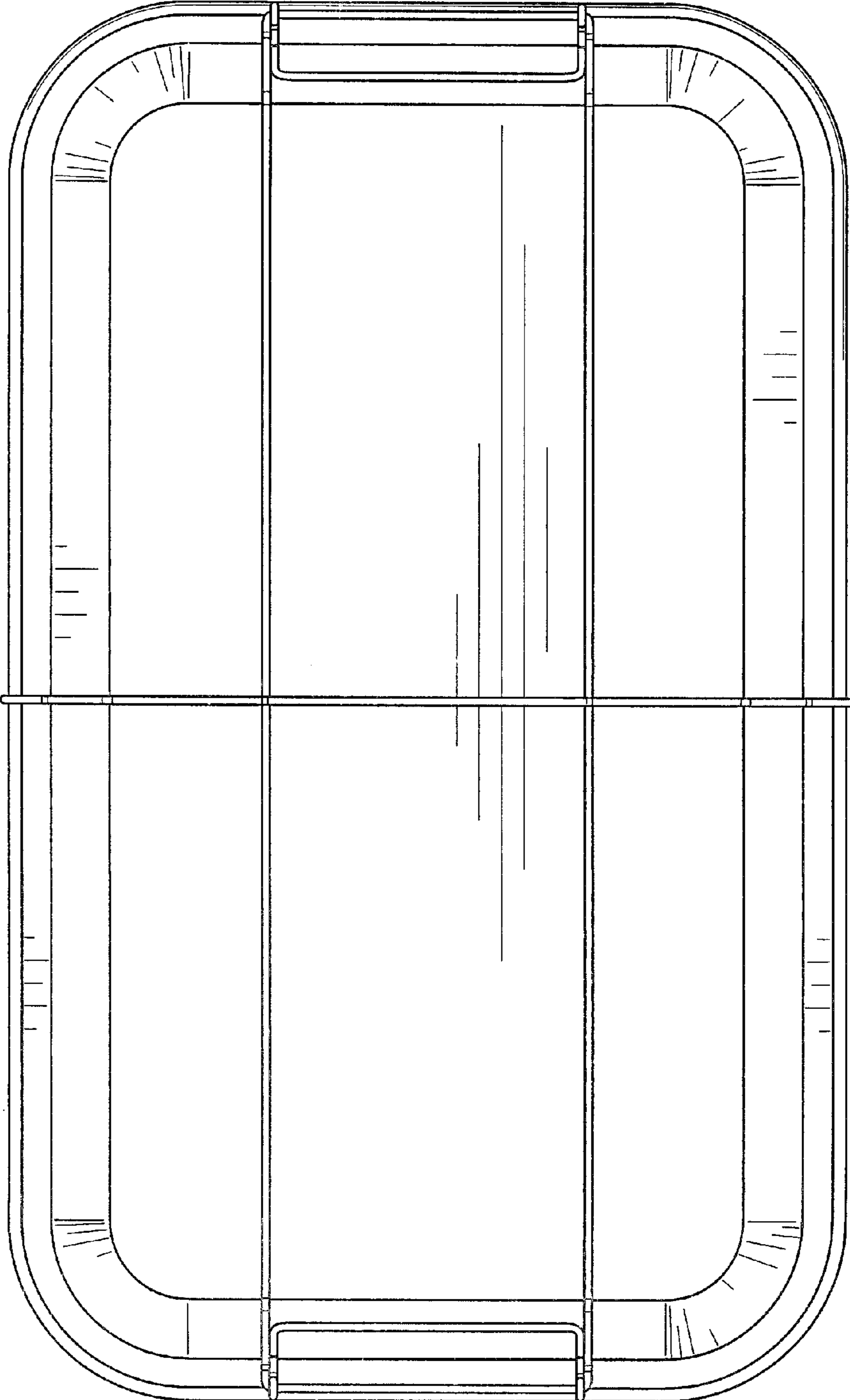


FIG. 7

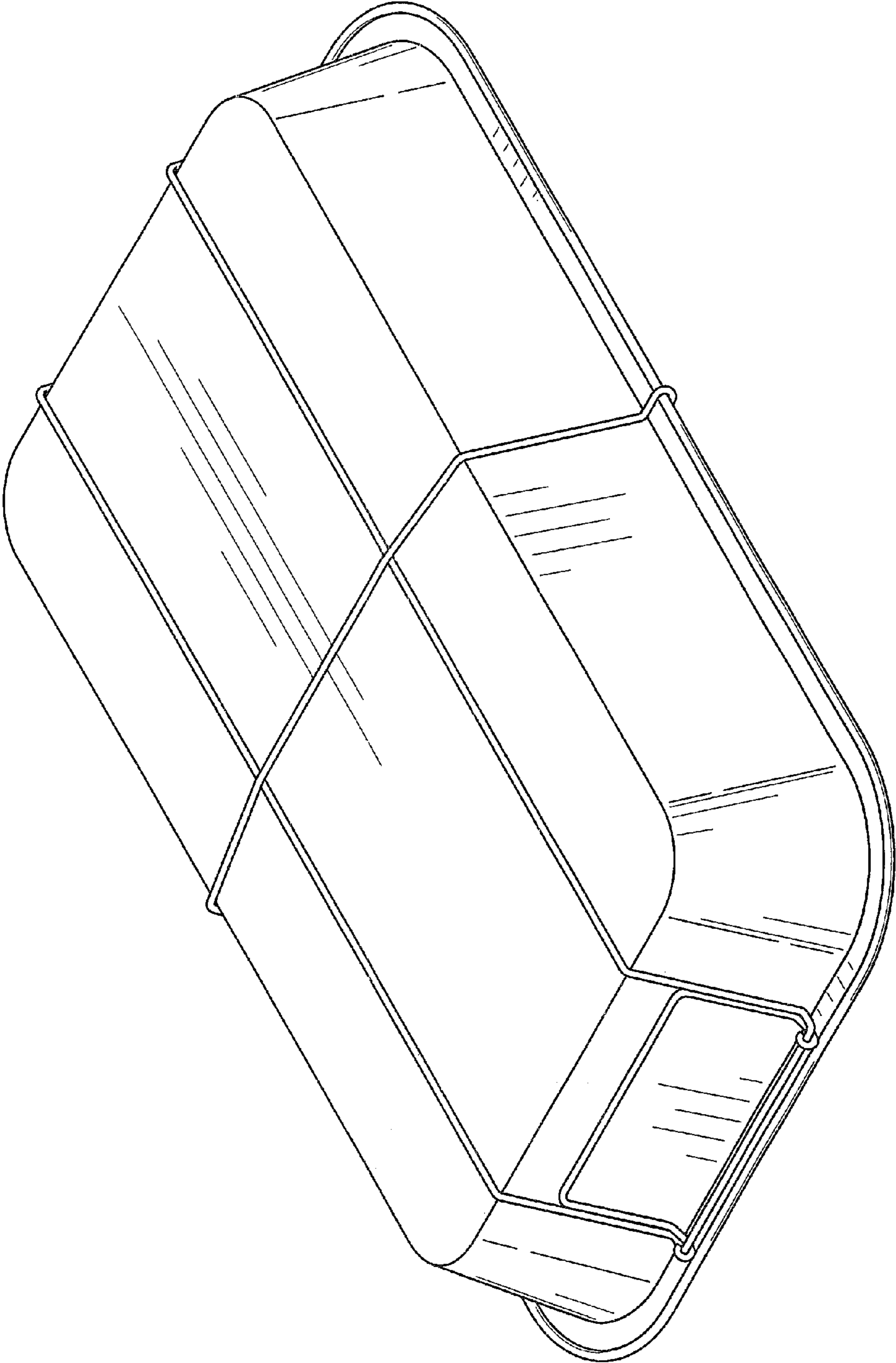


FIG. 8

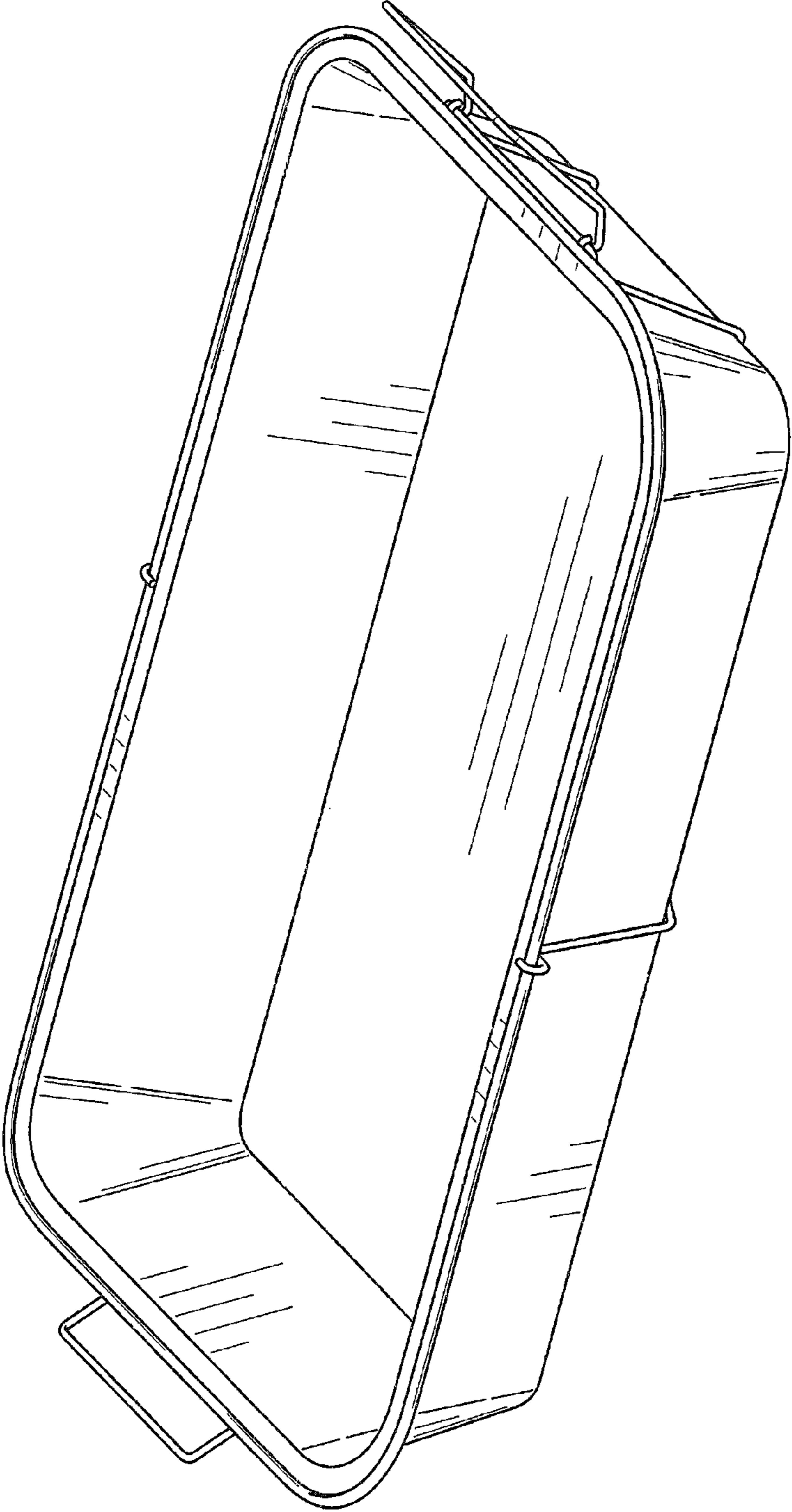


FIG. 9

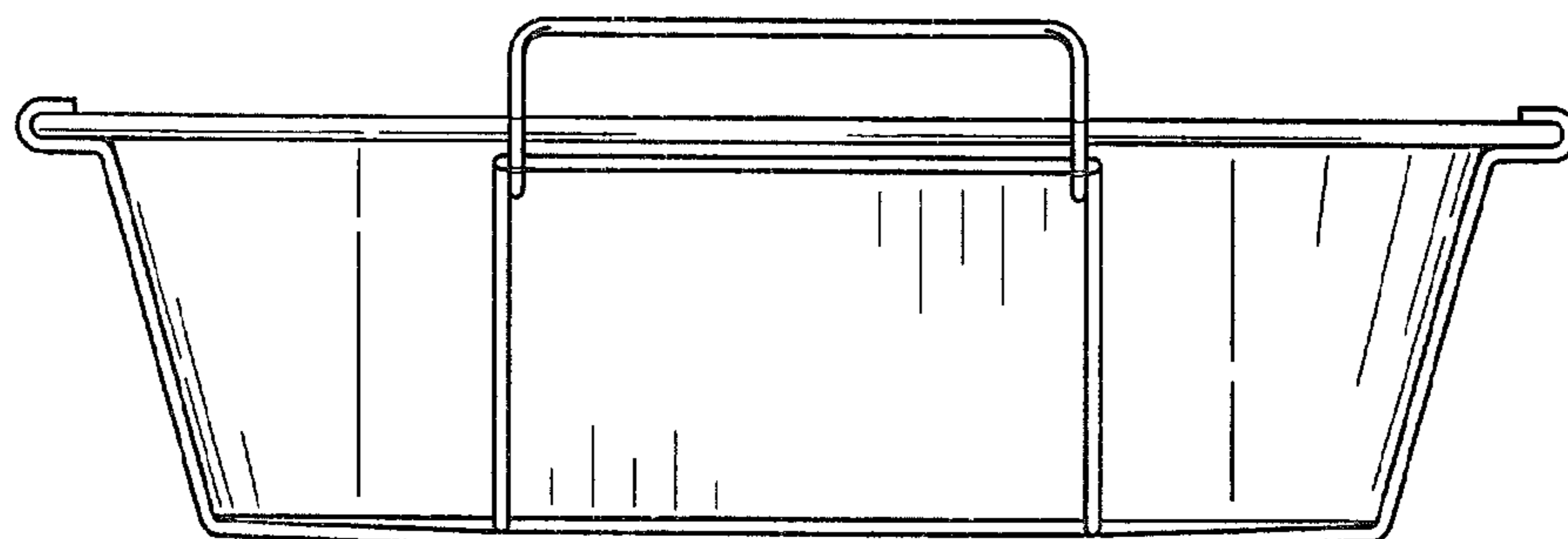


FIG. 10

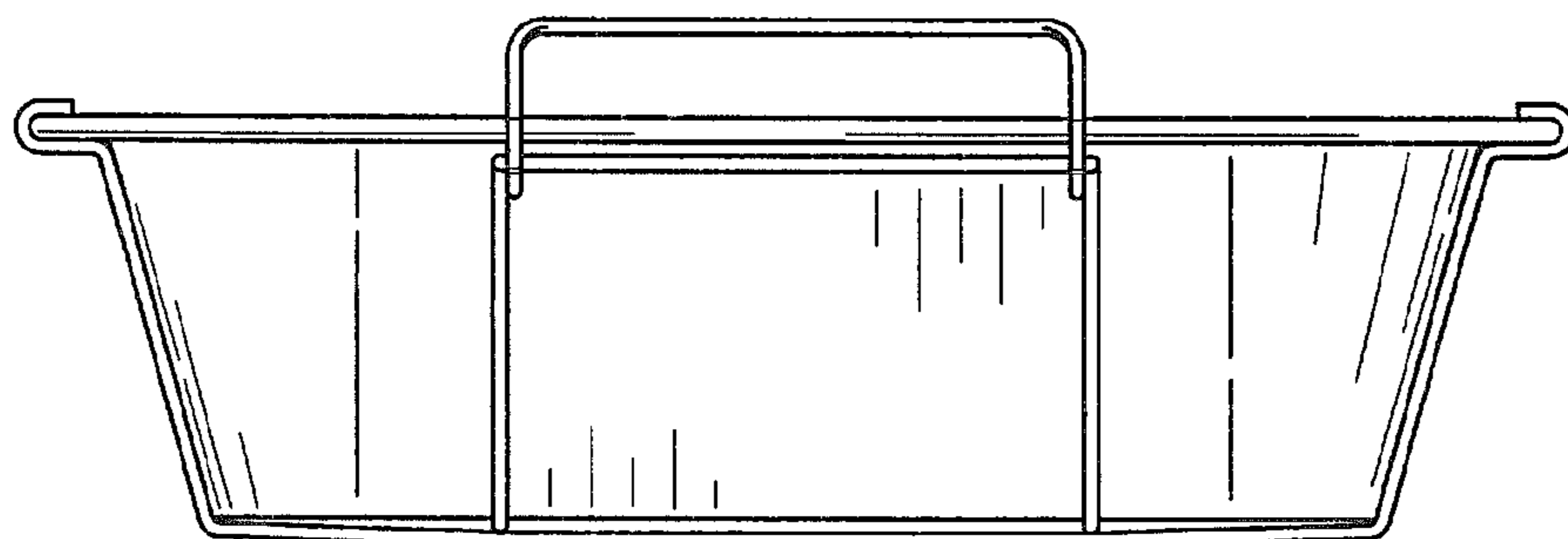


FIG. 11

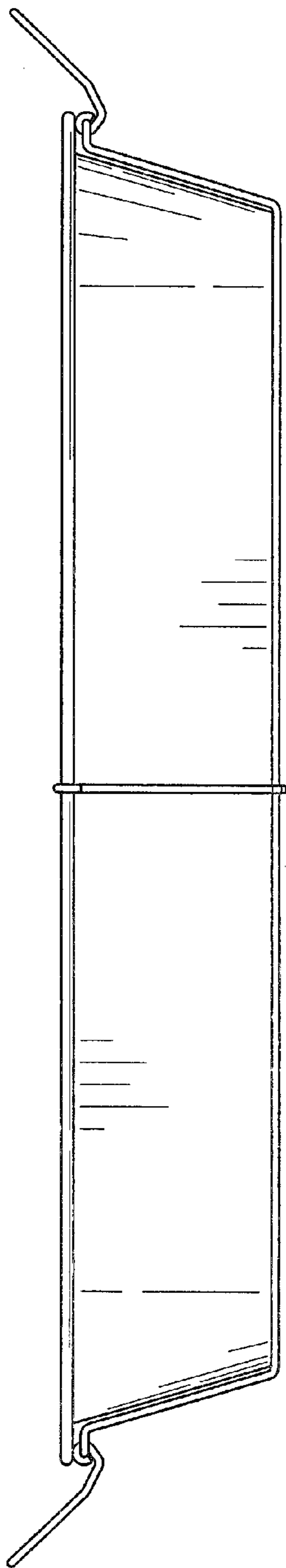


FIG. 12

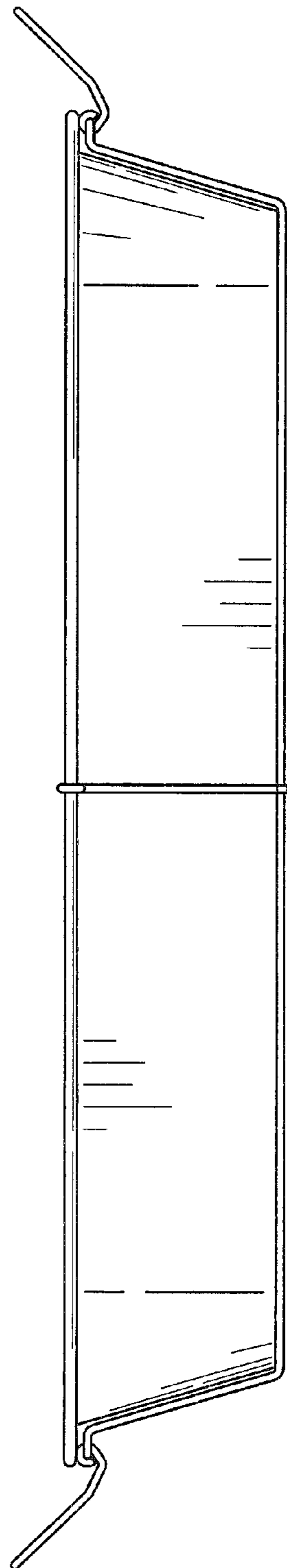


FIG. 13

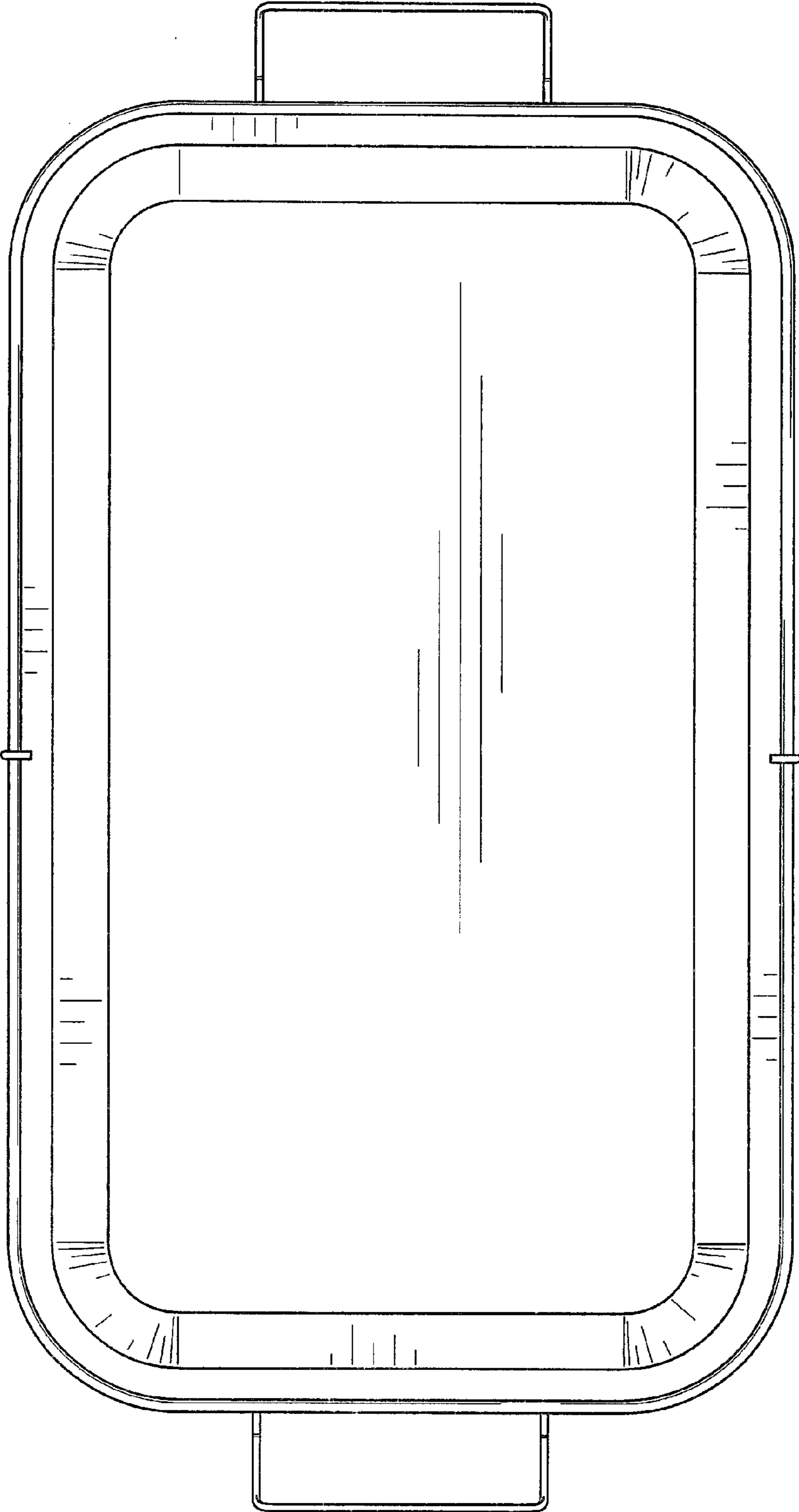


FIG. 14

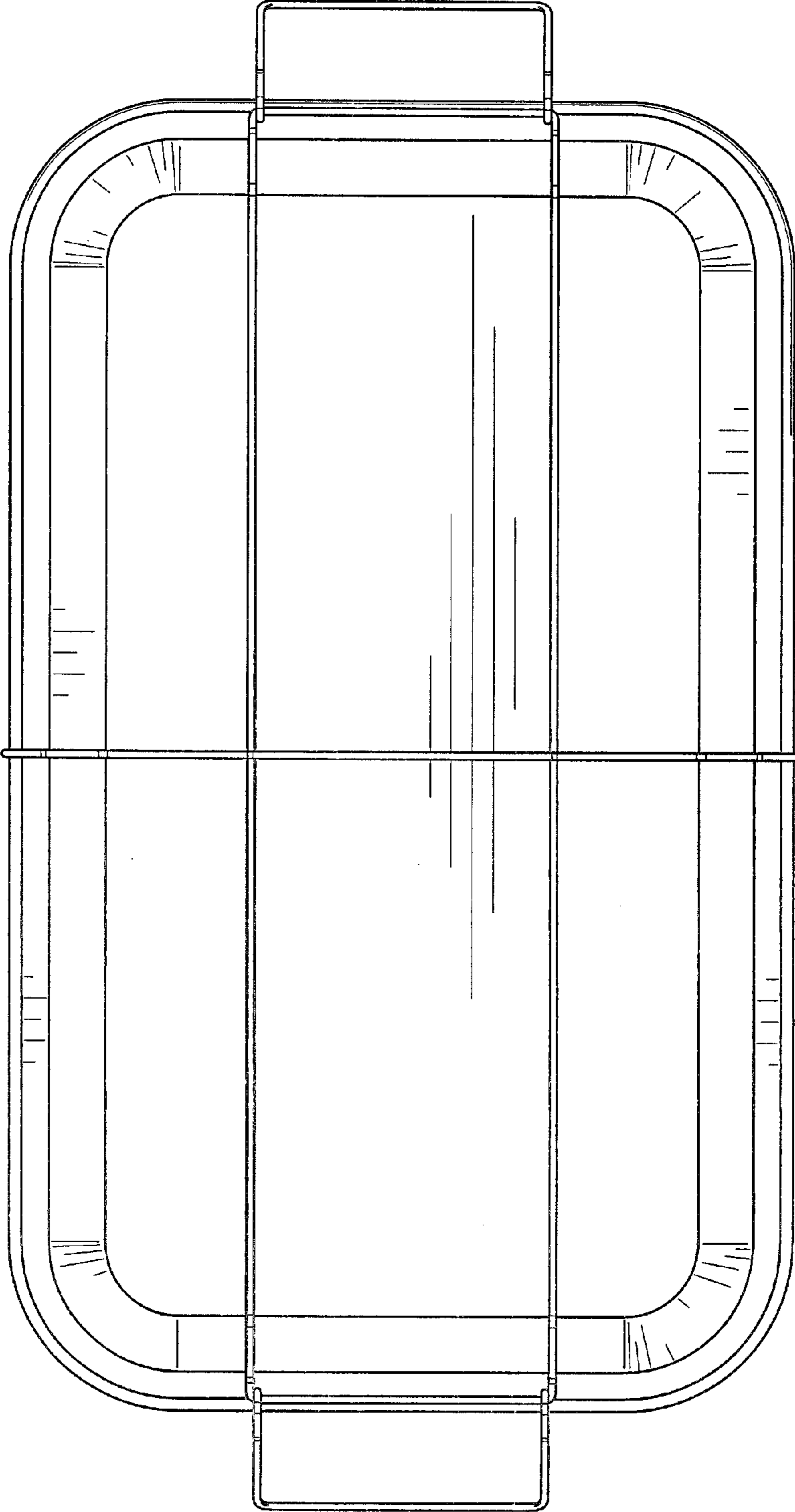


FIG. 15

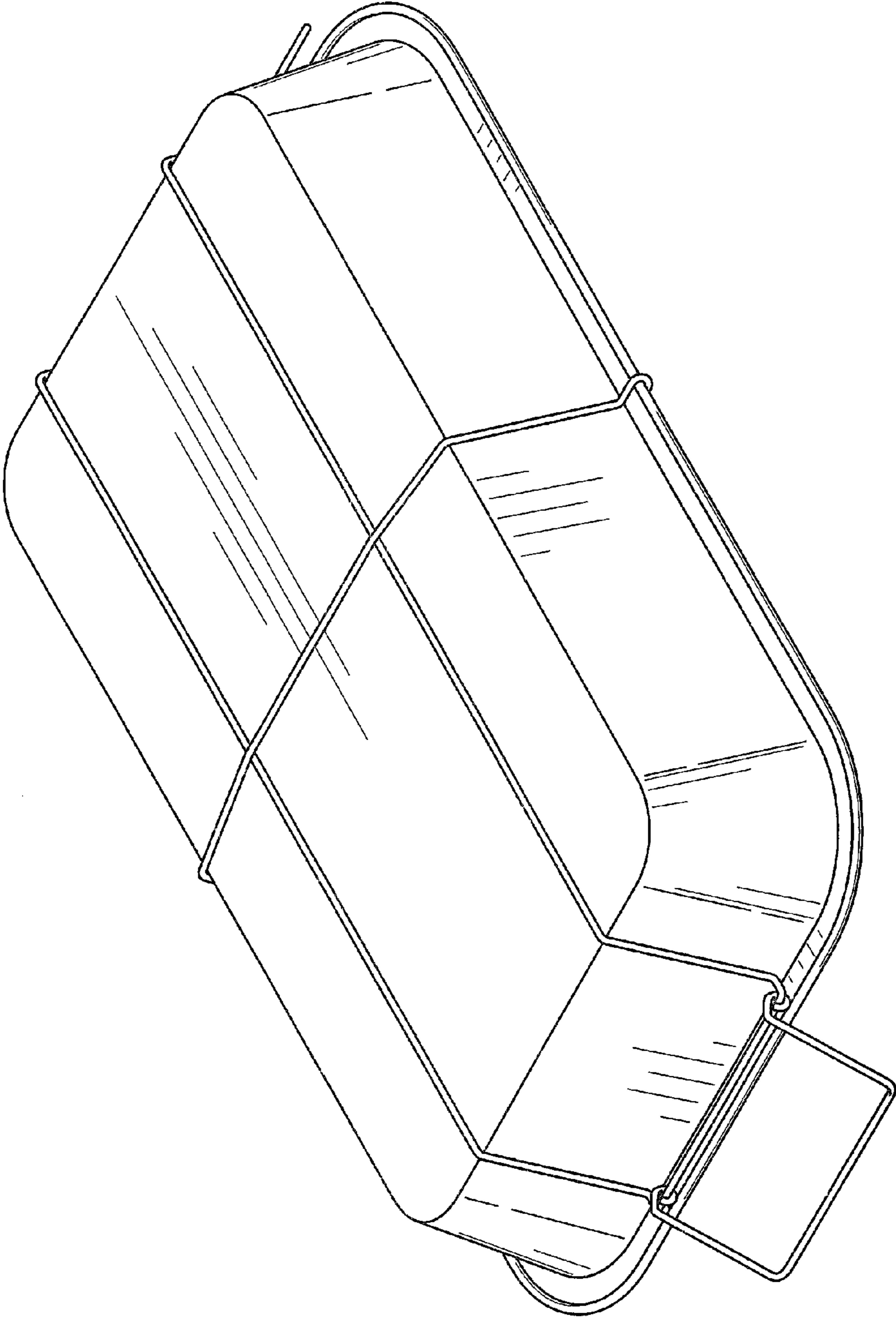


FIG. 16