



US00D677512S

(12) **United States Design Patent**  
**Bodum**

(10) **Patent No.:** **US D677,512 S**  
(45) **Date of Patent:** **\*\* Mar. 12, 2013**

(54) **GAS GRILL**

(75) Inventor: **Jorgen Bodum**, Meggen (CH)

(73) Assignee: **PI-Design AG**, Triengen (CH)

(\*\*) Term: **14 Years**

(21) Appl. No.: **29/404,484**

(22) Filed: **Oct. 21, 2011**

(30) **Foreign Application Priority Data**

Sep. 9, 2011 (WO) ..... DM/076 721

(51) **LOC (9) Cl.** ..... **07-02**

(52) **U.S. Cl.** ..... **D7/337**

(58) **Field of Classification Search** ..... D7/332,  
D7/334, 337, 402-404, 408-409, 354-355,  
D7/359; 126/27, 44, 25 R, 41 R, 9 R, 40,  
126/50, 38, 39 H, 39 N, 39 K, 39 M; 99/425,  
99/444-447, 450, 482

See application file for complete search history.

(56) **References Cited**

**U.S. PATENT DOCUMENTS**

4,498,452	A *	2/1985	Schlosser et al. ....	126/9 R
4,576,140	A	3/1986	Schlosser	
D284,929	S *	8/1986	Schlosser et al. ....	D7/332
D376,510	S *	12/1996	Ting .....	D7/332
D395,785	S *	7/1998	Lin .....	D7/332
D417,362	S *	12/1999	Ting .....	D7/402
D427,840	S *	7/2000	Pai .....	D7/332
D463,707	S *	10/2002	Bossler .....	D7/332
D501,115	S *	1/2005	Zhang .....	D7/332

D504,798	S *	5/2005	Nipke et al. ....	D7/402
D508,364	S *	8/2005	Nipke et al. ....	D7/334
D511,640	S *	11/2005	Nipke et al. ....	D7/337
D637,034	S *	5/2011	Bodum .....	D7/337

**FOREIGN PATENT DOCUMENTS**

WO	DM/072218	8/2009
WO	DM/073963	7/2010

**OTHER PUBLICATIONS**

Page from website <http://contento-shop.com/cmd/shop/a/Detail/pid/672055/cid/2001/Contento-BBQ-Kugelgrill-schwarz/>.

Page from website <http://weberstephen.ch/Default.aspx?ID=129&GroupID=GROUP16&ProductID=PROD643&pagetitle=Sm.>

\* cited by examiner

*Primary Examiner* — Ruth McInroy

(74) *Attorney, Agent, or Firm* — Sughrue Mion, PLLC

(57) **CLAIM**

The ornamental design for a gas grill, as shown and described.

**DESCRIPTION**

FIG. 1 is a perspective view of a gas grill showing my new design;

FIG. 2 is a front side view thereof;

FIG. 3 is a back side view thereof;

FIG. 4 is a left side view thereof;

FIG. 5 is a right side view thereof;

FIG. 6 is a top view thereof; and,

FIG. 7 is a bottom view thereof.

The broken lines depict environmental subject matter only and form no part of the claimed design.

**1 Claim, 7 Drawing Sheets**

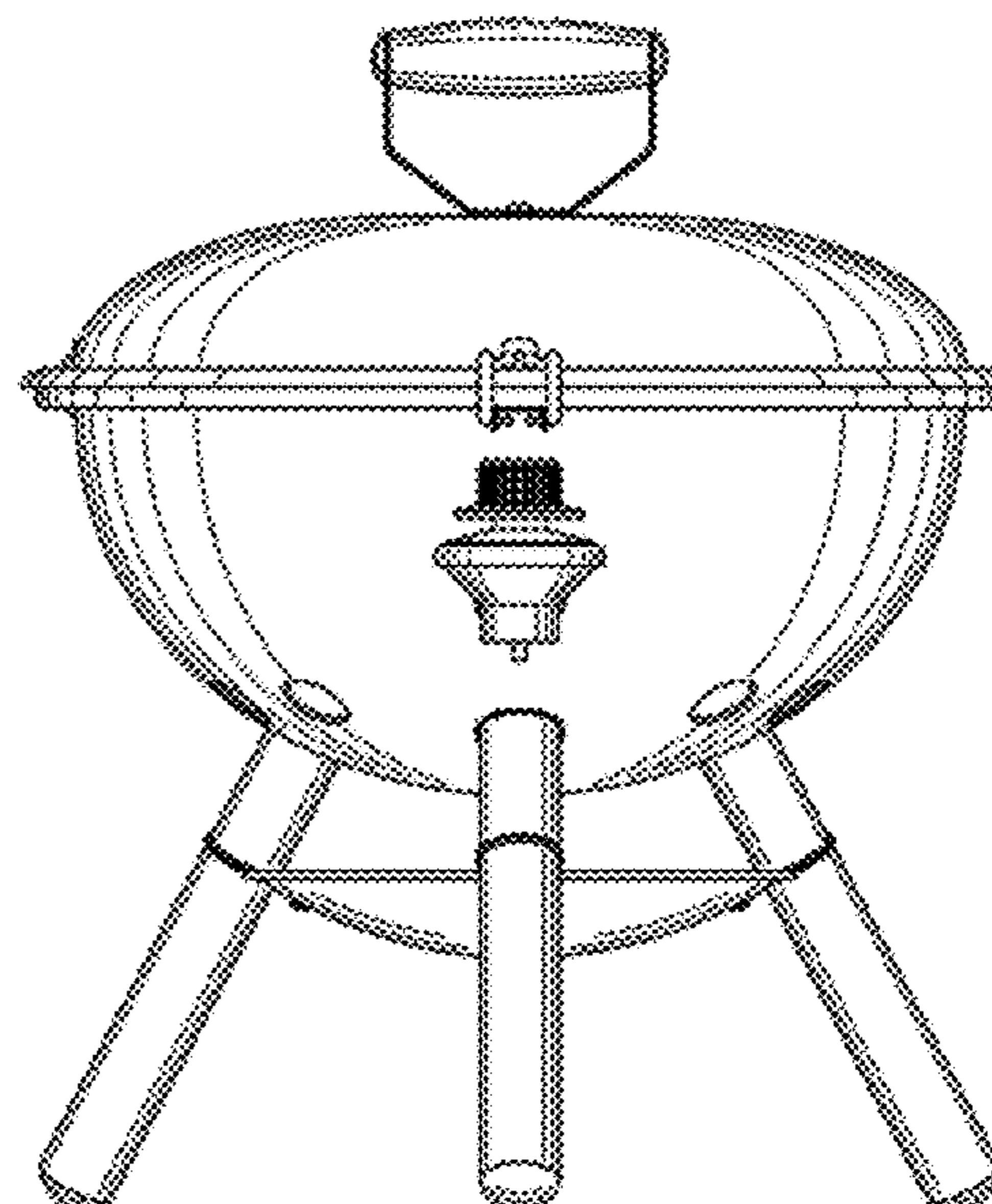
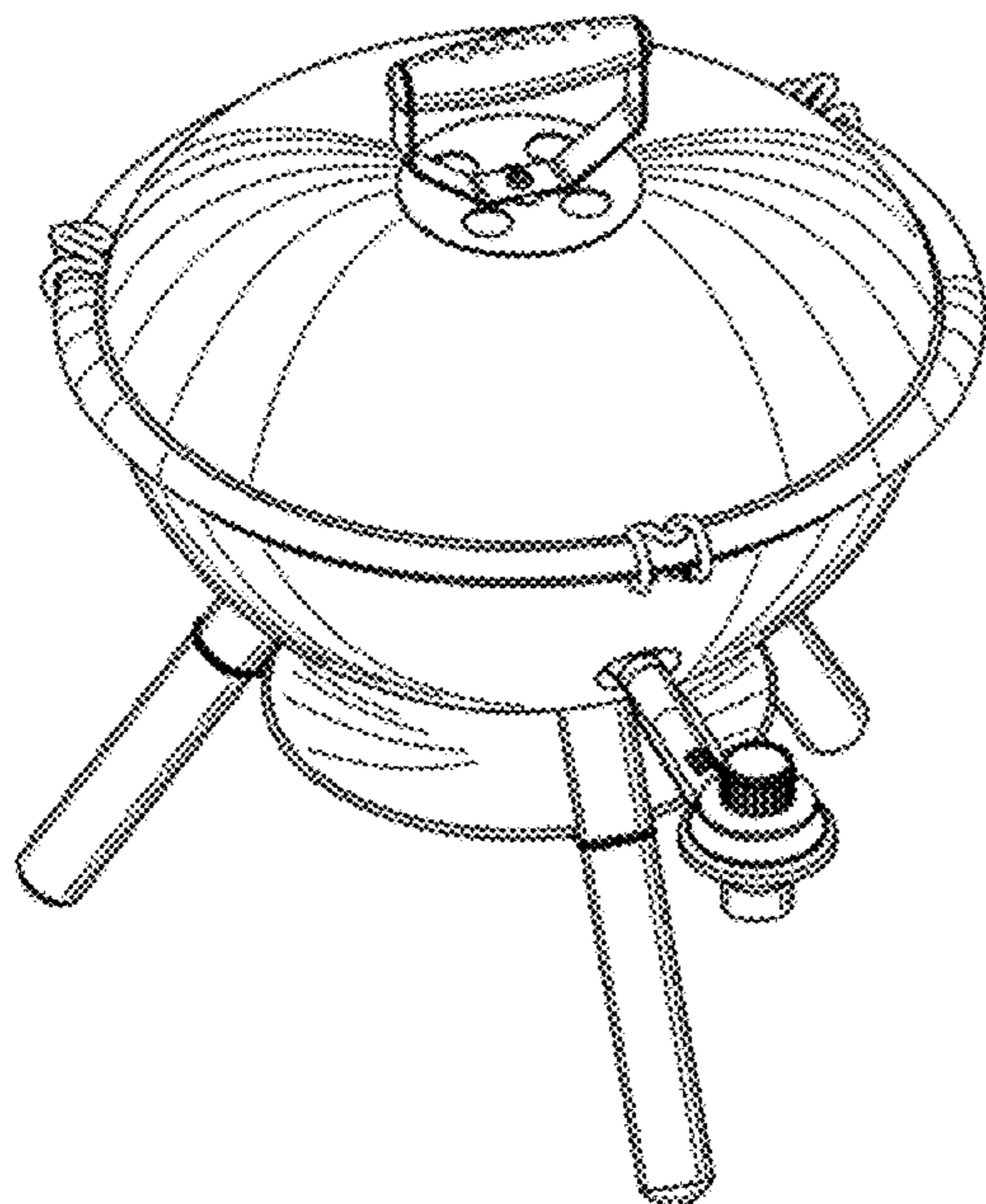


Figure 1

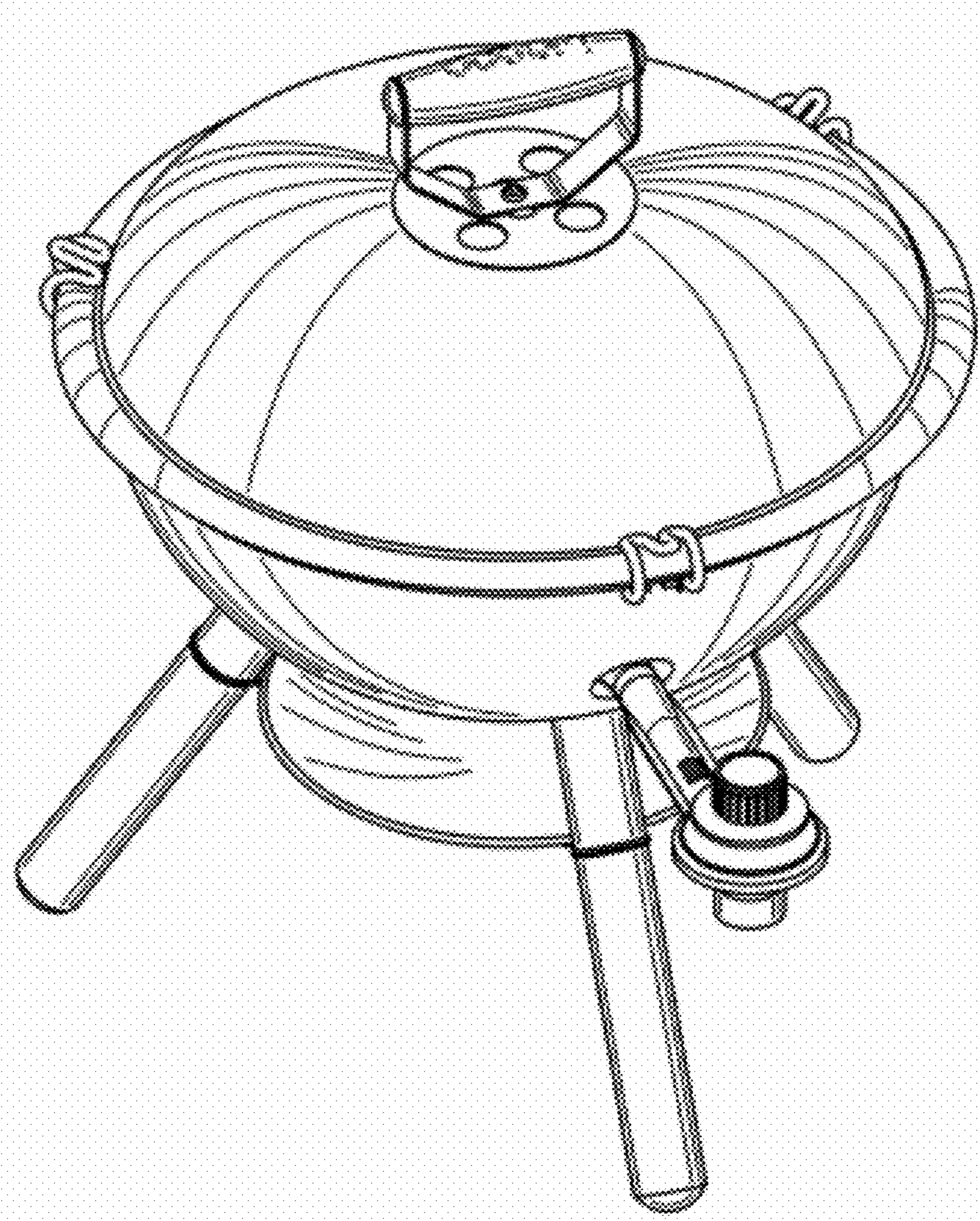


Figure 2

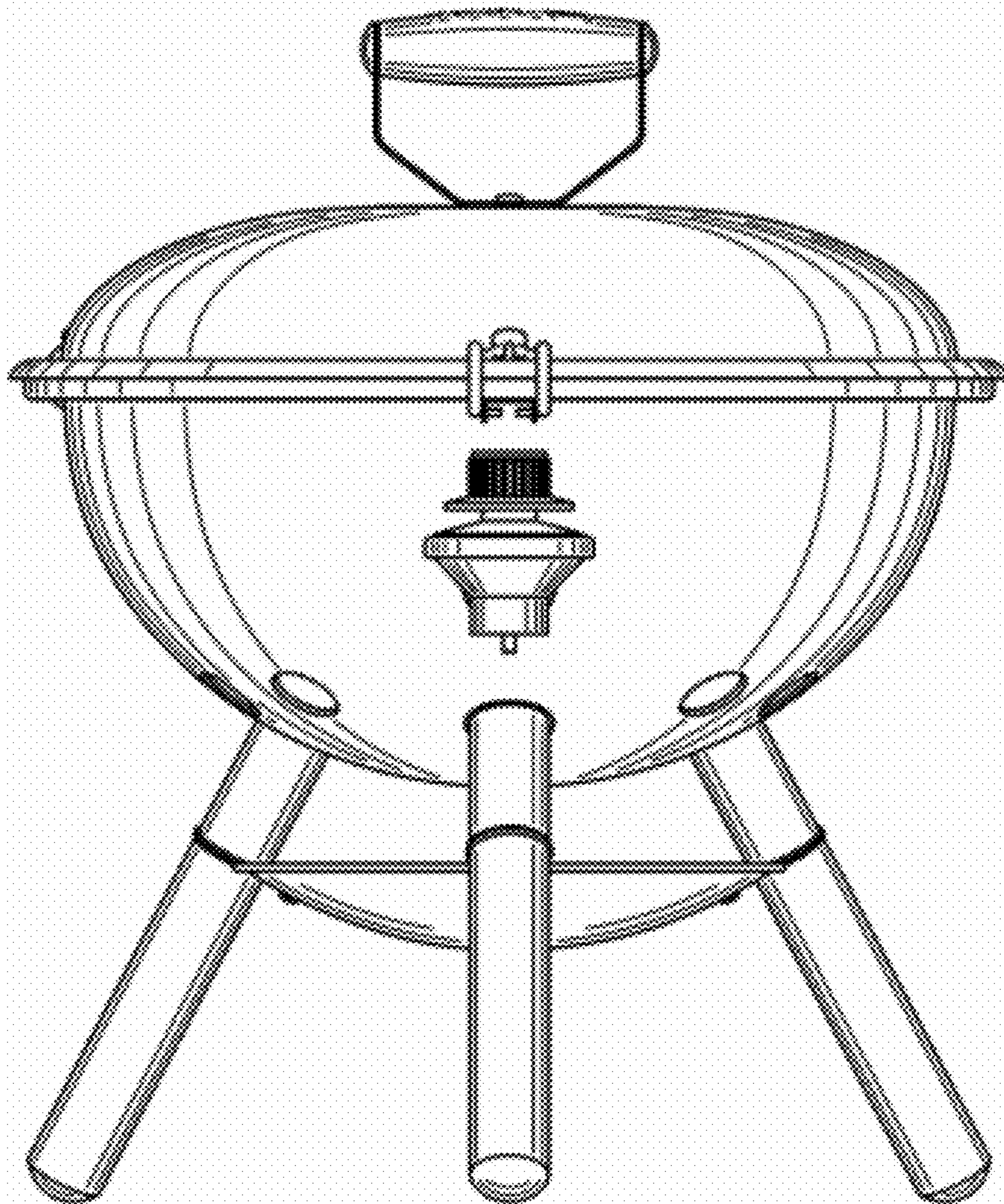


Figure 3

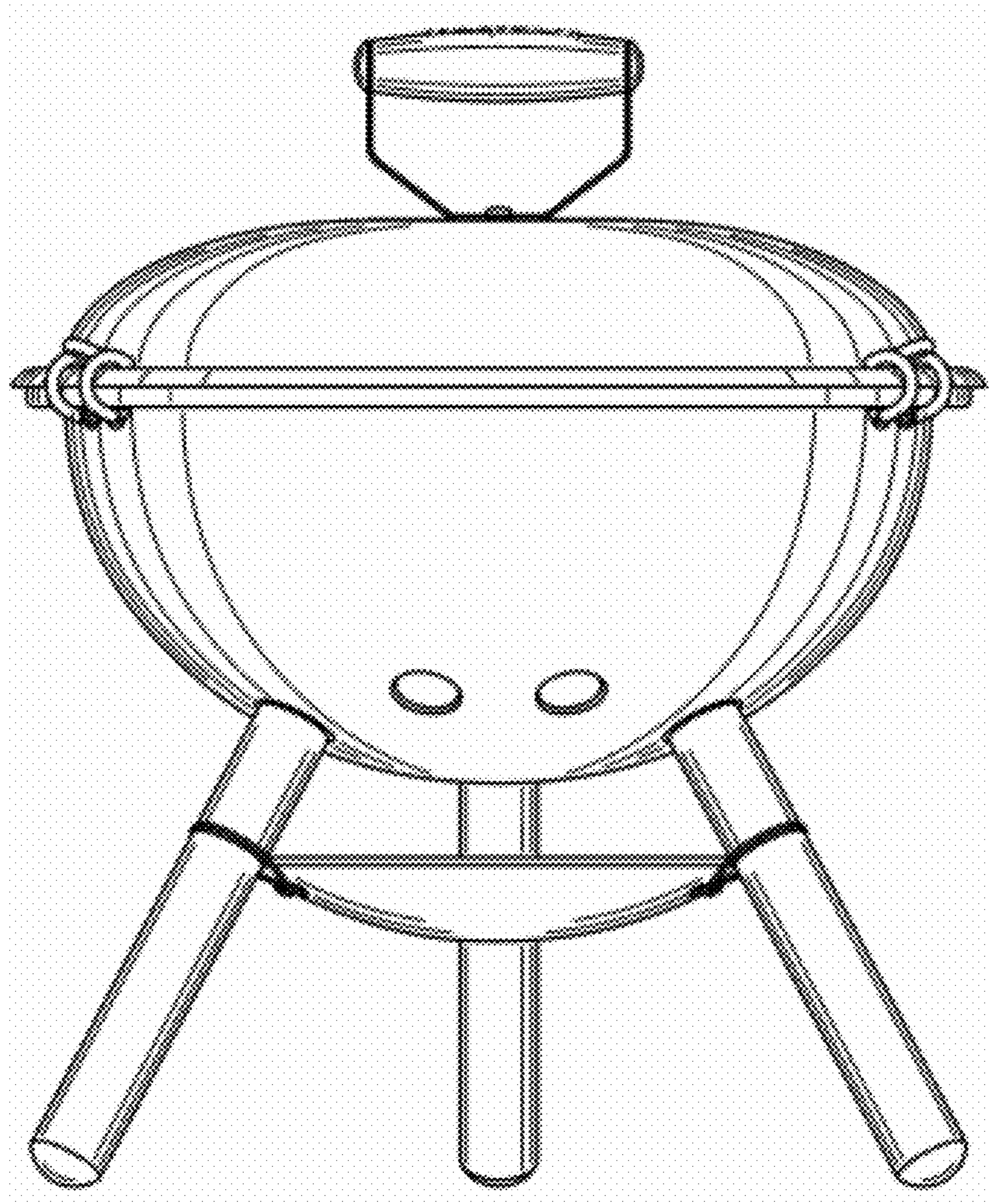


Figure 4

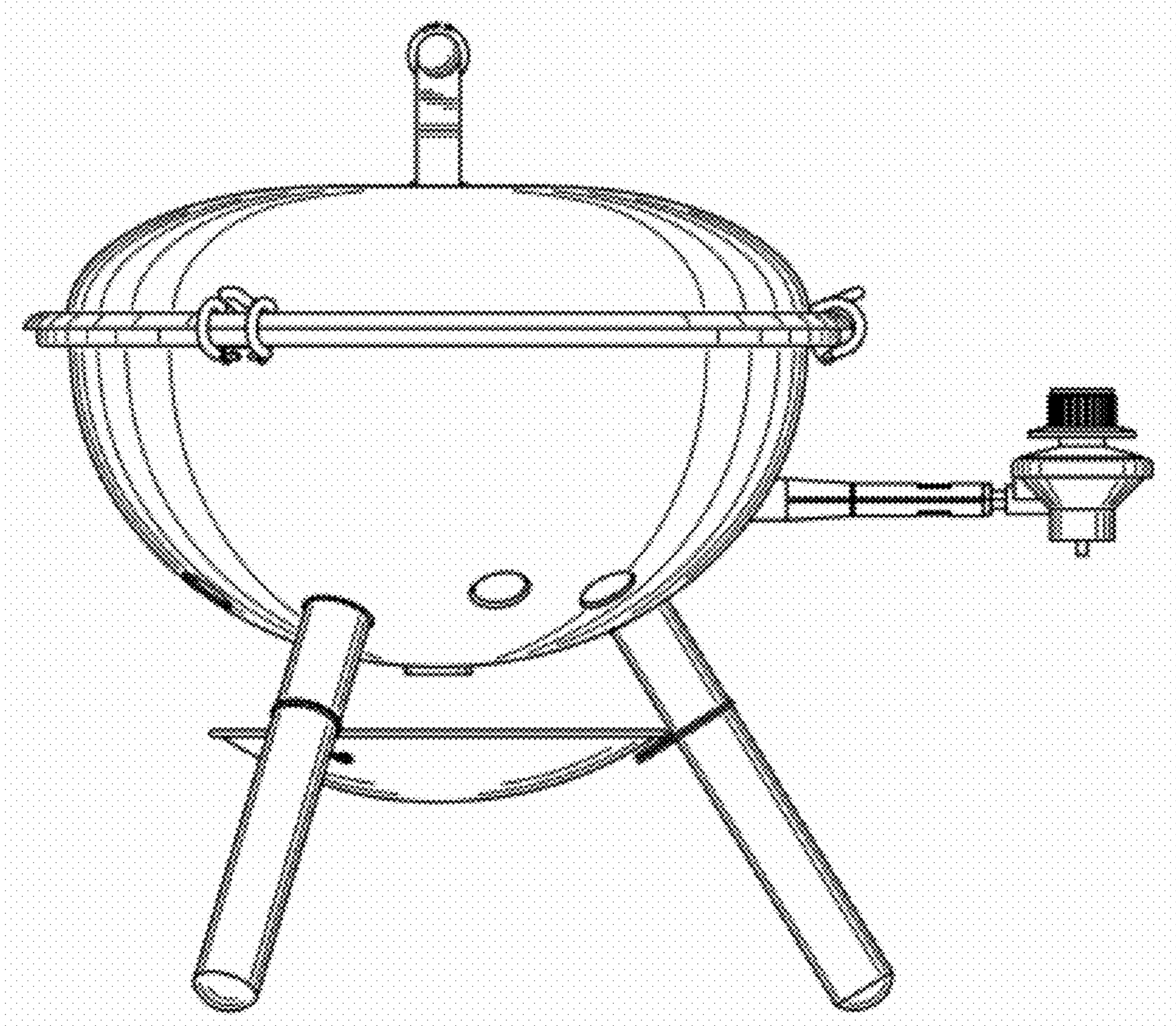


Figure 5

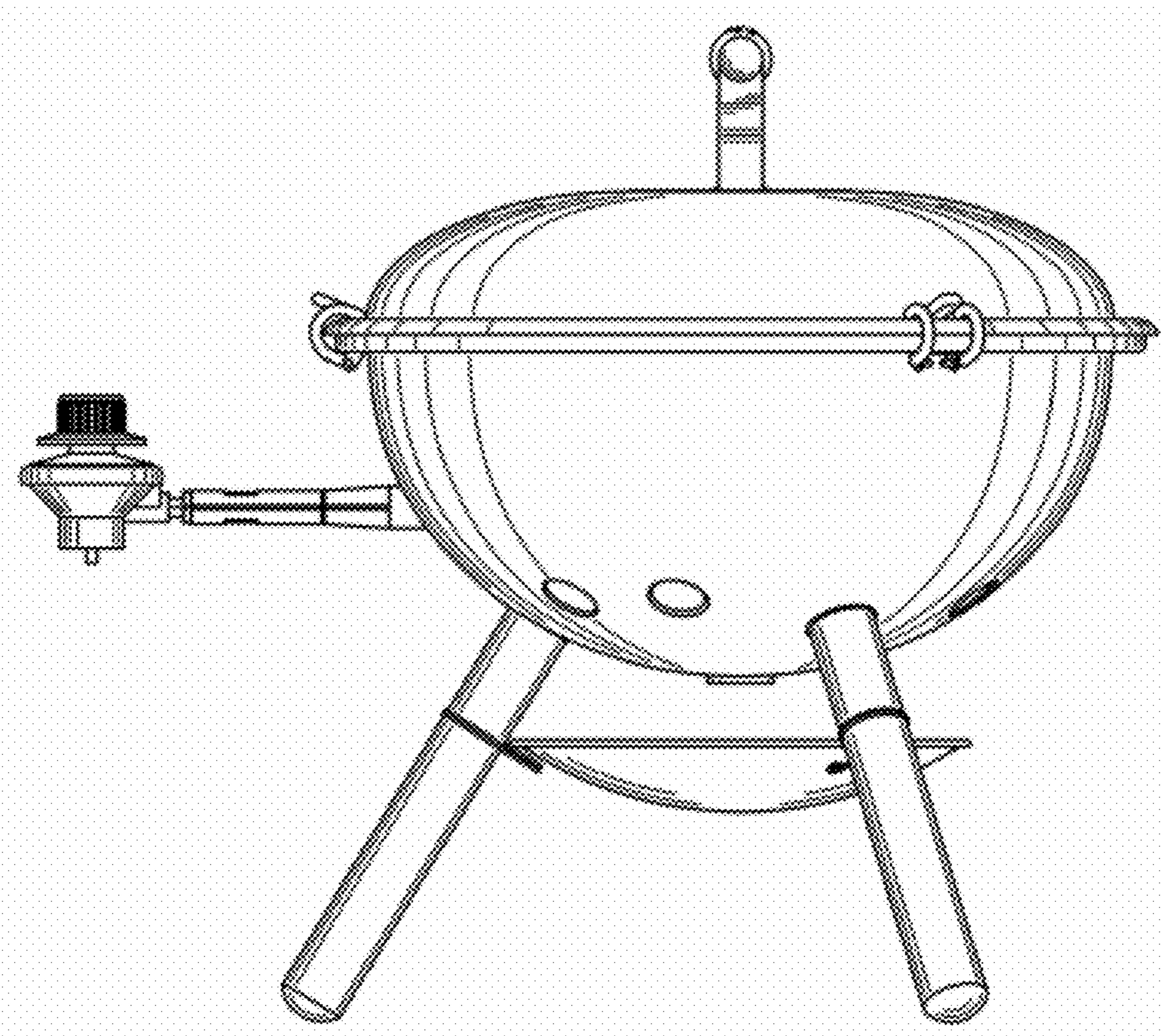


Figure 6

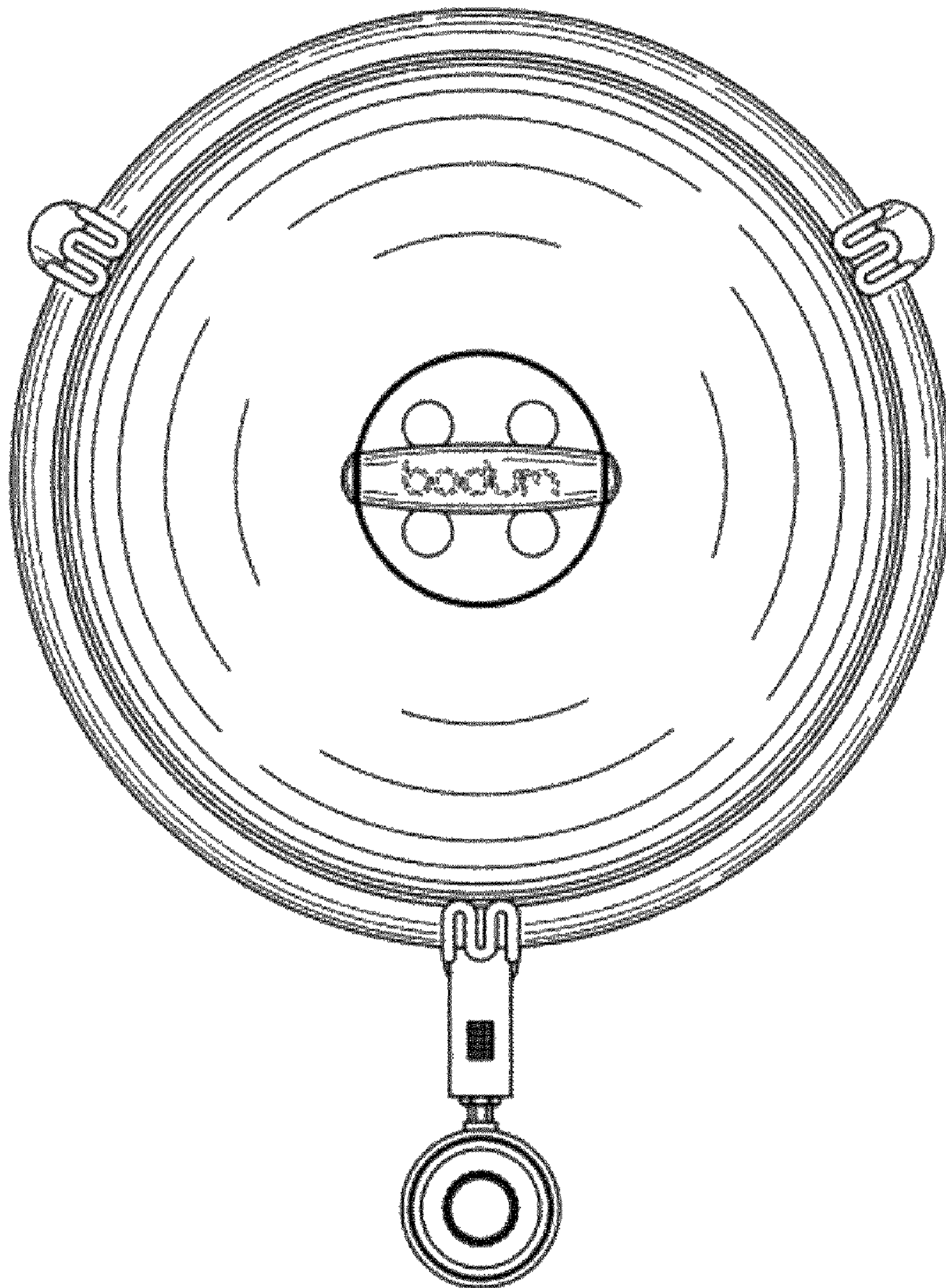


Figure 7

