



US00D677511S

(12) **United States Design Patent**
Gray

(10) **Patent No.:** **US D677,511 S**
(45) **Date of Patent:** **** Mar. 12, 2013**

(54) **PITCHER**
(75) **Inventor:** **Anna-Karin Gray**, Stockholm (SE)
(73) **Assignee:** **Aktiebolaget Electrolux**, Stockholm (SE)
(**) **Term:** **14 Years**
(21) **Appl. No.:** **29/401,690**
(22) **Filed:** **Sep. 14, 2011**

(30) **Foreign Application Priority Data**
Mar. 15, 2011 (EM) 001265284
(51) **LOC (9) Cl.** **07-01**
(52) **U.S. Cl.** **D7/316; D7/317; D7/598**
(58) **Field of Classification Search** D7/316-319,
D7/300, 600, 598; D23/209; 220/533; 222/465.1;
210/85
See application file for complete search history.

(56) **References Cited**
U.S. PATENT DOCUMENTS
D173,455 S * 11/1954 Reinecke et al. D7/317
D181,621 S * 12/1957 Blod D7/317
D199,037 S * 9/1964 Jackson D7/691
3,861,565 A * 1/1975 Rickmeier, Jr. 222/131
D313,555 S * 1/1991 Jordi D7/612
D336,760 S 6/1993 Raunkjaer
5,665,224 A * 9/1997 Levene et al. 210/85
D416,163 S * 11/1999 Doritty et al. D7/319
D439,790 S * 4/2001 Matsushita et al. D7/319
D440,110 S * 4/2001 Tanner et al. D7/319
D501,755 S 2/2005 Namur
D506,639 S 6/2005 Jalet
D516,364 S * 3/2006 Davies et al. D7/319
D517,852 S 3/2006 Jalet
D520,597 S 5/2006 Witte
D546,113 S 7/2007 Ruoff
D552,917 S * 10/2007 Hurlbut et al. D7/319
D573,394 S 7/2008 Tullney et al.
D573,395 S 7/2008 Tullney et al.
D576,250 S 9/2008 Born et al.
7,438,799 B2 * 10/2008 Vandenbelt et al. 210/85
D583,612 S 12/2008 Wu et al.

D584,913 S 1/2009 Green et al.
D585,231 S * 1/2009 Bulala et al. D7/319
D586,605 S 2/2009 Ma et al.
D594,690 S * 6/2009 Bursztein D7/319
D604,088 S * 11/2009 Bursztein D7/319
D616,694 S * 6/2010 Kulikov et al. D7/319
D618,032 S 6/2010 Kulikov et al.
D626,777 S 11/2010 Bell et al.
D626,778 S 11/2010 Bell et al.
D626,779 S 11/2010 Bell et al.
D630,894 S * 1/2011 Harris et al. D7/397
D632,520 S 2/2011 Bell et al.
D636,627 S * 4/2011 Harris et al. D7/319
D636,631 S 4/2011 Muddana et al.
D638,246 S * 5/2011 Harris et al. D7/316
D639,102 S 6/2011 Harris et al.
D651,446 S * 1/2012 Sheppard et al. D7/318
2008/0314808 A1 * 12/2008 Vandenbelt et al. 210/85

FOREIGN PATENT DOCUMENTS

DE M9301281-0002 9/1993
DE M9301281-0003 9/1993
DE M9803309-0001 1/1999
DE M9803309-0002 1/1999
DE M9804424-0001 1/1999
DE M9804424-0002 1/1999
DE 49909318-0001 1/2000
DE 49909318-0002 1/2000
DE 49909318-0003 1/2000

(Continued)

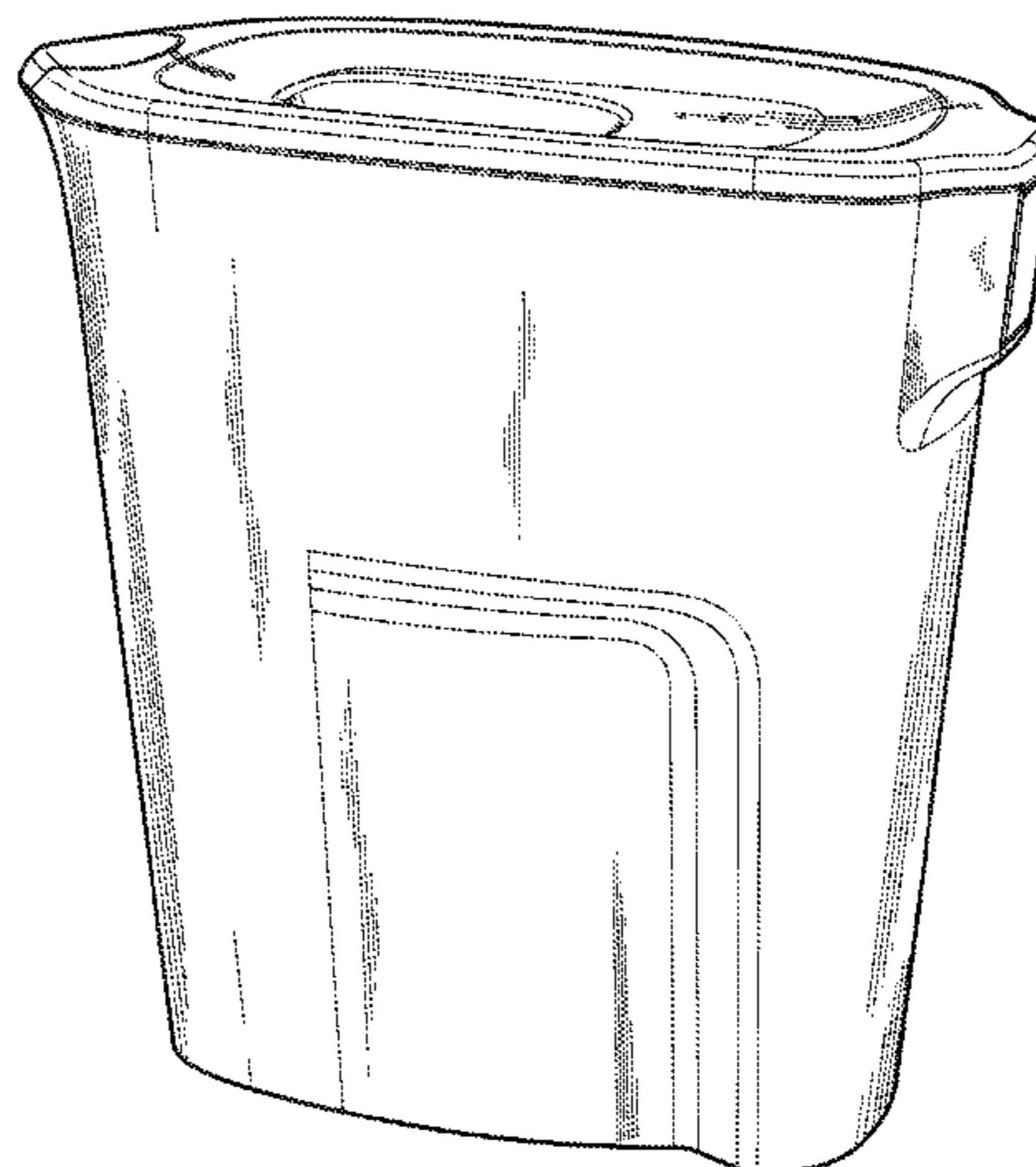
Primary Examiner — Marianne Pandozzi
(74) *Attorney, Agent, or Firm* — Banner & Witcoff, Ltd.

(57) **CLAIM**
The ornamental design for a pitcher, as shown and described.

DESCRIPTION

FIG. 1 is a perspective view of a pitcher showing my new design;
FIG. 2 is a right side view thereof;
FIG. 3 is a top view thereof;
FIG. 4 is a left side view thereof;
FIG. 5 is a bottom view thereof;
FIG. 6 is a front view thereof; and,
FIG. 7 is a rear view thereof.

1 Claim, 4 Drawing Sheets



US D677,511 S

Page 2

FOREIGN PATENT DOCUMENTS

DE	49909318-0004	1/2000
DE	49909318-0005	1/2000
DE	49909318-0006	1/2000
DE	49909319-0001	1/2000
DE	49909319-0002	1/2000
DE	49909319-0003	1/2000
DE	49909319-0004	1/2000
DE	49909319-0005	1/2000
DE	49909319-0006	1/2000

DE	40400924-0001	5/2004
DE	40403886-0001	9/2004
DE	40406643-0001	2/2005
DE	40406643-0002	2/2005
DE	40406643-0003	2/2005
DE	40406643-0004	2/2005
DE	40701888-0001	7/2007
DE	40701889-0001	7/2007

* cited by examiner

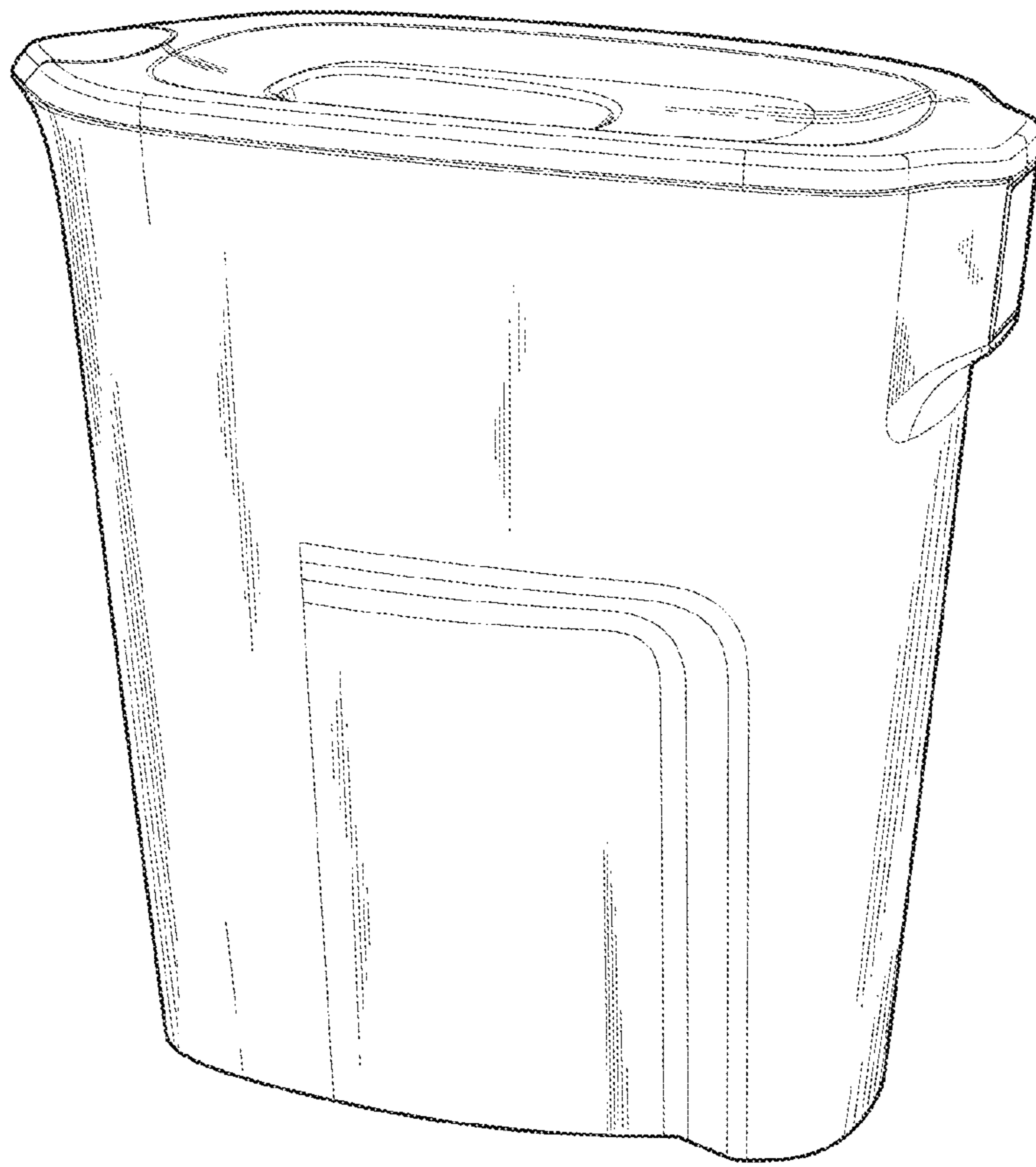


FIG. 1

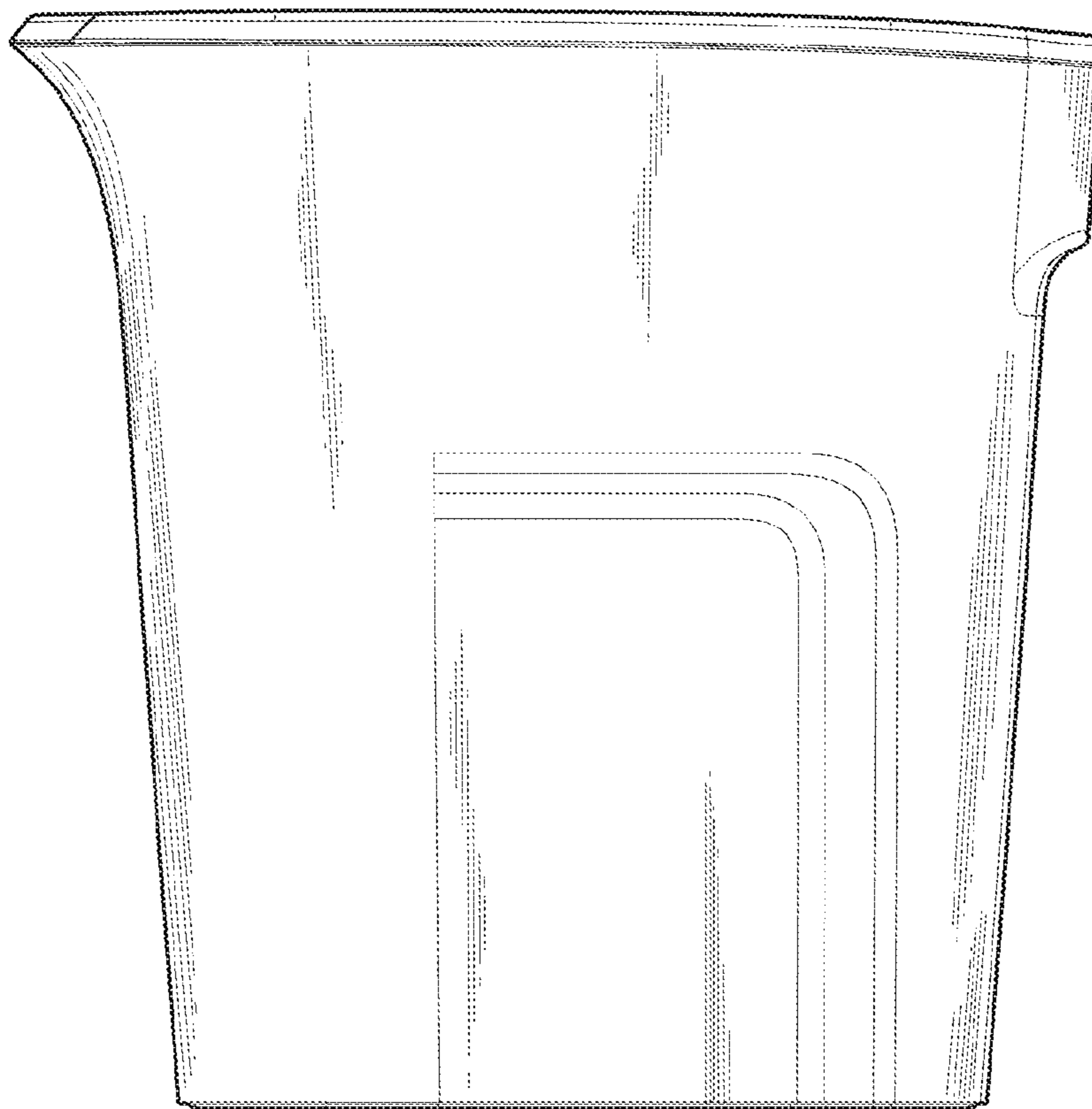


FIG. 2

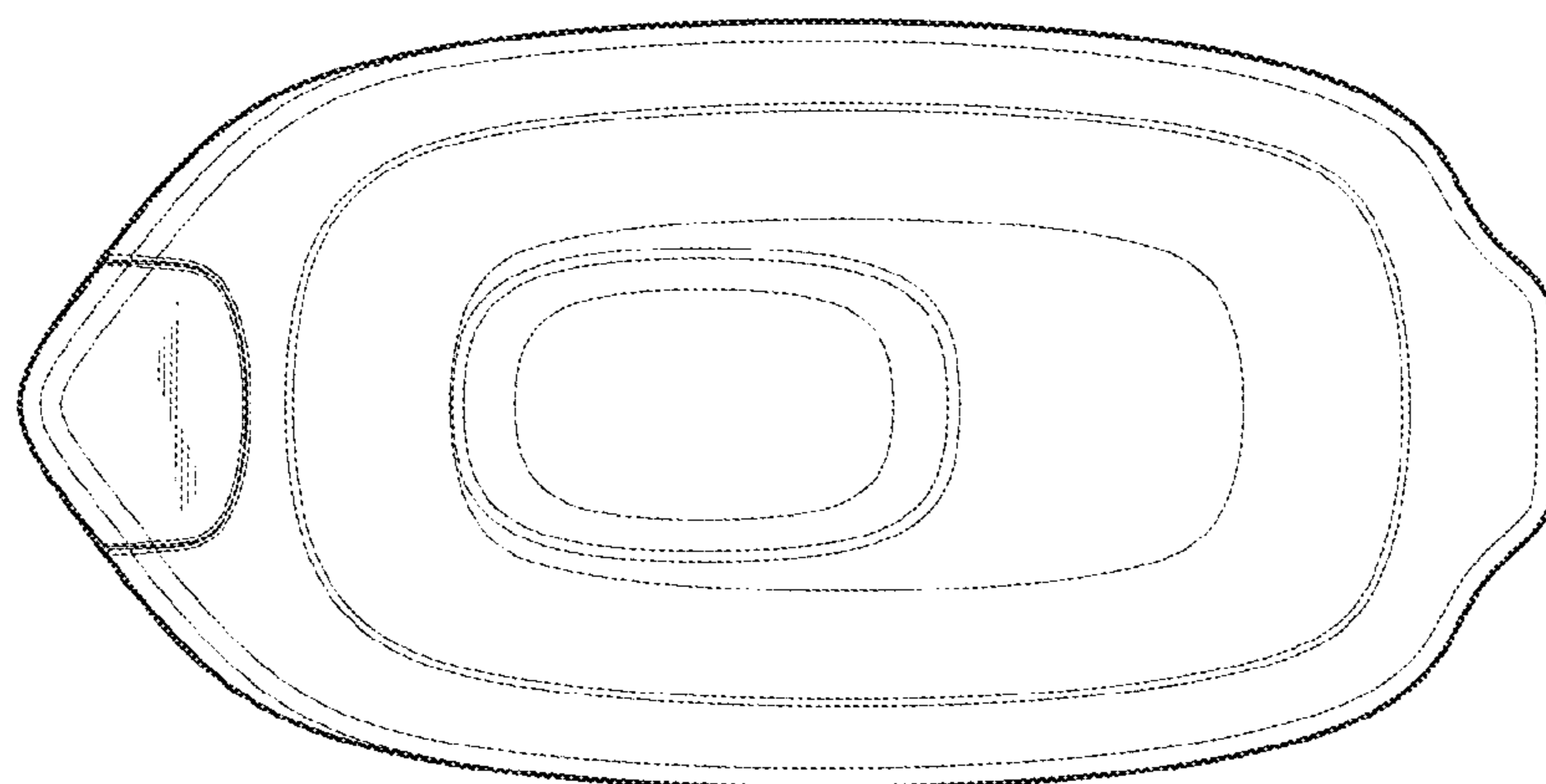


FIG. 3

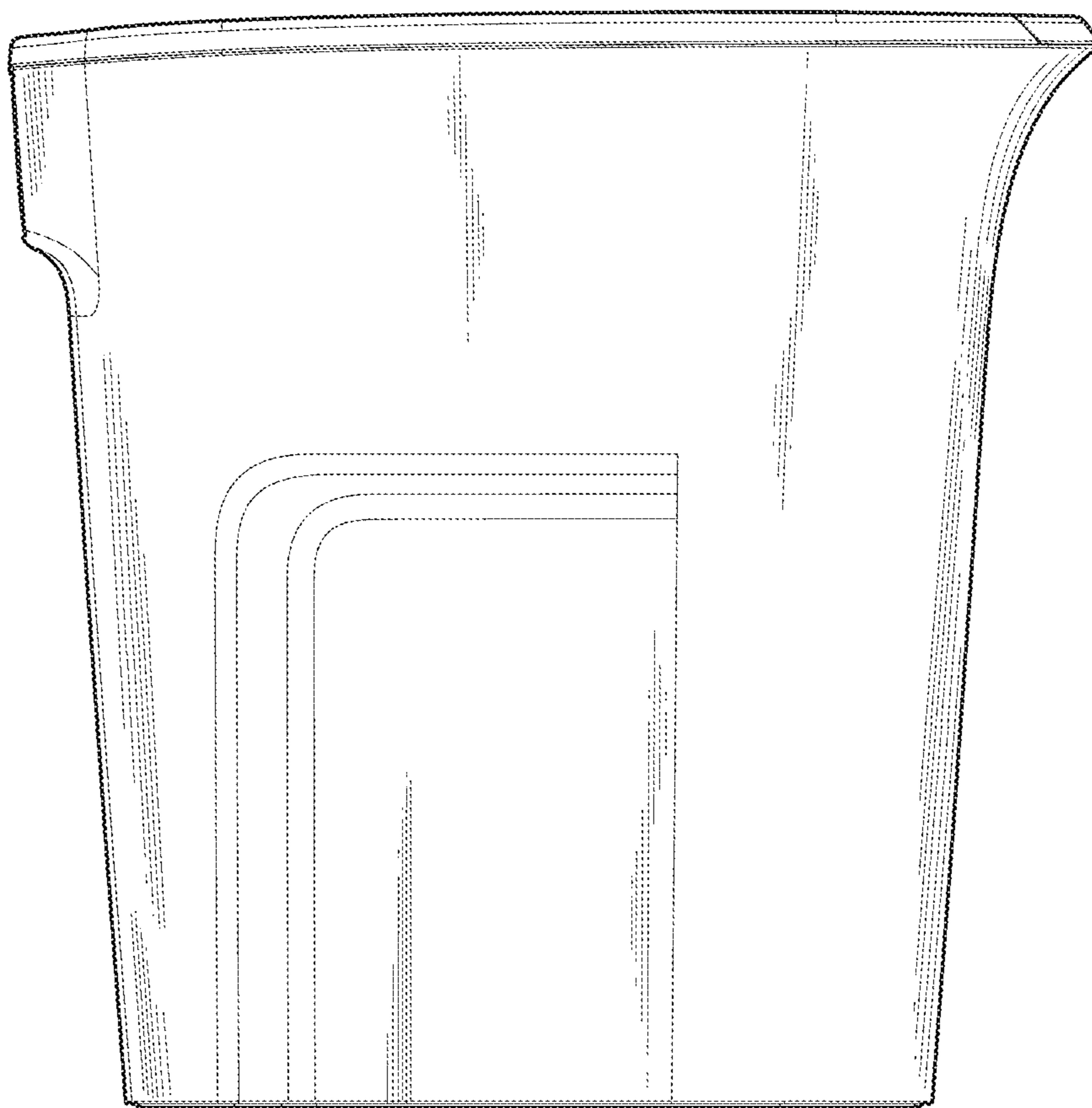


FIG. 4

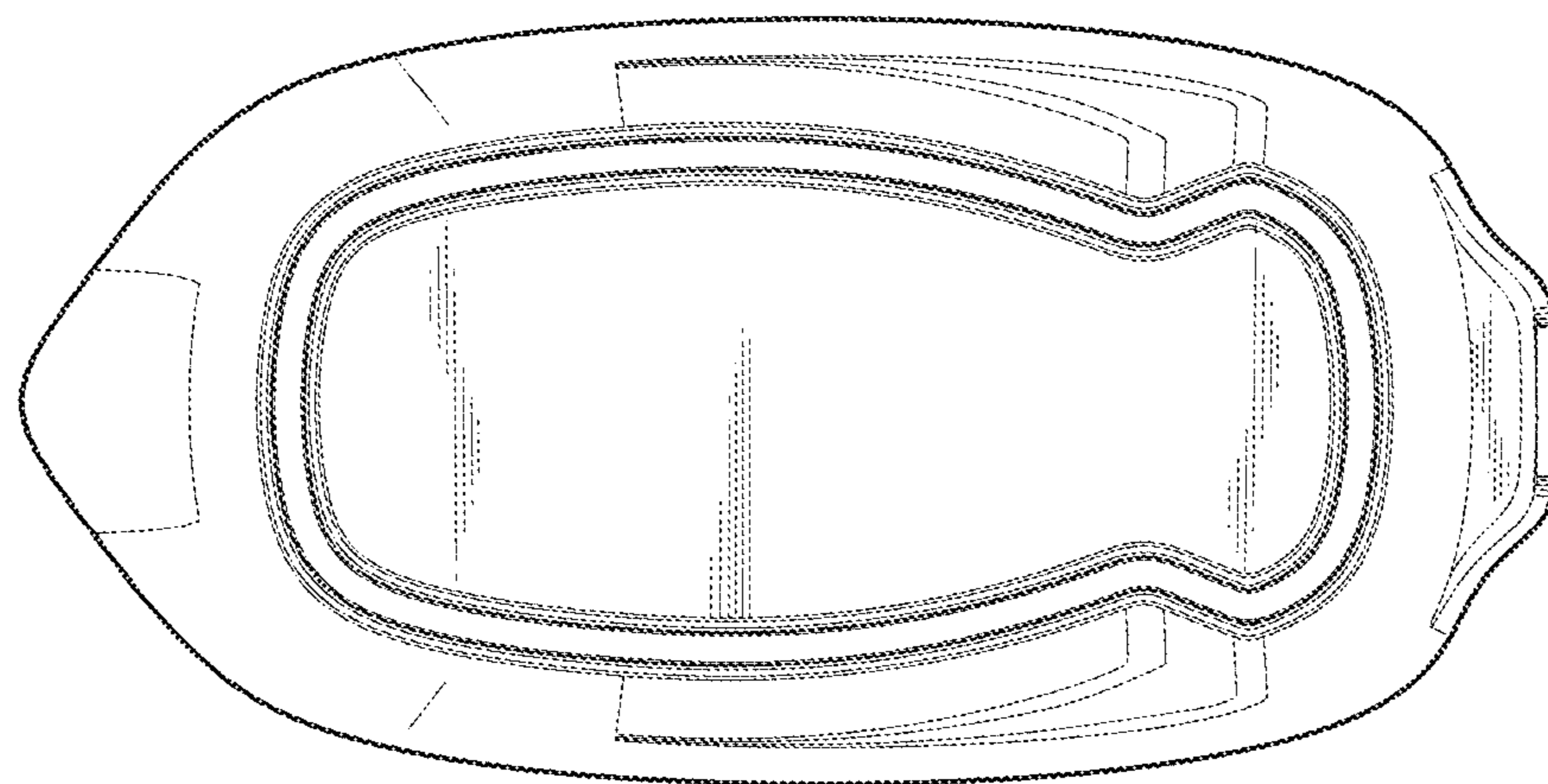


FIG. 5

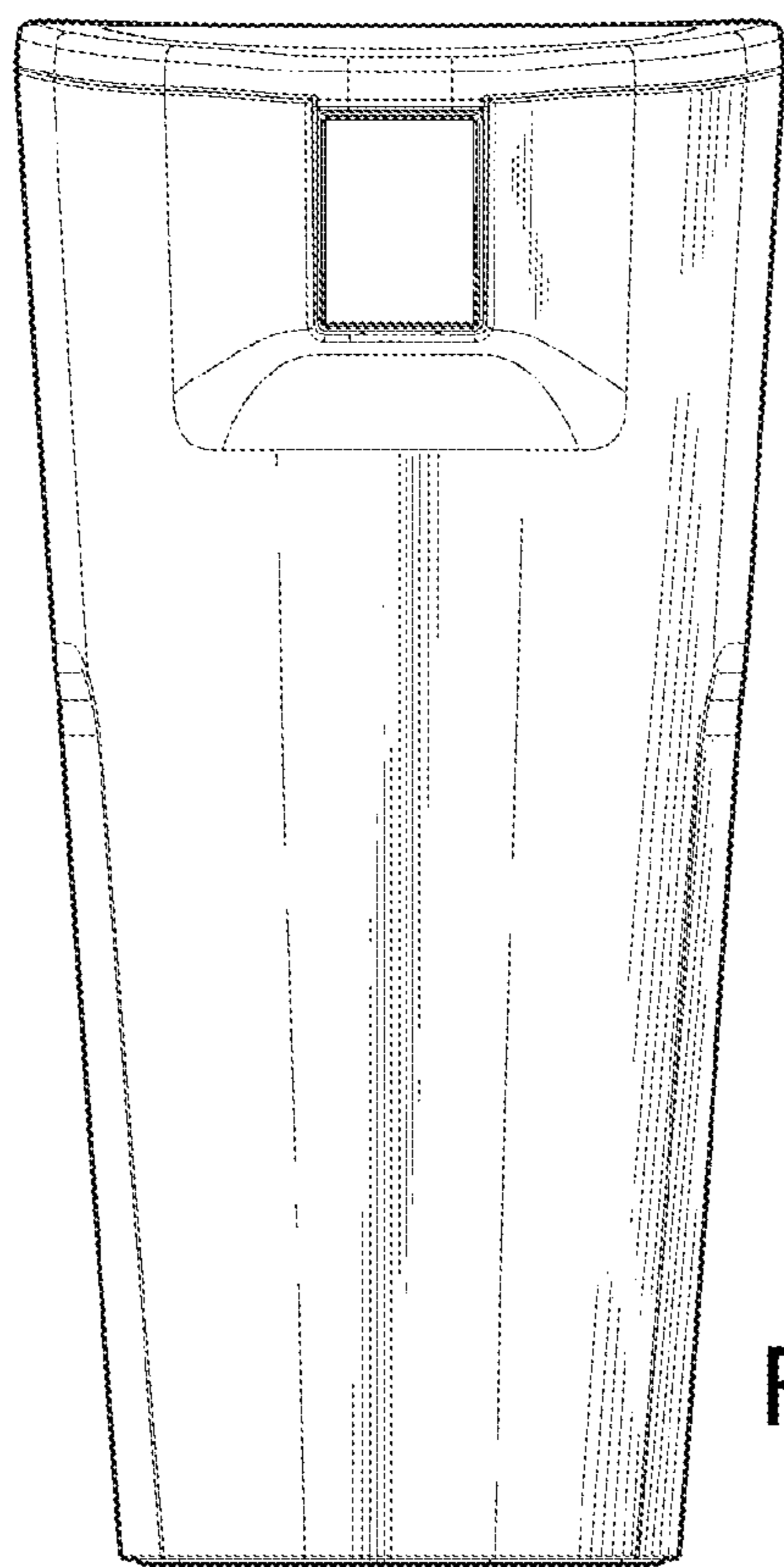


FIG. 6

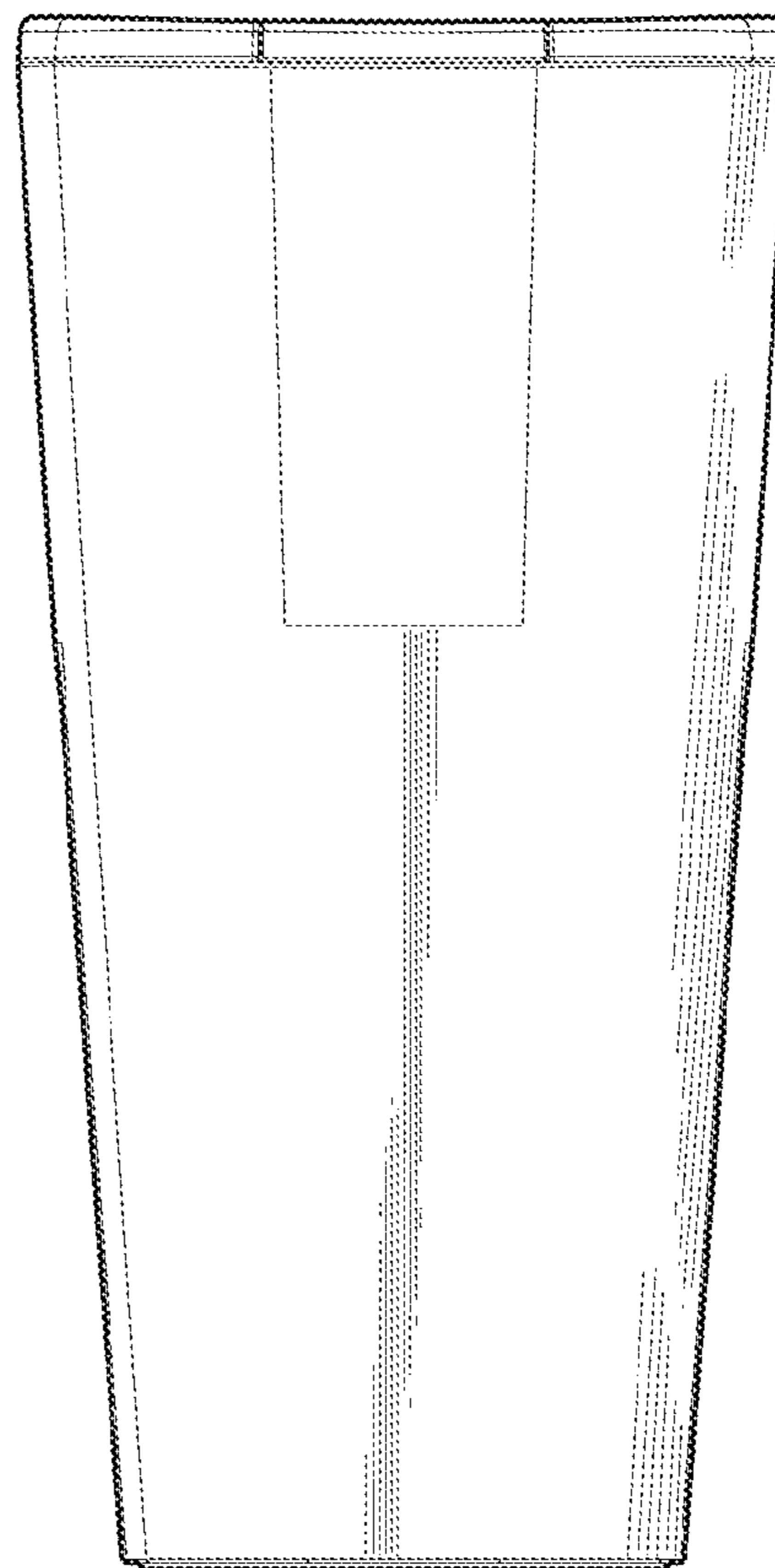


FIG. 7