



US00D677510S

(12) **United States Design Patent**
Tetreault

(10) **Patent No.:** **US D677,510 S**
(45) **Date of Patent:** **** *Mar. 12, 2013**

- (54) **COFFEE MAKER**
- (75) Inventor: **Joel Tetreault**, Roswell, GA (US)
- (73) Assignee: **Calphalon Corporation**
- (*) Notice: This patent is subject to a terminal disclaimer.
- (**) Term: **14 Years**
- (21) Appl. No.: **29/394,402**
- (22) Filed: **Jun. 16, 2011**
- (51) **LOC (9) Cl.** **07-01**
- (52) **U.S. Cl.** **D7/309; D7/311**
- (58) **Field of Classification Search** D7/309–311,
D7/306–308, 300; 99/300, 280, 295
See application file for complete search history.

5,490,448 A	2/1996	Weller	
5,639,023 A	6/1997	Hild	
5,647,269 A	7/1997	Miller	
5,651,905 A	7/1997	Thies	
5,852,283 A	12/1998	O'Neill	
5,892,204 A	4/1999	McNair	
5,943,944 A	8/1999	Lassota	
5,953,981 A	9/1999	Lassota	
6,035,761 A	3/2000	Lassota	
6,044,753 A	4/2000	Lassota	
6,078,032 A	6/2000	Miller	
6,082,245 A	7/2000	Nicolai	
6,130,990 A	10/2000	Herrick	
6,178,874 B1	1/2001	Joergensen	
6,192,192 B1	2/2001	Illy	
D439,103 S *	3/2001	Cruz D7/309
6,279,458 B1	8/2001	Sham	
6,363,216 B1	3/2002	Bradenbaugh	
6,387,424 B2	5/2002	Funk	
6,459,854 B1	10/2002	Yoakim	
6,522,834 B1	2/2003	Herrick	
6,543,335 B1	4/2003	Lassota	

(Continued)

(56) **References Cited**

U.S. PATENT DOCUMENTS

4,252,254 A	2/1981	Pryor	
4,303,827 A	12/1981	Kyles	
4,354,094 A	10/1982	Massey	
4,458,829 A	7/1984	Greenfield	
4,470,999 A	9/1984	Carpac	
4,546,697 A	10/1985	Schaeffer	
4,595,131 A	6/1986	Ruskin	
4,602,145 A	7/1986	Roberts	
4,603,621 A	8/1986	Roberts	
4,757,754 A	7/1988	Welker	
4,762,055 A	8/1988	Shimomura	
4,805,523 A	2/1989	Stuckey	
4,811,657 A	3/1989	Rixen	
4,829,888 A	5/1989	Webster	
4,888,466 A	12/1989	Hoffmann	
4,888,467 A	12/1989	Hoffmann	
4,962,693 A	10/1990	Miwa	
4,977,819 A	12/1990	Lorenz	
5,044,261 A	9/1991	Kawazoe	
5,115,730 A	5/1992	Gockelmann	
5,222,185 A	6/1993	McCord	
5,251,541 A	10/1993	Anson	
D343,758 S *	2/1994	Beeren D7/309
5,283,854 A	2/1994	Schiebelhuth	
5,367,607 A	11/1994	Hufnagel	
5,377,299 A	12/1994	Anson	
5,460,078 A	10/1995	Weller	

Primary Examiner — Marianne Pandozzi

(74) *Attorney, Agent, or Firm* — Newell Rubbermaid, Inc.

(57) **CLAIM**

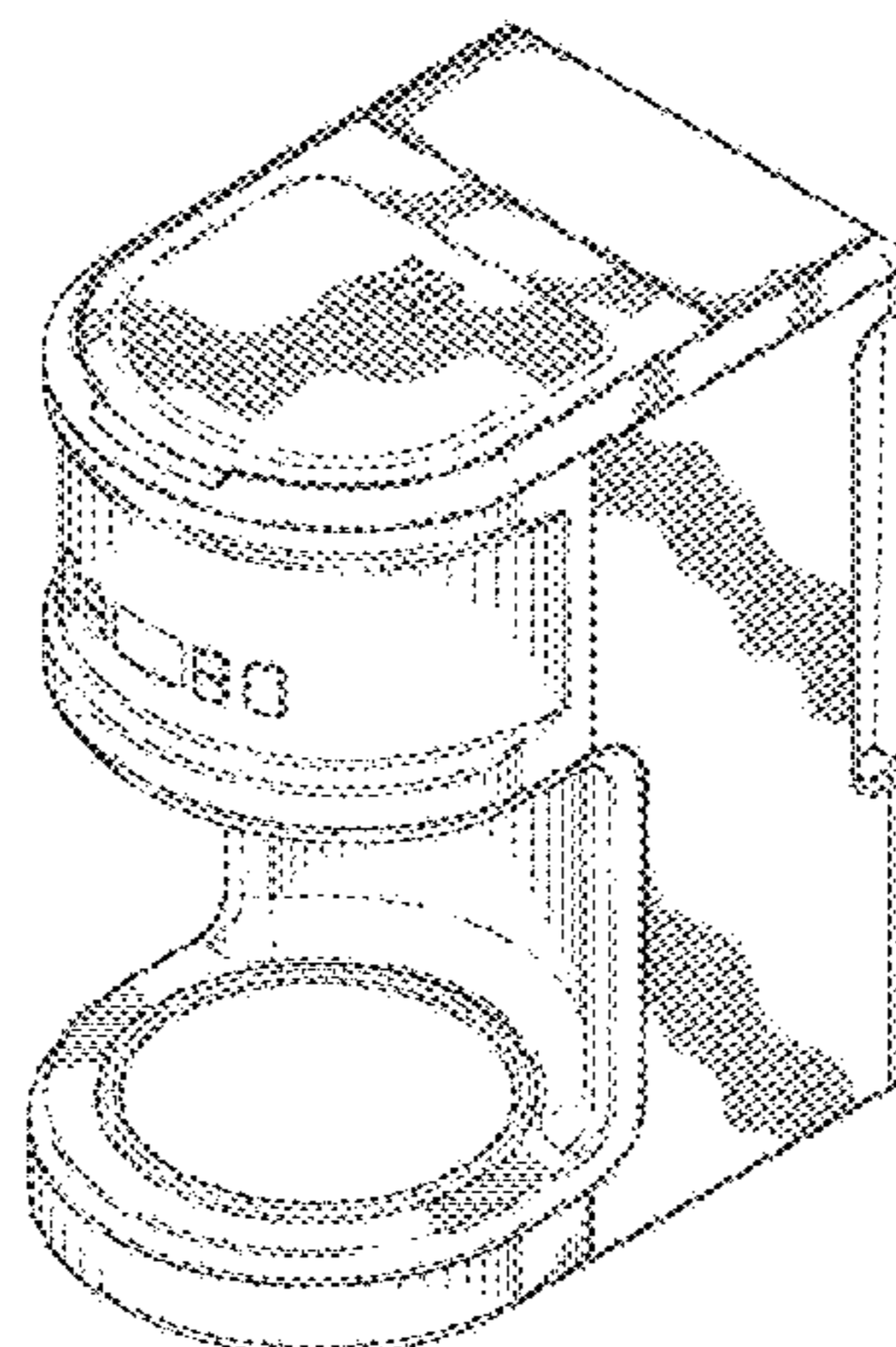
The ornamental design for a “coffee maker,” as shown and described.

DESCRIPTION

FIG. 1 is a perspective view of a Coffee Maker showing my new design;
 FIG. 2 is a front elevational view of the Coffee Maker shown in FIG. 1;
 FIG. 3 is a back elevational view of the Coffee Maker shown in FIG. 1;
 FIG. 4 is a left side elevational view of the Coffee Maker shown in FIG. 1;
 FIG. 5 is a right side elevational view of the Coffee Maker shown in FIG. 1;
 FIG. 6 is a top plan view of the Coffee Maker shown in FIG. 1; and,
 FIG. 7 is a bottom plan view of the Coffee Maker shown in FIG. 1.

The subject matter shown in dashed lines is for illustrative purposes and forms no part of the claimed design.

1 Claim, 7 Drawing Sheets



US D677,510 S

Page 2

U.S. PATENT DOCUMENTS

6,600,875 B2	7/2003	Kodden		7,486,877 B2	2/2009	Boussemart	
6,633,726 B2	10/2003	Bradenbaugh		7,503,287 B2	3/2009	Friedrich	
D481,902 S *	11/2003	O'Connor et al.	D7/309	D590,652 S *	4/2009	Cesaroni et al.	D7/309
6,661,968 B2	12/2003	Beaulieu		D594,688 S *	6/2009	Hammad et al.	D7/306
6,668,704 B1	12/2003	Lassota		7,543,526 B1	6/2009	Tai	
6,762,975 B2	7/2004	Wu		7,591,218 B2	9/2009	Bunn	
6,795,644 B2	9/2004	Bradenbaugh		7,654,191 B2	2/2010	Greenwald	
6,843,164 B2	1/2005	Drobeck		7,669,519 B2	3/2010	Pope	
6,886,451 B2	5/2005	Donnelly		7,685,932 B2	3/2010	Rahn	
6,889,599 B2	5/2005	Koslow		7,742,689 B2	6/2010	Harrison	
6,889,600 B2	5/2005	Rava		D620,302 S *	7/2010	Picozza et al.	D7/309
6,941,856 B2	9/2005	Font		7,773,866 B2	8/2010	Goeckner	
D511,066 S *	11/2005	Garner	D7/309	7,796,868 B2	9/2010	Kaastra	
6,987,248 B2	1/2006	Krieger		7,798,053 B2	9/2010	Clark	
7,013,795 B2	3/2006	Mulle		D627,188 S *	11/2010	Picozza et al.	D7/309
7,081,263 B2 *	7/2006	Albrecht	426/82	D628,007 S *	11/2010	Di Bitonto et al.	D7/310
7,151,892 B2	12/2006	Li		7,827,904 B2	11/2010	Kobylarz	
7,163,126 B2	1/2007	Knepler		D630,039 S *	1/2011	Lin	D7/309
7,187,855 B2	3/2007	Kaastra		D637,859 S *	5/2011	Orkney et al.	D7/306
7,222,759 B2	5/2007	Bunn		D647,750 S *	11/2011	Duncan et al.	D7/309
D545,110 S *	6/2007	Julemont	D7/309	D648,971 S *	11/2011	Goralski et al.	D7/306
7,228,066 B2	6/2007	Pope		2007/0205188 A1	9/2007	De Haan	
7,231,870 B2	6/2007	Lowe		2007/0295216 A1 *	12/2007	Williamson et al.	99/275
7,234,389 B1	6/2007	Lassota		2008/0271608 A1	11/2008	Morin	
D546,112 S *	7/2007	Rorke et al.	D7/309	2008/0273868 A1	11/2008	Boussemart	
7,263,283 B2	8/2007	Knepler		2008/0282897 A1	11/2008	Webster	
7,311,037 B2 *	12/2007	Albrecht	99/306	2009/0293734 A1	12/2009	Quah	
D558,506 S *	1/2008	Garman	D7/309	2010/0193492 A1	8/2010	Hughes	
7,318,371 B2	1/2008	Chan		2010/0218684 A1	9/2010	Etter	
7,346,274 B2	3/2008	Bradenbaugh		2010/0221394 A1	9/2010	Gaulard	
D571,598 S *	6/2008	Moore	D7/306	2010/0239236 A1	9/2010	Anliker	
D585,229 S *	1/2009	de Visser	D7/309	2010/0282088 A1	11/2010	Luzzi	
D586,171 S *	2/2009	Picozza et al.	D7/309	2010/0282090 A1	11/2010	Etter	

* cited by examiner

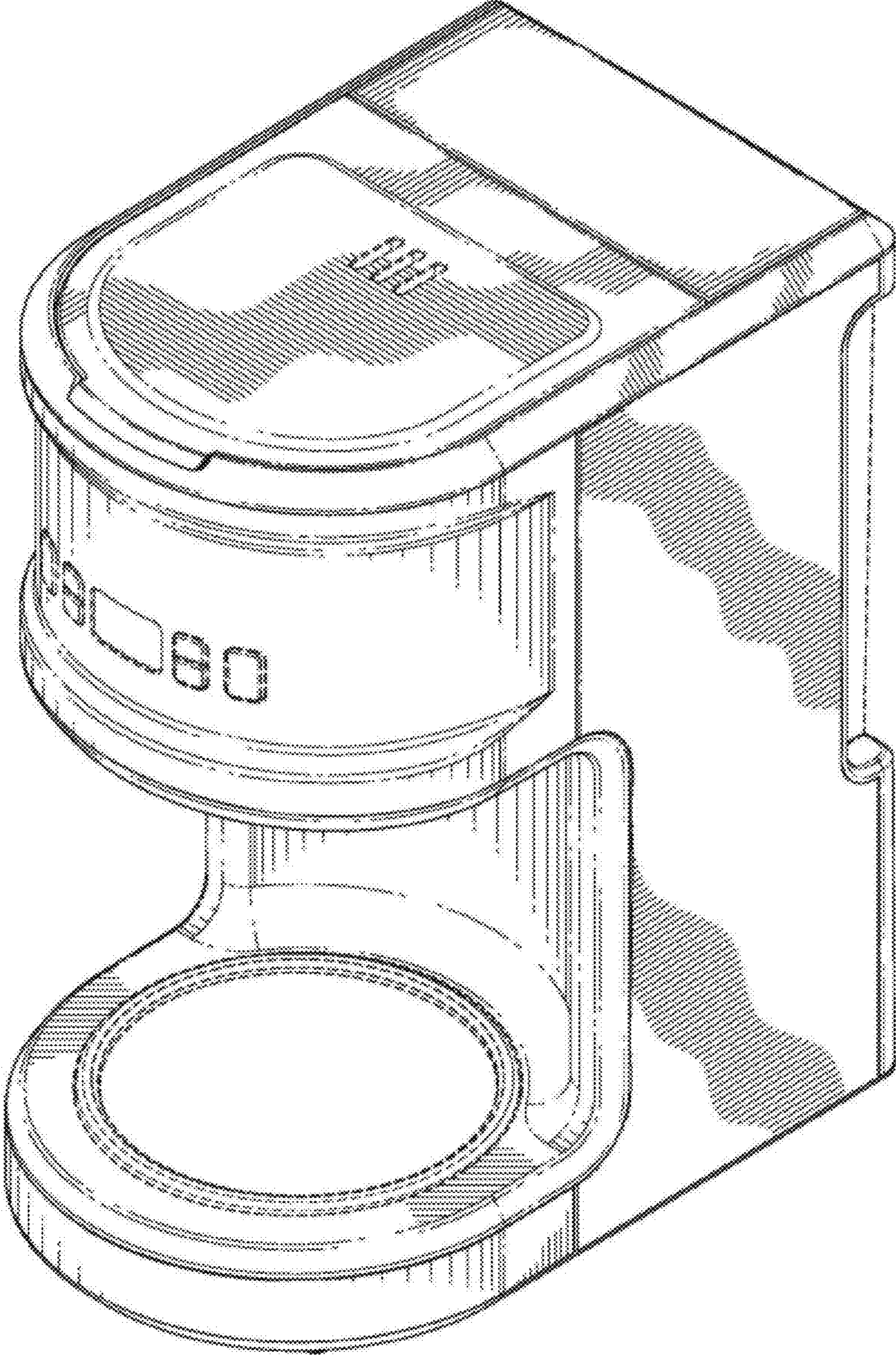


FIG. 1

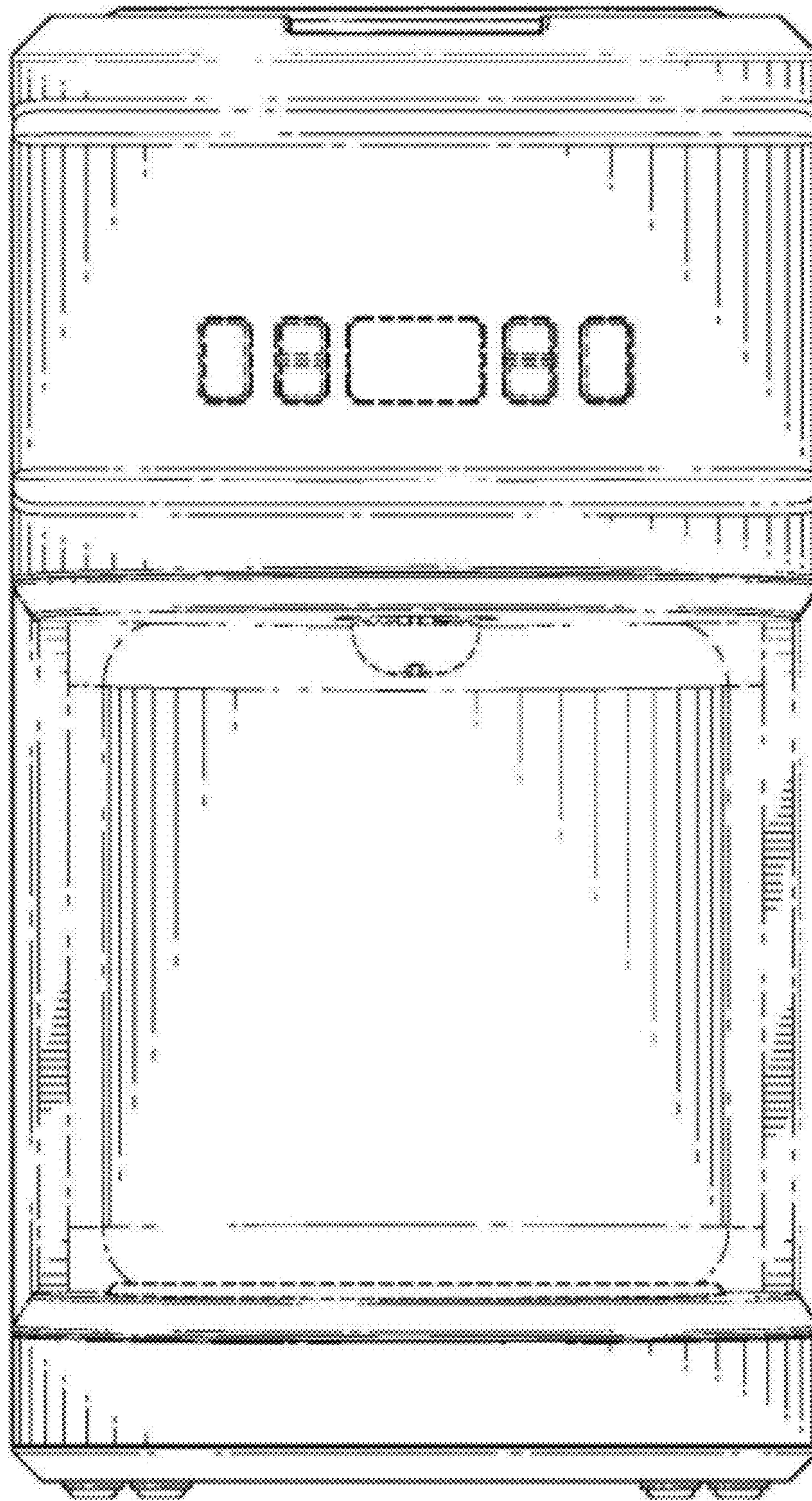


FIG. 2

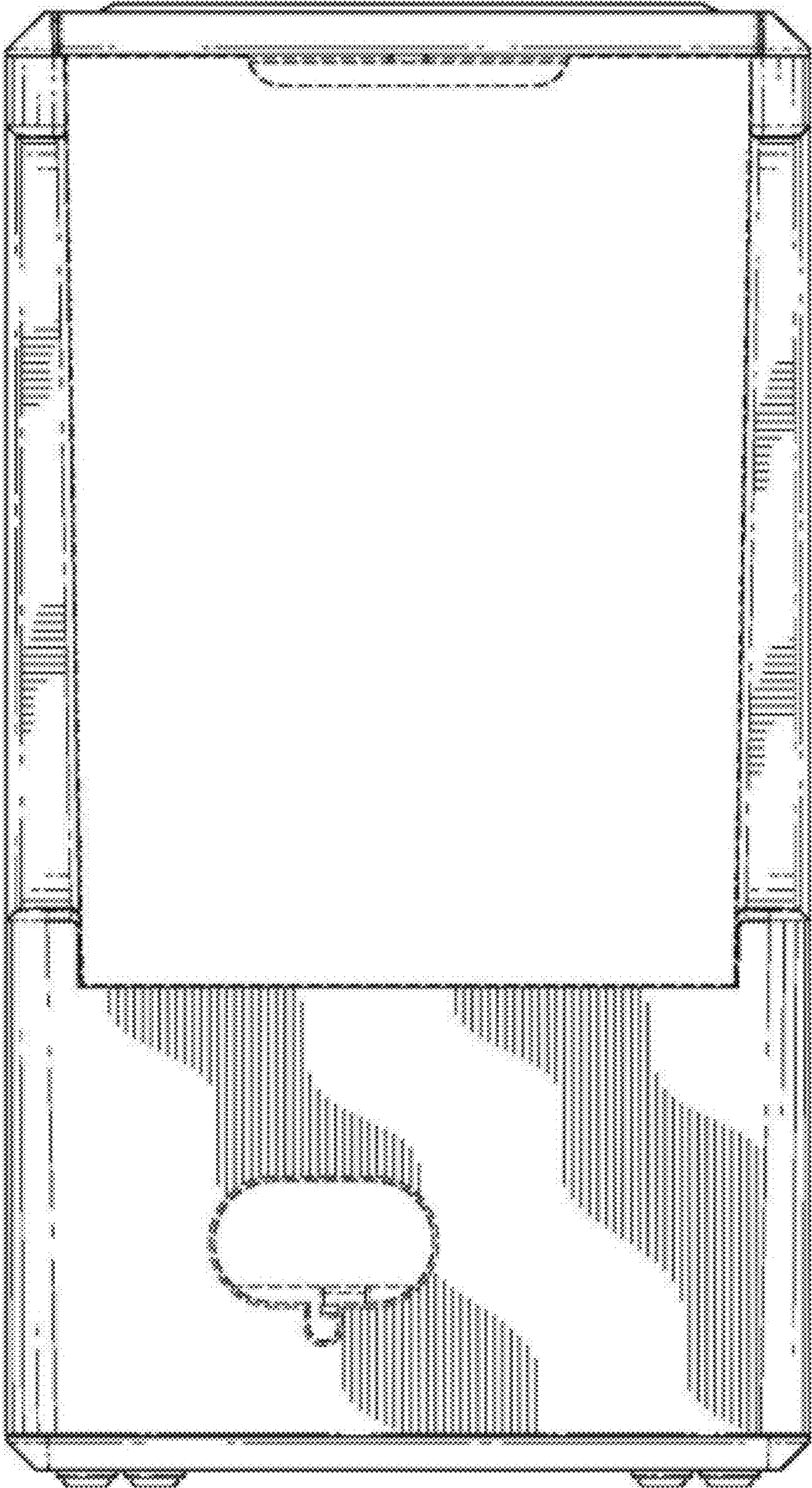


FIG. 3

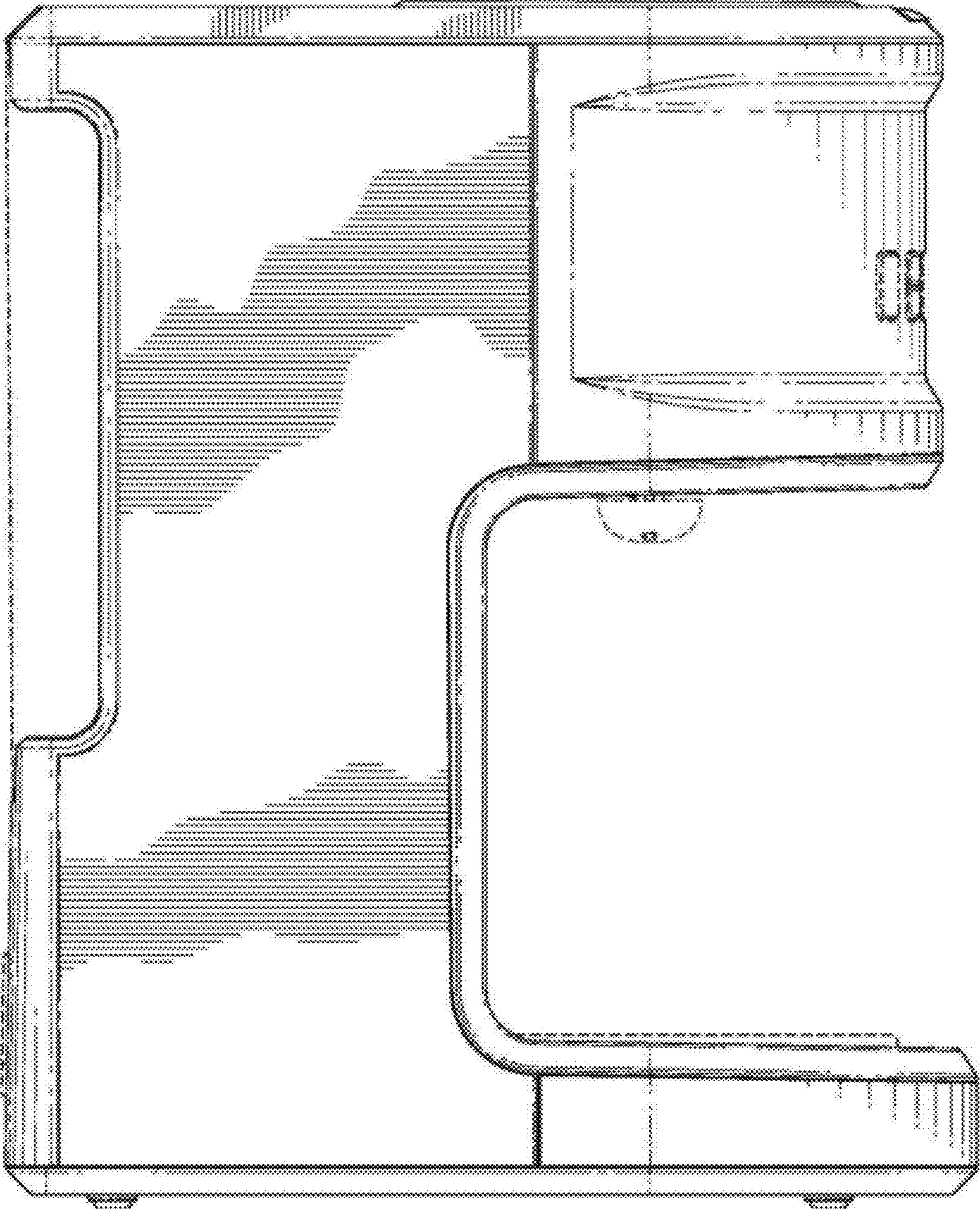


FIG. 4

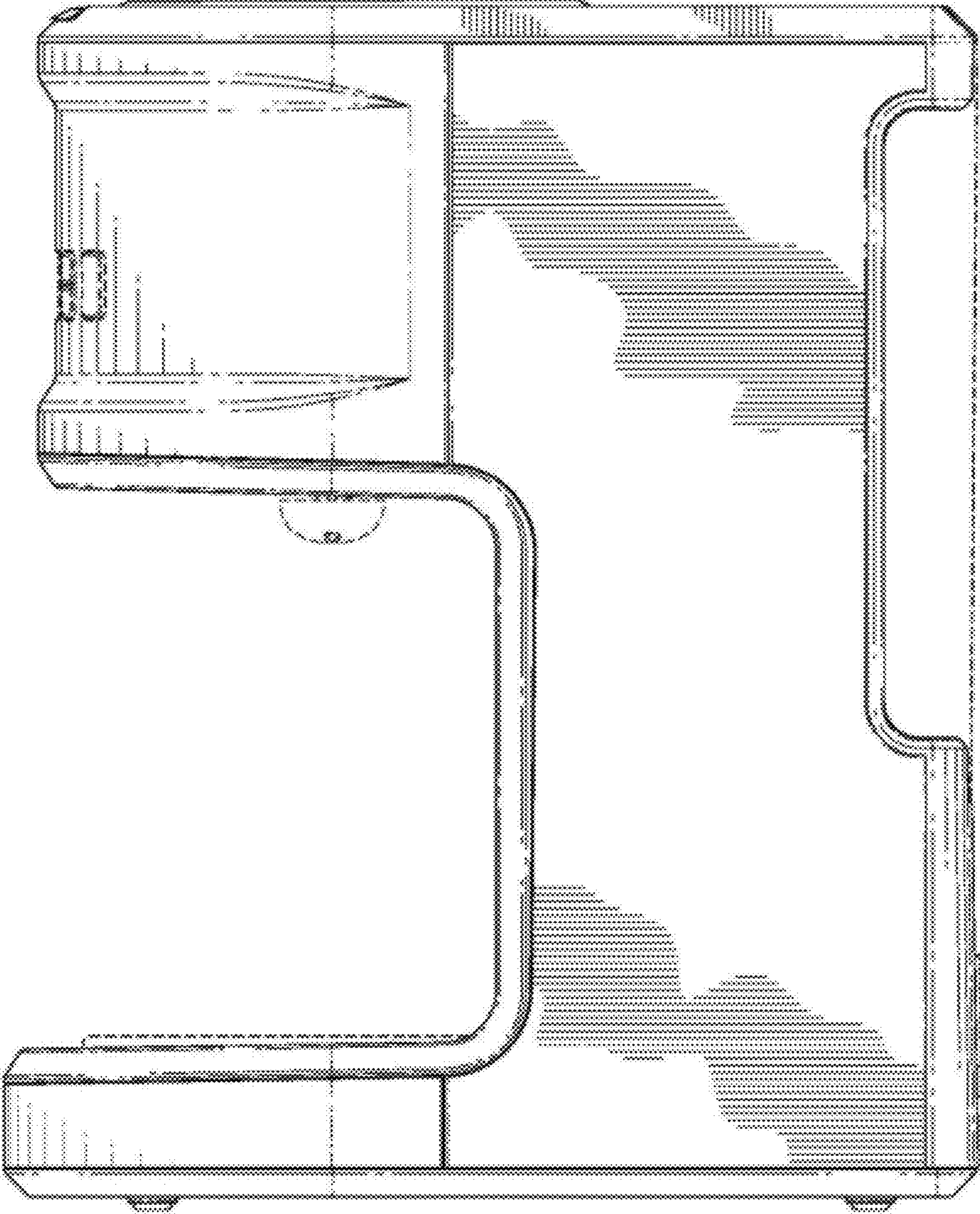


FIG. 5

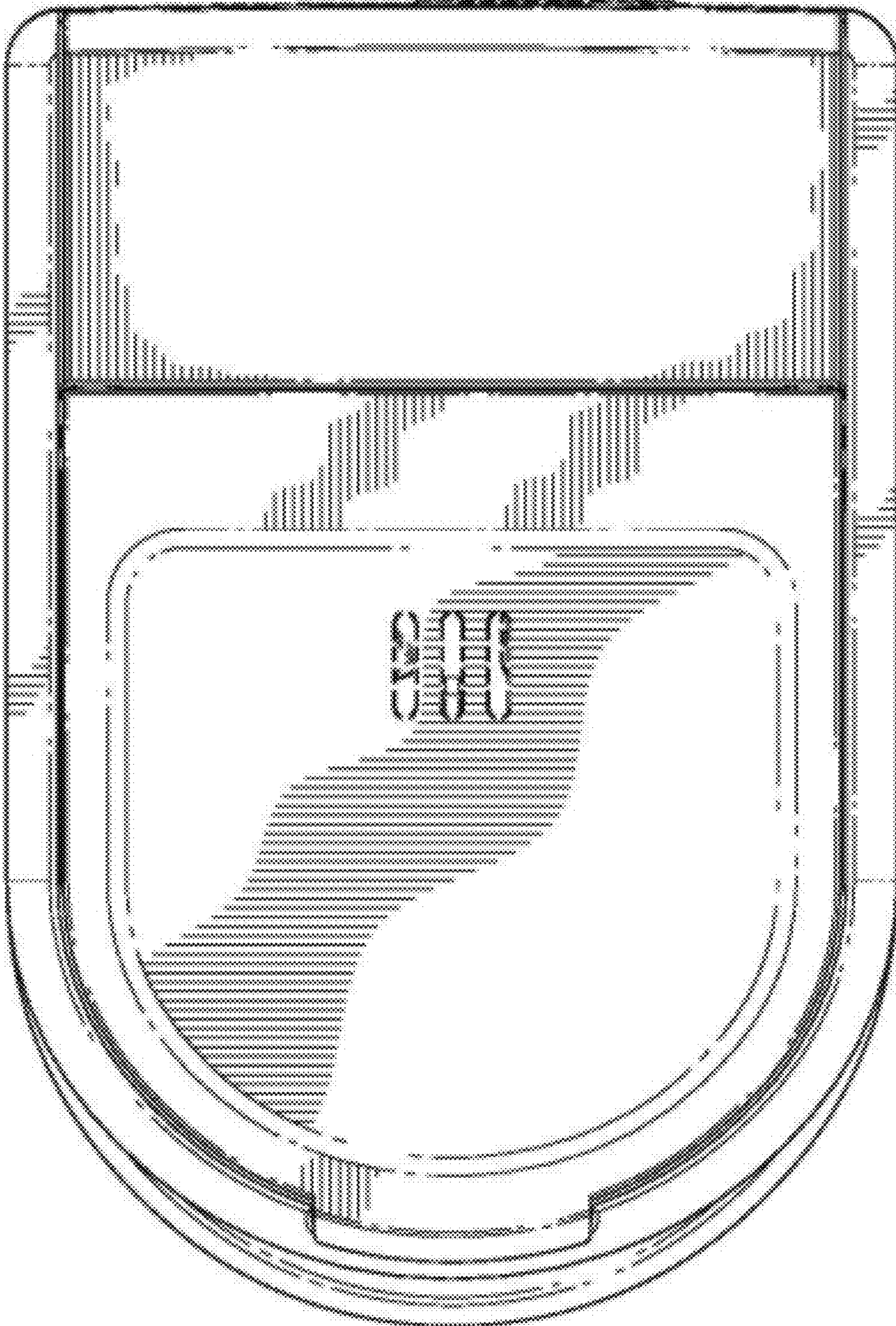


FIG. 6

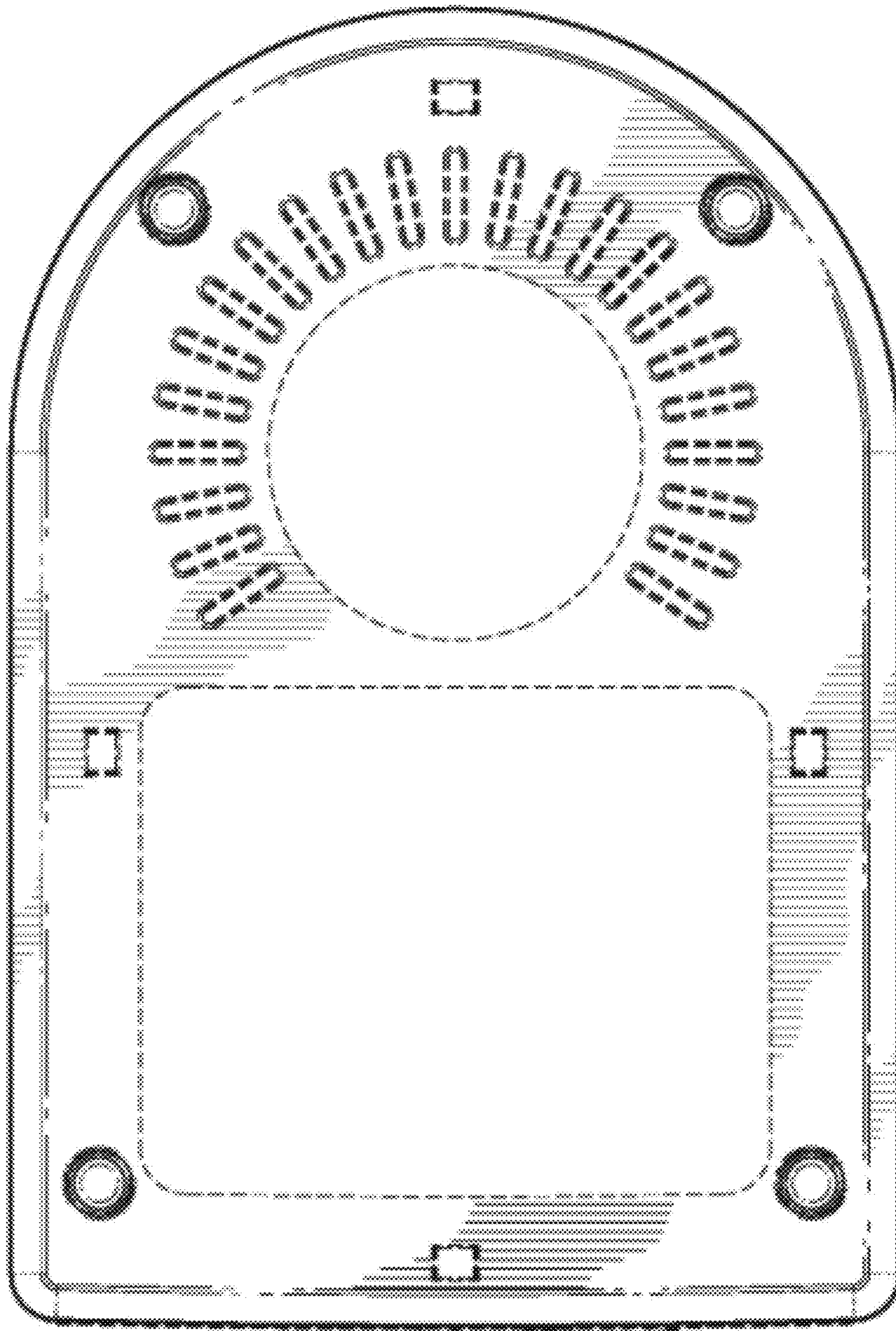


FIG. 7