

US00D677506S

(12) **United States Design Patent**
Lai

(10) **Patent No.:** **US D677,506 S**
(45) **Date of Patent:** **** Mar. 12, 2013**

(54) **PILLOW**
(75) Inventor: **Chester Lai**, Vancouver (CA)
(73) Assignee: **Innovations for Living Ltd.**, Vancouver (CA)

D603,643 S 11/2009 Keefe
7,874,032 B2 1/2011 North
2005/0091750 A1* 5/2005 Radice 5/655.9
2011/0061167 A1* 3/2011 Farley 5/652
2011/0094033 A1 4/2011 Lee
2011/0179573 A1 7/2011 North

(**) Term: **14 Years**
(21) Appl. No.: **29/405,147**

FOREIGN PATENT DOCUMENTS
GB 2212391 A 7/1989
* cited by examiner

(22) Filed: **Oct. 28, 2011**
(51) **LOC (9) Cl.** **06-09**
(52) **U.S. Cl.** **D6/601**
(58) **Field of Classification Search** D6/595,
D6/596, 597, 601, 604; 5/420, 630, 633,
5/636, 637, 645, 652-656, 655.9
See application file for complete search history.

Primary Examiner — Janice Seeger
(74) *Attorney, Agent, or Firm* — Oyen Wiggs Green & Mutala LLP

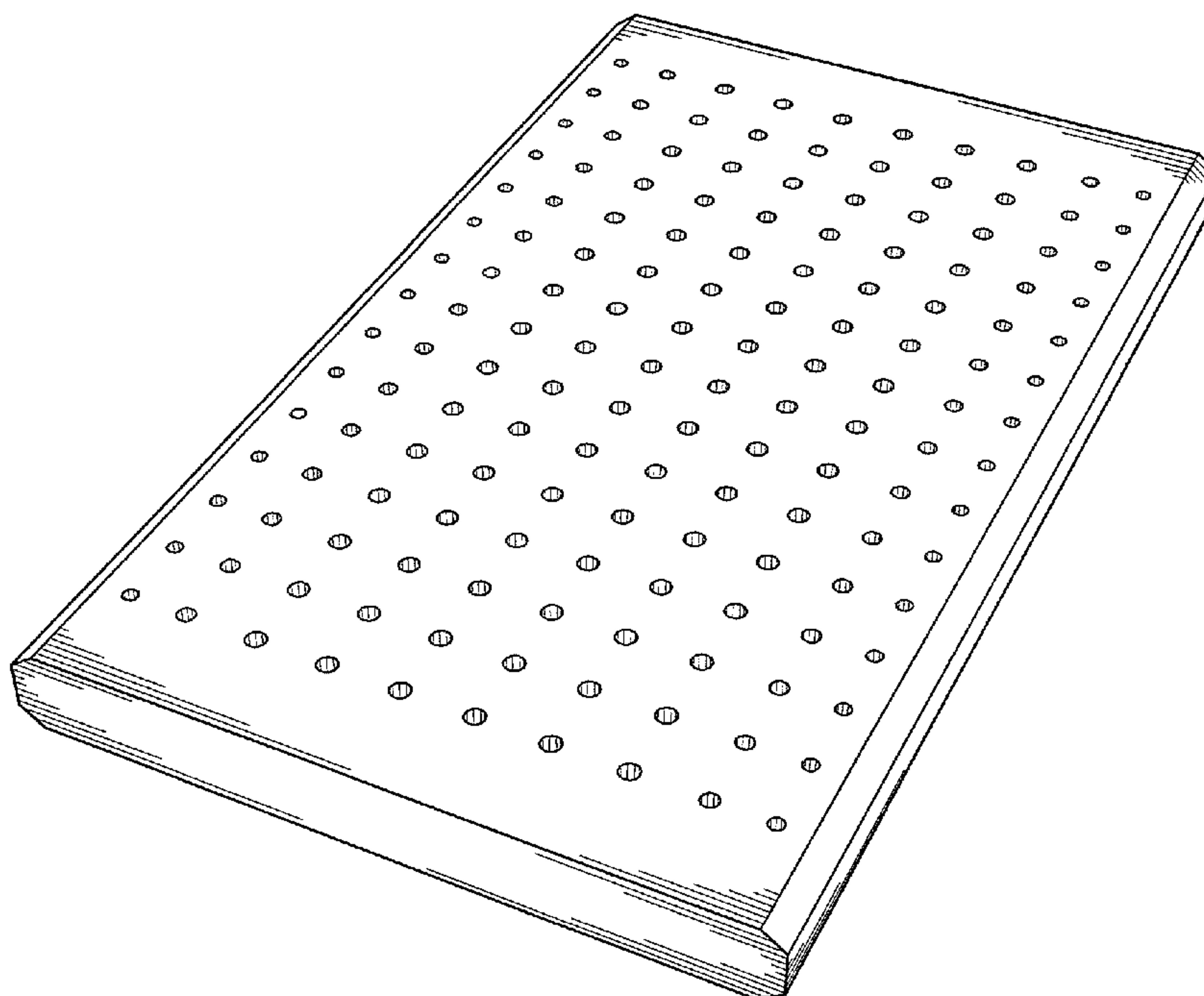
(56) **References Cited**

| U.S. PATENT DOCUMENTS | | | |
|-----------------------|-----|---------|-----------------------------|
| 3,188,665 | A * | 6/1965 | Snyder 297/452.57 |
| 3,239,854 | A * | 3/1966 | Freedlander 5/636 |
| 3,287,748 | A * | 11/1966 | Trogdon et al. 428/218 |
| 3,924,283 | A | 12/1975 | Shave |
| 4,803,743 | A | 2/1989 | Greenwalt |
| 4,850,068 | A | 7/1989 | Walpin |
| 5,138,732 | A | 8/1992 | Wattie |
| 5,533,218 | A | 7/1996 | Fahy |
| 5,689,844 | A | 11/1997 | Liu |
| 6,230,347 | B1 | 5/2001 | Alexander |
| 6,668,404 | B2 | 12/2003 | Lanteri |
| D507,142 | S | 7/2005 | Akamatsu |
| D516,855 | S | 3/2006 | Akamatsu |
| D517,849 | S | 3/2006 | Akamatsu |

(57) **CLAIM**
The ornamental design for a pillow, as shown and described.
DESCRIPTION

FIG. 1 is a perspective view of a pillow;
FIG. 2 is a top view thereof, the bottom view being identical thereto;
FIG. 3 is a left side view thereof, the right side view being identical thereto;
FIG. 4 is an upper side view thereof, the lower side view being identical thereto;
FIG. 5 is a perspective view of a variant of the pillow;
FIG. 6 is a top view thereof, the bottom view being identical thereto;
FIG. 7 is a left side view thereof, the right side being identical thereof; and,
FIG. 8 is an upper side view thereof, the lower side view being identical thereto.

1 Claim, 4 Drawing Sheets



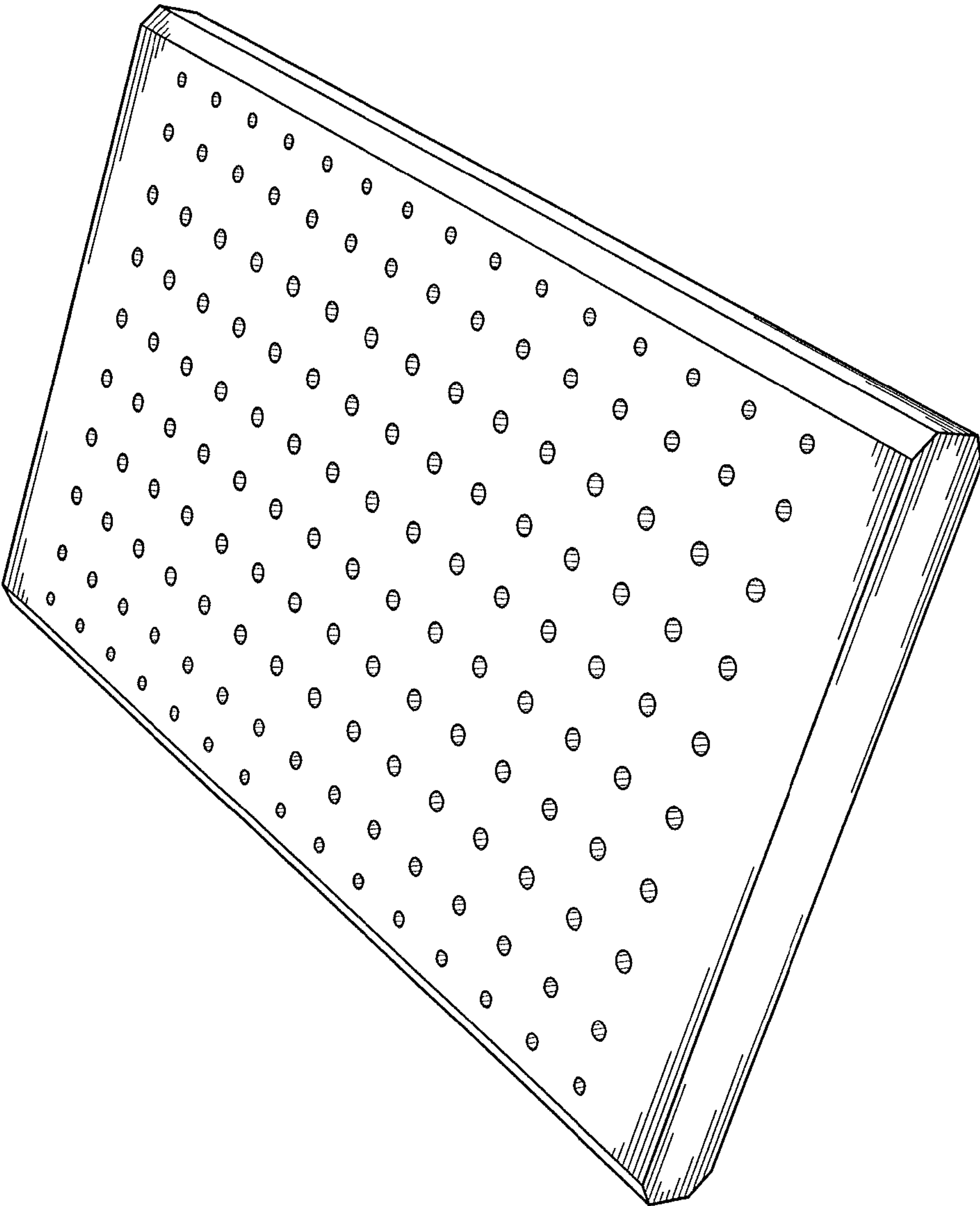


FIG.1



FIG. 3

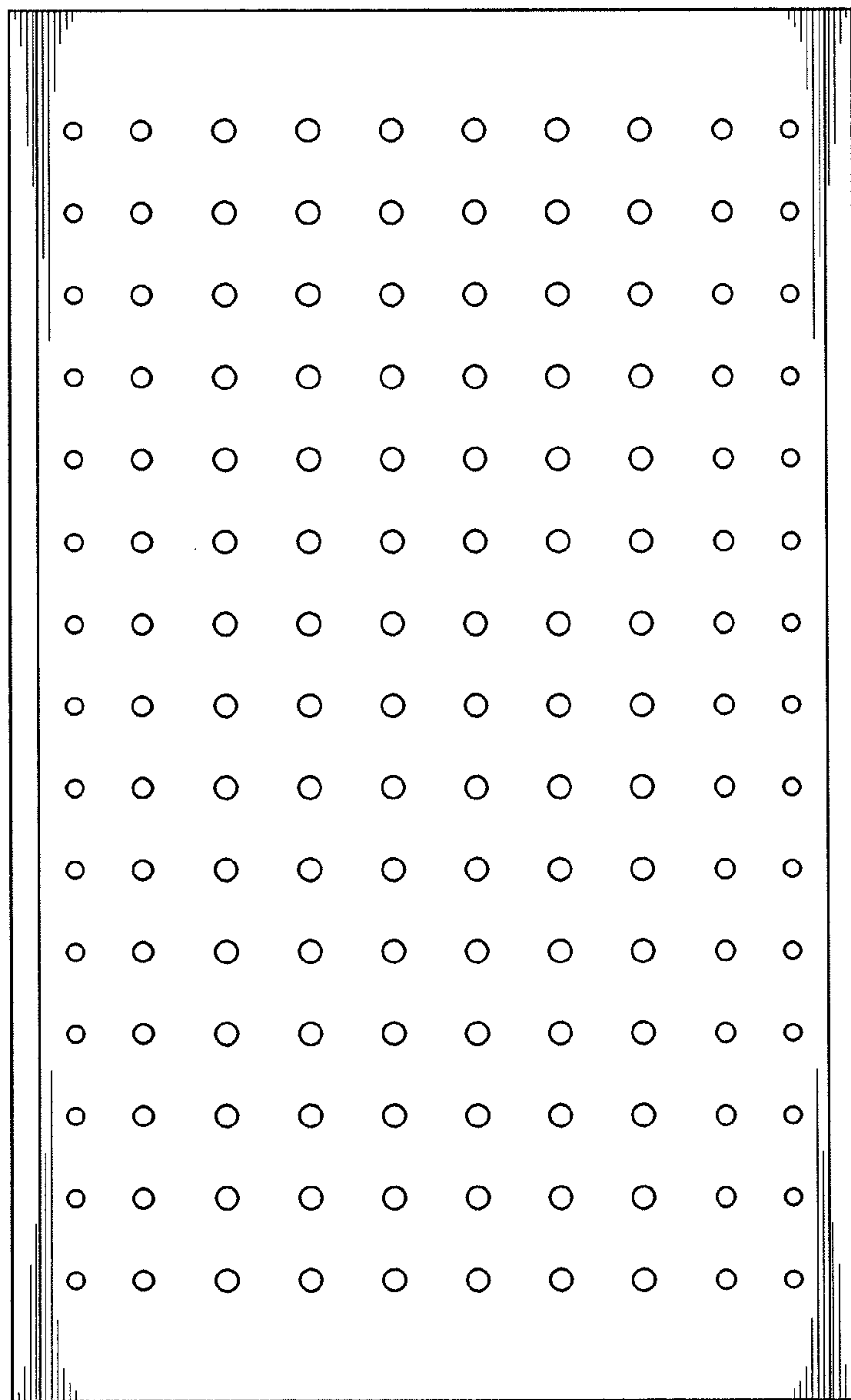


FIG. 2



FIG. 4

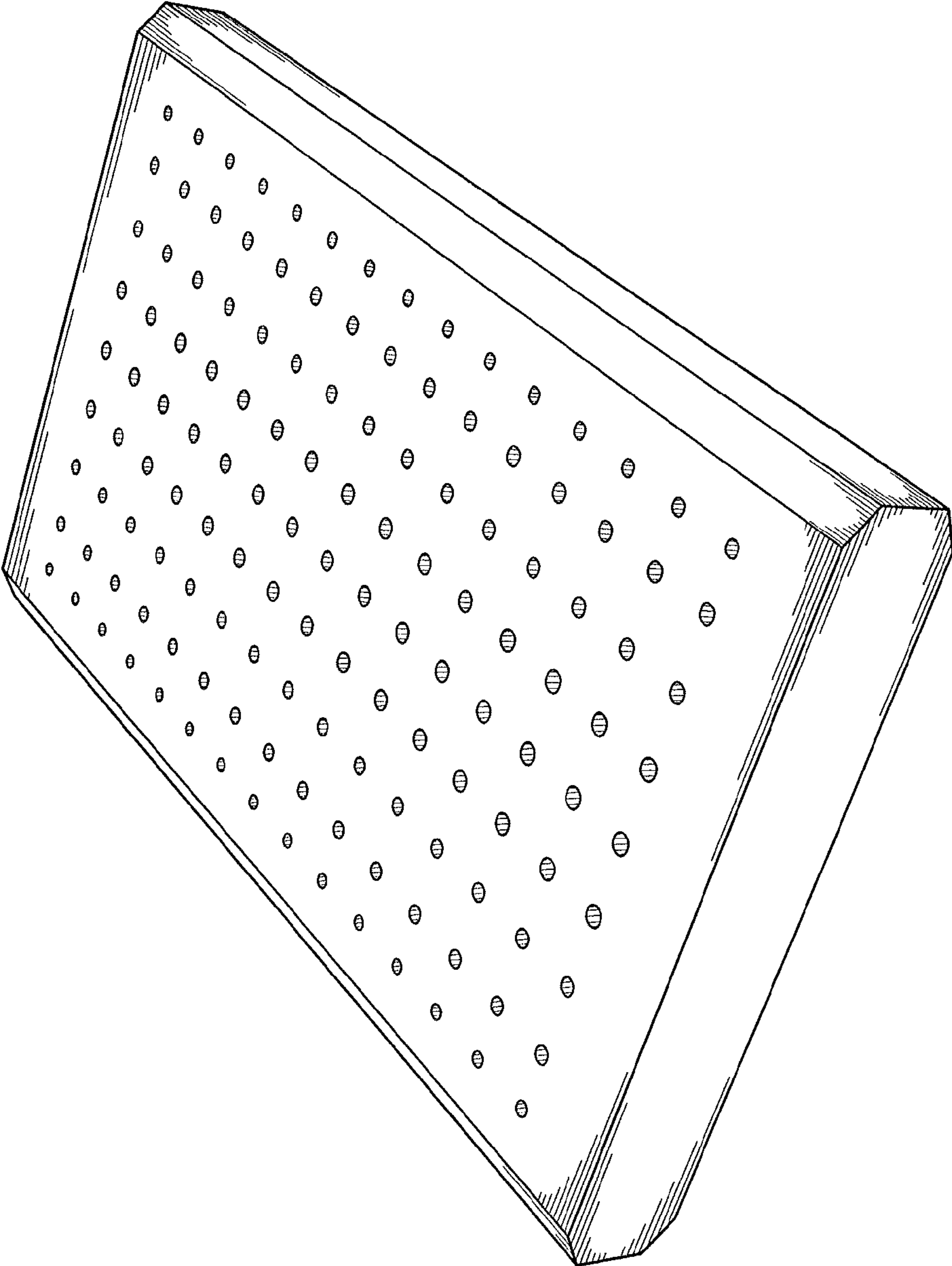


FIG. 5

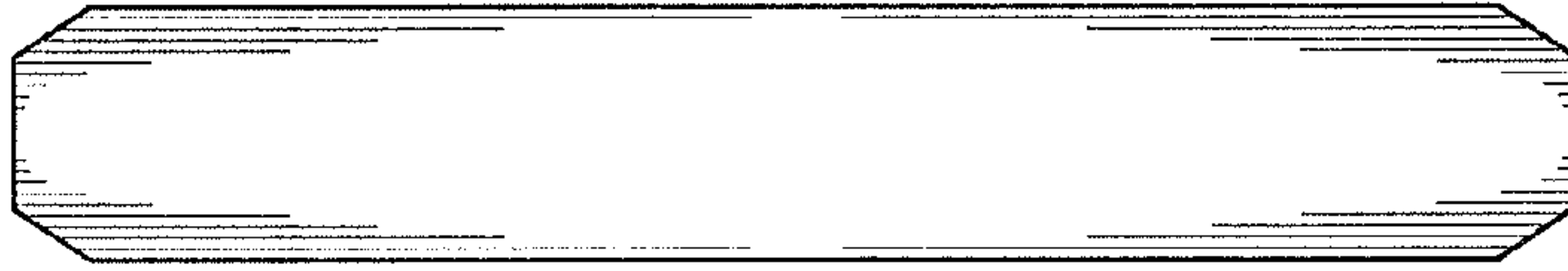


FIG. 7

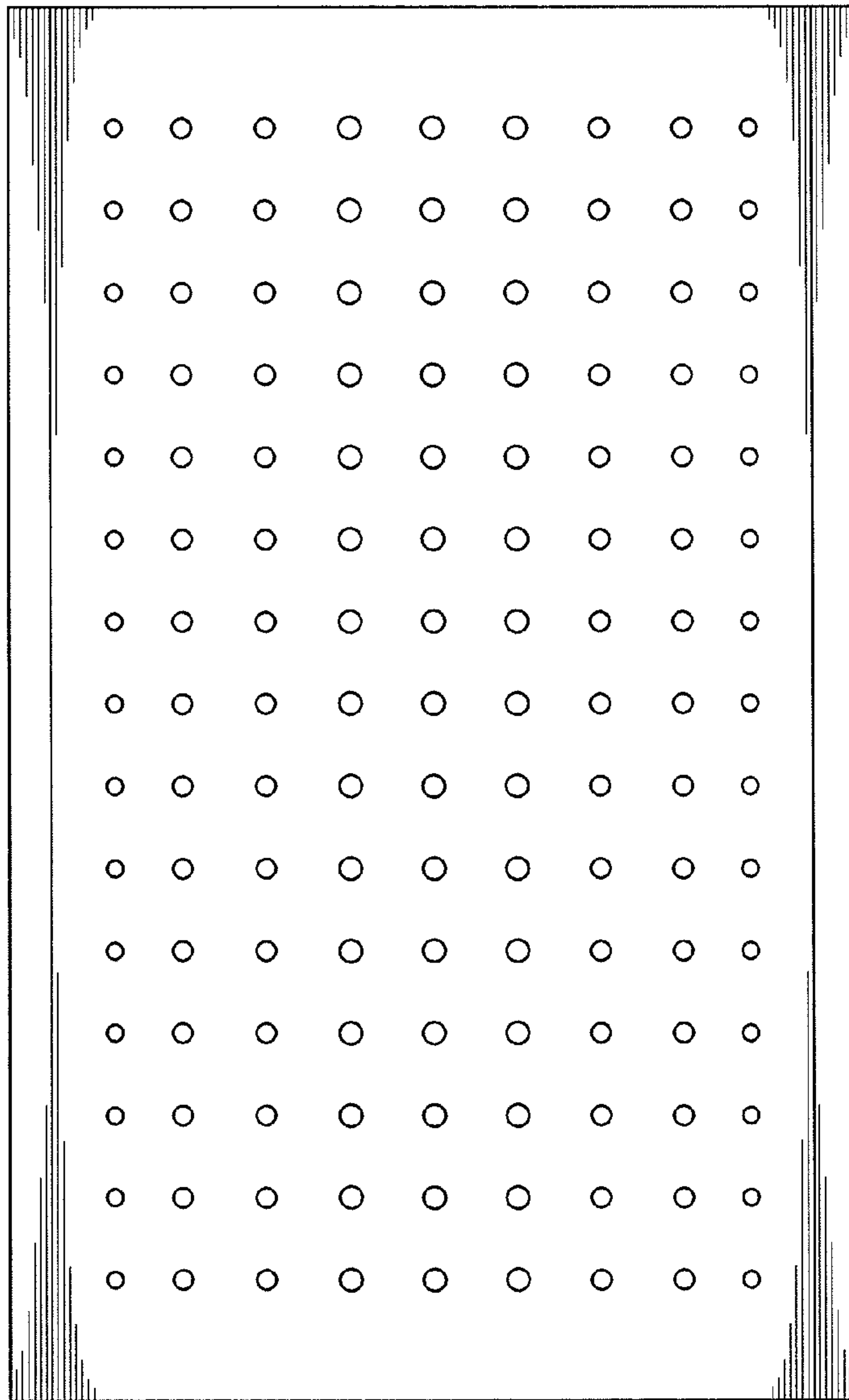


FIG. 6

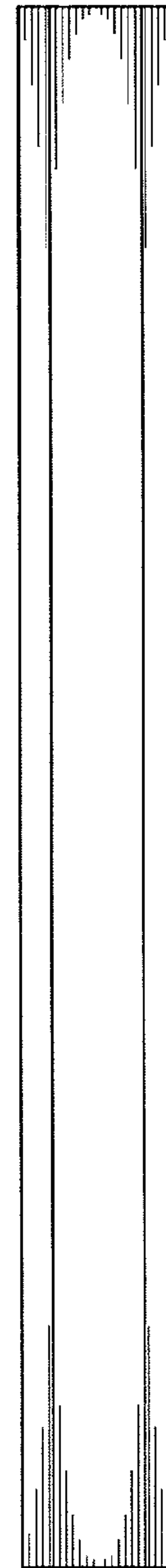


FIG. 8