



US00D677504S

(12) **United States Design Patent**  
**Childs**

(10) **Patent No.:** **US D677,504 S**  
(45) **Date of Patent:** **\*\* Mar. 12, 2013**

- (54) **DUMBBELL HOLDERS**
- (75) Inventor: **Martin Childs**, Peterborough (GB)
- (73) Assignee: **Escape Fitness Limited** (GB)
- (\*\*) Term: **14 Years**
- (21) Appl. No.: **29/422,056**
- (22) Filed: **May 16, 2012**
- (30) **Foreign Application Priority Data**

D565,132 S \* 3/2008 Lien et al. .... D6/552  
 D577,234 S \* 9/2008 Webber et al. .... D6/552  
 D603,637 S \* 11/2009 Anderson et al. .... D6/552

\* cited by examiner

*Primary Examiner* — Brian N Vinson  
 (74) *Attorney, Agent, or Firm* — Ryan A. Schneider, Esq.;  
 Troutman Sanders LLP

- Oct. 13, 2011 (EM) ..... 001931593-0002
- (51) **LOC (9) Cl.** ..... **08-08**
- (52) **U.S. Cl.** ..... **D6/552**
- (58) **Field of Classification Search** ..... D6/552;  
 D21/662, 686, 691; 482/104, 148; 248/339;  
 211/13.2, 85  
 See application file for complete search history.

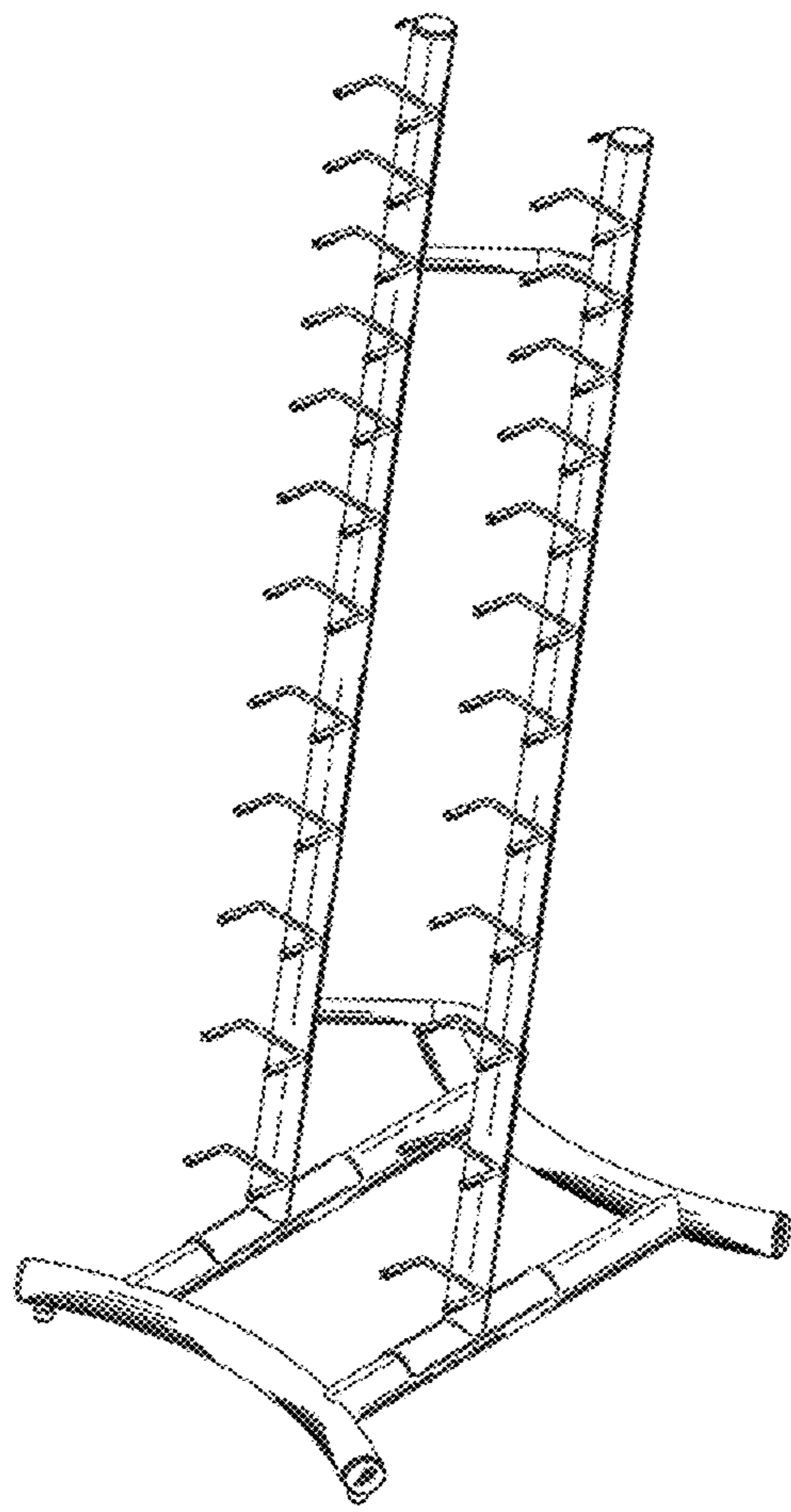
(57) **CLAIM**  
 The ornamental design for the dumbbell holders, as shown  
 and described.

- (56) **References Cited**
- U.S. PATENT DOCUMENTS
- D555,961 S \* 11/2007 Lien et al. .... D6/552
- D560,089 S \* 1/2008 DeMeyer ..... D6/552

**DESCRIPTION**

FIG. 1 is a front perspective view of the dumbbell holders of the present invention;  
 FIG. 2 is a back view of the dumbbell holders of FIG. 1;  
 FIG. 3 is a front view of the dumbbell holders of FIG. 1;  
 FIG. 4 is a side view of the dumbbell holders of FIG. 1, the other side view being an identical image;  
 FIG. 5 is a top view of the dumbbell holders of FIG. 1; and,  
 FIG. 6 is a bottom view of the dumbbell holders of FIG. 1.

**1 Claim, 4 Drawing Sheets**



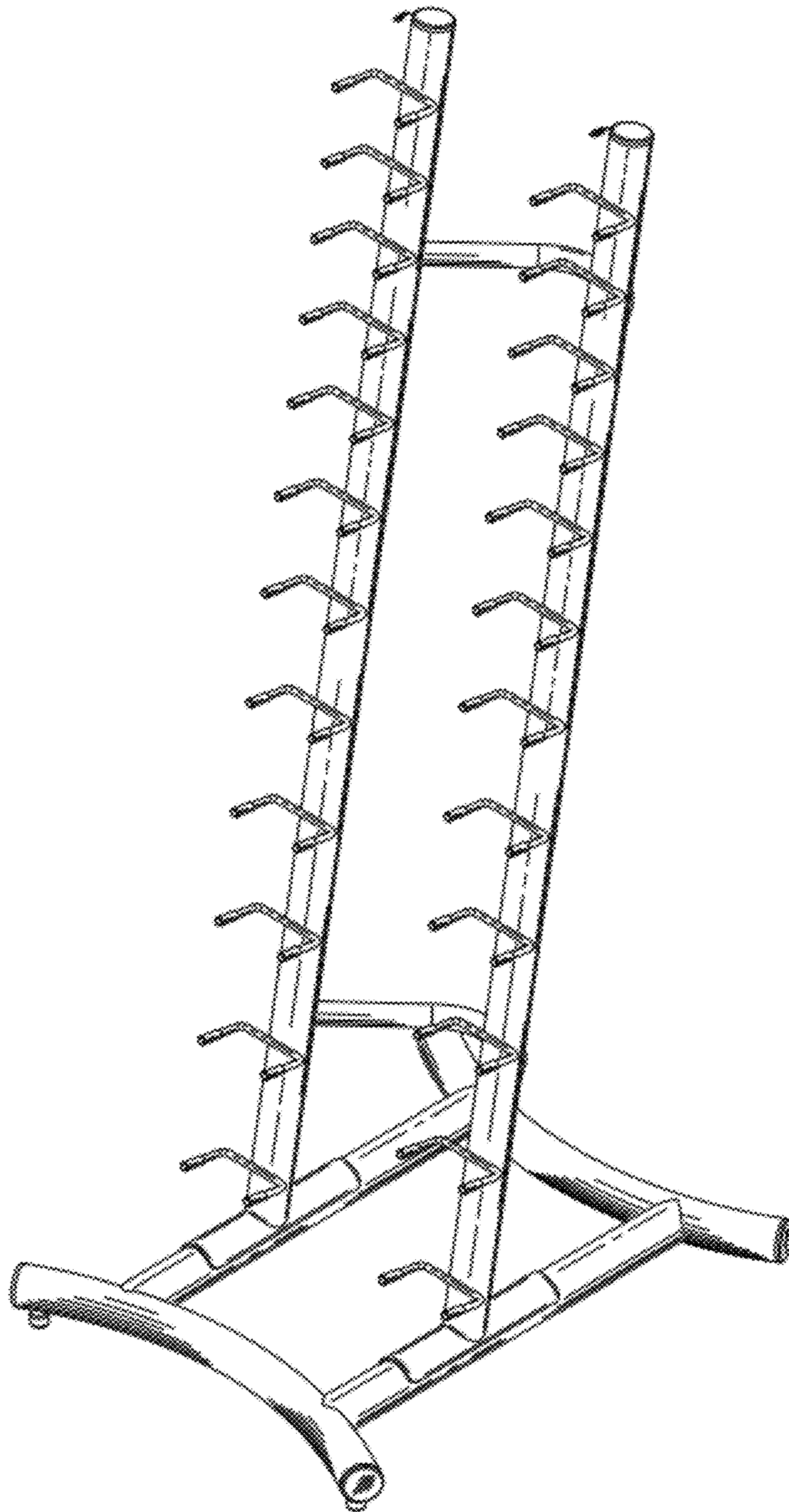


FIG. 1



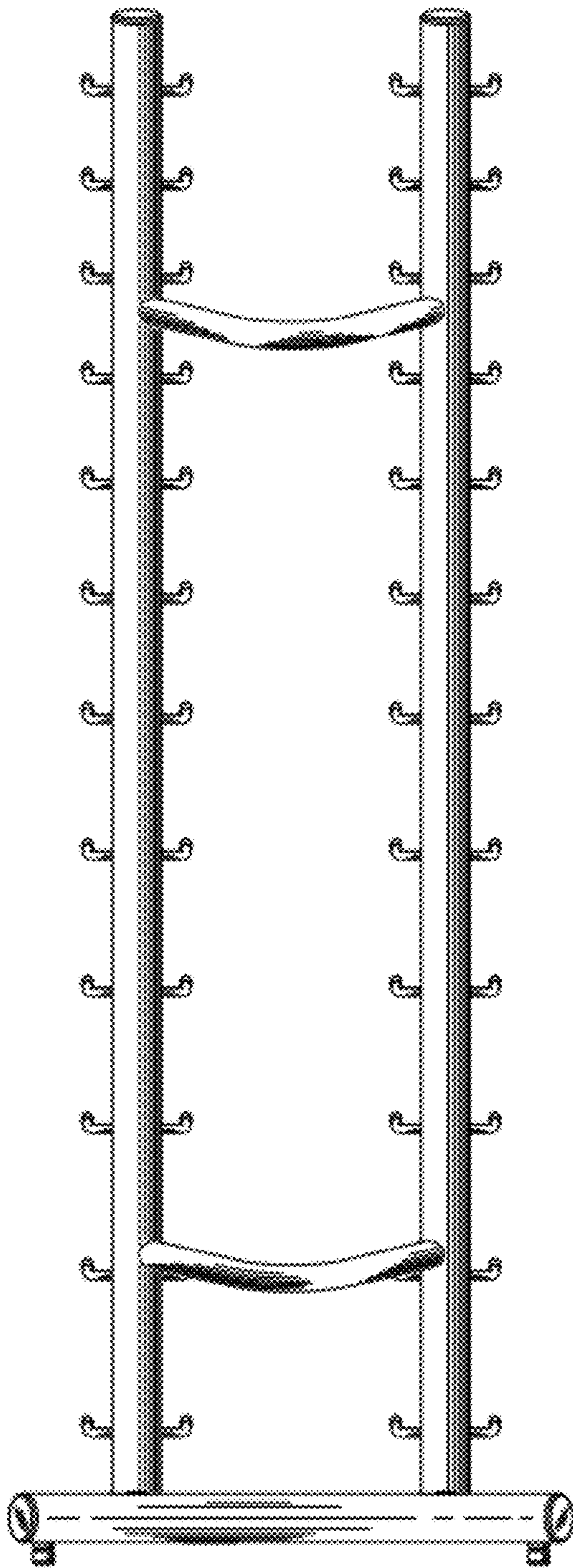


FIG. 2

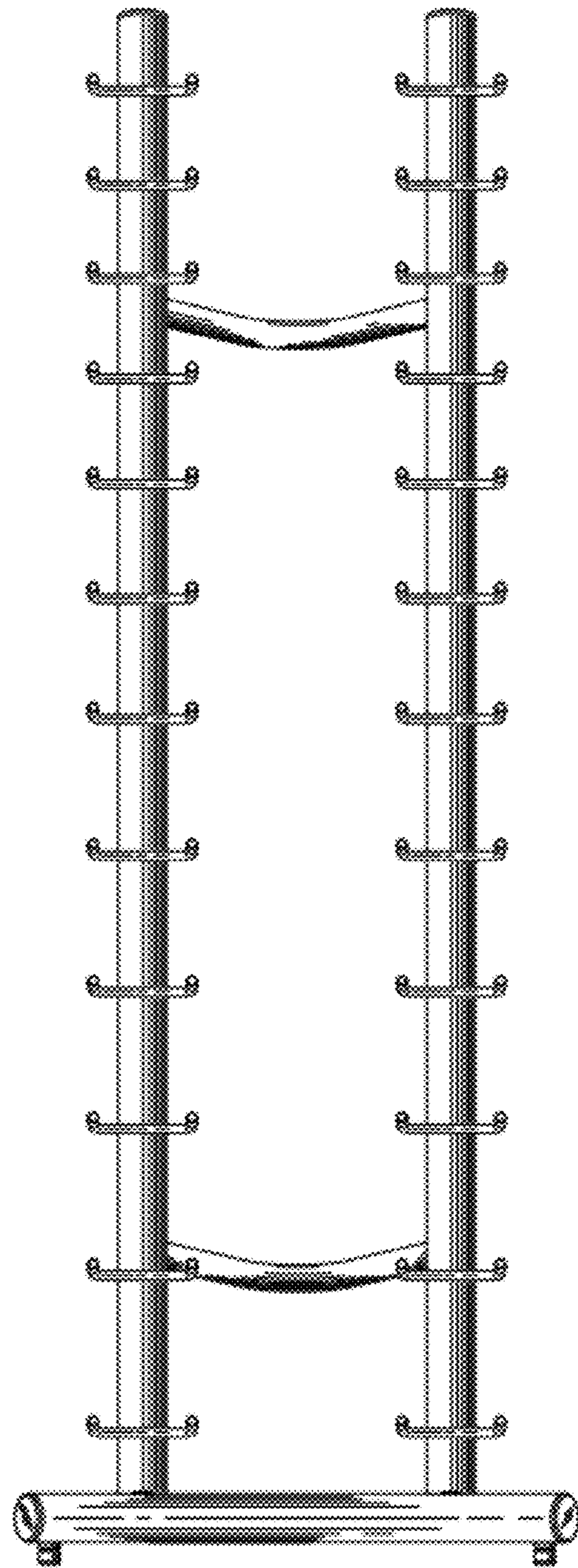


FIG. 3

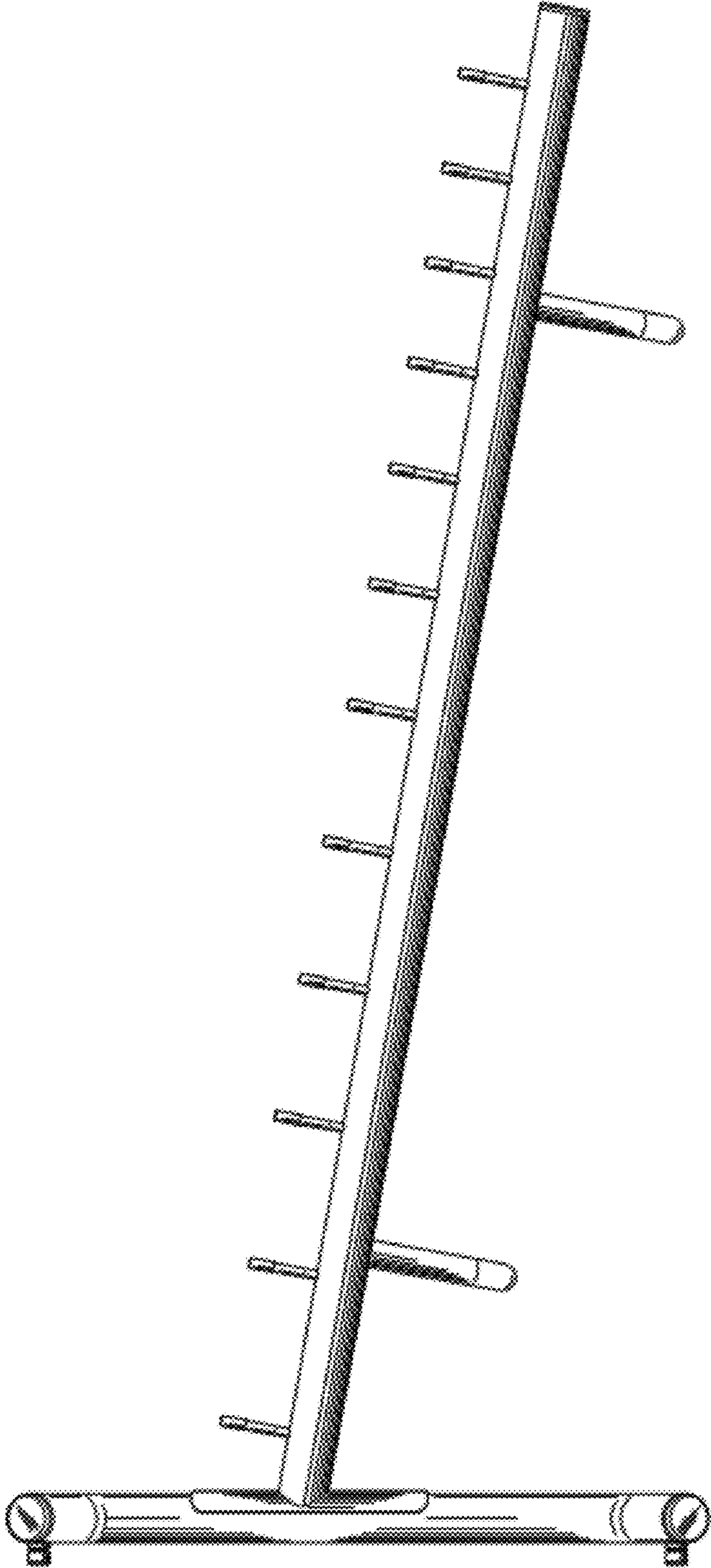


FIG. 4



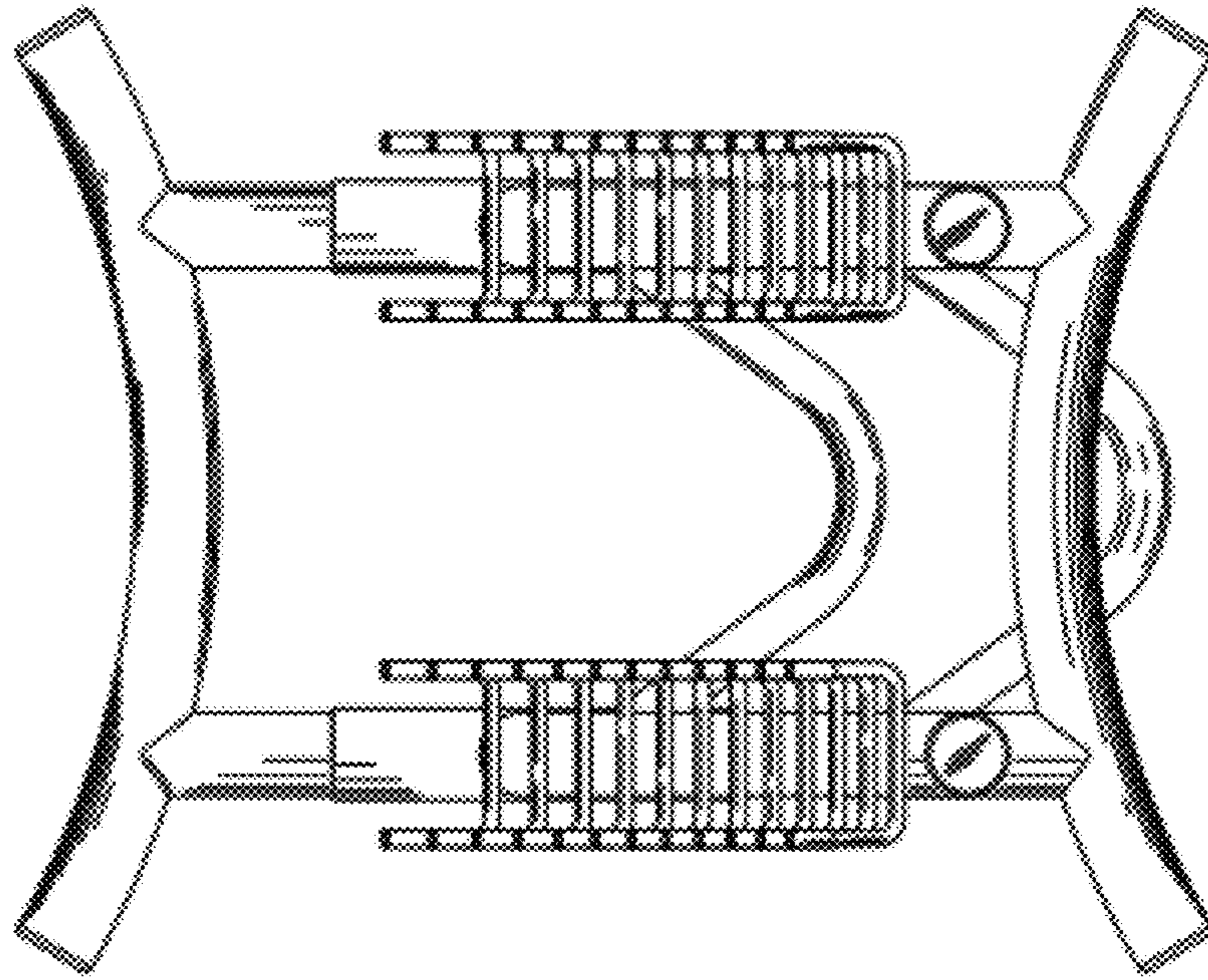


FIG. 5

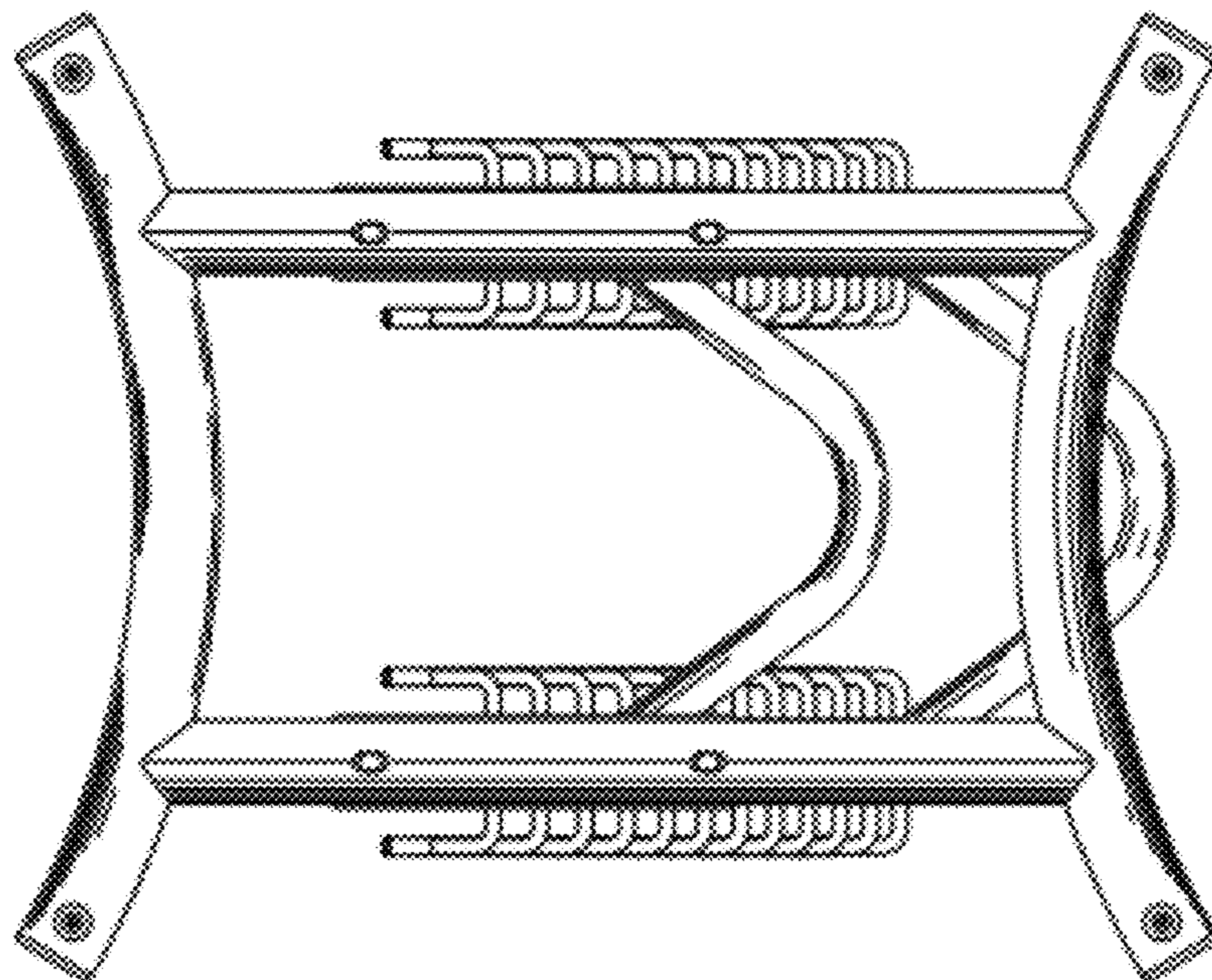


FIG. 6