



US00D677502S

(12) **United States Design Patent**  
**Ryan**

(10) **Patent No.:** **US D677,502 S**

(45) **Date of Patent:** **\*\* \*Mar. 12, 2013**

(54) **GONDOLA ADAPTOR SHELF SYSTEM**

(76) Inventor: **Patrick C. Ryan**, San Ramon, CA (US)

(\*) Notice: This patent is subject to a terminal disclaimer.

(\*\*) Term: **14 Years**

(21) Appl. No.: **29/406,068**

(22) Filed: **Nov. 9, 2011**

(51) **LOC (9) Cl.** ..... **06-99**

(52) **U.S. Cl.** ..... **D6/511**

(58) **Field of Classification Search** ..... D6/553,  
D6/567, 555, 574, 474, 461, 468, 570, 569,  
D6/511, 491, 492, 509; 108/40, 42, 35, 59,  
108/91, 92, 96, 134, 115, 152; 211/87.01,  
211/90.04, 90.02, 119.005, 126.5, 134, 40,  
211/41.12, 42, 49.1, 50; D8/349, 354, 363,  
D8/366, 373, 380, 381, 400

See application file for complete search history.

(56) **References Cited**

**U.S. PATENT DOCUMENTS**

4,872,567	A	10/1989	Bustos	
5,390,802	A	2/1995	Pappagallo et al.	
5,472,103	A	12/1995	Meri	
5,509,541	A	4/1996	Meri	
5,529,192	A *	6/1996	Conen et al.	211/189
5,582,116	A *	12/1996	Spimpolo	108/108
5,611,442	A	3/1997	Howard	
5,697,507	A *	12/1997	Blass	211/94.01
5,769,247	A *	6/1998	Merl	211/103
5,848,711	A *	12/1998	Schmit	211/90.04
5,921,411	A	7/1999	Meri	
6,079,173	A *	6/2000	Waalkes et al.	211/192
D445,019	S *	7/2001	Vitetta	D8/366
6,520,355	B1	2/2003	Pritchard et al.	
D490,697	S *	6/2004	Runnalls	D8/380
6,918,499	B2	7/2005	De Land et al.	
D565,399	S *	4/2008	Grey	D8/380

D598,686	S *	8/2009	Erickson	D6/511
D637,897	S *	5/2011	Tedesco et al.	D8/394
D653,528	S *	2/2012	Choi et al.	D8/381

\* cited by examiner

*Primary Examiner* — Brian N Vinson

(74) *Attorney, Agent, or Firm* — J. E. McTaggart

(57) **CLAIM**

The ornamental design for a gondola adaptor shelf system, as shown and described.

**DESCRIPTION**

FIG. 1 is a front elevational view of a gondola adaptor system showing a first embodiment of my design.

FIG. 2 is top, front and left side perspective view thereof.

FIG. 3 is an enlarged fragmentary top, front and left side perspective view thereof with portions of the adaptor system being omitted for clarity of illustration and with the broken line disclosure of a portion of merchandise gondola being for illustrative purposes only and forming no part of the claimed design.

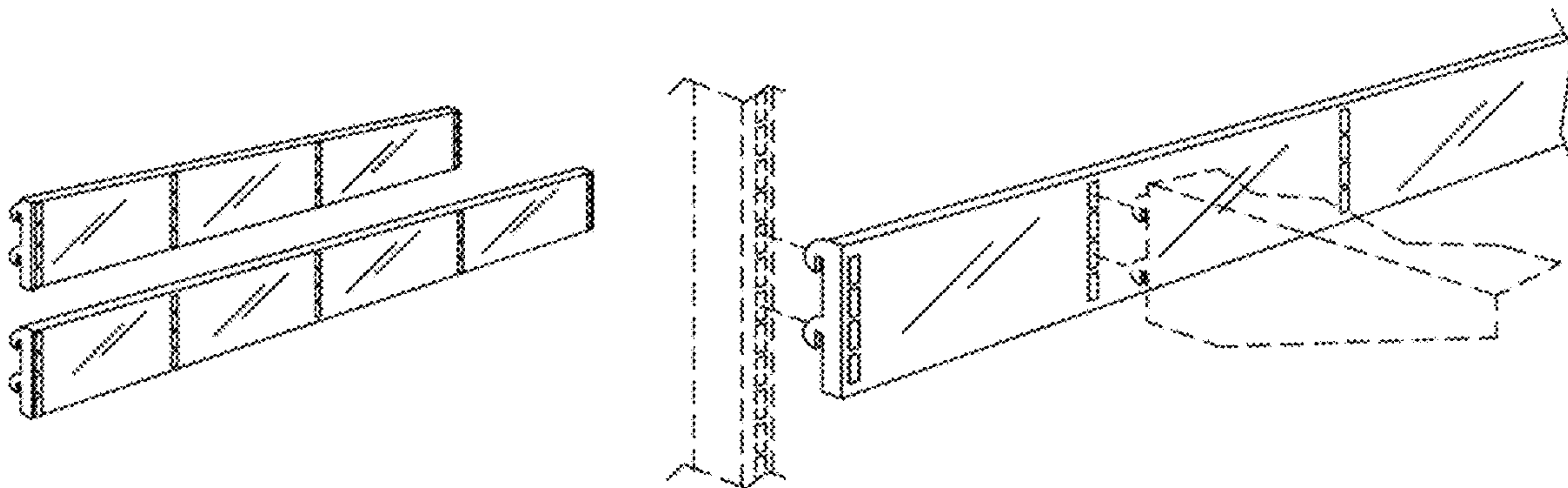
FIG. 4 is a reduced top, front and left side perspective view of a merchandise gondola, the broken line disclosure being for illustrative purposes only and forming no part of the claimed design.

FIG. 5 is a reduced top, front and left side perspective view of a second embodiment of a gondola adaptor shelving system showing my new design, with the broken line disclosure of a gondola being for illustrative purposes only and forming no part of the claimed design.

FIG. 6 is a reduced top, front and left side perspective view of a merchandise gondola, the broken line disclosure being for illustrative purposes only and forming no part of the claimed design; and,

FIG. 7 is a reduced top, front and left side perspective view of a third embodiment of a gondola adaptor shelving system showing my new design, with the broken line disclosure of a gondola being for illustrative purposes only and forming no part of the claimed design.

**1 Claim, 3 Drawing Sheets**



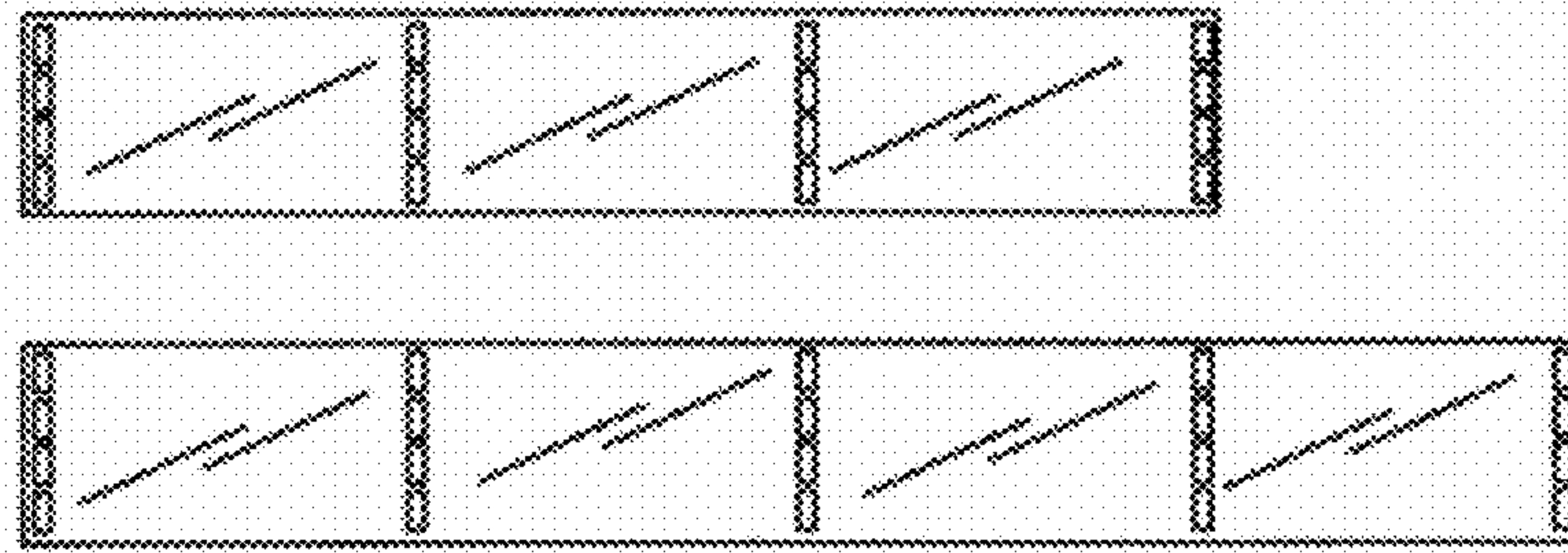


FIG. 1

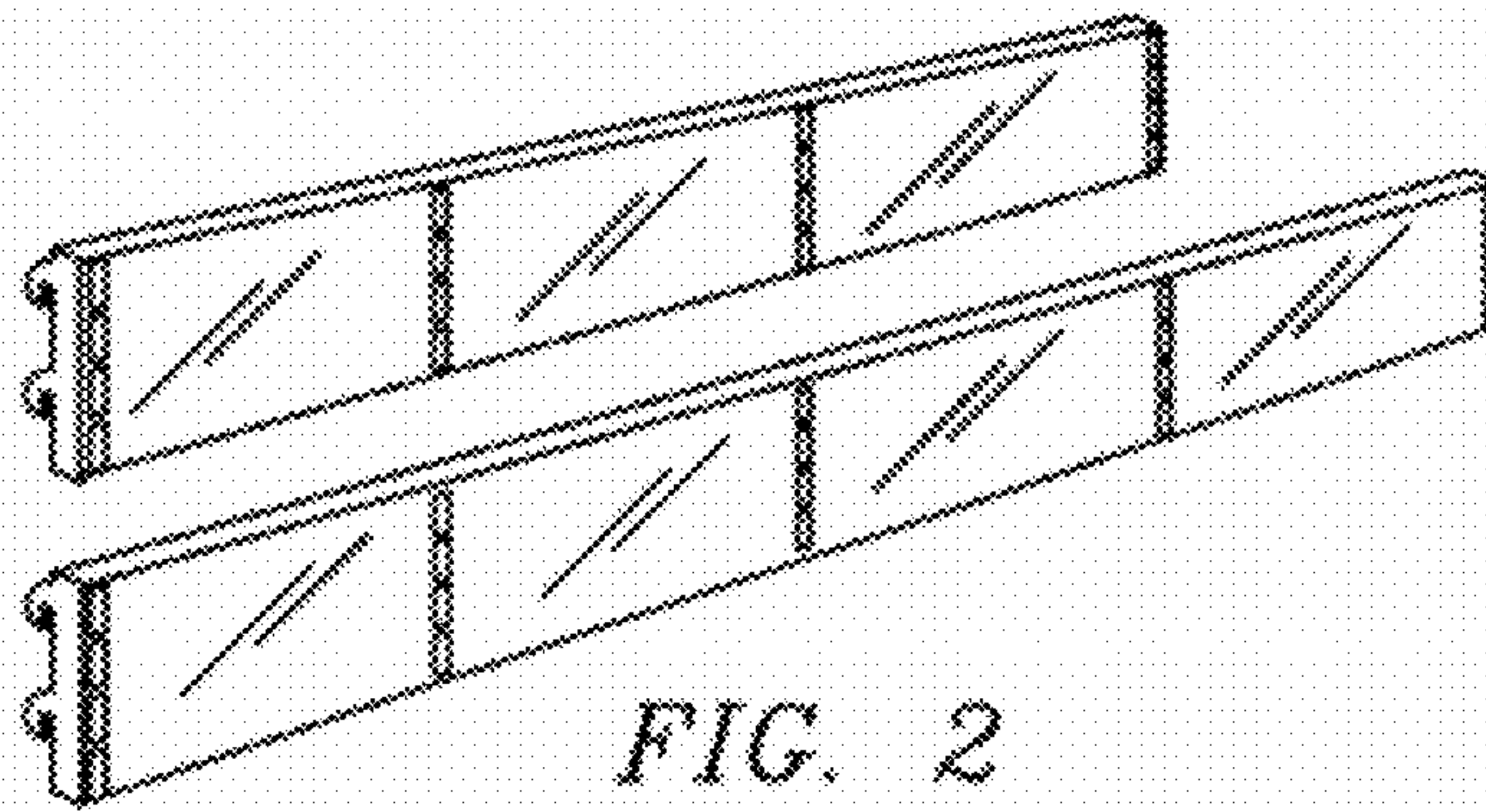


FIG. 2

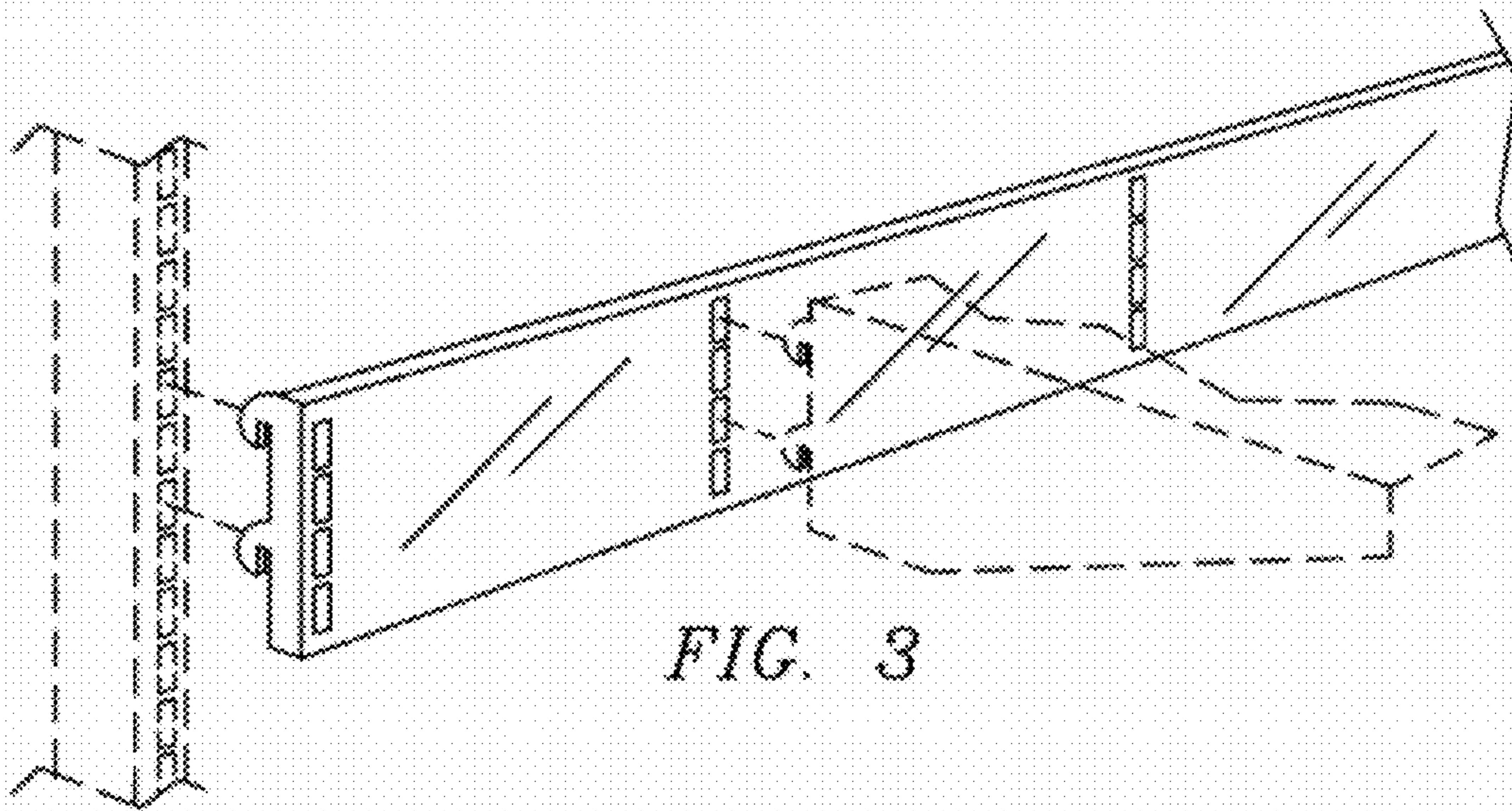


FIG. 3



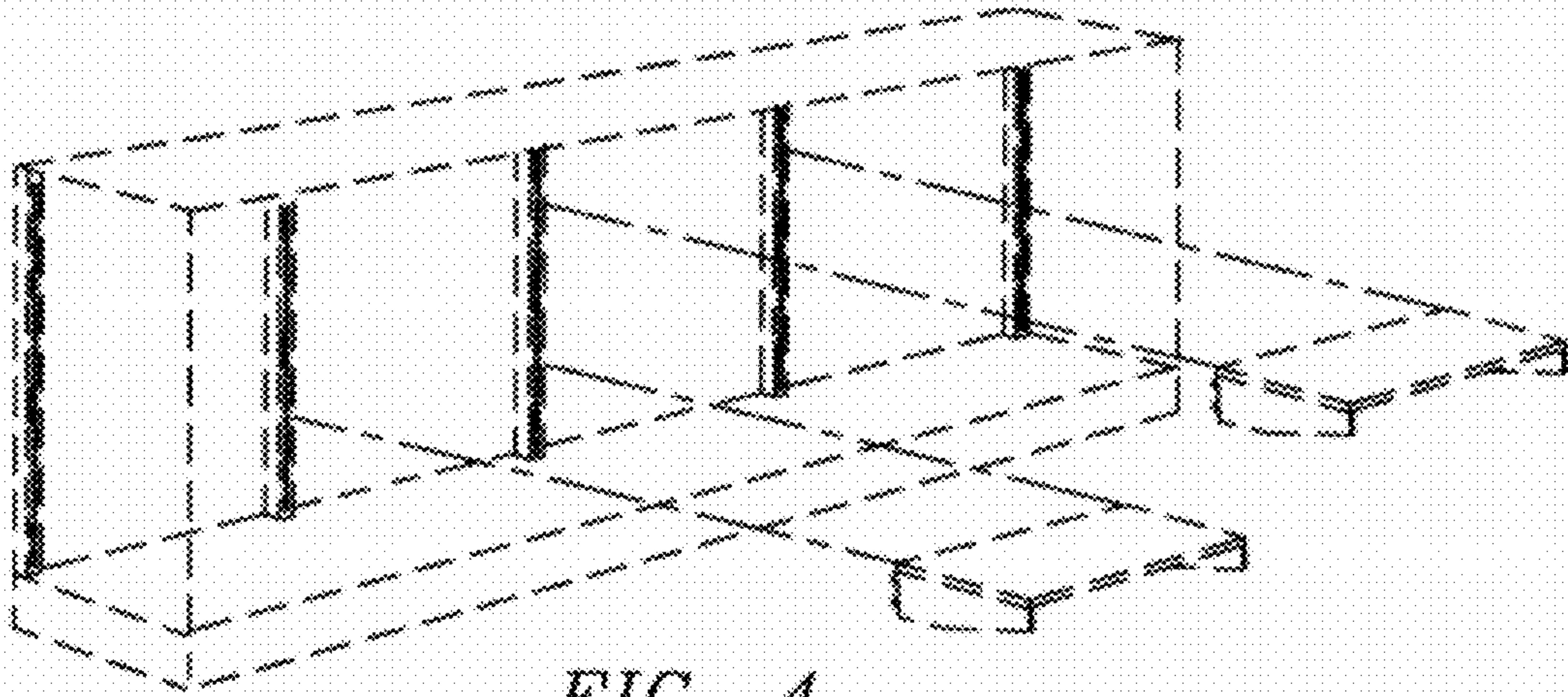


FIG. 4

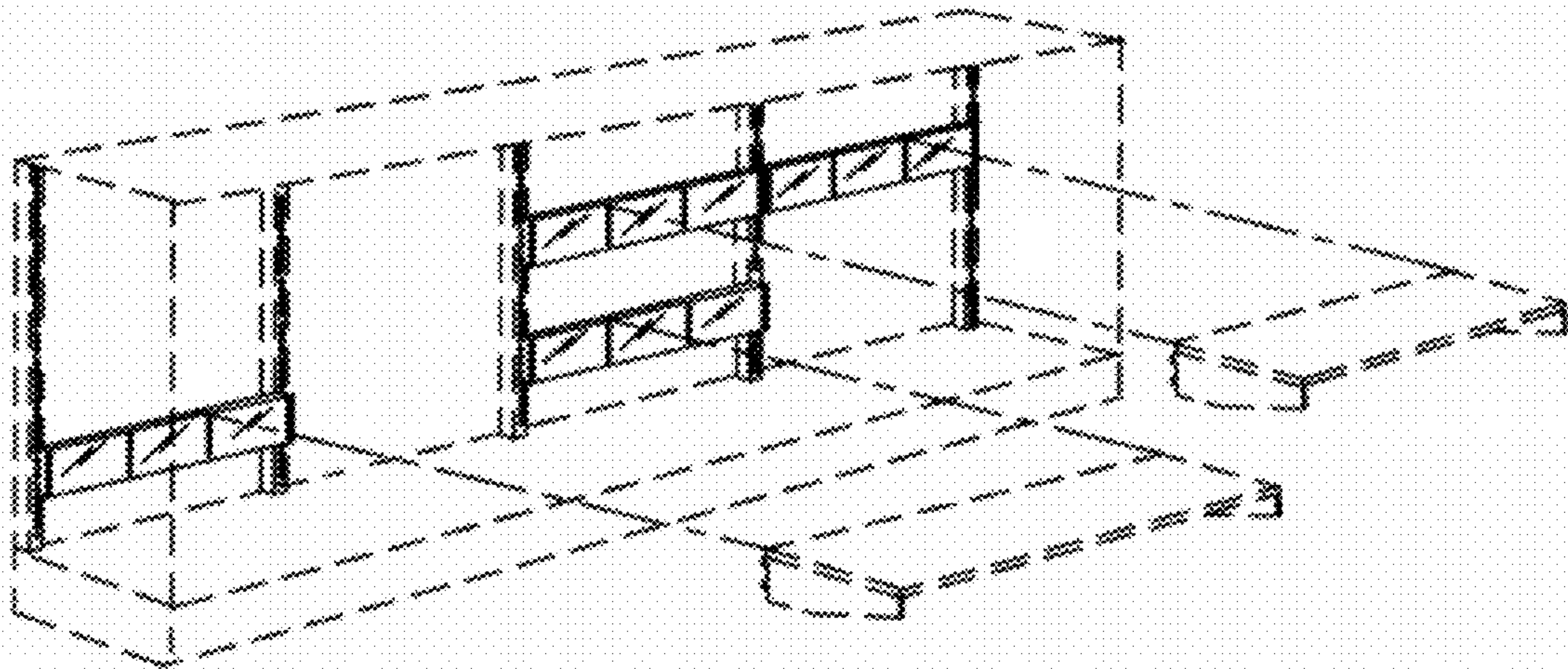


FIG. 5

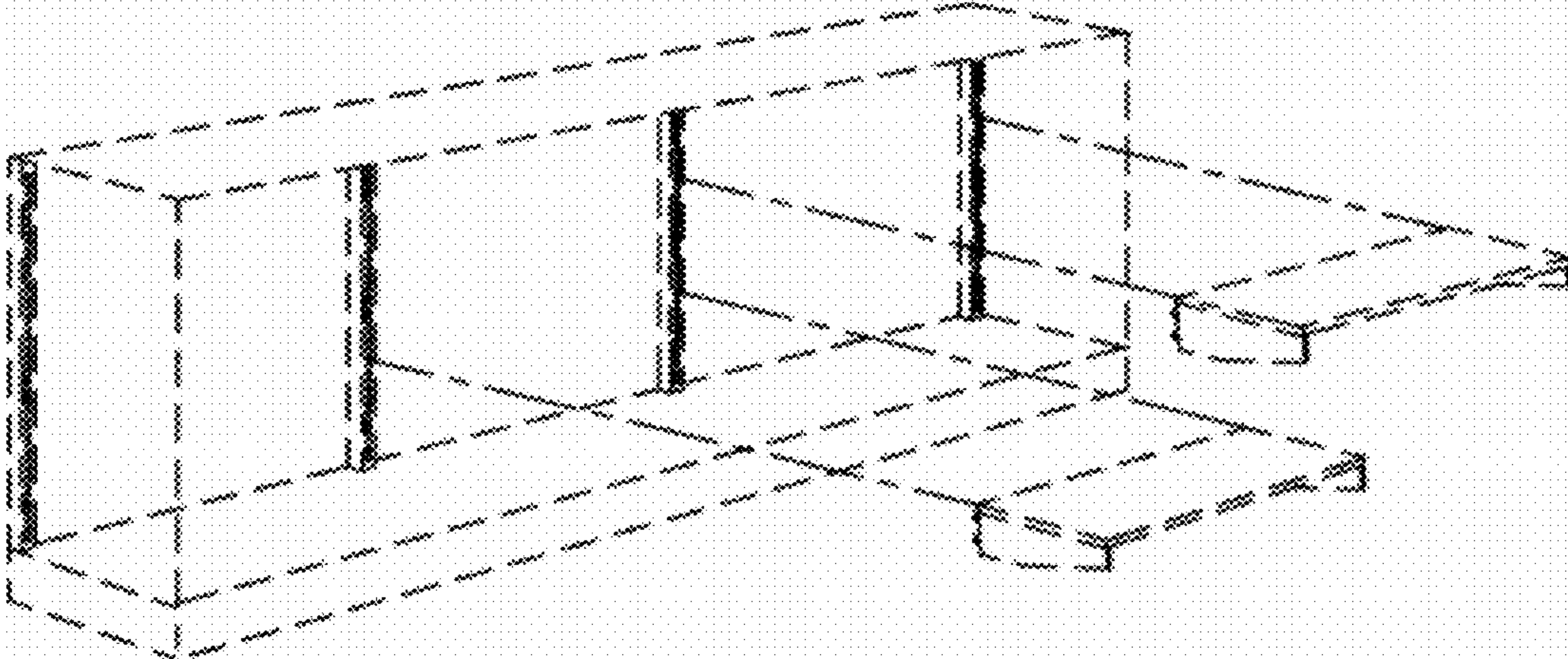


FIG. 6

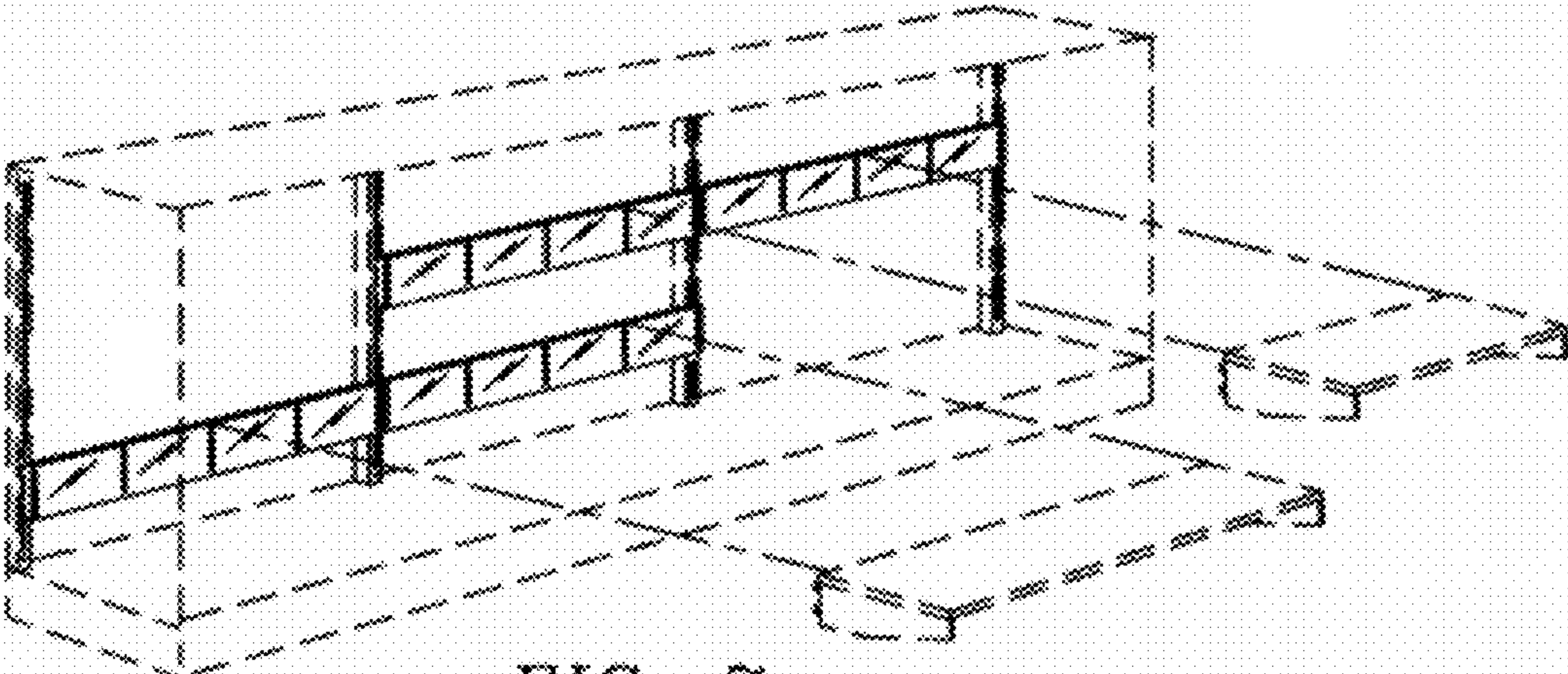


FIG. 7