



US00D677501S

(12) **United States Design Patent**
Kuzyk

(10) **Patent No.:** **US D677,501 S**
(45) **Date of Patent:** **** Mar. 12, 2013**

- (54) **PANEL**
- (75) **Inventor:** **Andrew William Kuzyk, Toronto (CA)**
- (73) **Assignee:** **Entro Inc., Toronto, Ontario (CA)**
- (**) **Term:** **14 Years**
- (21) **Appl. No.:** **29/426,108**
- (22) **Filed:** **Jun. 29, 2012**

Related U.S. Application Data

- (62) Division of application No. 29/388,327, filed on Mar. 28, 2011.
 - (51) **LOC (9) Cl.** **06-04**
 - (52) **U.S. Cl.** **D6/509**
 - (58) **Field of Classification Search** D6/466, D6/467, 509, 396, 468, 477, 491; 211/94.01, 211/94.02, 189; D25/138, 125; 40/618, 40/585
- See application file for complete search history.

References Cited

U.S. PATENT DOCUMENTS

| | | | |
|-----------|---|---------|---------------|
| 1,156,866 | A | 10/1915 | Ford |
| 1,658,937 | A | 2/1928 | Nelson |
| 2,323,049 | A | 6/1943 | Johnson |
| D161,418 | S | 1/1951 | Bunin |
| 2,682,125 | A | 6/1954 | Coffield |
| 2,689,423 | A | 9/1954 | Atkin |
| 2,802,551 | A | 8/1957 | Roberts |
| 2,880,537 | A | 4/1959 | Cygan |
| 3,270,452 | A | 9/1966 | D'Elia et al. |
| 3,274,707 | A | 9/1966 | Garden |
| 3,339,301 | A | 9/1967 | Doris et al. |
| 3,470,640 | A | 10/1969 | Knowles |
| 3,722,120 | A | 3/1973 | Finkel |
| 4,184,277 | A | 1/1980 | Larin |
| D257,047 | S | 9/1980 | Stenersen |
| 4,364,216 | A | 12/1982 | Koller |
| D279,449 | S | 7/1985 | Finger, Jr. |
| 4,589,557 | A | 5/1986 | Bollmann |
| 4,653,209 | A | 3/1987 | Cobb |
| 4,977,698 | A | 12/1990 | Seggerson |
| 5,029,406 | A | 7/1991 | Hofman |
| D319,509 | S | 8/1991 | Ogilvie |

| | | | | |
|--------------|-----|---------|----------------|--------|
| 5,343,646 | A | 9/1994 | Cobb et al. | |
| 5,390,462 | A | 2/1995 | Kreiter | |
| D372,939 | S | 8/1996 | Callas | |
| 5,636,463 | A * | 6/1997 | Sharon et al. | 40/618 |
| D390,732 | S * | 2/1998 | Nadar | D6/509 |
| D399,010 | S | 9/1998 | Current | |
| D414,567 | S | 9/1999 | Burt et al. | |
| D425,734 | S * | 5/2000 | Bauer | D6/491 |
| D426,089 | S * | 6/2000 | Vlah | D6/491 |
| 6,092,320 | A * | 7/2000 | Bringuet | 40/618 |
| 6,325,223 | B1 | 12/2001 | Hannen | |
| 6,363,645 | B1 | 4/2002 | Hunter | |
| D473,664 | S | 4/2003 | Perkins et al. | |
| D511,581 | S | 11/2005 | Holztrager | |
| 7,287,348 | B2 | 10/2007 | Harkins | |
| 2006/0101683 | A1 | 5/2006 | Baker | |
| 2008/0061018 | A1 | 3/2008 | Keller | |

FOREIGN PATENT DOCUMENTS

| | | | |
|----|---------|----|--------|
| FR | 2206921 | A1 | 6/1974 |
| GB | 2207853 | A | 2/1989 |
| WO | 9005354 | | 5/1990 |

* cited by examiner

Primary Examiner — Doris Clark

(74) *Attorney, Agent, or Firm* — Michael G. Johnston; Moore & Van Allen PLLC

(57) **CLAIM**

I claim the ornamental design for a panel, as shown and described.

DESCRIPTION

FIG. 1 is a front elevation view of a panel showing my new design.

FIG. 2 is a rear elevation view of the panel shown in FIG. 1 showing my new design.

FIG. 3 is a left side elevation view of the panel shown in FIG. 1 showing my new design.

FIG. 4 is a right side elevation view of the panel shown in FIG. 1 showing my new design.

FIG. 5 is a top plan view of the panel shown in FIG. 1 showing my new design.

FIG. 6 is a bottom plan view of the panel shown in FIG. 1 showing my new design; and,

FIG. 7 is a perspective view of the panel shown in FIG. 1 showing my new design.

1 Claim, 3 Drawing Sheets

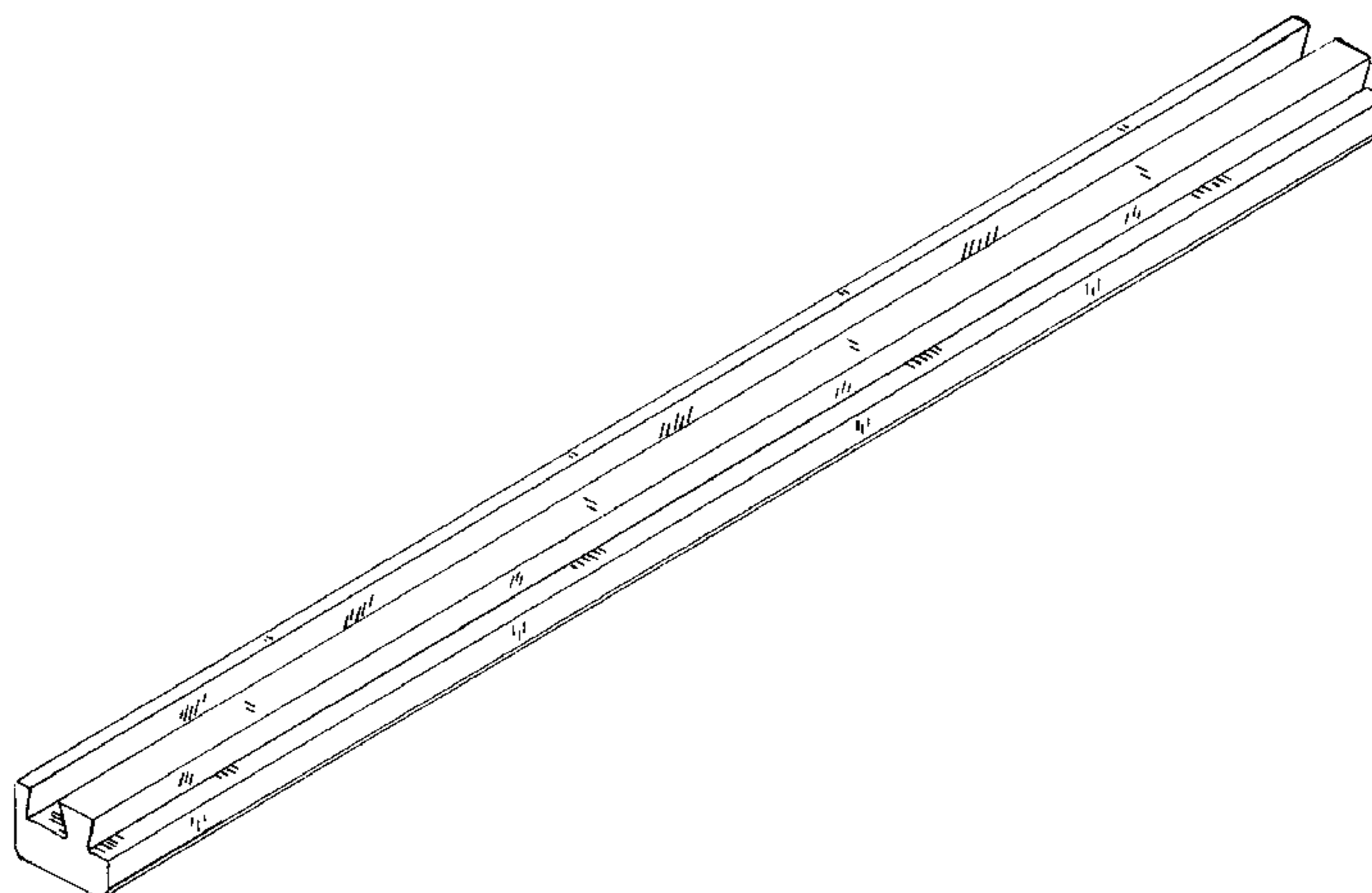




FIG. 1



FIG. 2

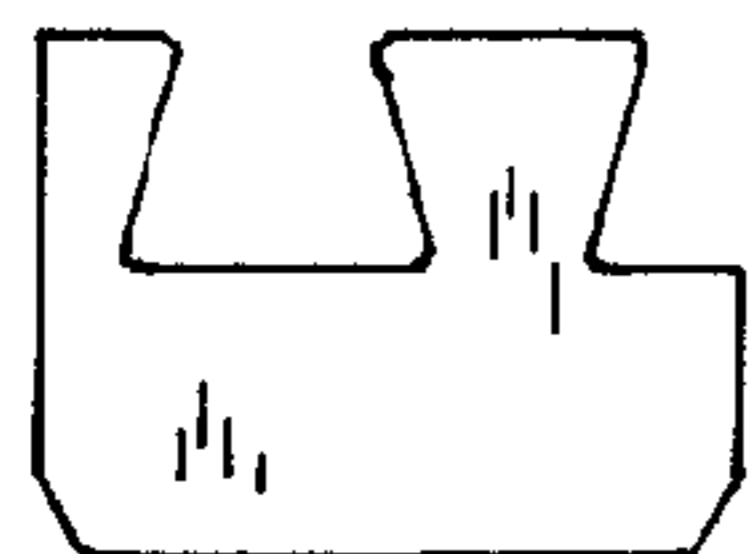


FIG. 3

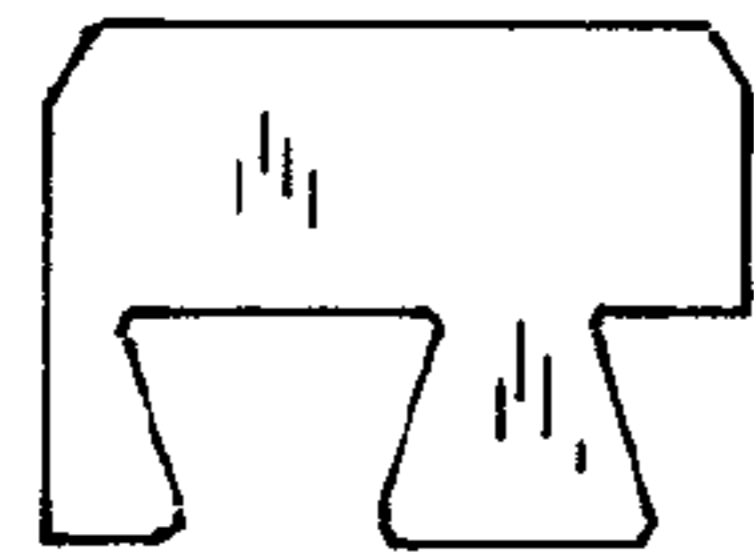


FIG. 4

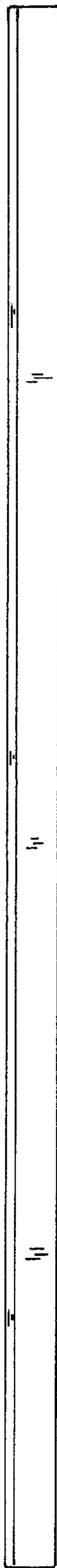


FIG. 5

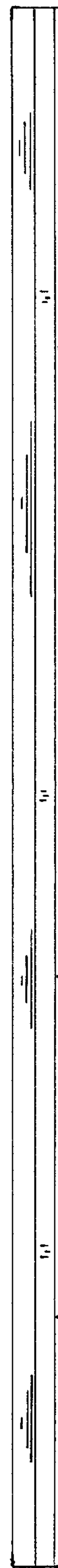


FIG. 6

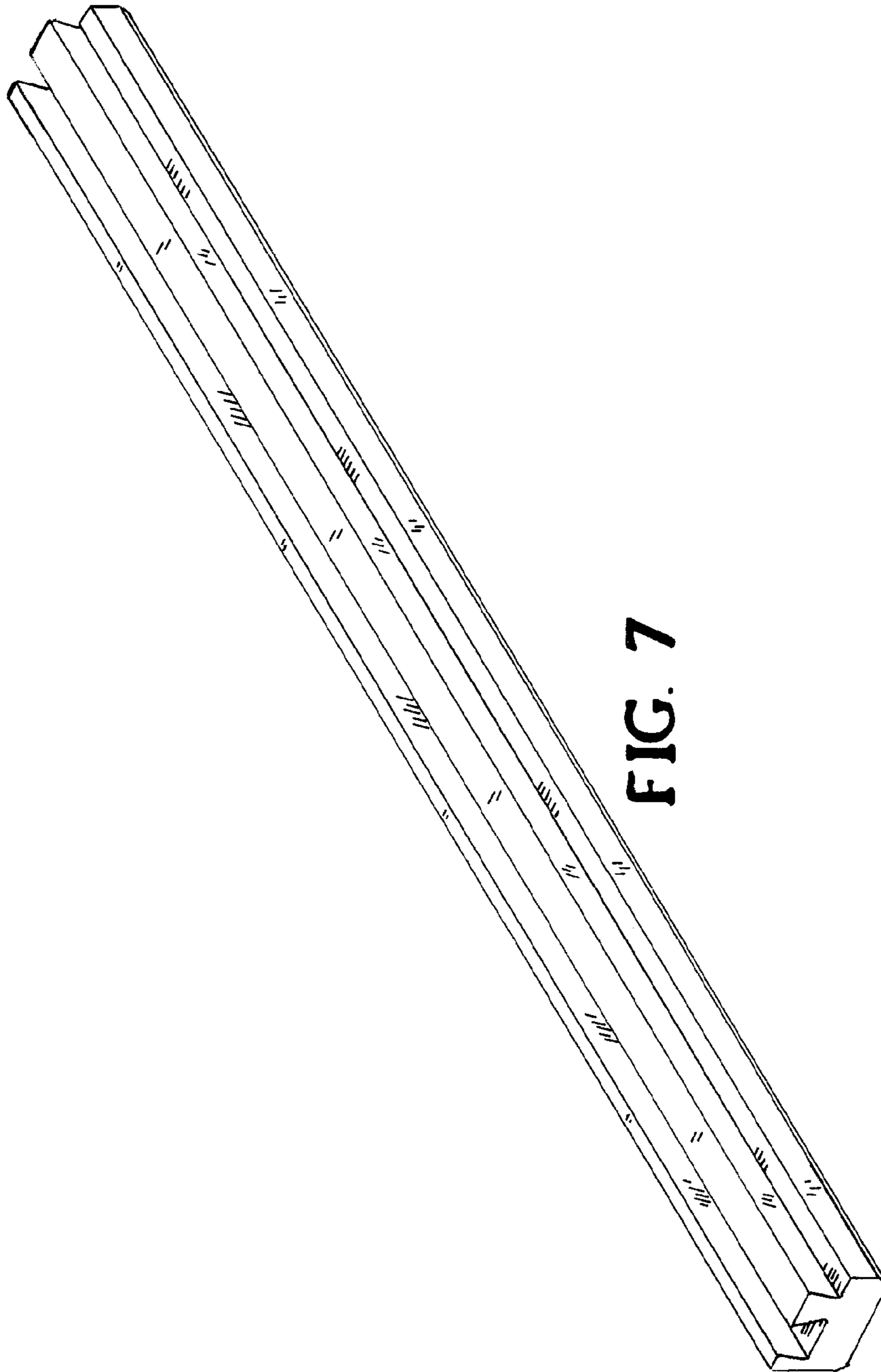


FIG. 7