



US00D677496S

(12) **United States Design Patent**  
**Agati et al.**

(10) **Patent No.:** **US D677,496 S**  
(45) **Date of Patent:** **\*\* Mar. 12, 2013**

(54) **MEDIA DESK**

(75) Inventors: **Joseph Agati**, Chicago, IL (US); **Peter J. Maher**, Chicago, IL (US)

(73) Assignee: **Agati, Inc.**, Chicago, IL (US)

(\*\*) Term: **14 Years**

(21) Appl. No.: **29/423,370**

(22) Filed: **May 31, 2012**

(51) **LOC (9) Cl.** ..... **06-04**

(52) **U.S. Cl.** ..... **D6/397; D6/555**

(58) **Field of Classification Search** ..... D6/555,  
D6/483, 421, 524, 397, 422, 429; D32/66;  
312/245, 192-196, 314; 108/38, 245, 152;  
52/36, 238, 241

See application file for complete search history.

(56) **References Cited**

**U.S. PATENT DOCUMENTS**

D84,667	S	*	7/1931	Conners	.....	D6/397
D157,781	S	*	3/1950	Pahlman	.....	D6/397
2,616,774	A	*	11/1952	Prince	.....	108/38
D179,871	S	*	3/1957	Wrablica	.....	D6/555
2,867,484	A	*	1/1959	Jennings	.....	108/45
D203,346	S	*	12/1965	Hartzell	.....	D6/397
4,155,609	A	*	5/1979	Skafta et al.	.....	312/245
D263,532	S	*	3/1982	Ferdinand et al.	.....	D6/555
D282,030	S	*	1/1986	Sottsass et al.	.....	D6/422
D289,470	S	*	4/1987	Sottsass et al.	.....	D6/397
D289,471	S	*	4/1987	Sottsass et al.	.....	D6/397
D289,472	S	*	4/1987	Sottsass et al.	.....	D6/397
D291,613	S	*	8/1987	Forbes	.....	D32/66
D293,403	S	*	12/1987	Umanoff et al.	.....	D6/555
D302,772	S	*	8/1989	Friedman	.....	D6/555
D314,112	S	*	1/1991	Dainty	.....	D6/555
D330,295	S	*	10/1992	Zapf	.....	D6/421
D330,986	S	*	11/1992	Lau	.....	D6/555
D344,869	S	*	3/1994	Paradis et al.	.....	D6/555
D355,990	S	*	3/1995	Vincelli	.....	D6/429
D395,185	S	*	6/1998	Neufeld et al.	.....	D6/555
D489,208	S	*	5/2004	Noblet et al.	.....	D6/555
D544,275	S	*	6/2007	Tanus	.....	D6/555
D545,099	S	*	6/2007	Fernandez, Jr.	.....	D6/524

D549,025	S	*	8/2007	Van Alstyne	.....	D6/555
D592,435	S	*	5/2009	Jasman	.....	D6/555
D594,255	S	*	6/2009	Iwamuro	.....	D6/483
D604,080	S	*	11/2009	Stolp	.....	D6/555
D618,939	S	*	7/2010	Gibbs	.....	D6/555
D632,115	S	*	2/2011	Gibbs	.....	D6/555
D632,116	S	*	2/2011	Gibbs	.....	D6/555
D632,117	S	*	2/2011	Gibbs	.....	D6/555

**OTHER PUBLICATIONS**

Steelcase, Inc., "Media:scape Collaborative Settings," Mar. 2011, Grand Rapids, Michigan.

\* cited by examiner

*Primary Examiner* — Philip S Hyder

*Assistant Examiner* — Sydney Buffalow

(74) *Attorney, Agent, or Firm* — Patzik, Frank & Samotny Ltd.

(57) **CLAIM**

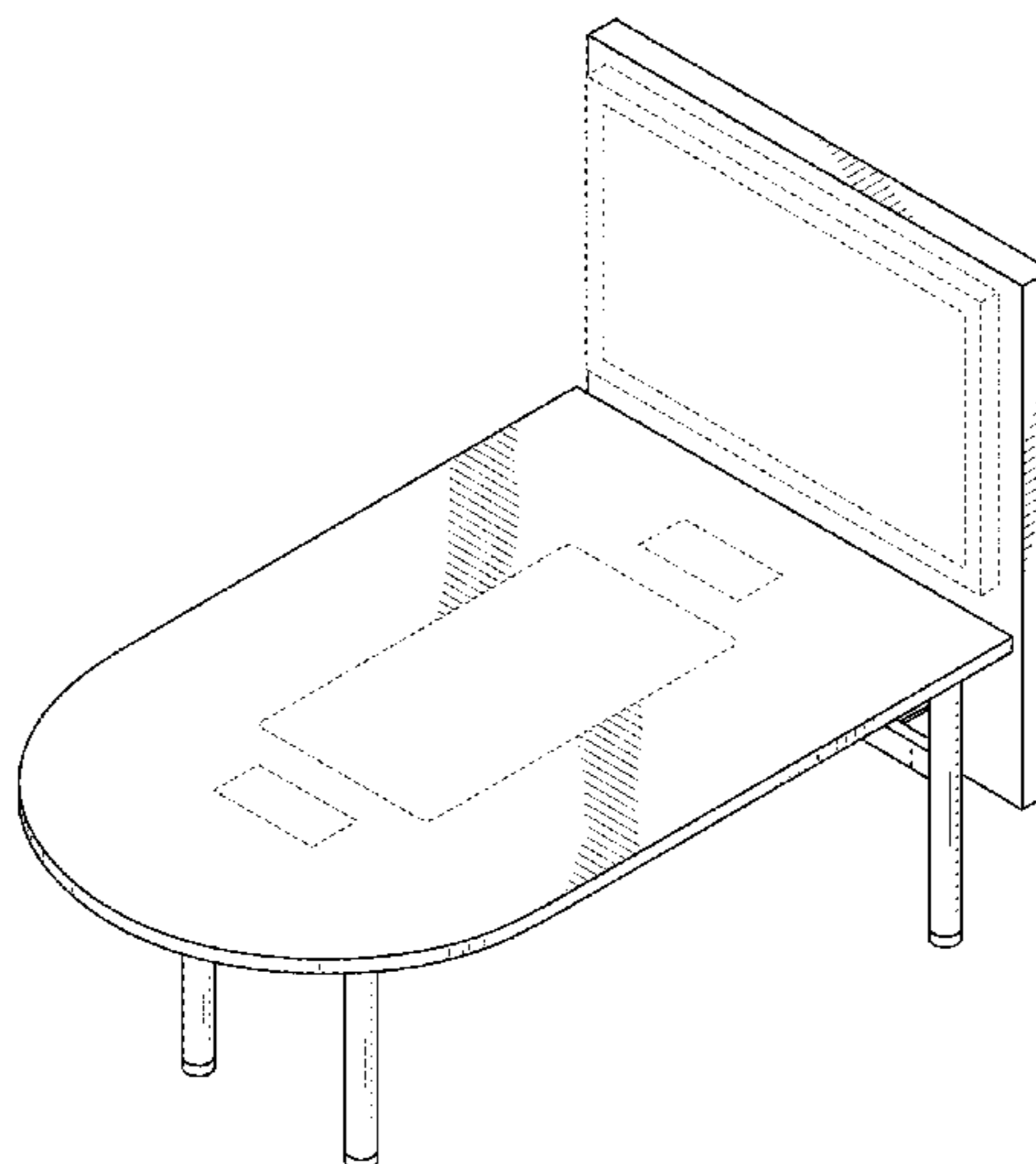
The ornamental design for a media desk, as shown and described.

**DESCRIPTION**

FIG. 1 is a front perspective view of the media desk of the present invention;  
FIG. 2 is a front elevation view of the media desk of the present invention,  
FIG. 3 is a rear elevation view of the media desk of the present invention,  
FIG. 4 is a right side elevation view of the media desk of the present invention,  
FIG. 5 is a left side elevation view of the media desk of the present invention,  
FIG. 6 is a top plan view of the media desk of the present invention; and,  
FIG. 7 is a bottom plan view of the media desk of the present invention.

Any features illustrated in broken lines do not comprise part of the presently claimed design.

**1 Claim, 7 Drawing Sheets**



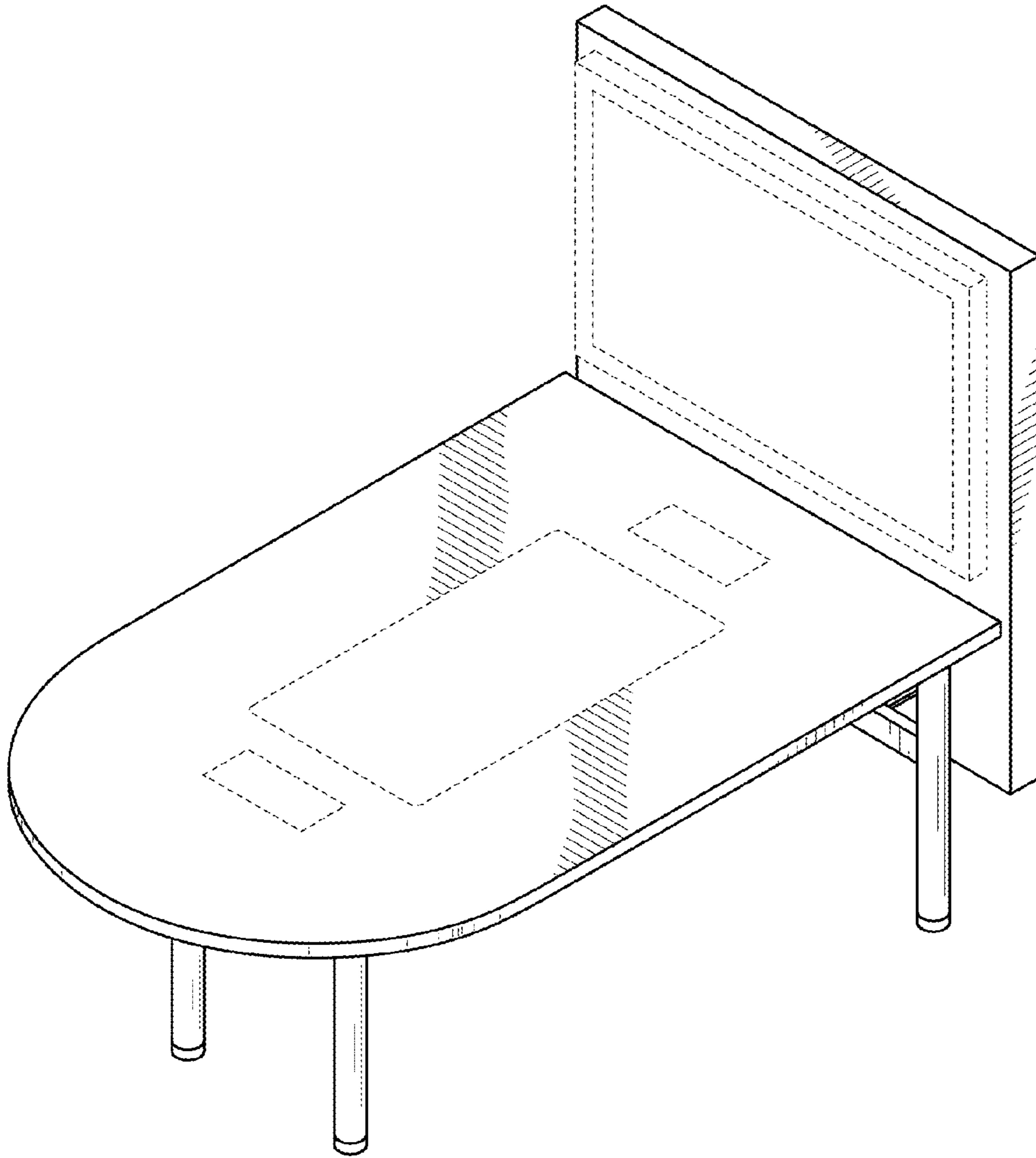
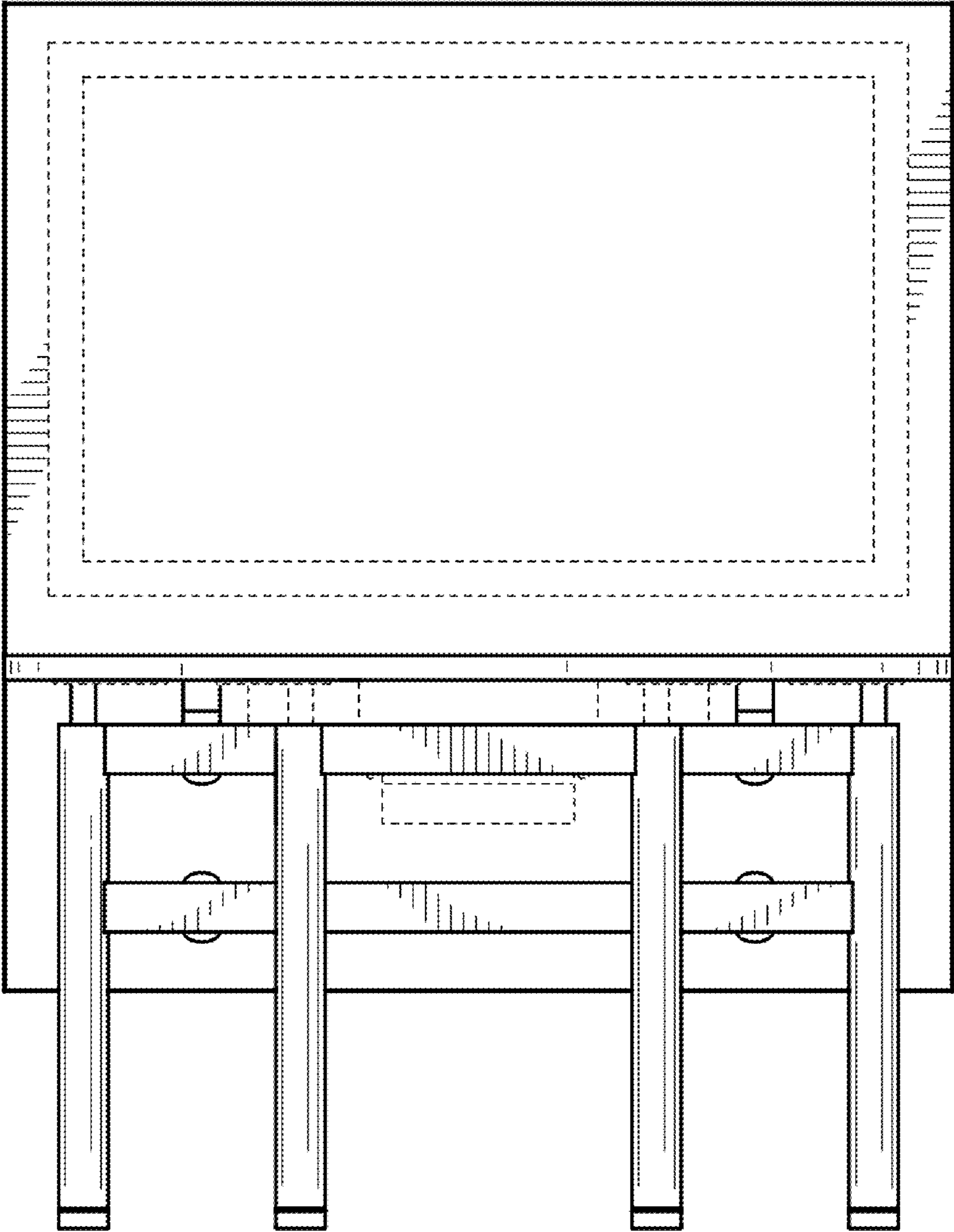
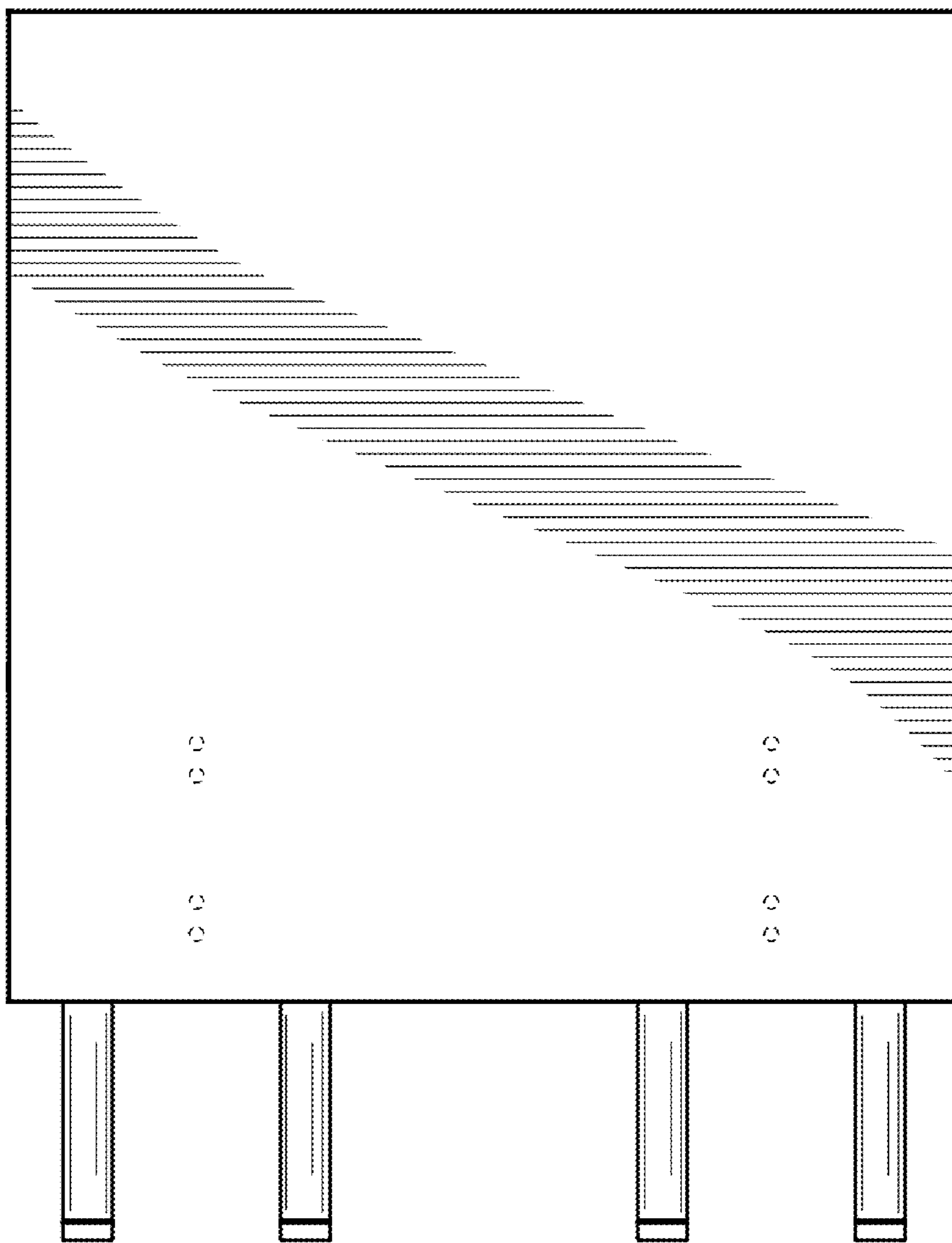


FIG. 1



**FIG. 2**



**FIG. 3**

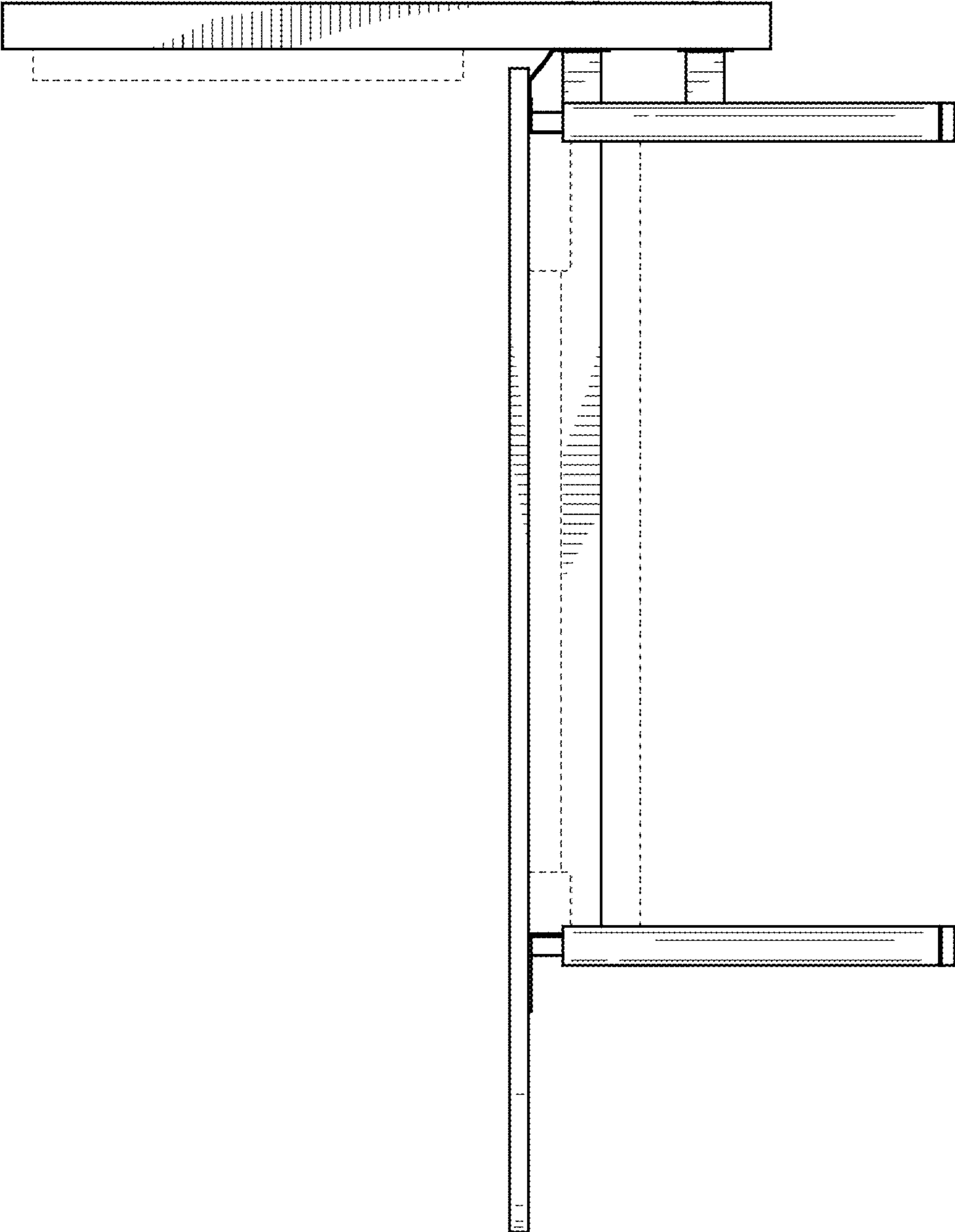


FIG. 4

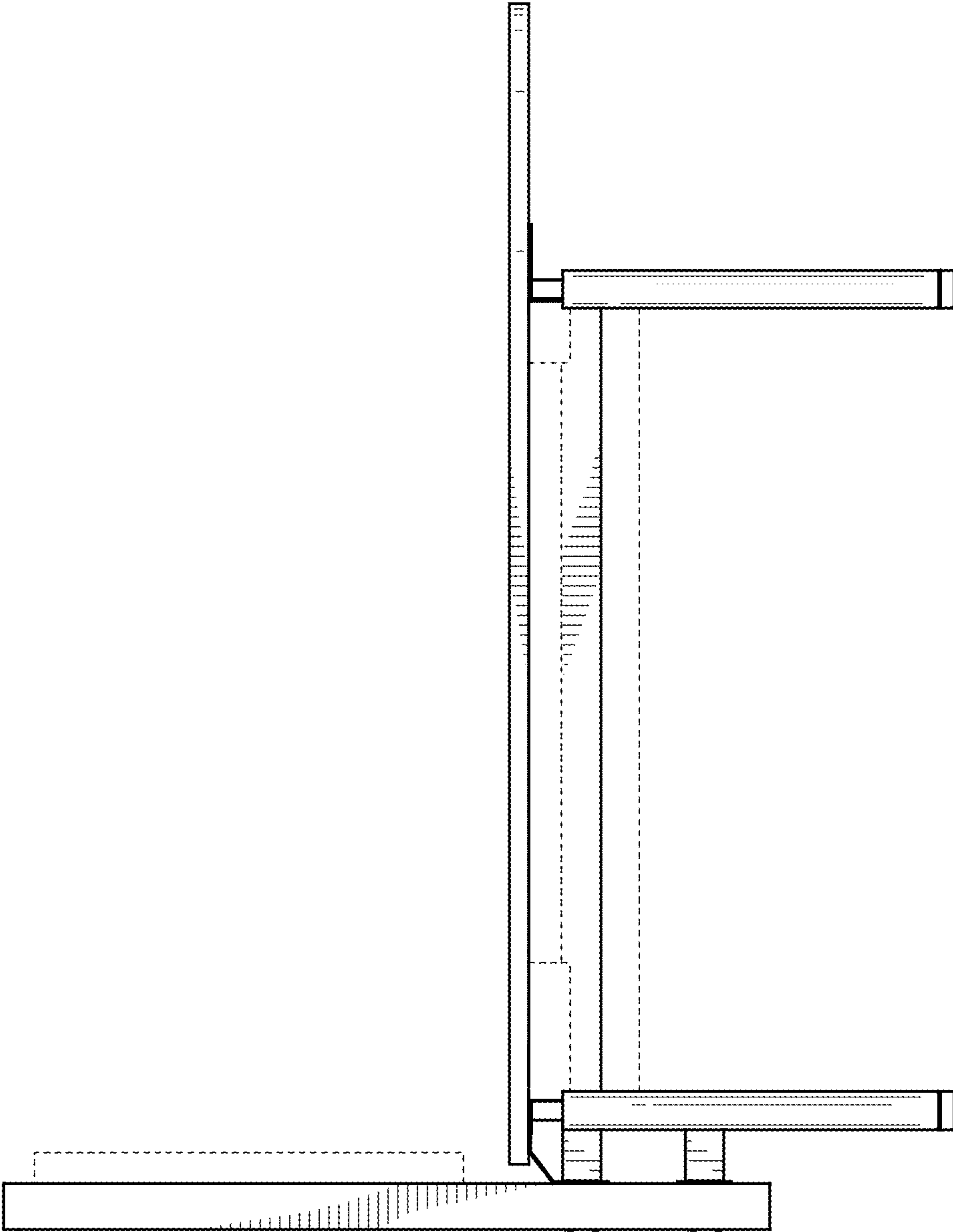
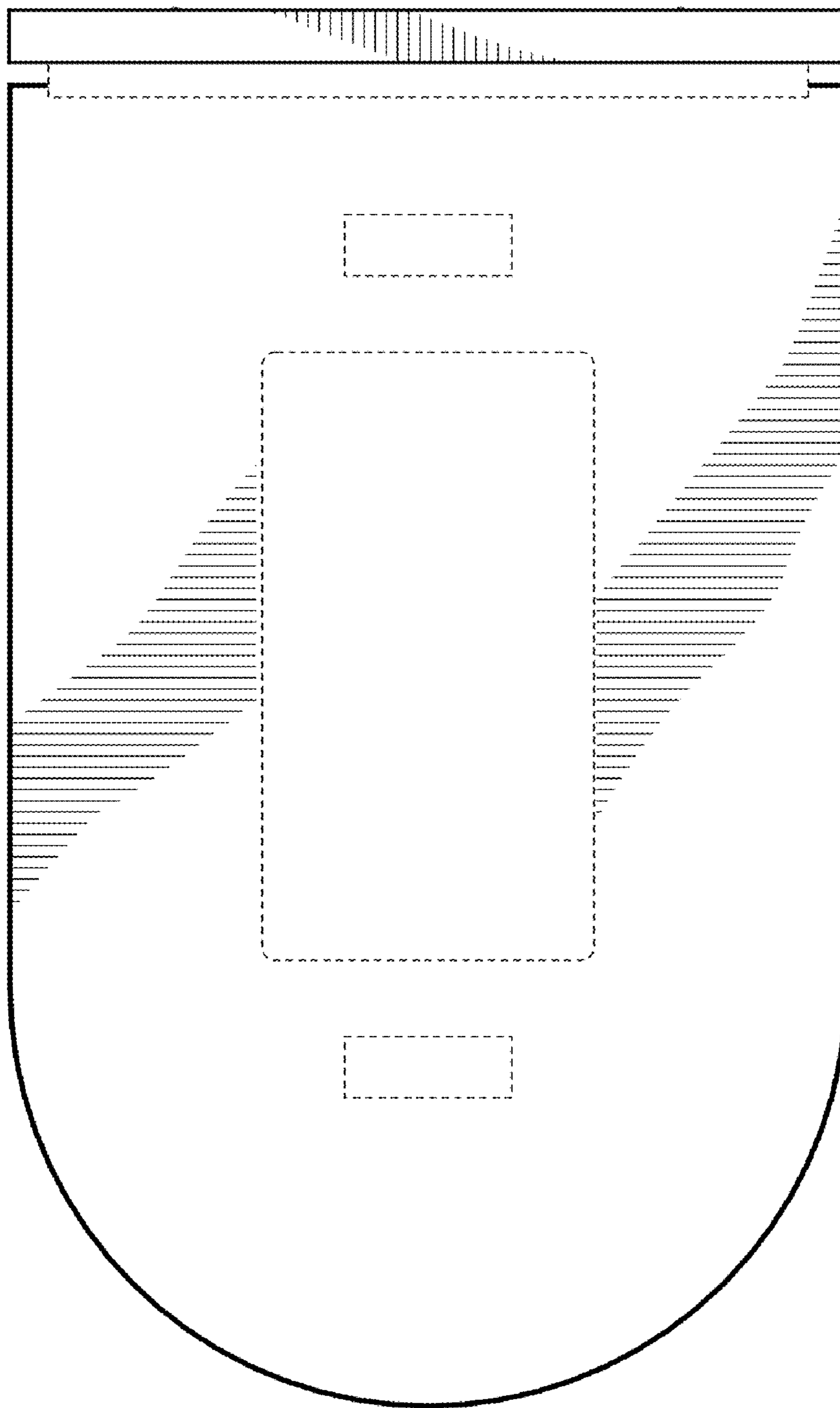


FIG. 5



**FIG. 6**

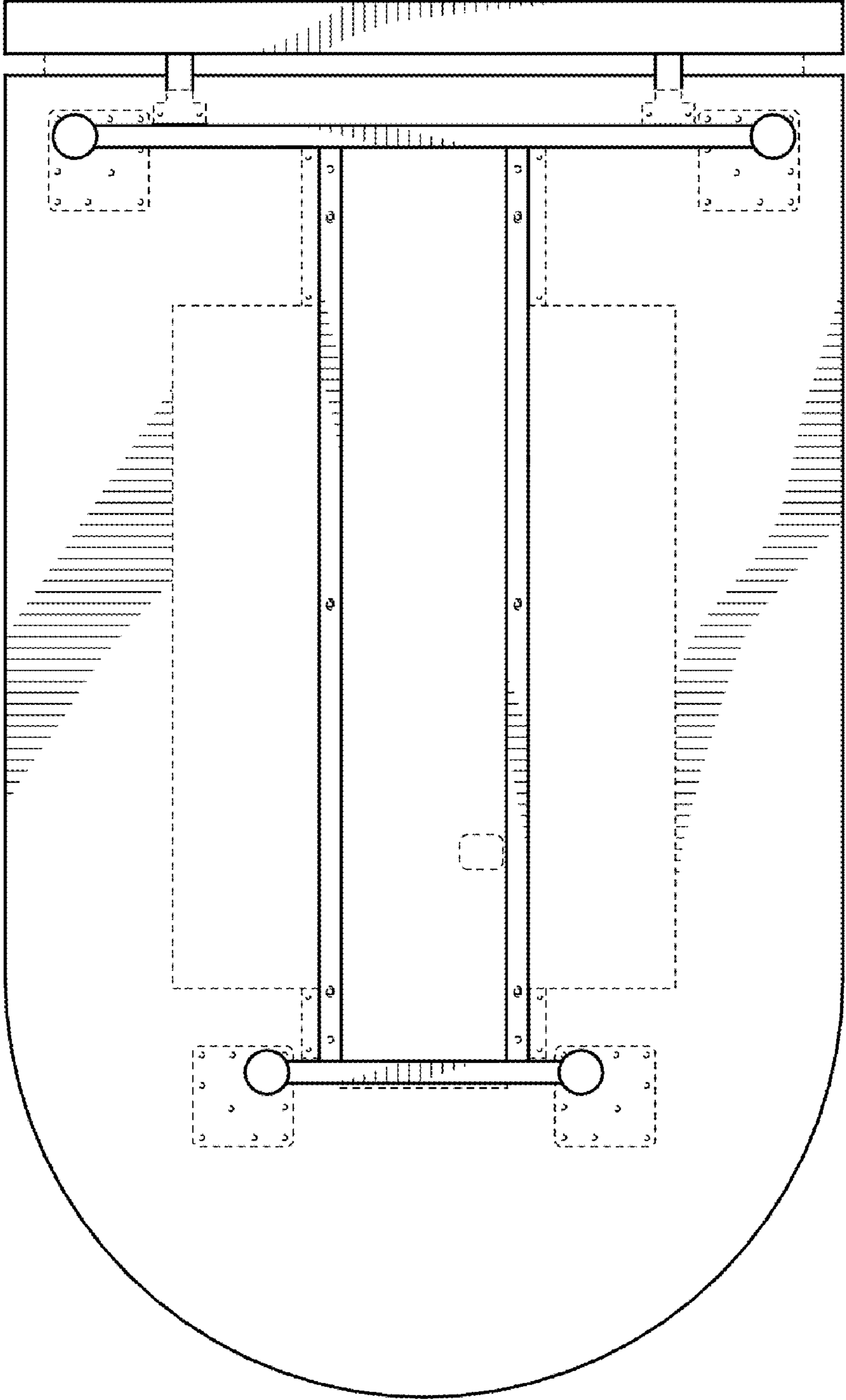


FIG. 7