



US00D677491S

(12) **United States Design Patent**
Joly

(10) **Patent No.:** **US D677,491 S**
(45) **Date of Patent:** **** Mar. 12, 2013**

(54) **SOFA**
(75) Inventor: **Sylvain Joly**, Marolles en Brie (FR)
(73) Assignee: **Natuzzi S.p.A.**, Santeramo in Colle (BA) (IT)
(**) Term: **14 Years**
(21) Appl. No.: **29/426,010**
(22) Filed: **Jun. 29, 2012**

D423,808 S * 5/2000 Natuzzi et al. D6/381
D439,431 S * 3/2001 Binder et al. D6/381
D441,978 S * 5/2001 Hutton D6/381
D467,092 S * 12/2002 Vu D6/381
D476,163 S * 6/2003 Ricci D6/381
D477,472 S * 7/2003 Bauchet D6/381
D479,055 S * 9/2003 Nicoletti D6/381
D479,409 S * 9/2003 Nicoletti D6/381
D492,498 S * 7/2004 Natuzzi D6/381
D526,808 S * 8/2006 Natri D6/381
D533,729 S * 12/2006 Natri D6/381
D552,871 S * 10/2007 Natuzzi D6/381
D554,387 S * 11/2007 Nicoletti D6/381
D565,858 S * 4/2008 Natuzzi D6/381

(30) **Foreign Application Priority Data**
Dec. 30, 2011 (EM) 001970120-0003
(51) **LOC (9) Cl.** **06-01**
(52) **U.S. Cl.** **D6/381**
(58) **Field of Classification Search** D6/334-338,
D6/349, 355, 361, 368-370, 376, 379-381,
D6/492, 500-502; 297/16.1, 42, 94, 135,
297/175, 232, 233, 350, 351, 445.1, 448.1,
297/448.2, 451.9; 5/12.1, 12.2
See application file for complete search history.

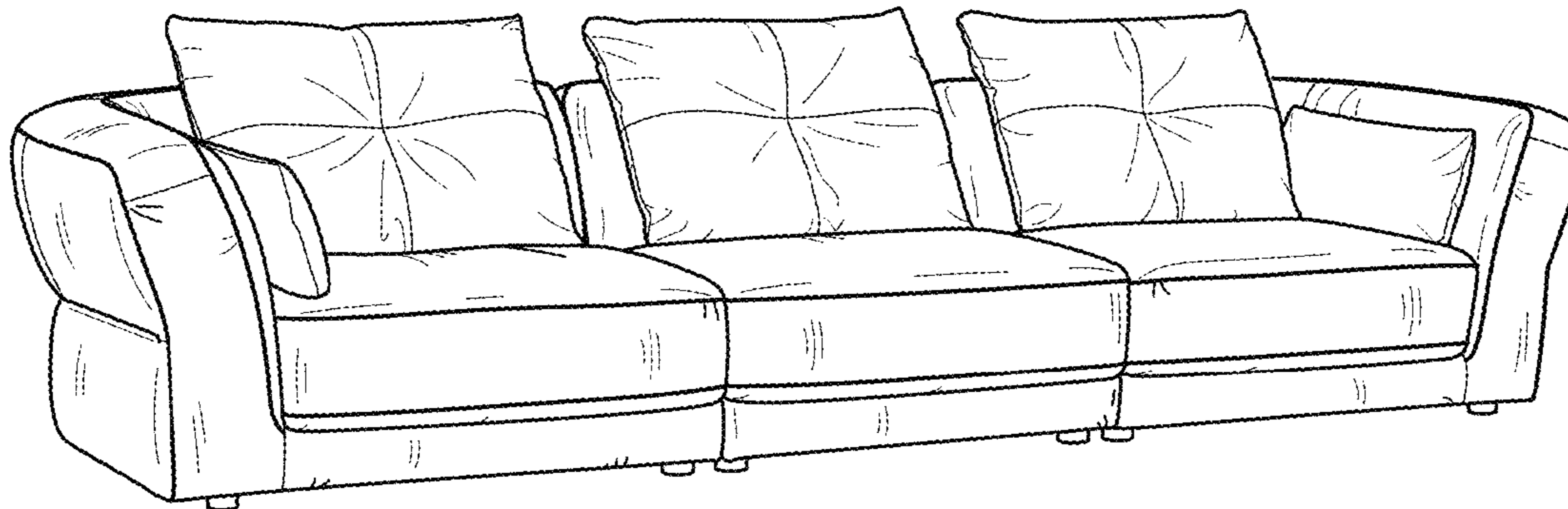
* cited by examiner
Primary Examiner — Sandra Snapp
(74) *Attorney, Agent, or Firm* — Reising Ethington P.C.

(56) **References Cited**
U.S. PATENT DOCUMENTS
D382,129 S * 8/1997 Lewis D6/381
D388,630 S * 1/1998 Lowman et al. D6/381

(57) **CLAIM**
The ornamental design for a sofa, as shown and described.

DESCRIPTION
FIG. 1 shows a perspective view of the sofa;
FIG. 2 shows a front view of the sofa;
FIG. 3 shows a left side view of the sofa;
FIG. 4 shows a right side view of the sofa;
FIG. 5 shows a top view of the sofa;
FIG. 6 shows a rear view of the sofa; and,
FIG. 7 shows a bottom view of the sofa.

1 Claim, 2 Drawing Sheets



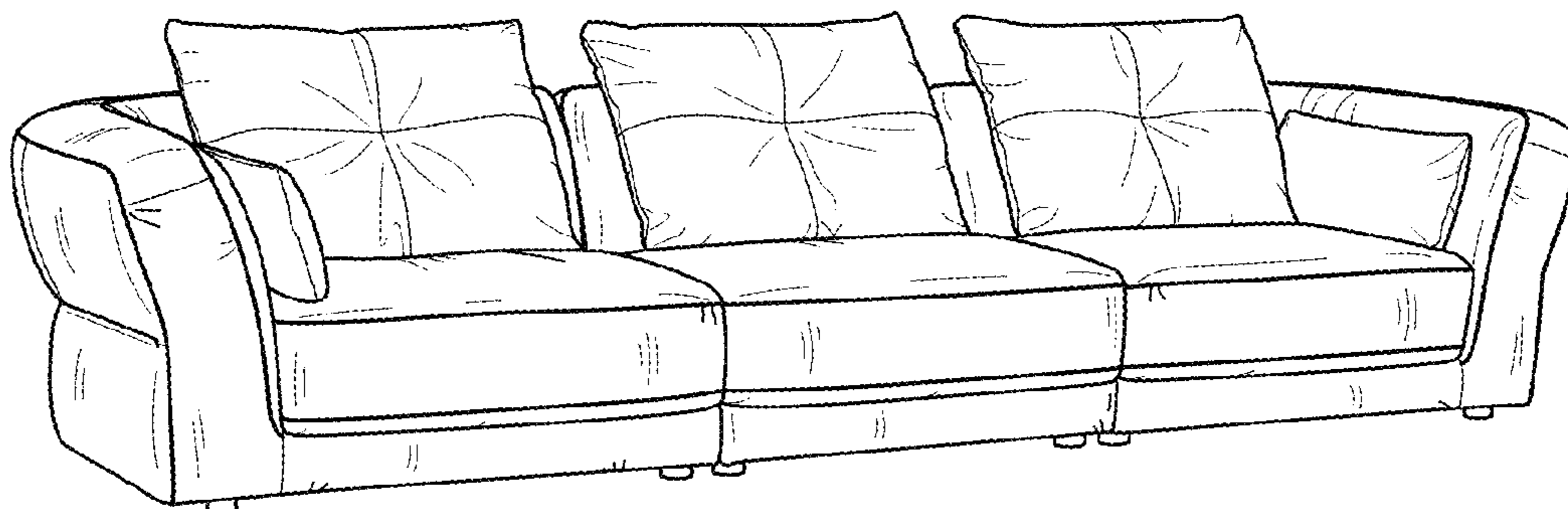


FIG. 1

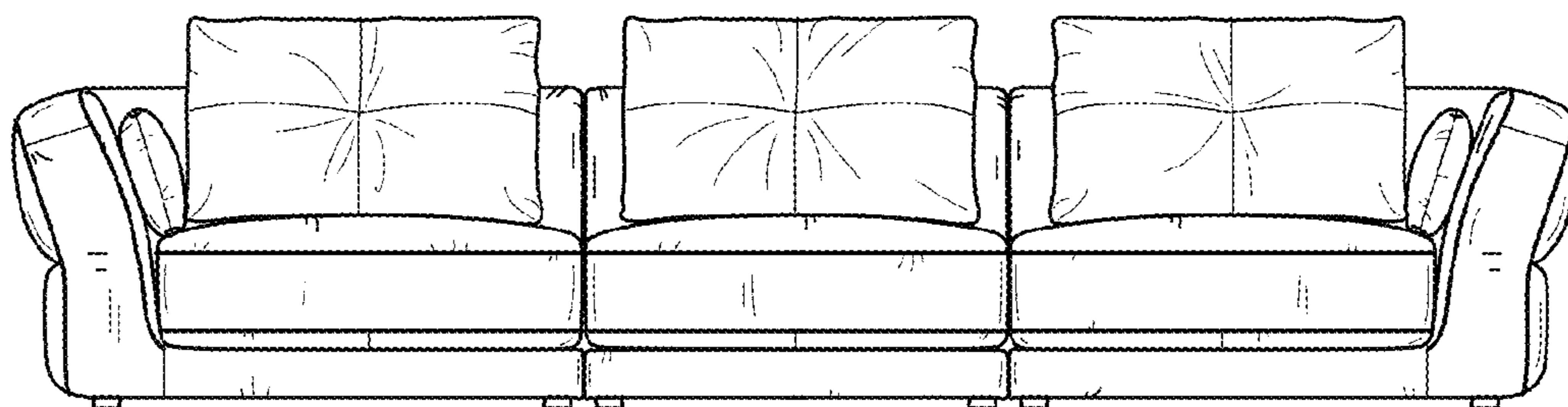


FIG. 2

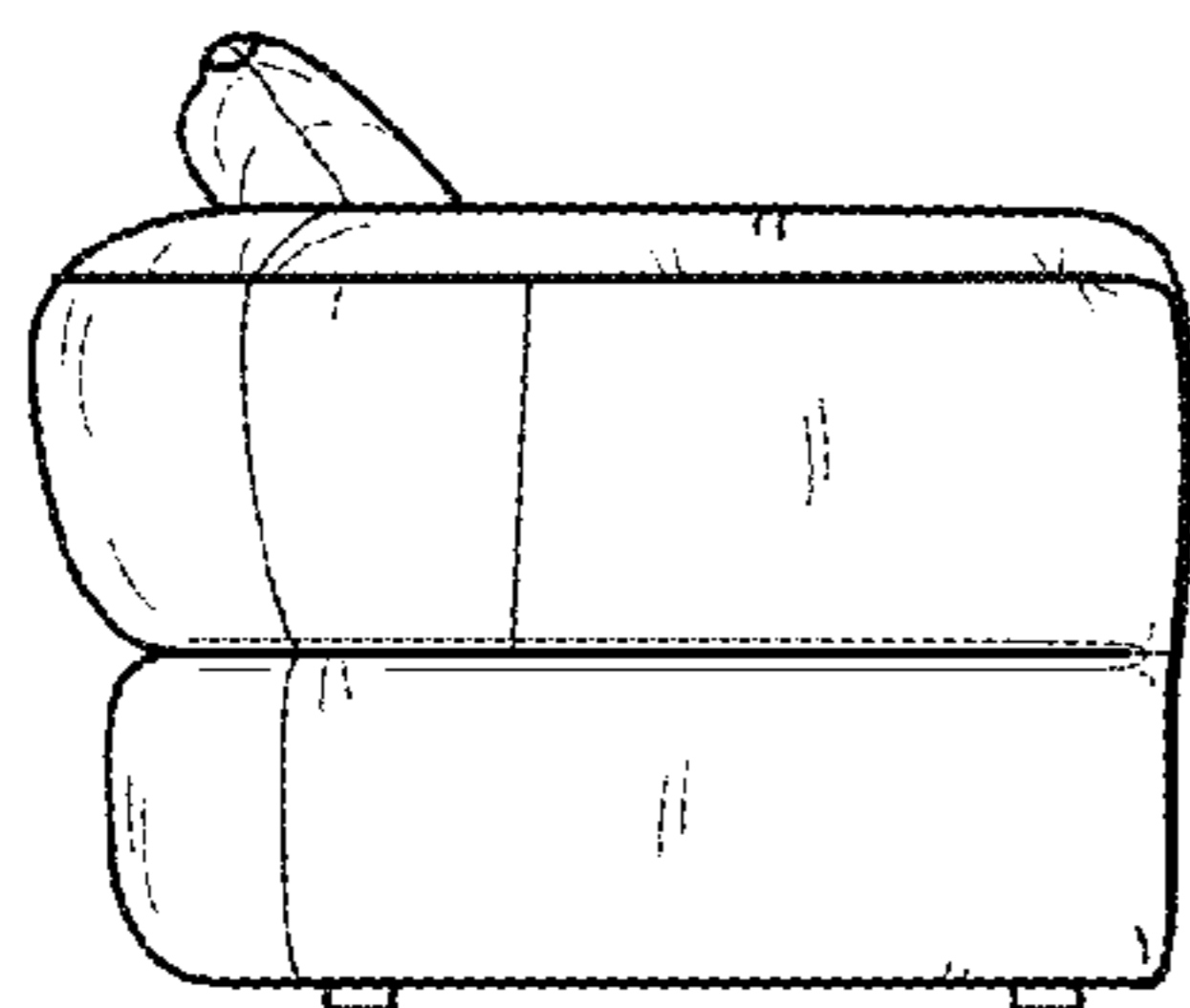


FIG. 3

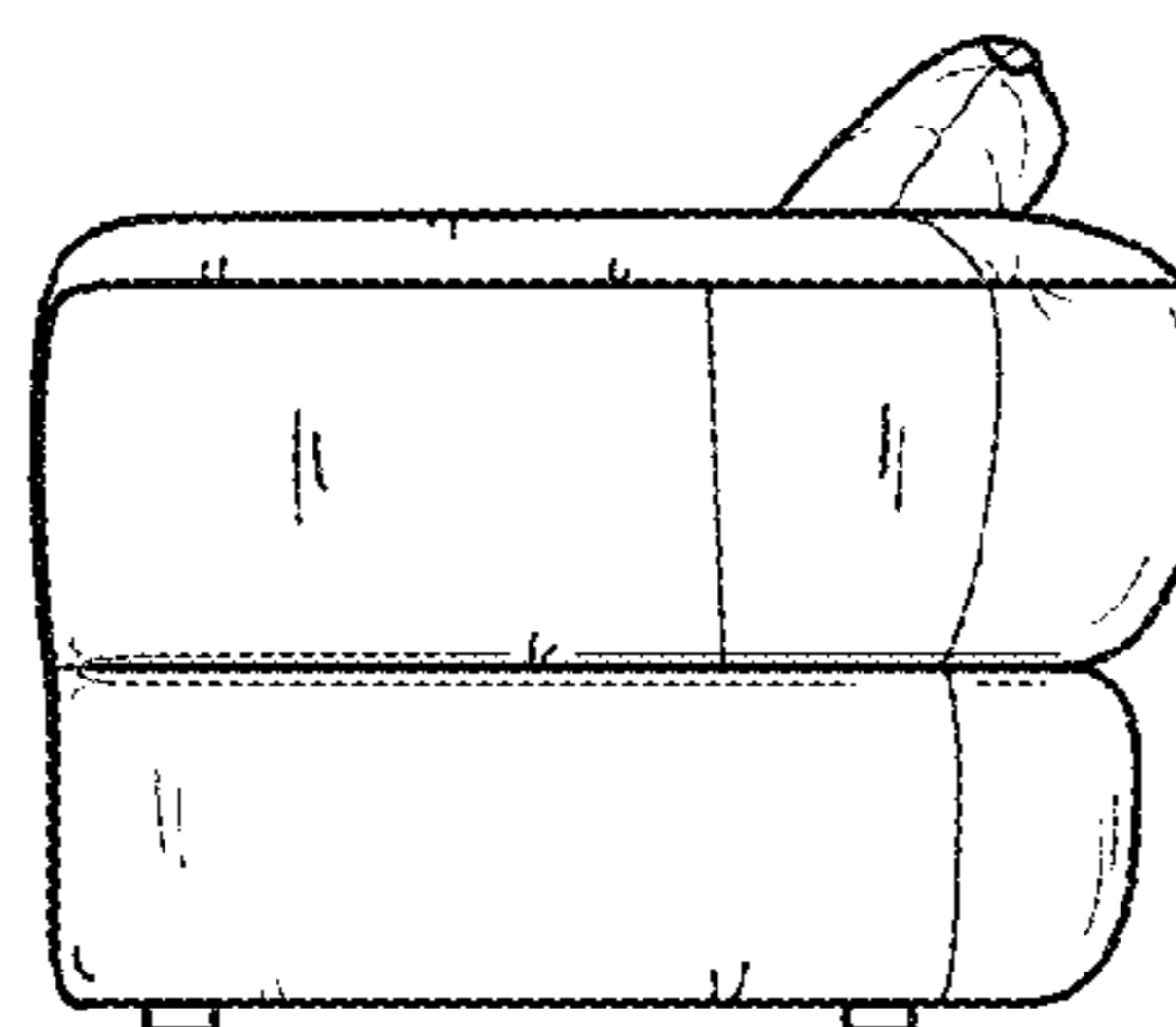


FIG. 4

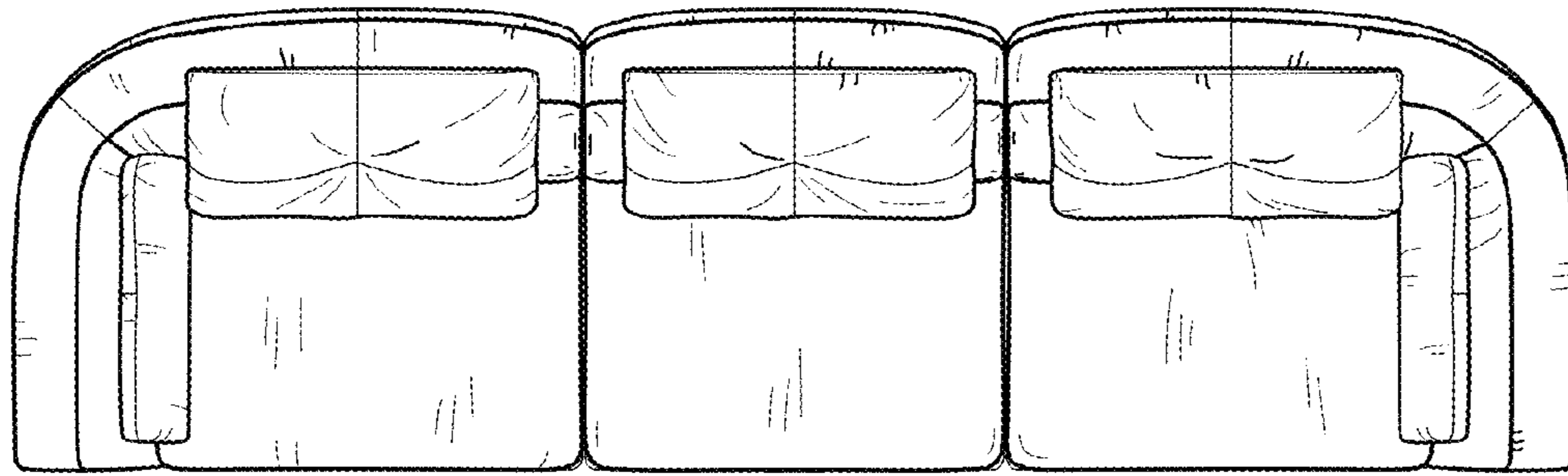


FIG. 5

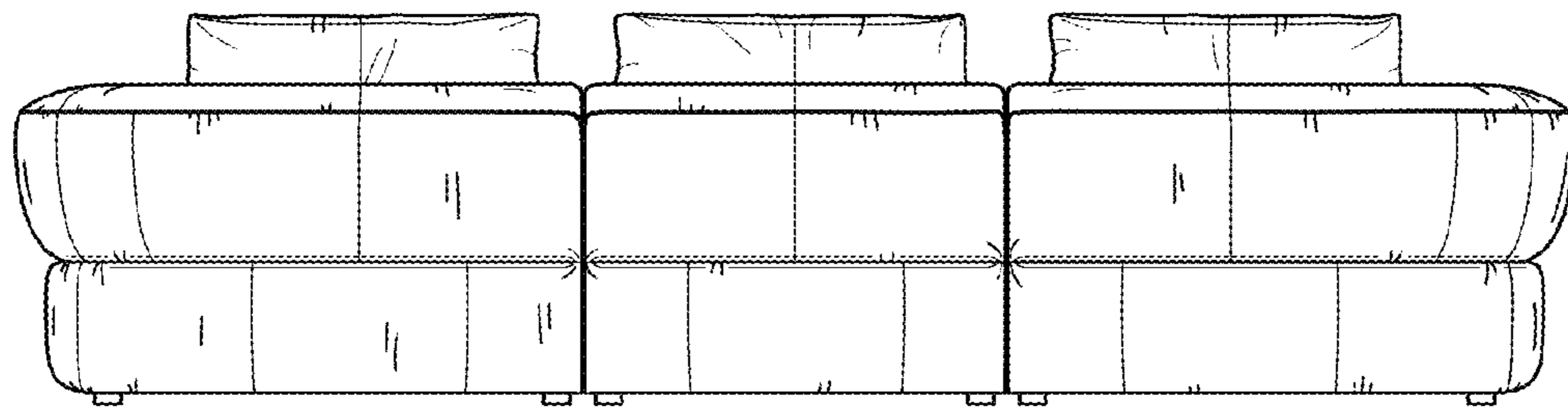


FIG. 6

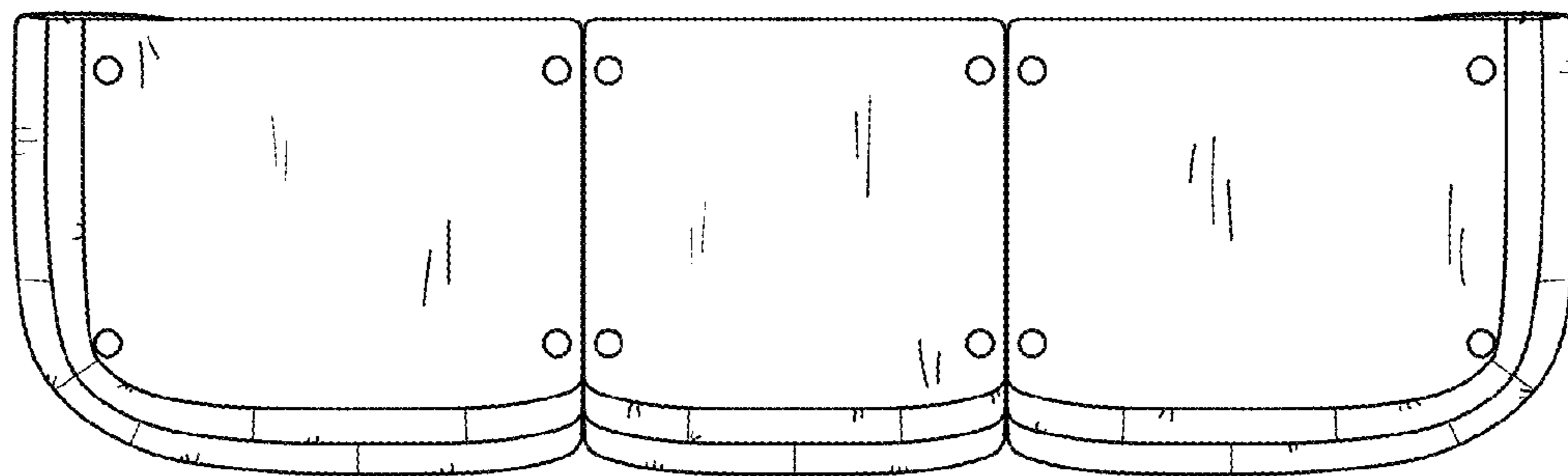


FIG. 7