



US00D677483S

(12) **United States Design Patent**
Adir

(10) **Patent No.:** **US D677,483 S**

(45) **Date of Patent:** **** *Mar. 12, 2013**

(54) **SOFA**

(75) Inventor: **Yaniv Adir**, Herzeliya (IL)

(73) Assignee: **Keter Plastic Ltd.**, Herzeliya (IL)

(*) Notice: This patent is subject to a terminal disclaimer.

(**) Term: **14 Years**

(21) Appl. No.: **29/425,523**

(22) Filed: **Jun. 24, 2012**

Related U.S. Application Data

(62) Division of application No. 29/403,626, filed on Oct. 7, 2011.

(30) **Foreign Application Priority Data**

Apr. 8, 2011 (IN) 236023
Apr. 8, 2011 (IN) 236025

(51) **LOC (9) Cl.** **06-01**

(52) **U.S. Cl.** **D6/369**

(58) **Field of Classification Search** D6/334-336,
D6/369, 370, 371-373, 374, 375, 376, 379,
D6/380, 381, 500-502; 297/411.42, 411.45,
297/448.1, 448.2, 451.9, 452.64

See application file for complete search history.

(56) **References Cited**

U.S. PATENT DOCUMENTS

D243,571 S 3/1977 Wisner
D263,655 S * 4/1982 Claman D6/369

D268,465 S * 4/1983 Bergquist et al. D6/379
D328,982 S * 9/1992 Wisner D6/369
D329,545 S * 9/1992 Fong D6/369
D335,779 S * 5/1993 Newhouse D6/381
D360,993 S * 8/1995 White D6/369
D456,629 S 5/2002 Rosebrock et al.
D495,514 S * 9/2004 Ricci D6/381
D499,896 S 12/2004 Gruber
D541,543 S 5/2007 Doughty
D542,550 S 5/2007 Ovesen
D547,079 S 7/2007 Wang
D550,470 S 9/2007 Wang
D577,214 S 9/2008 Thomkins
D599,574 S 9/2009 Guido
D650,605 S 12/2011 Haimoff et al.

* cited by examiner

Primary Examiner — Mimoso De

(74) *Attorney, Agent, or Firm* — KMF Patent Services, PLLC; Kenneth M. Fagin, Esq.

(57) **CLAIM**

The ornamental design for a sofa, as shown and described.

DESCRIPTION

FIG. 1 is perspective view of the sofa, illustrating my new design;

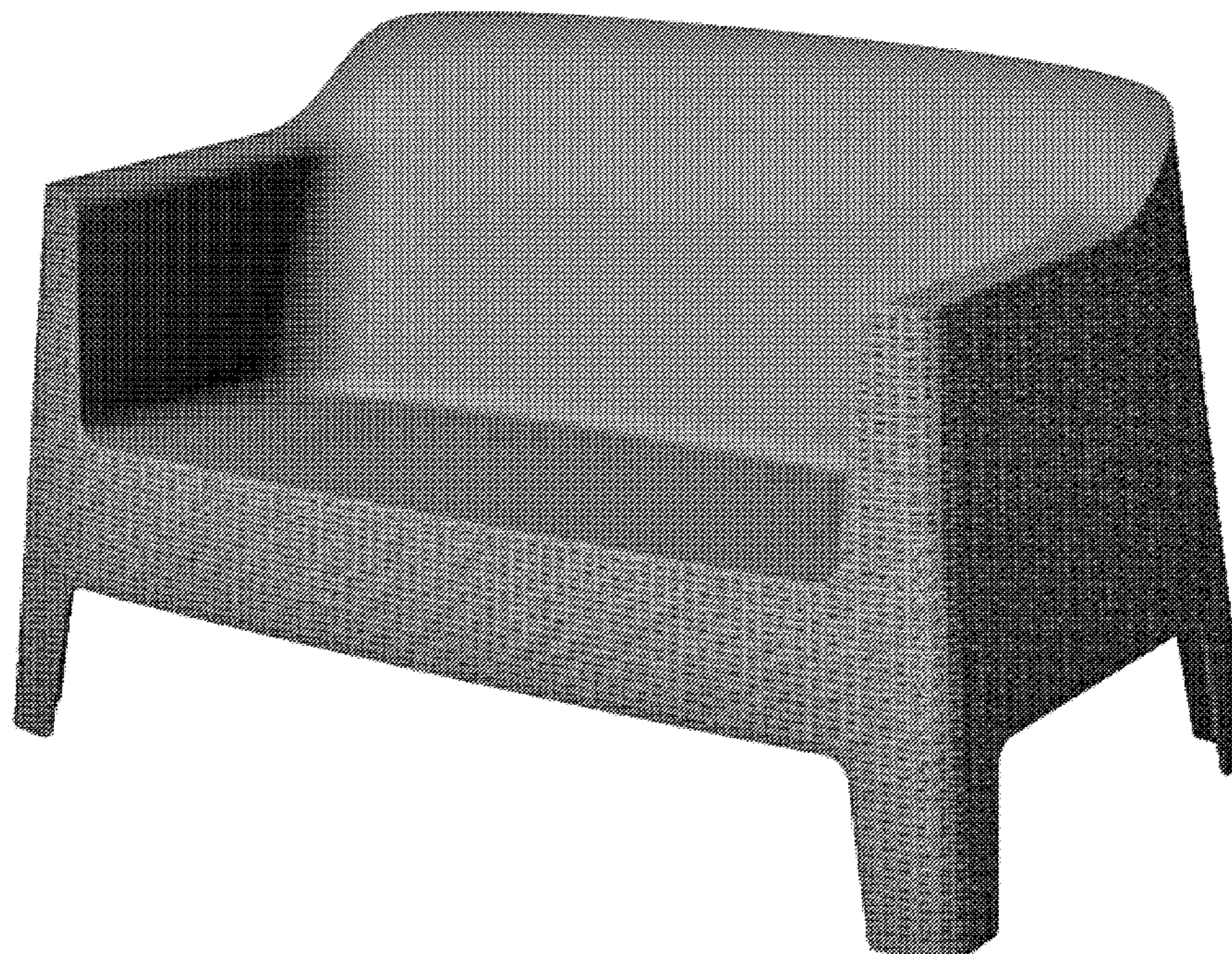
FIG. 2 is front elevational view of the sofa;

FIG. 3 is a side elevational view of one side of the sofa, with the side elevational view of the other side of the sofa being a mirror image thereof; and,

FIG. 4 is a top plan view of the sofa.

It is to be understood that the rattan patterning has texture and dimensionality.

1 Claim, 4 Drawing Sheets



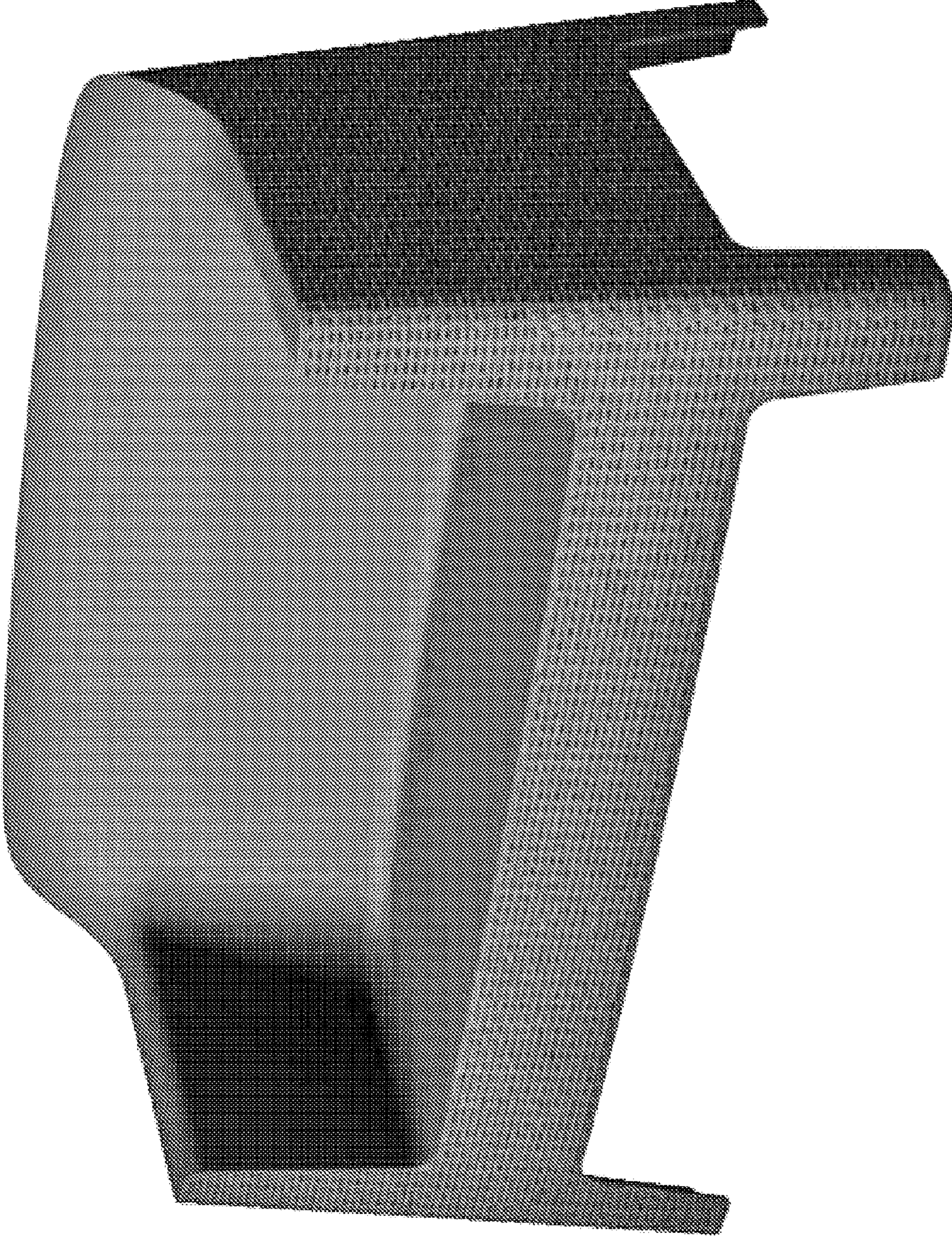


FIGURE 1

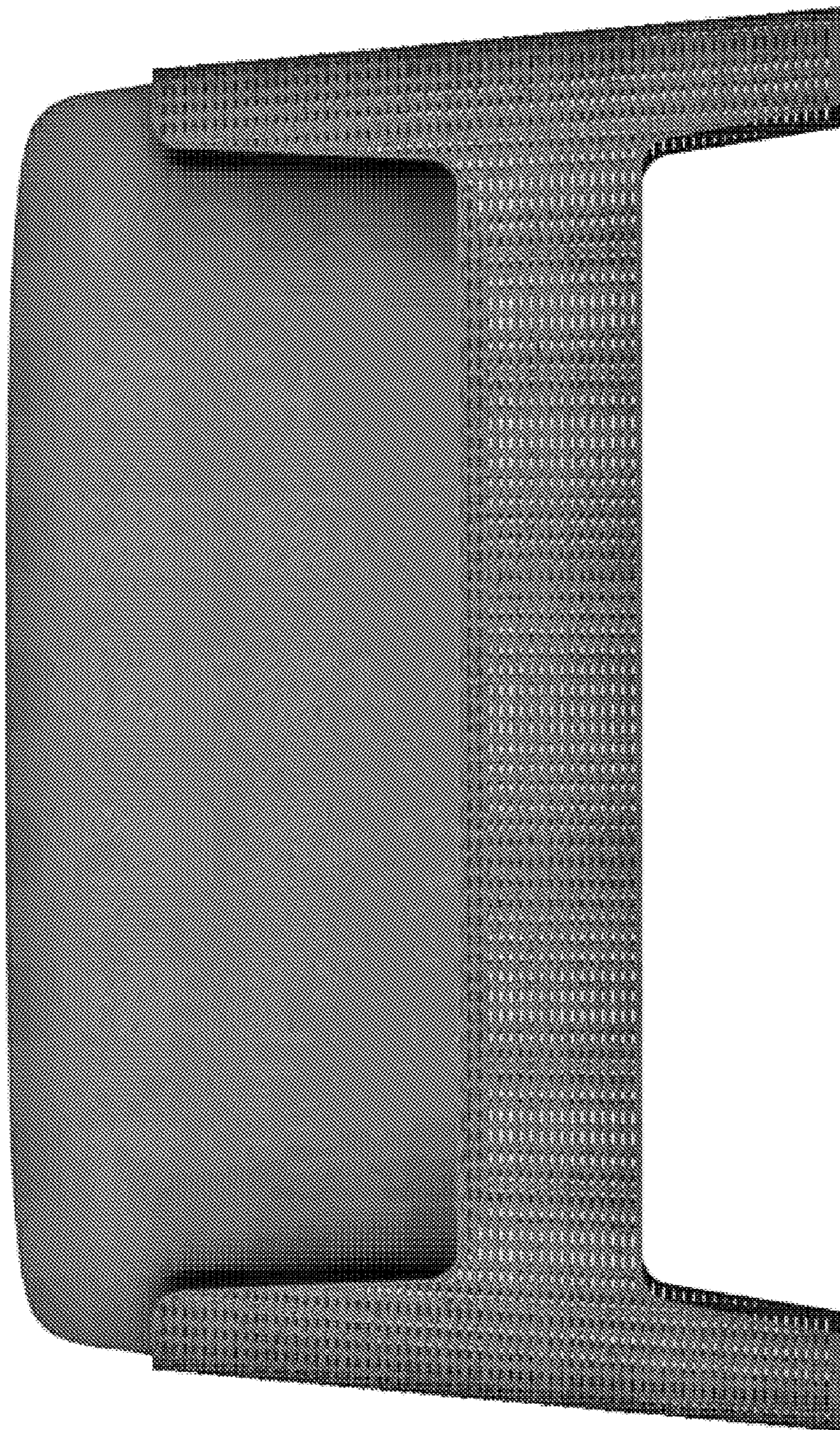


FIGURE 2

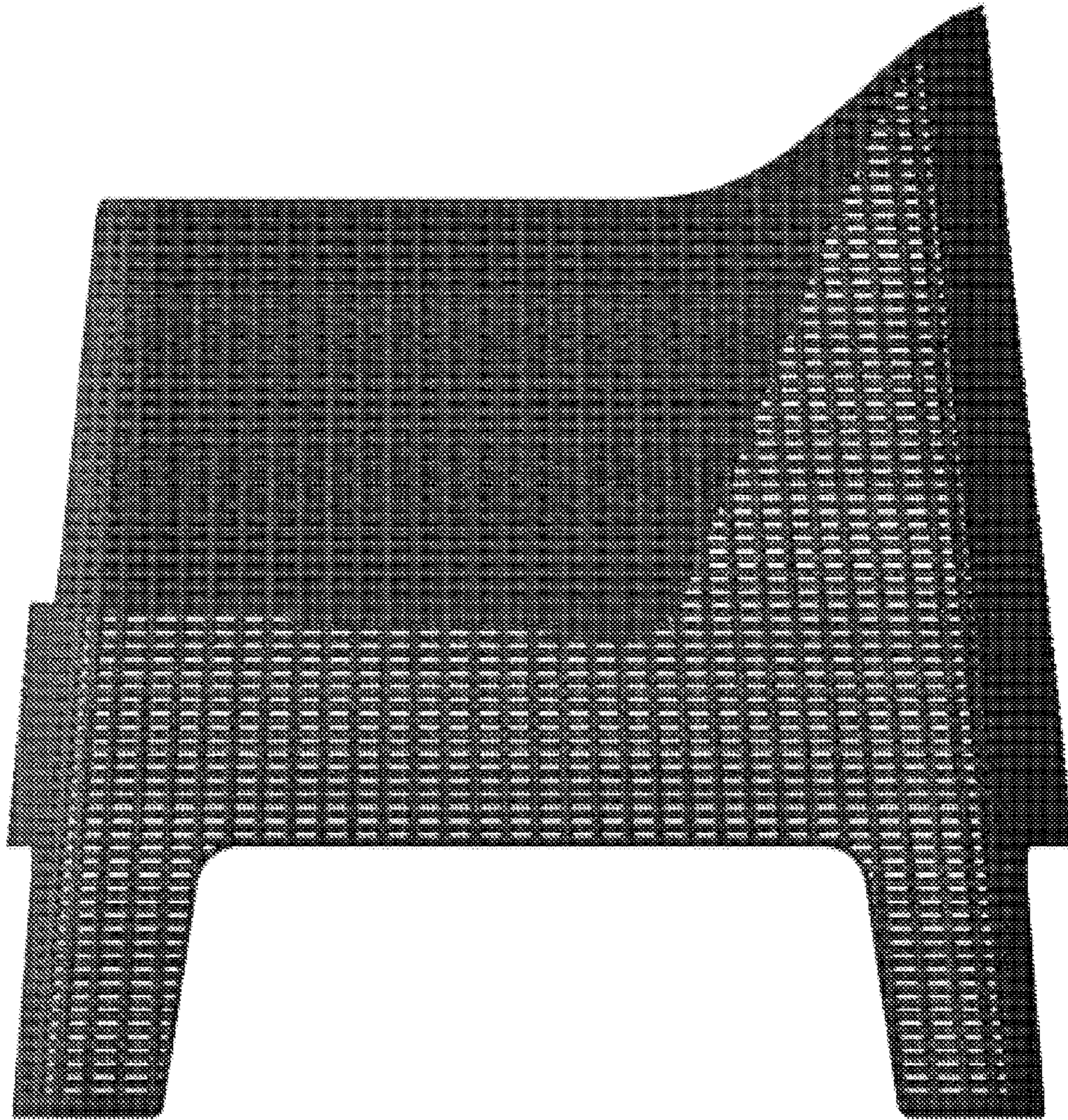


FIGURE 3

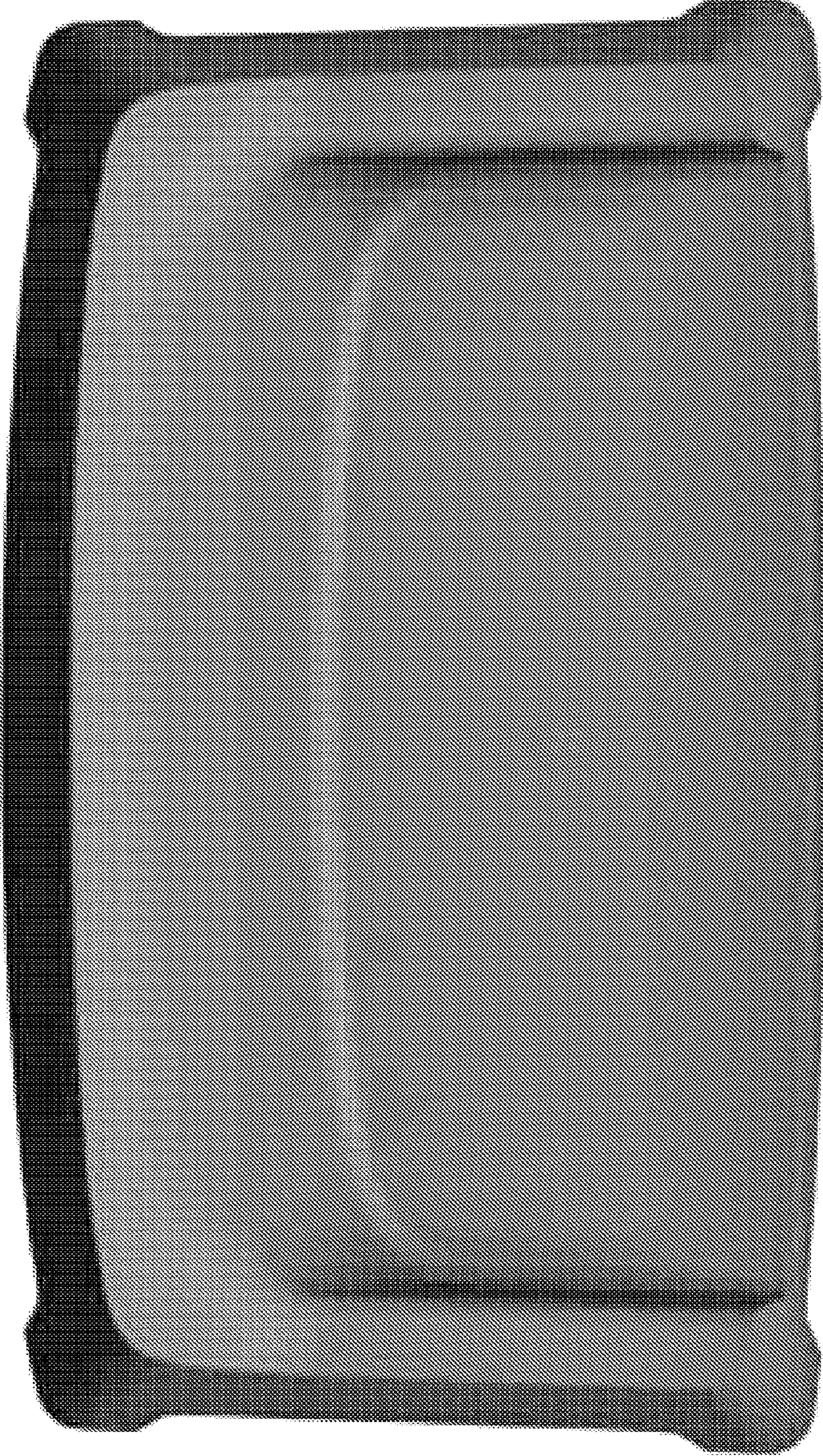


FIGURE 4