



US00D677482S

(12) **United States Design Patent**
Spann

(10) **Patent No.:** **US D677,482 S**
(45) **Date of Patent:** **** Mar. 12, 2013**

(54) **FISHING CHAIR**

(76) Inventor: **Charles S. Spann**, Riveria Beach, FL
(US)

(**) Term: **14 Years**

(21) Appl. No.: **29/419,810**

(22) Filed: **May 2, 2012**

(51) **LOC (9) Cl.** **06-01**

(52) **U.S. Cl.** **D6/368**

(58) **Field of Classification Search** D6/334-336,
D6/361, 368, 370, 374, 375, 379, 500-502;
297/16.1, 16.2, 45, 46, 53, 55, 56, 57, 188.14,
297/452.12, 452.13, 452.19, 452.2, 452.56;
248/164

See application file for complete search history.

(56) **References Cited**

U.S. PATENT DOCUMENTS

| | | | | | |
|-----------|------|---------|-----------------|-------|-----------|
| D264,888 | S | 6/1982 | Watts | | D34/26 |
| 4,350,366 | A | 9/1982 | Helms | | 280/655 |
| 4,355,818 | A | 10/1982 | Watts | | 280/654 |
| 5,333,885 | A | 8/1994 | Pullman | | 280/47.19 |
| D357,783 | S | 4/1995 | Jones | | D34/26 |
| D372,350 | S | 7/1996 | Olson | | D43/26 |
| D378,456 | S | 3/1997 | Speicher | | D34/25 |
| D410,784 | S | 6/1999 | Sandford et al. | | D34/14 |
| 6,082,757 | A | 7/2000 | Lin | | 280/654 |
| D430,976 | S * | 9/2000 | Tow | | D6/374 |
| D432,325 | S * | 10/2000 | Zheng et al. | | D6/368 |
| 6,131,925 | A | 10/2000 | Weldon | | 280/30 |
| 6,382,715 | B1 * | 5/2002 | Tang | | 297/16.2 |
| 6,419,311 | B1 * | 7/2002 | Tang | | 297/45 |
| 6,467,779 | B1 | 10/2002 | Mills | | 280/47.26 |
| D473,990 | S | 4/2003 | Hittle | | D34/18 |
| D481,511 | S | 10/2003 | Lee | | D34/24 |
| 6,644,731 | B2 * | 11/2003 | Tang | | 297/16.2 |
| 6,682,135 | B2 * | 1/2004 | Zheng | | 297/16.2 |
| D486,310 | S * | 2/2004 | Goldy | | D6/335 |
| 6,755,462 | B2 * | 6/2004 | Zheng | | 297/45 |
| 6,817,671 | B1 * | 11/2004 | Zheng | | 297/45 |
| 6,880,851 | B1 | 4/2005 | Summers | | 280/652 |
| 6,899,383 | B2 * | 5/2005 | Hwang | | 297/16.2 |
| 6,962,354 | B1 | 11/2005 | Miller | | 280/47.26 |

| | | | | | |
|--------------|------|---------|----------------|-------|-----------|
| D558,948 | S | 1/2008 | Miller et al. | | D34/24 |
| 7,471,437 | B2 | 12/2008 | Lenhard et al. | | 359/265 |
| D612,624 | S * | 3/2010 | Lovley et al. | | D6/368 |
| 7,717,503 | B1 * | 5/2010 | Watson | | 297/45 |
| 7,758,111 | B2 * | 7/2010 | Chen | | 297/16.1 |
| D638,190 | S | 5/2011 | Spann | | D34/14 |
| 2006/0232033 | A1 | 10/2006 | Fint | | 280/79.2 |
| 2009/0243241 | A1 | 10/2009 | Arakawa et al. | | 280/47.19 |

* cited by examiner

Primary Examiner — Mimoso De

(74) *Attorney, Agent, or Firm* — Robert C. Kain, Jr.

(57) **CLAIM**

I claim the ornamental design for fishing chair, as shown and described.

DESCRIPTION

FIG. 1 is left side elevational view of the fishing chair (the right side view being a mirror image of the left side view) shown without an anchor extension for ease of illustration.

FIG. 2 is a front elevational view of the fishing chair shown in FIG. 1.

FIG. 3 is a rear elevational view of the fishing chair shown in FIG. 1.

FIG. 4 is a top view of the fishing chair shown in FIG. 1.

FIG. 5 is a bottom view of the fishing chair shown in FIG. 1.

FIG. 6 is a perspective view of the fishing chair shown in FIG. 1.

FIG. 7 is left side elevational view of the fishing chair with an anchor extension (the right side view being a mirror image of the left side view).

FIG. 8 is a front elevational view of the fishing chair shown in FIG. 7.

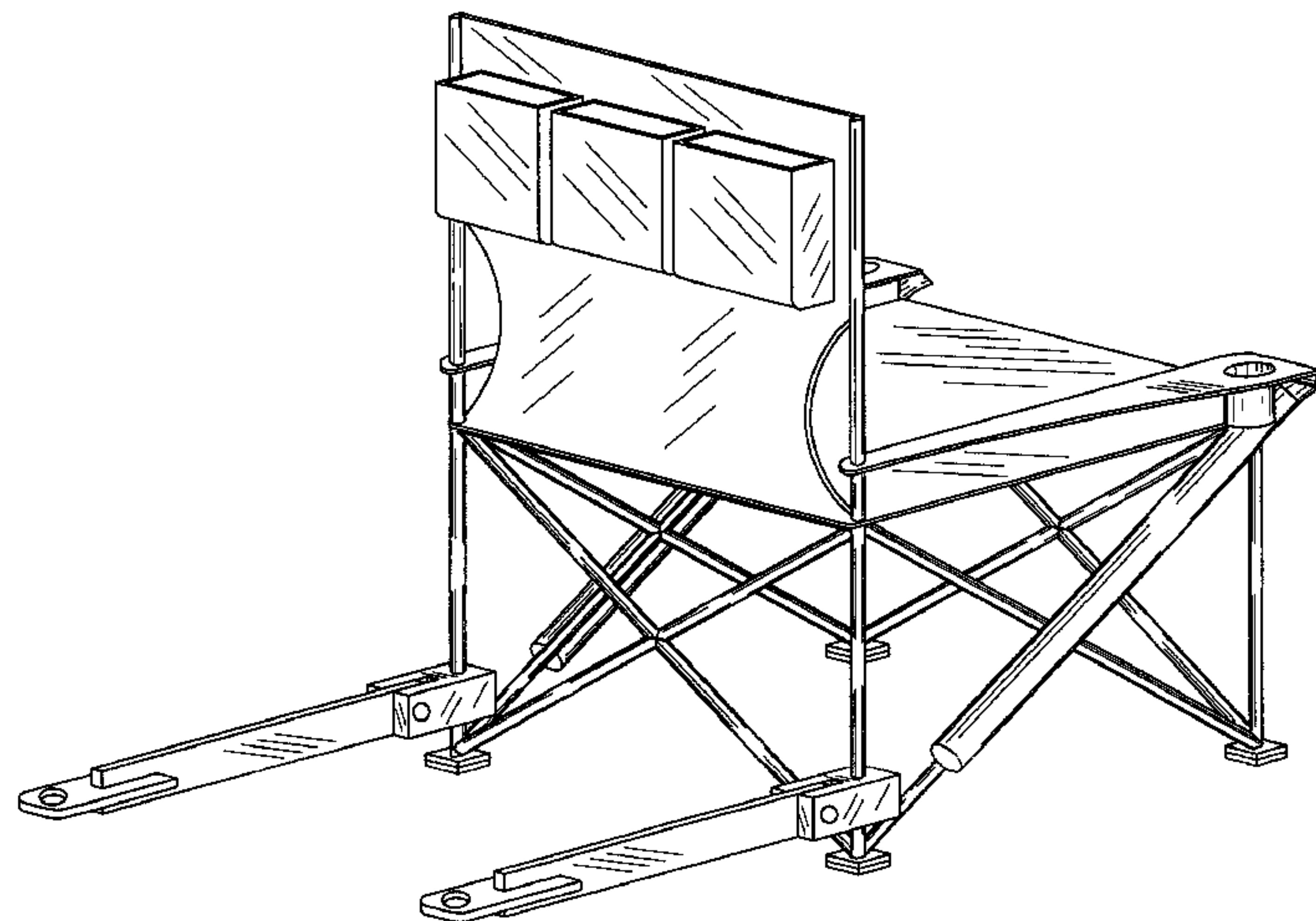
FIG. 9 is a rear elevational view of the fishing chair shown in FIG. 7.

FIG. 10 is a top view of the fishing chair shown in FIG. 7.

FIG. 11 is a bottom view of the fishing chair shown in FIG. 7; and,

FIG. 12 is a perspective view of the fishing chair shown in FIG. 7.

1 Claim, 11 Drawing Sheets



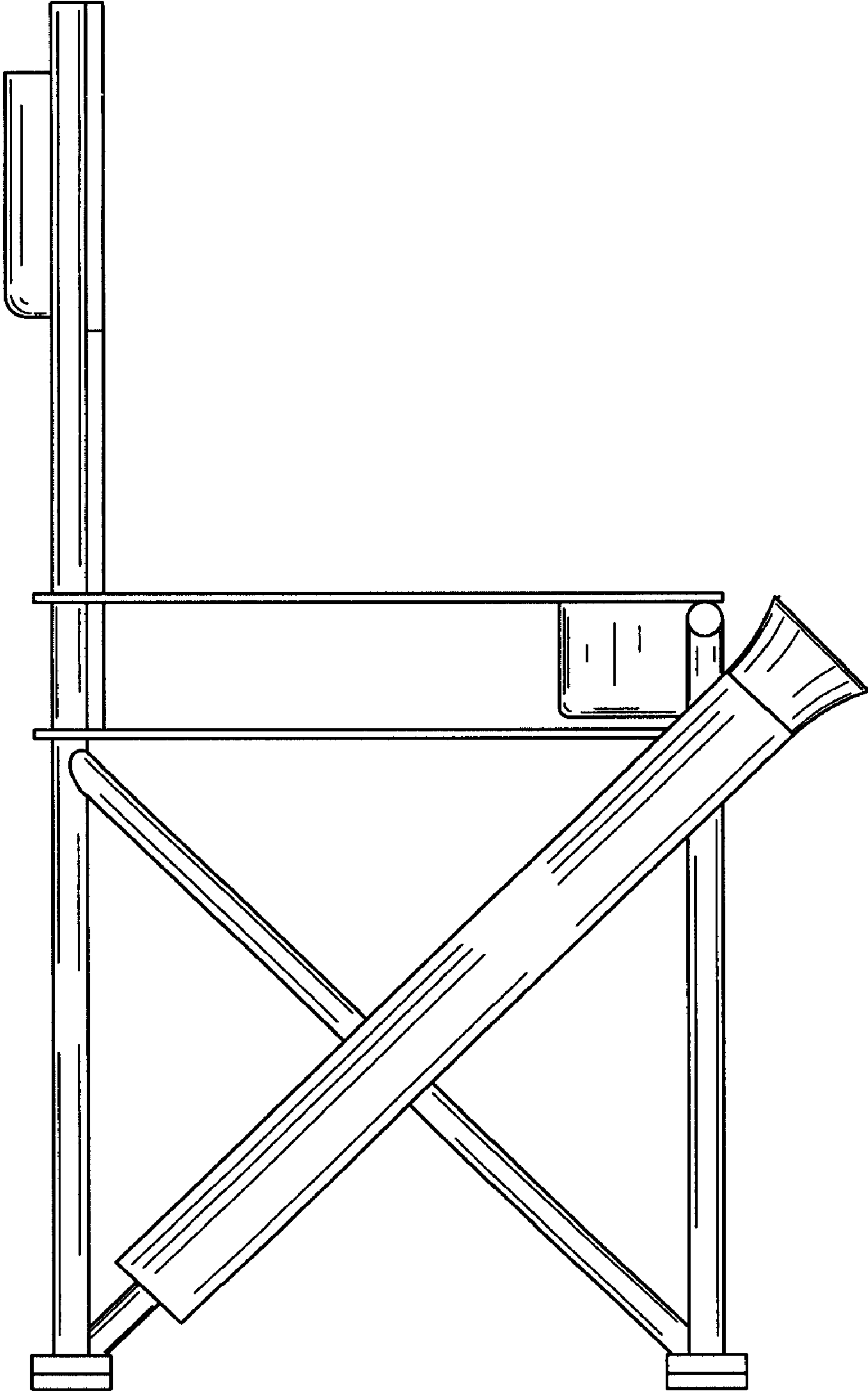


FIG. 1

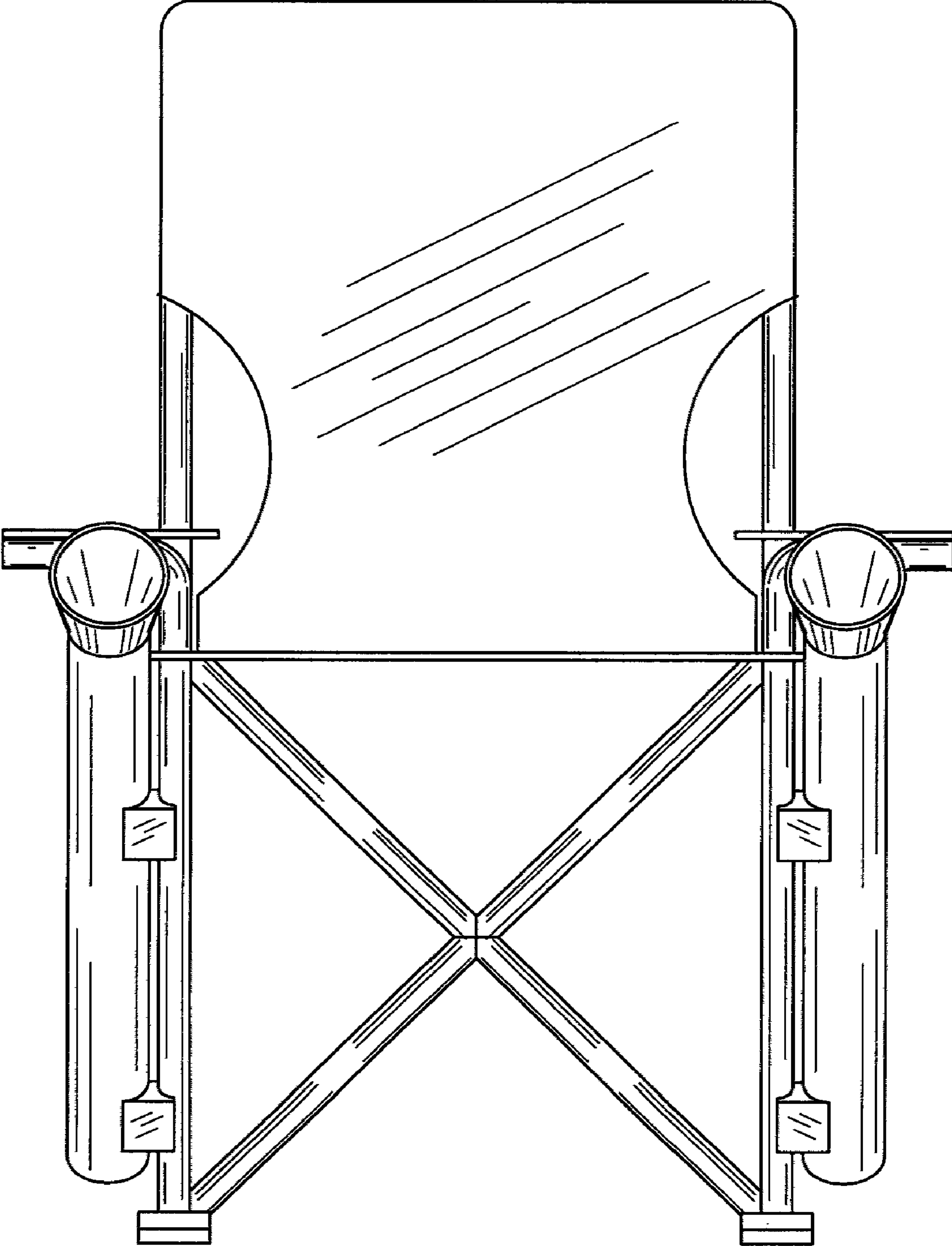


FIG. 2

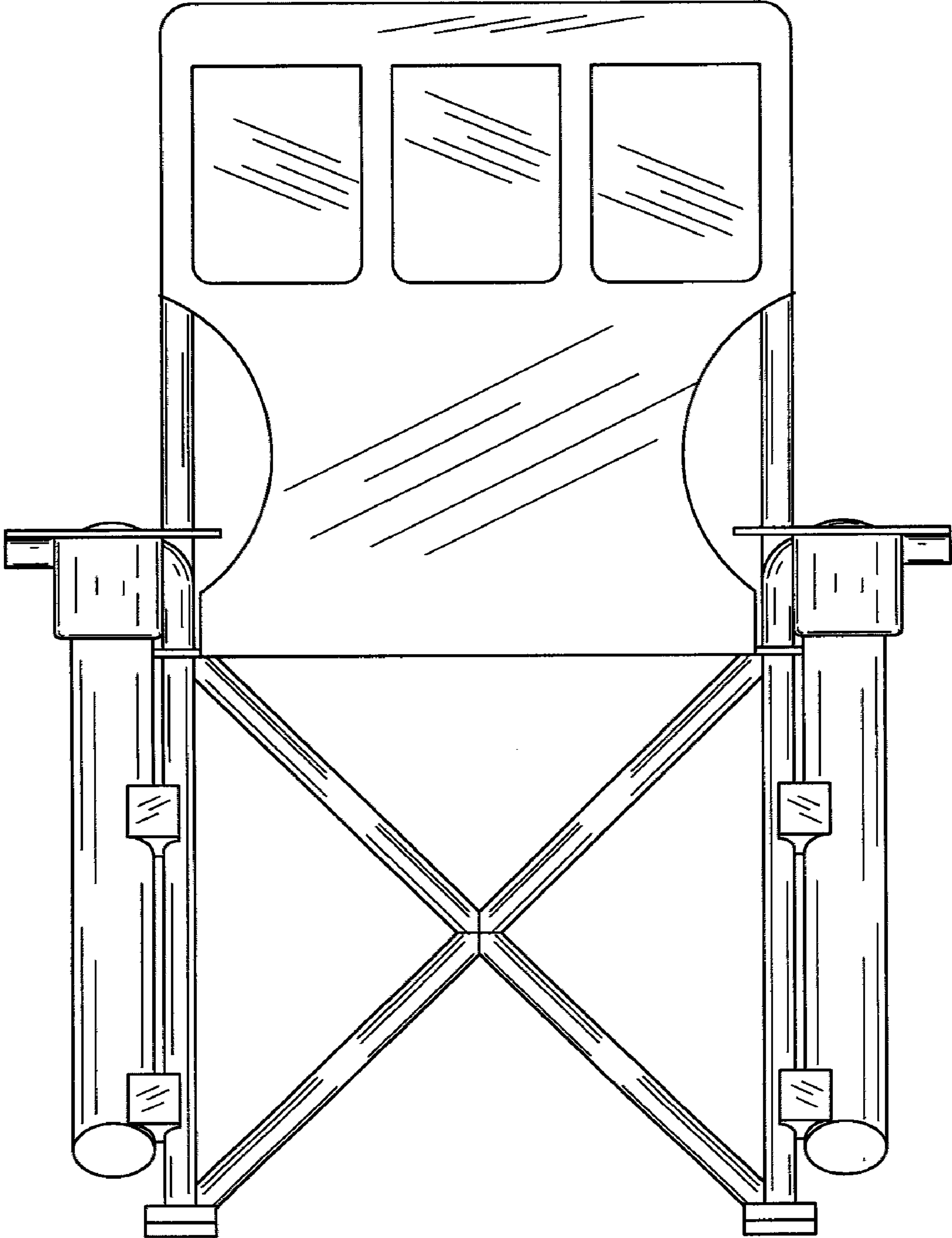


FIG.3

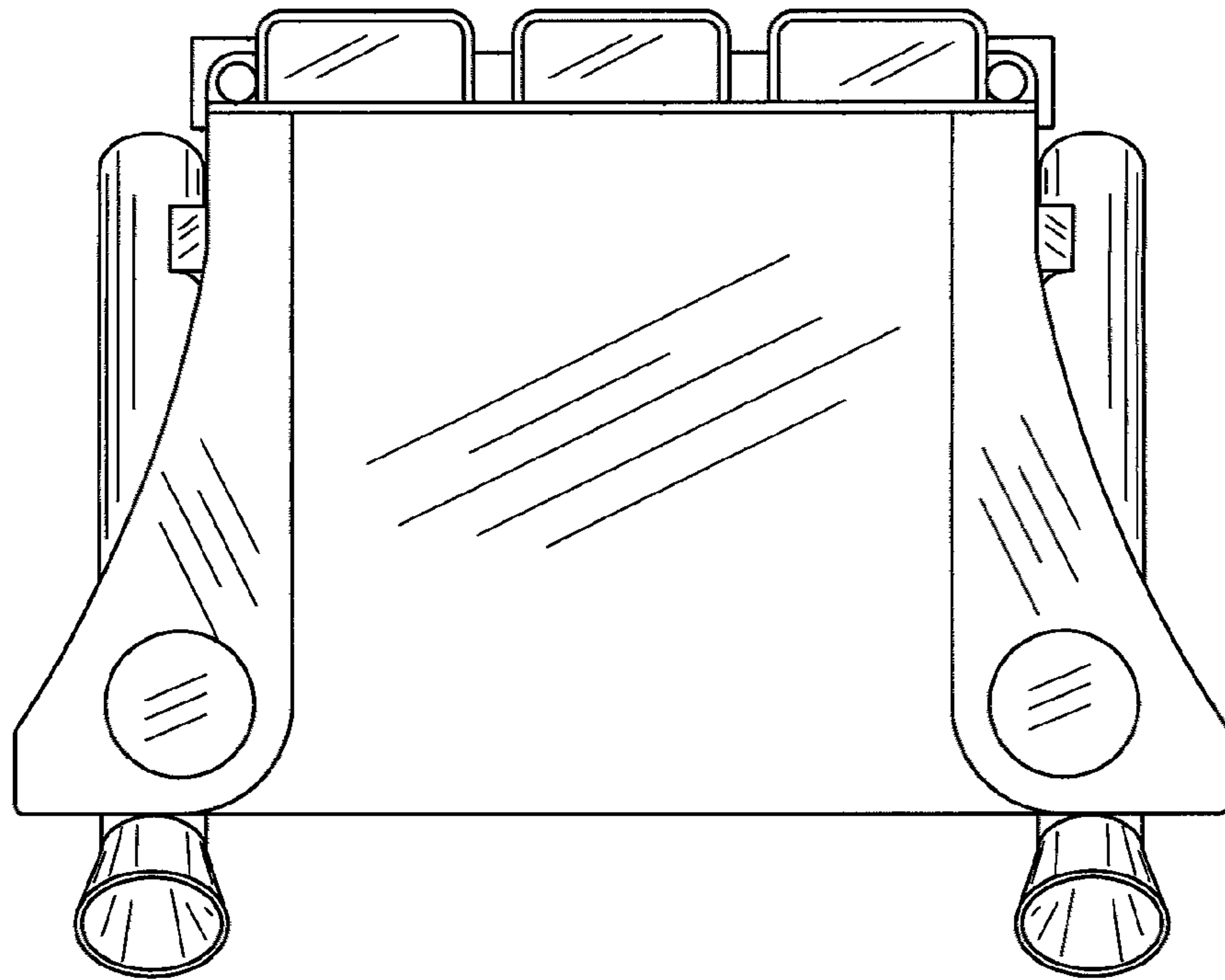


FIG. 4

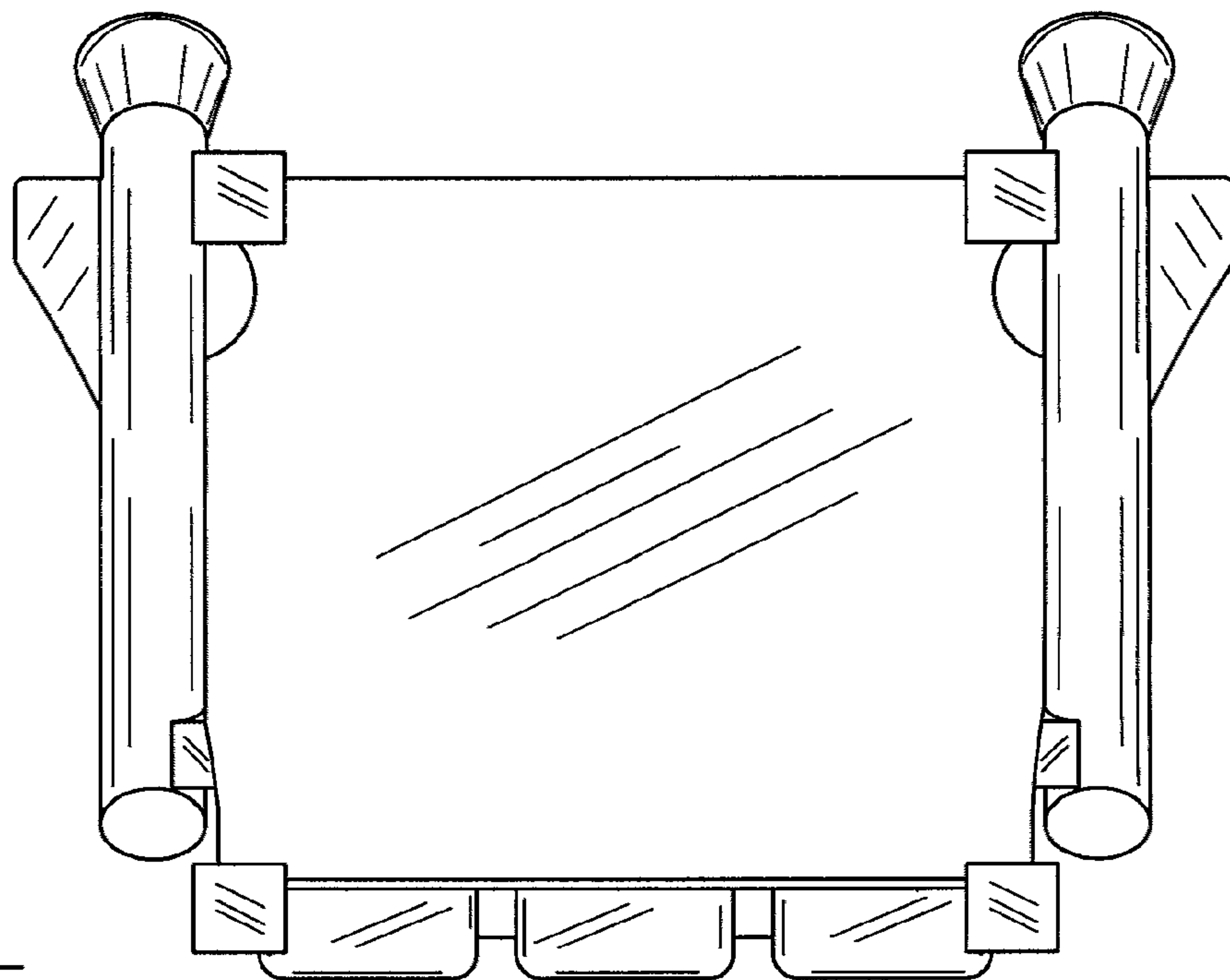


FIG. 5

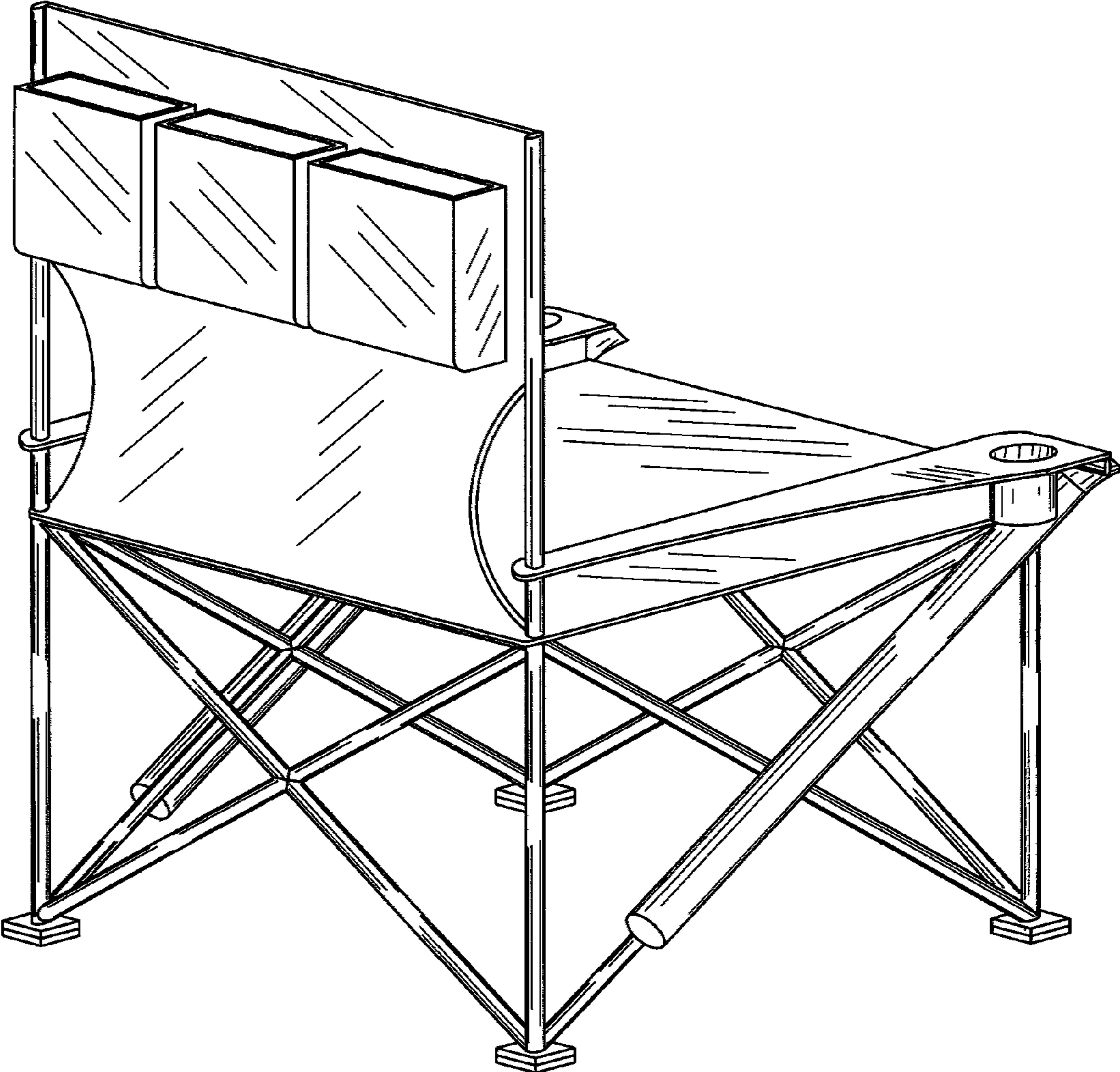


FIG.6

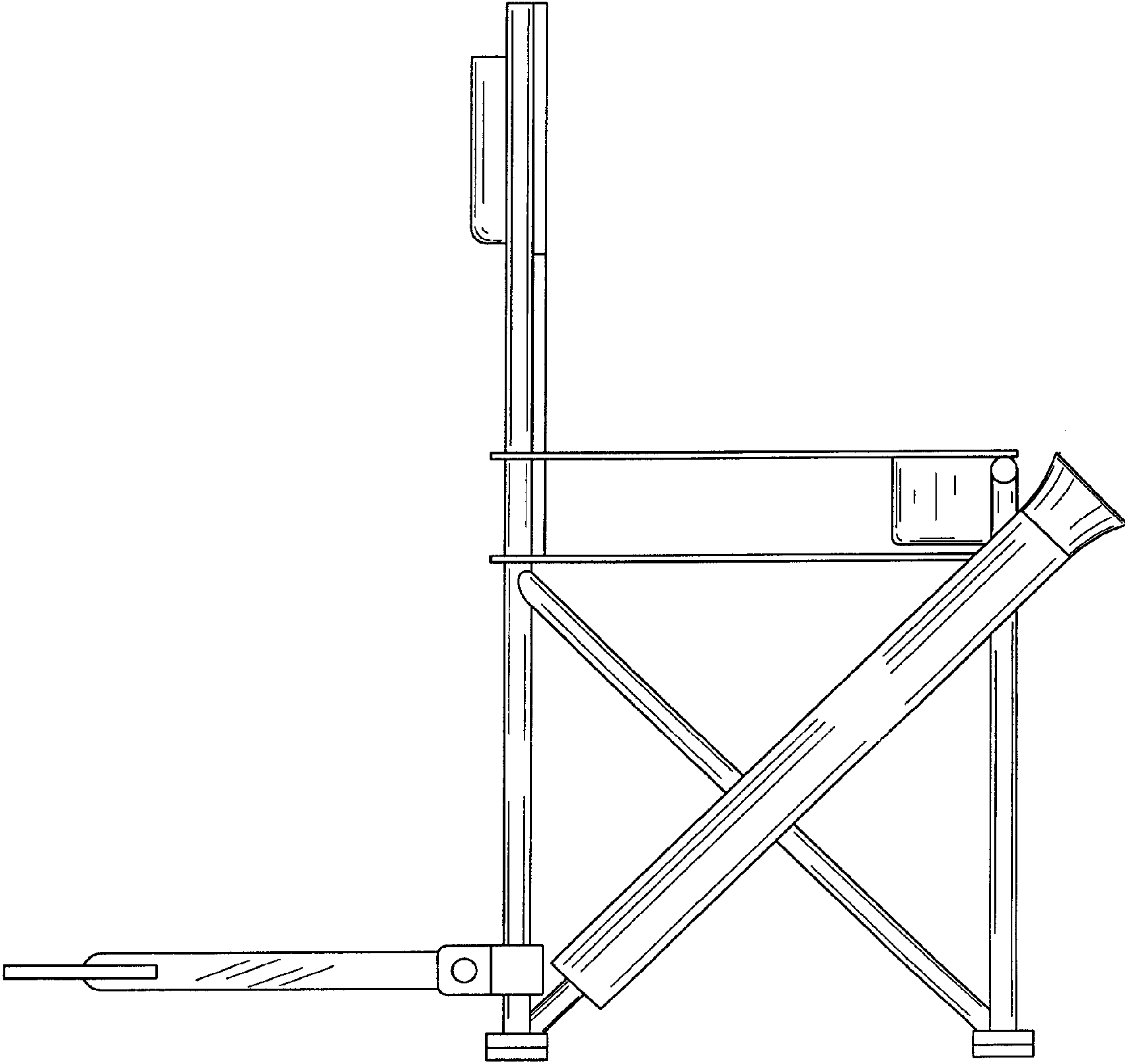


FIG. 7

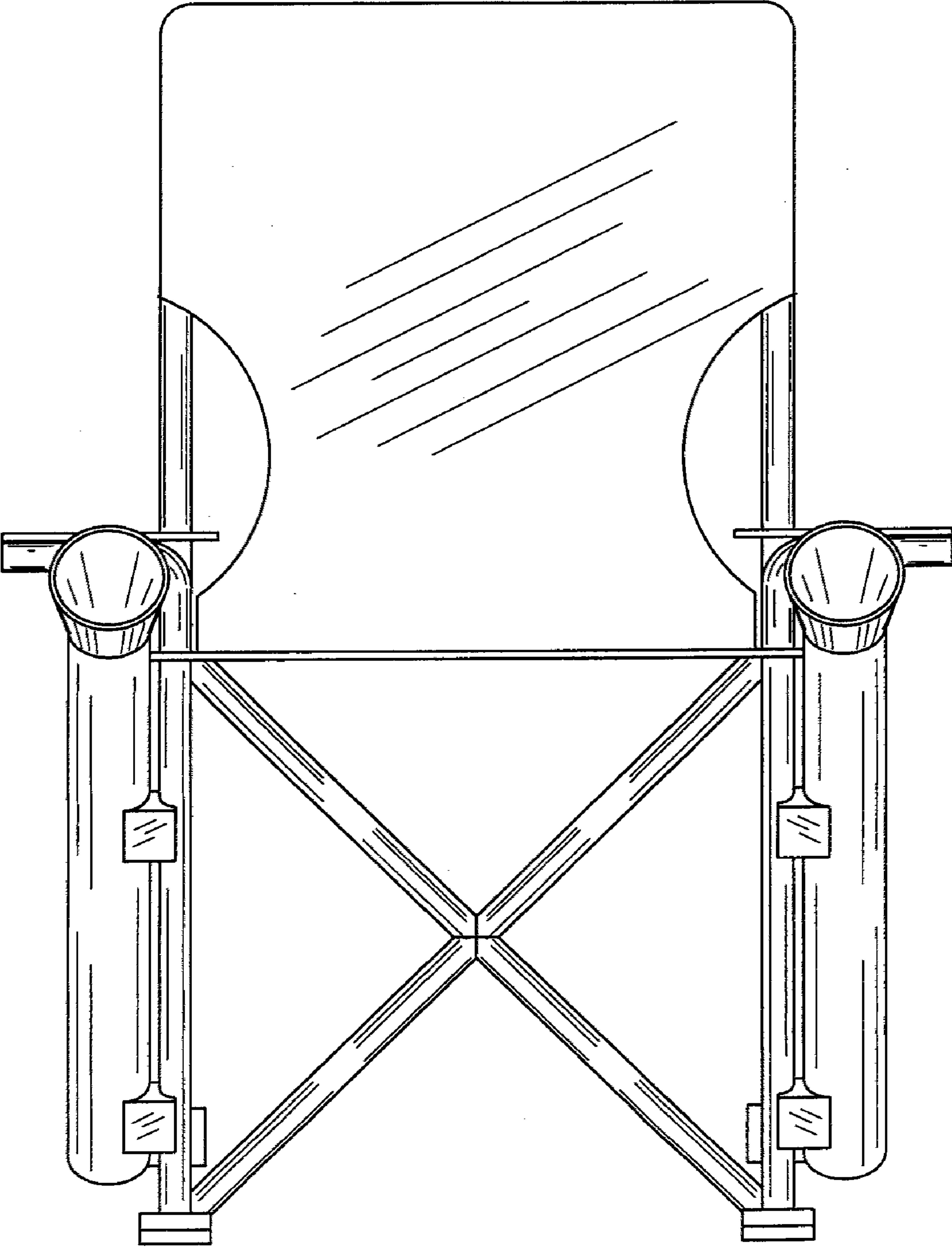


FIG. 8

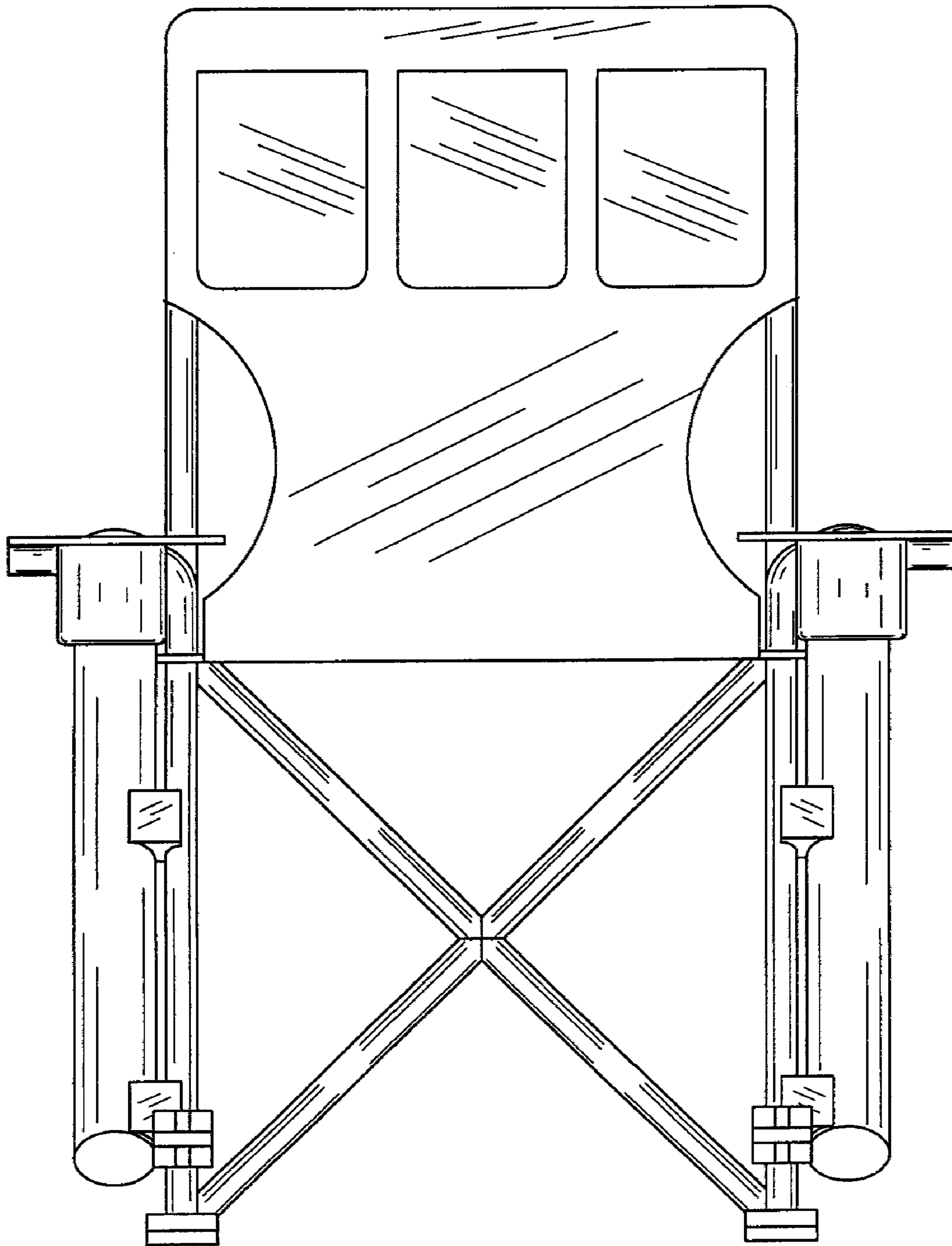


FIG. 9

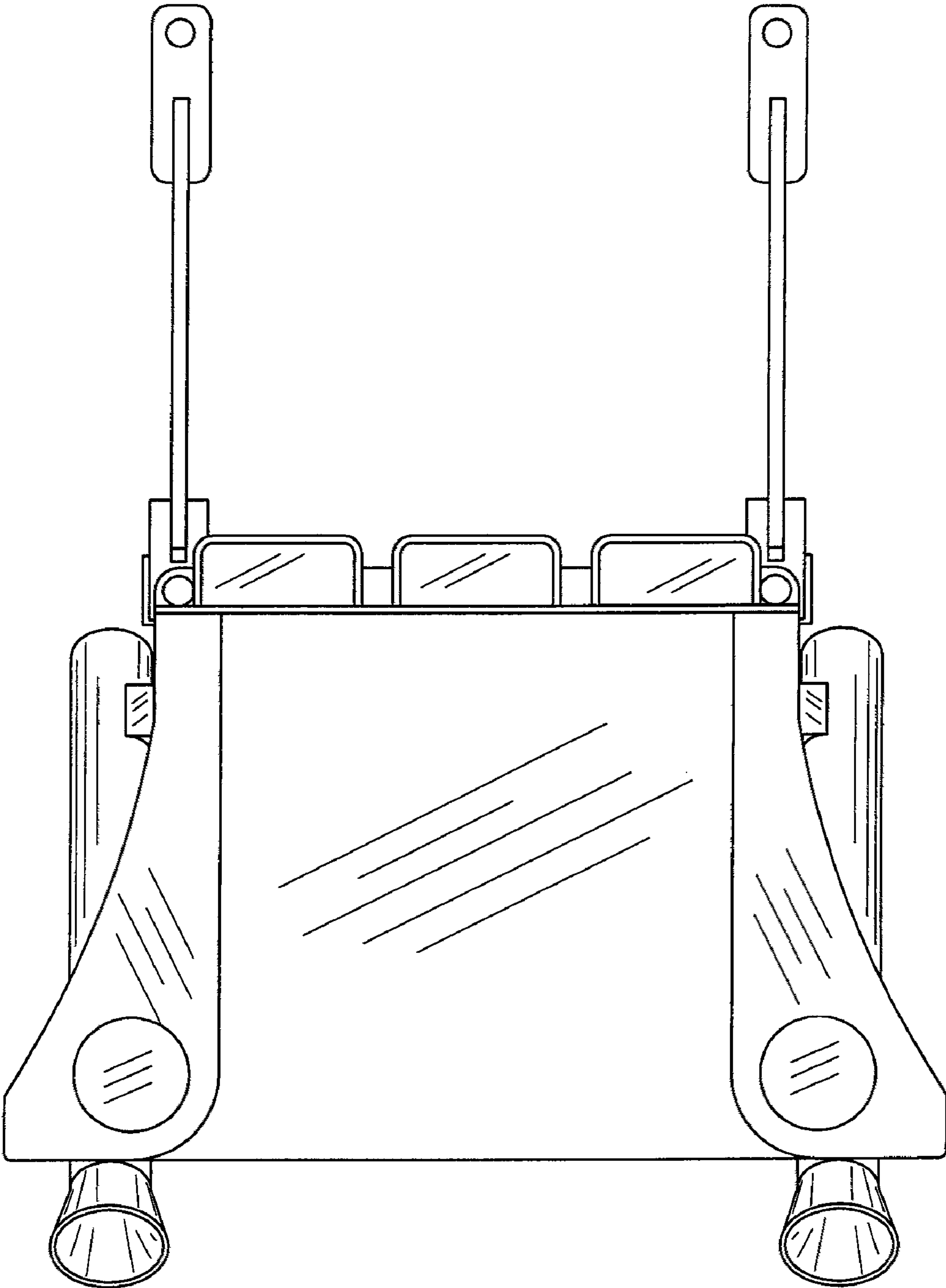


FIG. 10

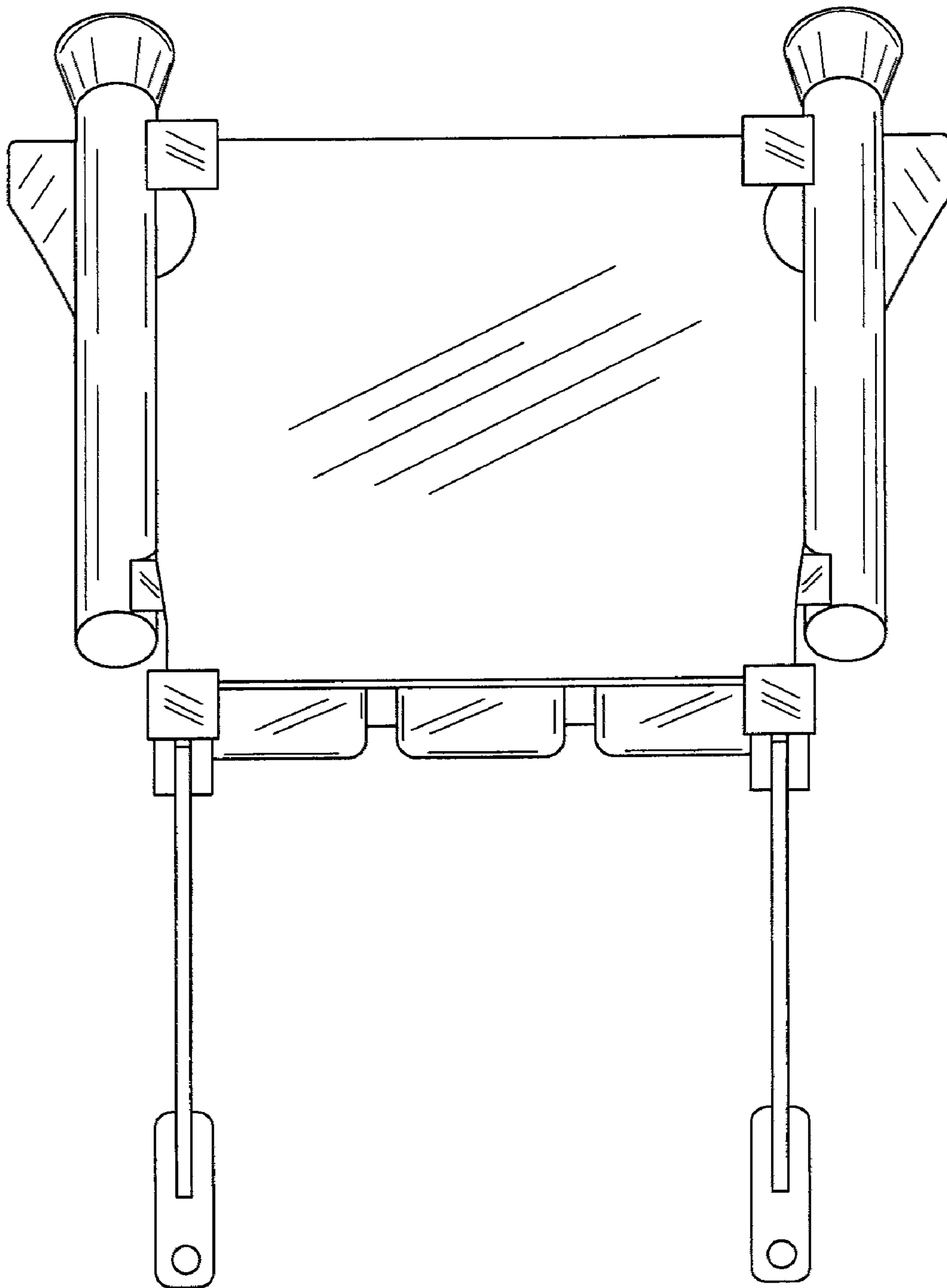


FIG. II

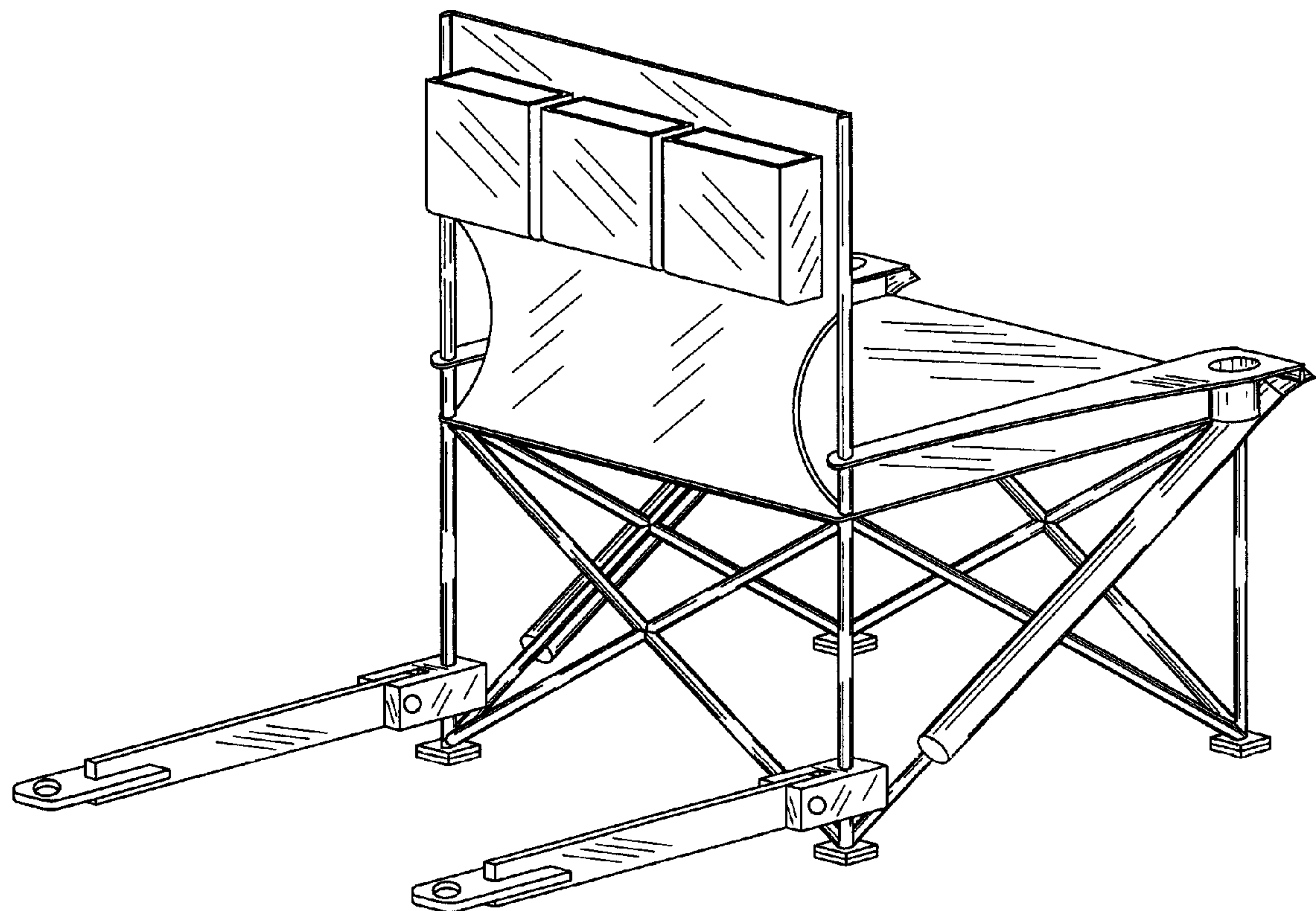


FIG. 12