



US00D677480S

(12) **United States Design Patent**  
**Starck et al.**

(10) **Patent No.:** **US D677,480 S**  
(45) **Date of Patent:** **\*\* Mar. 12, 2013**

(54) **STOOL**

(75) Inventors: **Philippe Starck**, Milan (IT); **Eugeni Quidlet**, Milan (IT)

(73) Assignee: **Kartell S.p.A.** (IT)

(\*\*) Term: **14 Years**

(21) Appl. No.: **29/403,386**

(22) Filed: **Oct. 5, 2011**

(30) **Foreign Application Priority Data**

Apr. 5, 2011 (IT) ..... MI2011O000048

(51) **LOC (9) Cl.** ..... **06-01**

(52) **U.S. Cl.** ..... **D6/360**

(58) **Field of Classification Search** ..... D6/334–336,  
D6/349, 360, 370, 371–373, 374, 375, 379,  
D6/380, 500–502; 297/445.1, 446.1, 447.4,  
297/448.1, 449.1, 452.18, 452.29  
See application file for complete search history.

(56) **References Cited**

**U.S. PATENT DOCUMENTS**

D494,375 S \* 8/2004 Starck ..... D6/374  
D544,229 S \* 6/2007 Bartlmae ..... D6/374

D610,379 S \* 2/2010 Muller ..... D6/502  
D617,567 S \* 6/2010 Stiker Metral ..... D6/360  
D651,006 S \* 12/2011 Jordan et al. .... D6/360  
D651,007 S \* 12/2011 Ciani et al. .... D6/360  
D654,279 S \* 2/2012 Barile ..... D6/360

\* cited by examiner

*Primary Examiner* — Mimoso De

(74) *Attorney, Agent, or Firm* — Cantor Colburn LLP

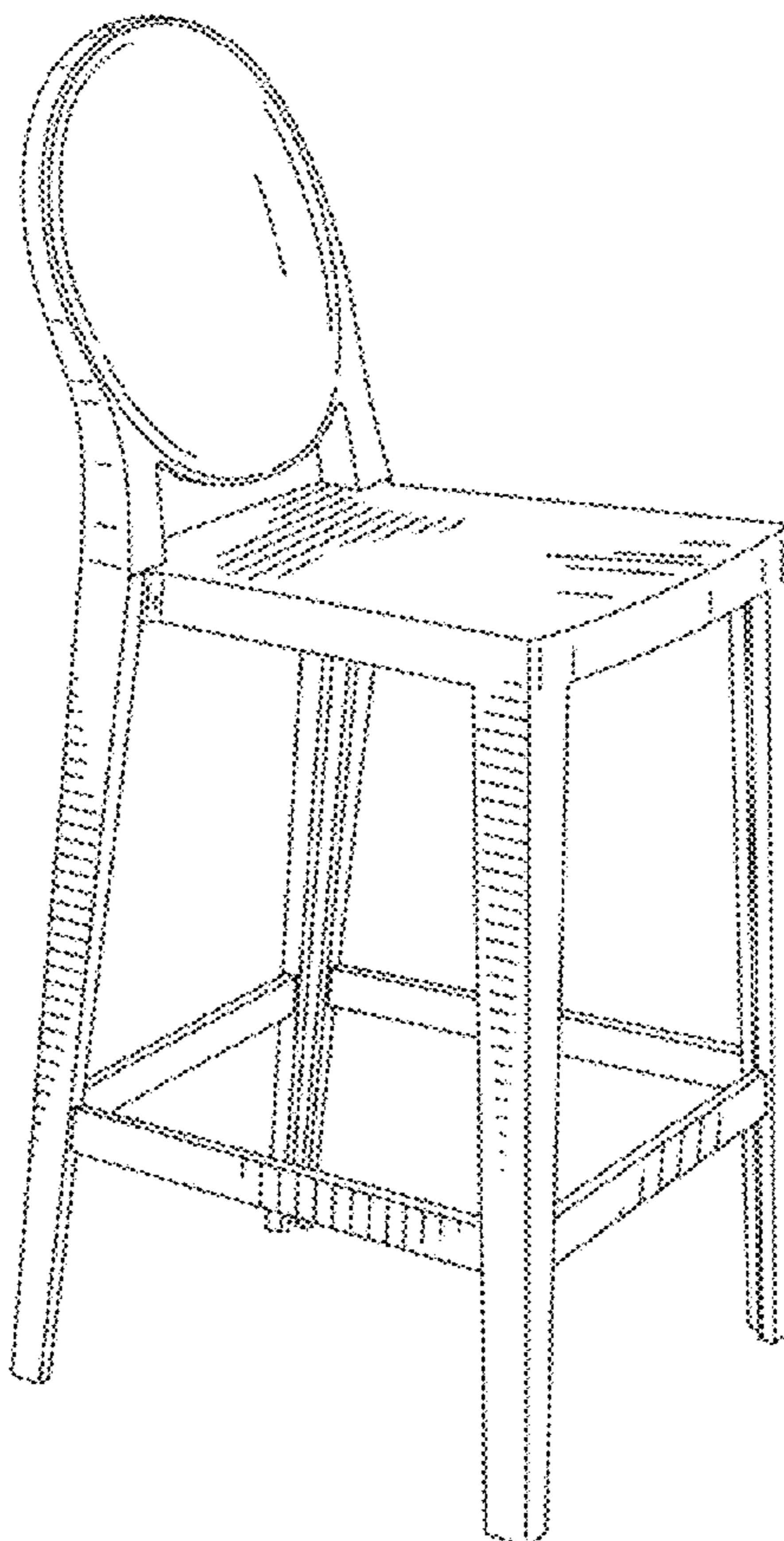
(57) **CLAIM**

We claim, the ornamental design for a stool, as shown and described.

**DESCRIPTION**

FIG. 1 is a front perspective view of a stool, showing our new design;  
FIG. 2 is a front elevation view thereof;  
FIG. 3 is a rear elevation view thereof;  
FIG. 4 is a side elevation view thereof taken from the left of FIG. 2;  
FIG. 5 is a side elevation view thereof taken from the right of FIG. 2;  
FIG. 6 is top plan view thereof; and,  
FIG. 7 is a bottom plan view thereof.

**1 Claim, 6 Drawing Sheets**



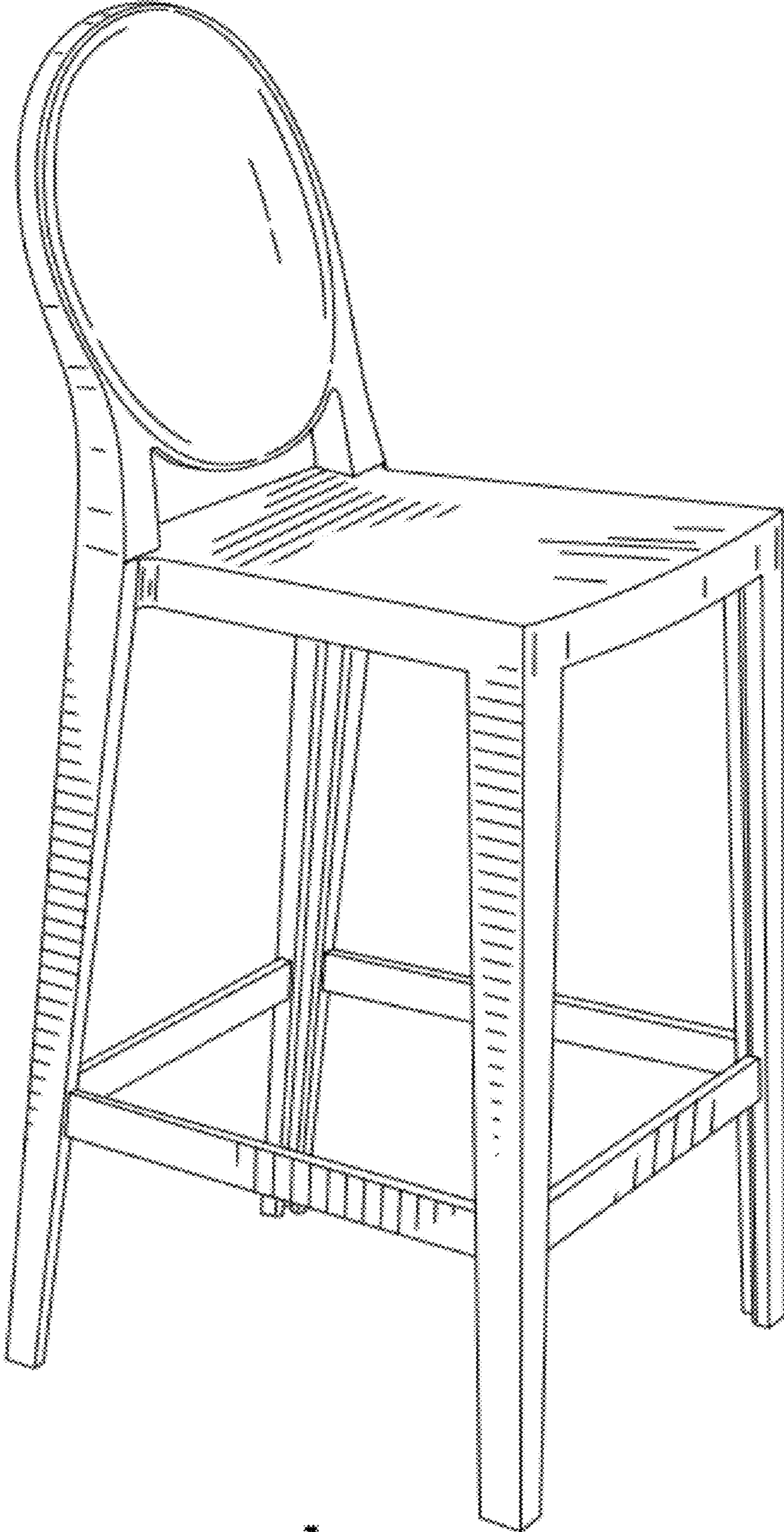


FIG. 1

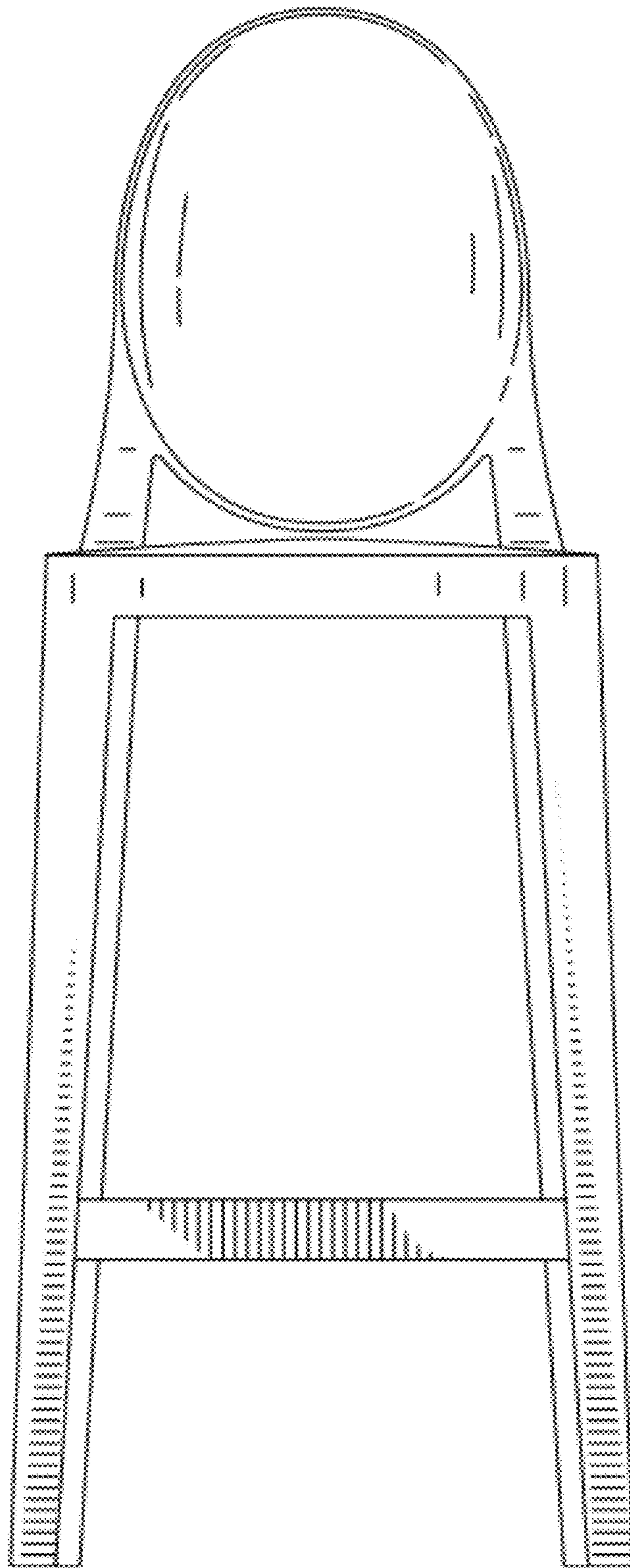


FIG. 2

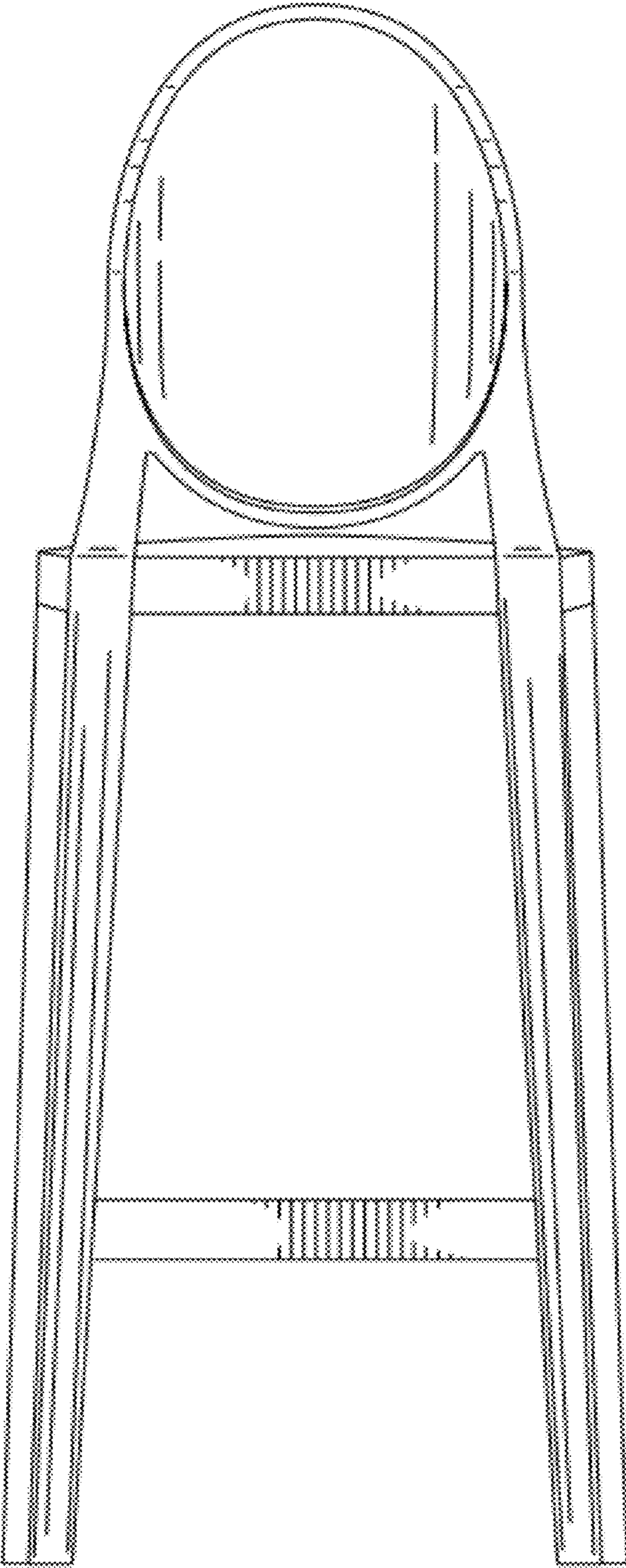


FIG. 3

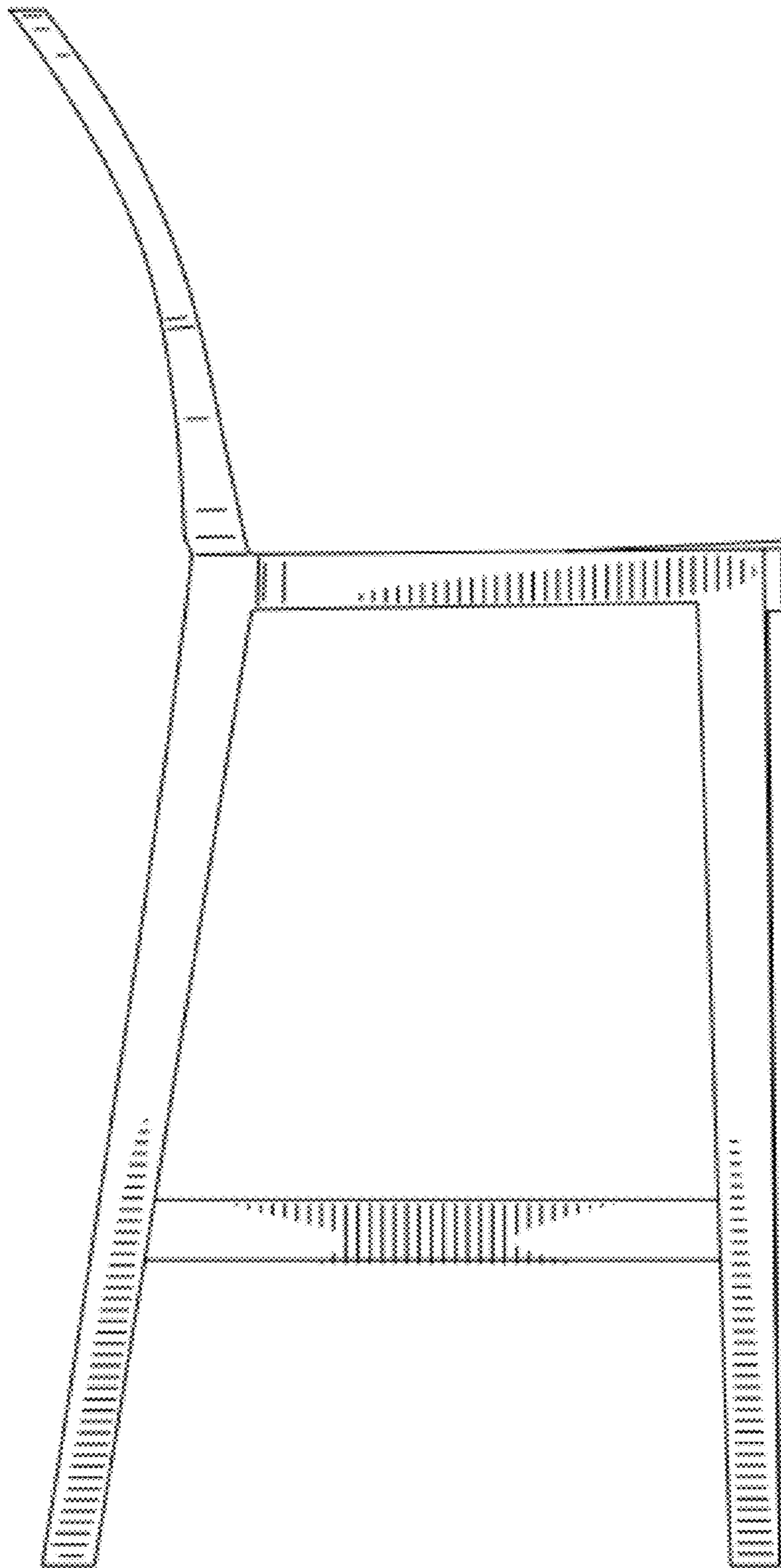


FIG. 4

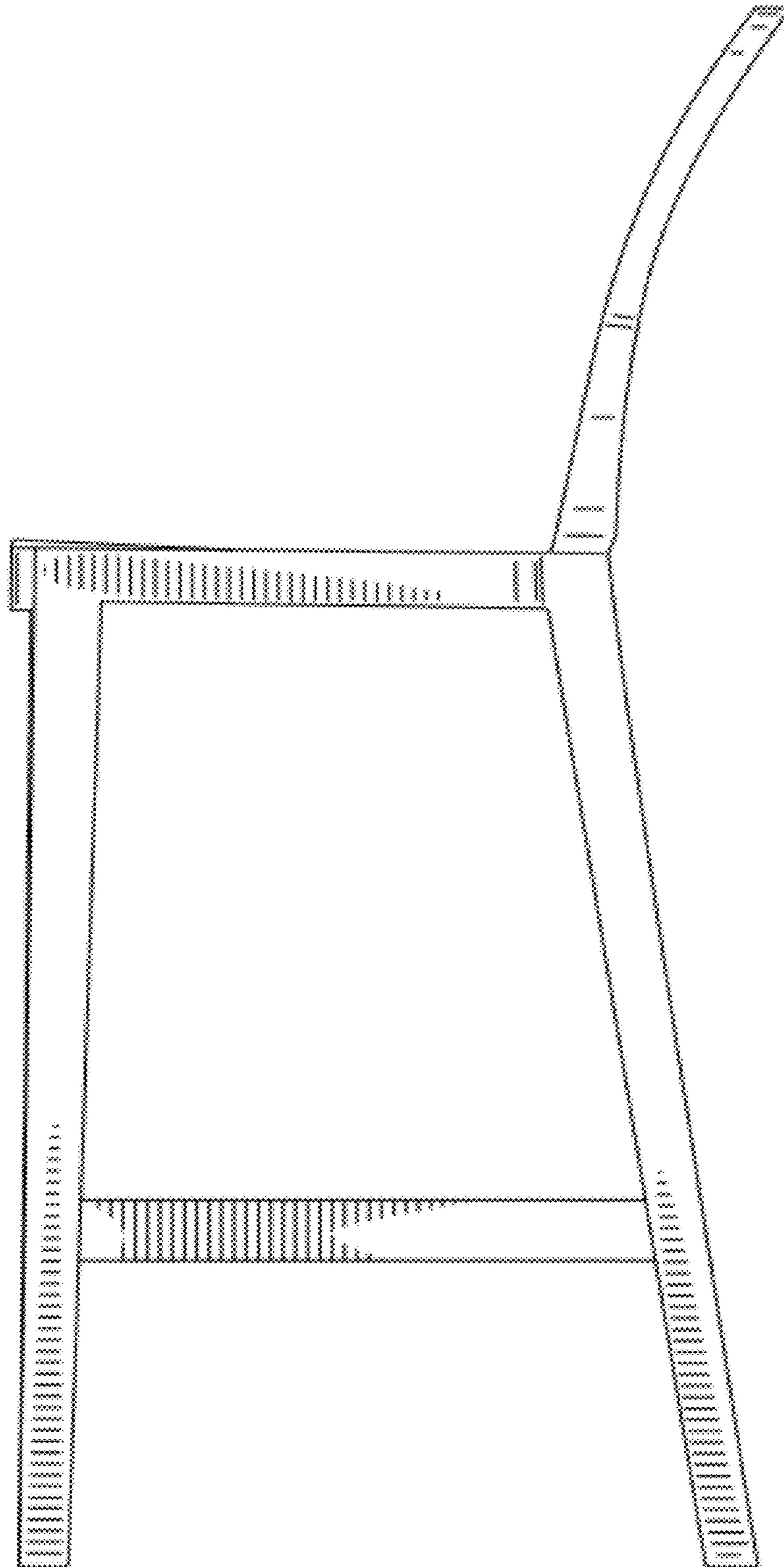


FIG. 5

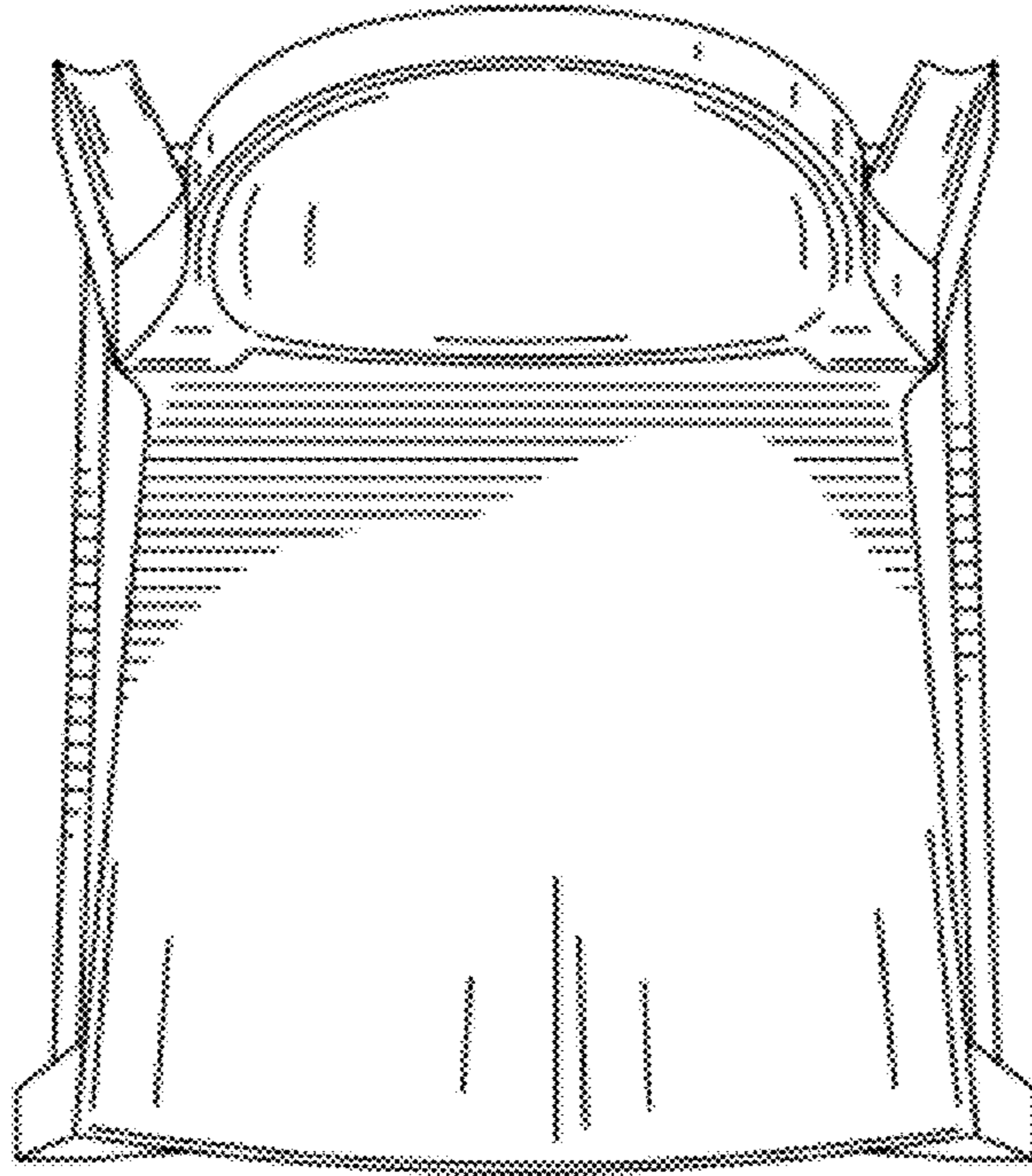


FIG. 6

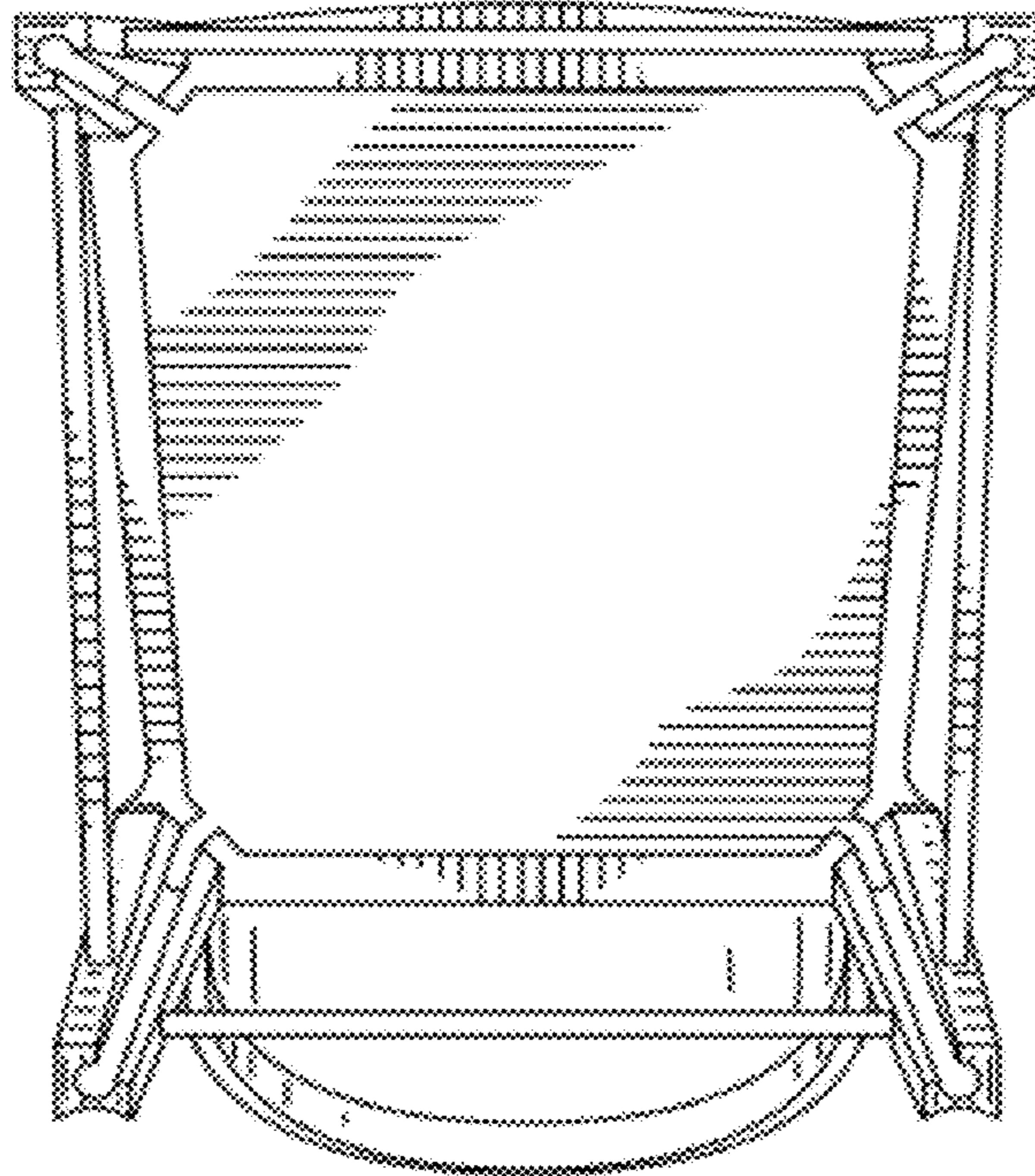


FIG. 7