



US00D677476S

(12) **United States Design Patent**
Crawford

(10) **Patent No.:** **US D677,476 S**

(45) **Date of Patent:** **** Mar. 12, 2013**

(54) **CHAIR**

(75) Inventor: **Jon Crawford**, Burntisland (GB)

(73) Assignee: **Senator International Limited** (GB)

(**) Term: **14 Years**

(21) Appl. No.: **29/426,822**

(22) Filed: **Jul. 11, 2012**

(51) **LOC (9) Cl.** **06-01**

(52) **U.S. Cl.** **D6/334**

(58) **Field of Classification Search** D6/334-338,
D6/349, 355, 361, 368-370, 376, 379-381,
D6/492, 500-502; 297/16.1, 42, 94, 135,
297/175, 232, 233, 350, 351, 445.1, 448.1,
297/448.2, 451.9; 5/12.1, 12.2
See application file for complete search history.

(56) **References Cited**

U.S. PATENT DOCUMENTS

D183,416 S * 8/1958 Bellman D6/375
2,989,112 A * 6/1961 Sonnleitner 156/213
D193,847 S * 10/1962 Gilbert D6/375

D219,376 S * 12/1970 Pearson D6/364
D253,261 S * 10/1979 Webster D6/336
D261,702 S * 11/1981 Whalen D6/334
D288,506 S * 3/1987 Ochsner D6/375
D334,487 S * 4/1993 Perry D6/364
D546,085 S * 7/2007 Ritch et al. D6/366
D636,612 S * 4/2011 Overthun et al. D6/338
D646,085 S * 10/2011 Overthun et al. D6/500
D646,497 S * 10/2011 Overthun et al. D6/375
D667,243 S * 9/2012 Su D6/500

* cited by examiner

Primary Examiner — Sandra Snapp

(74) *Attorney, Agent, or Firm* — Florek & Endres PLLC

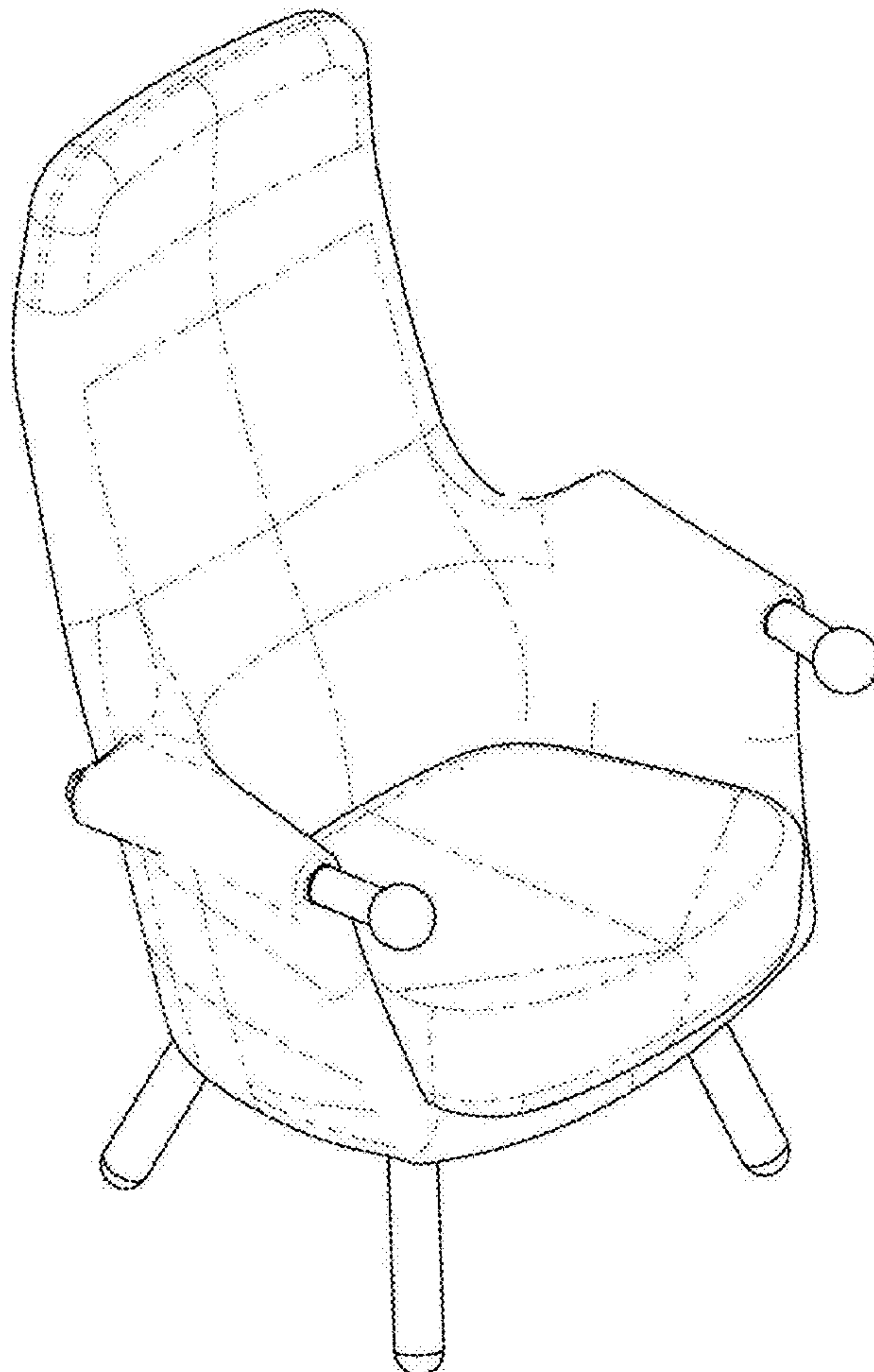
(57) **CLAIM**

The ornamental design for a chair, as shown and described.

DESCRIPTION

FIG. 1 is a front elevational view of chair;
FIG. 2 is a rear elevational view thereof;
FIG. 3 is a left side elevational view thereof;
FIG. 4 is a right side elevational view thereof;
FIG. 5 is a top plan view thereof;
FIG. 6 is a bottom plan view thereof; and,
FIG. 7 is a front perspective view thereof.

1 Claim, 7 Drawing Sheets



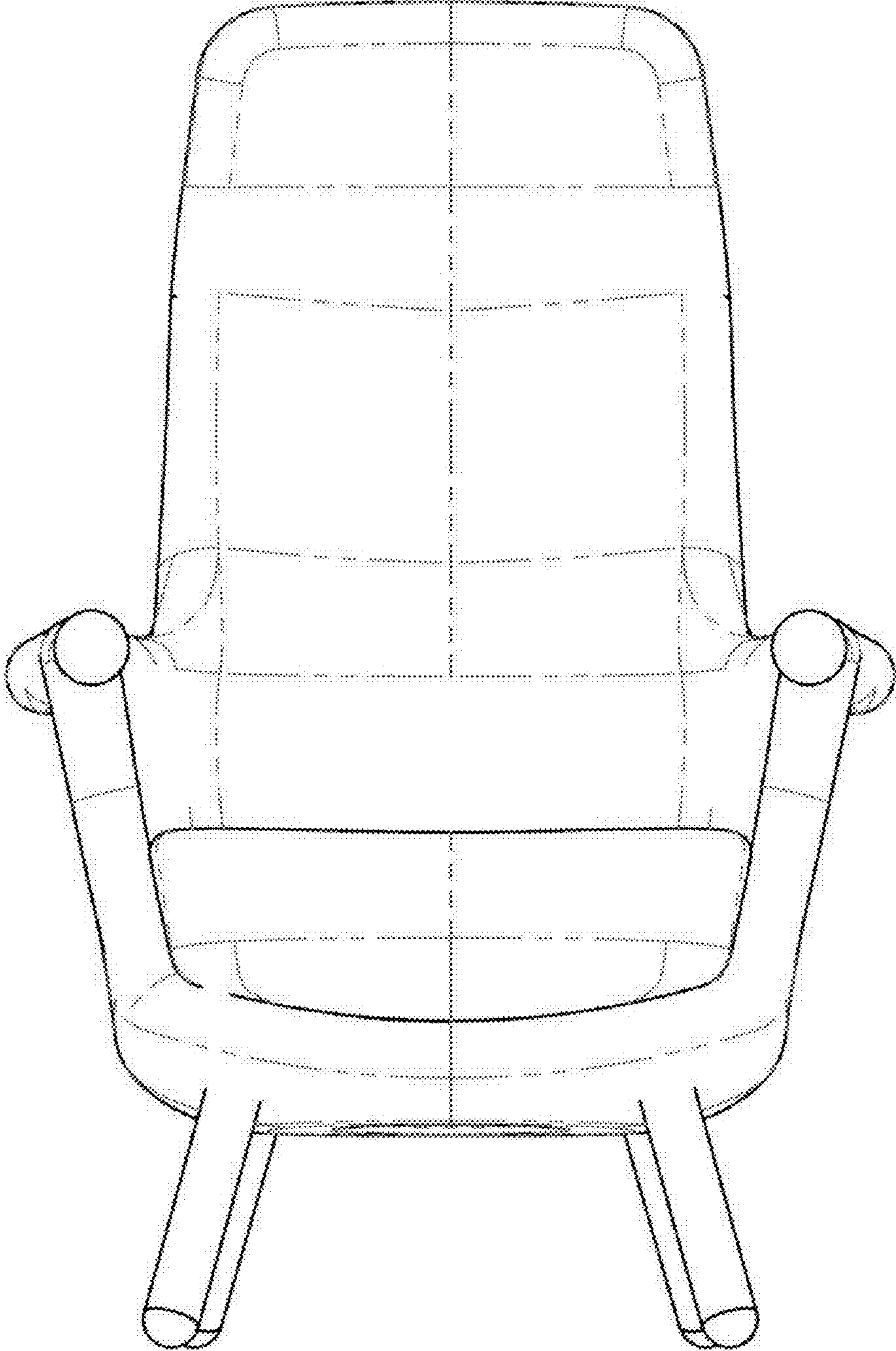


FIG. 1

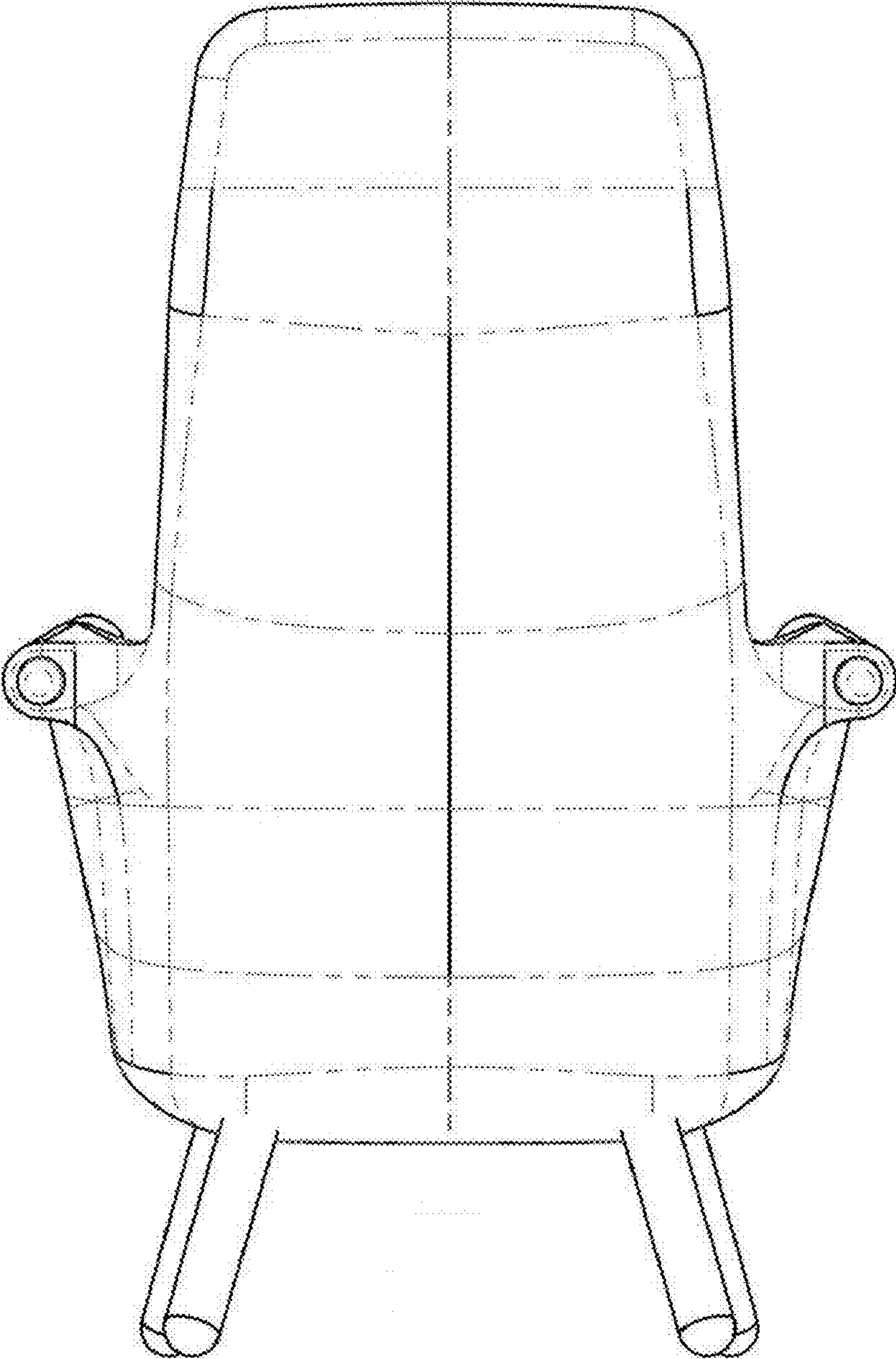


FIG. 2

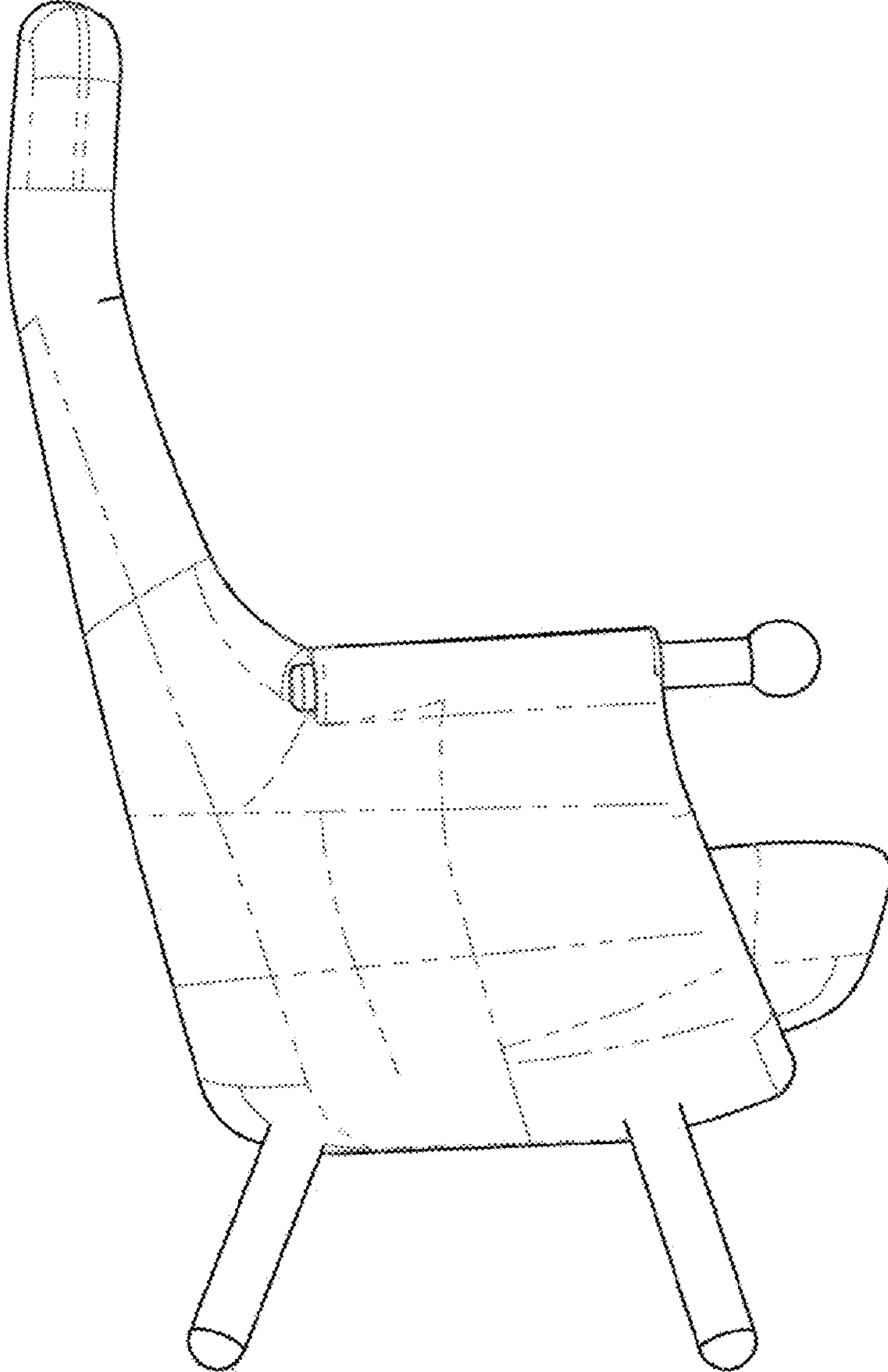


FIG. 3

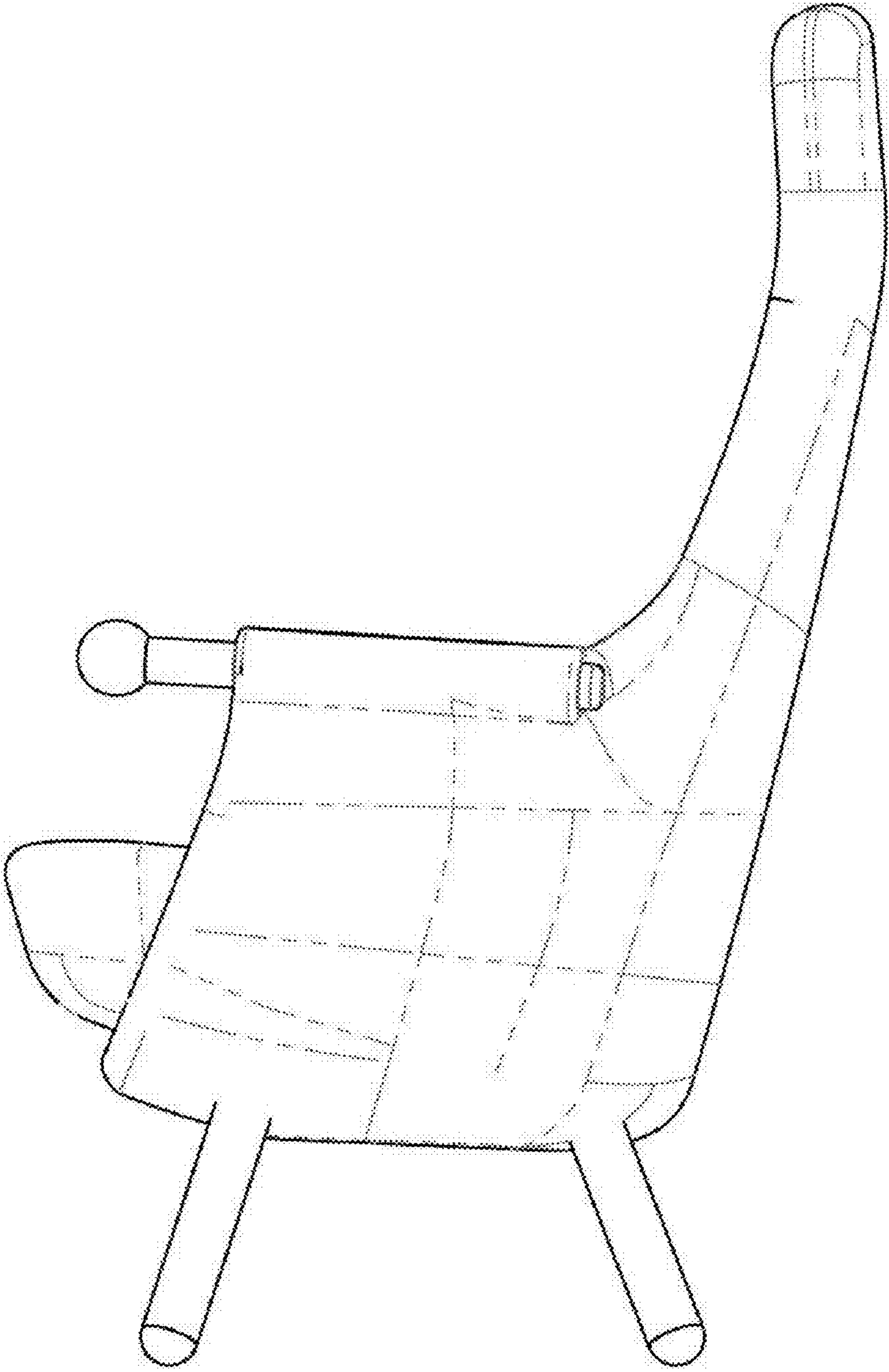


FIG. 4

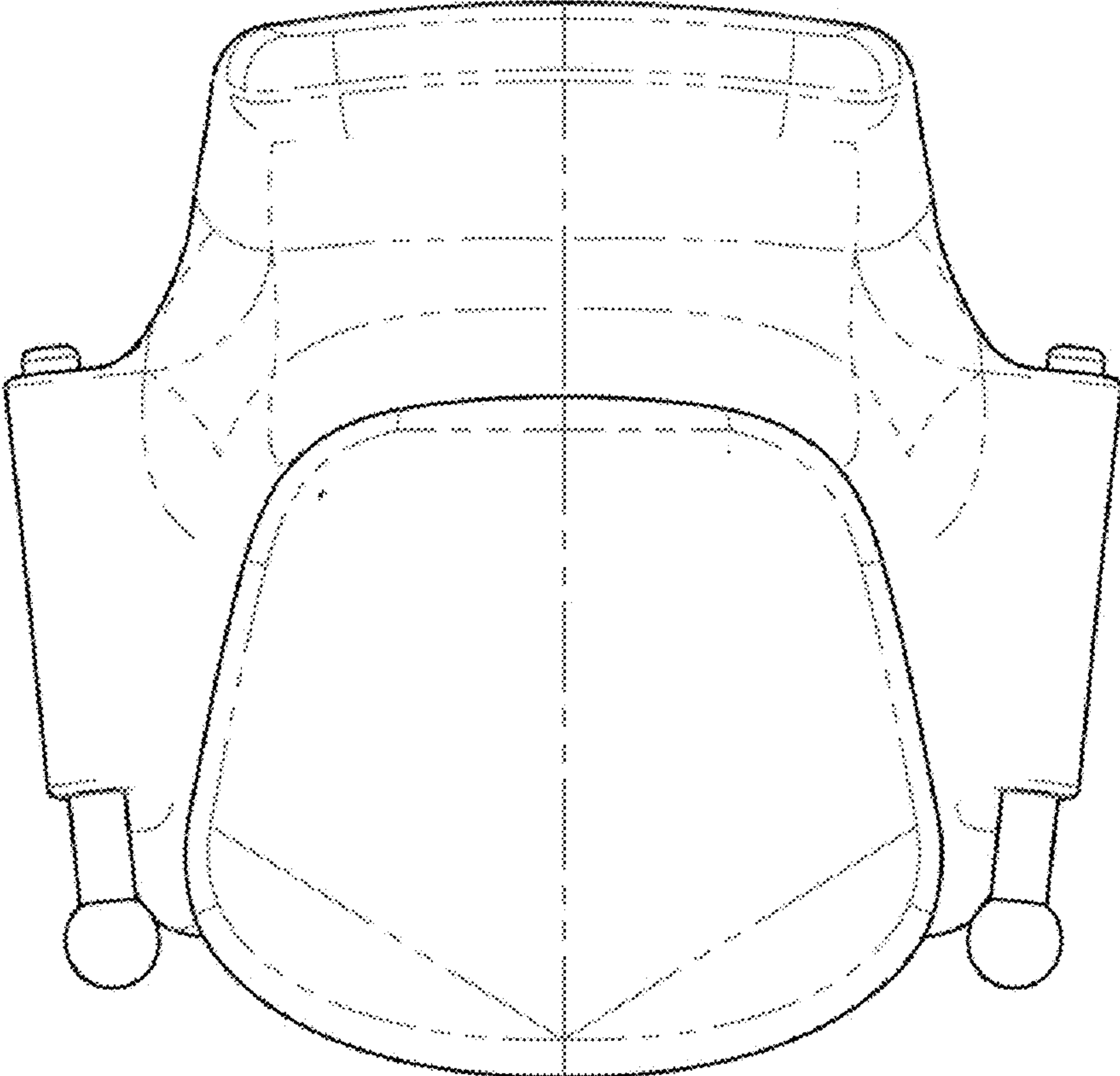


FIG. 5

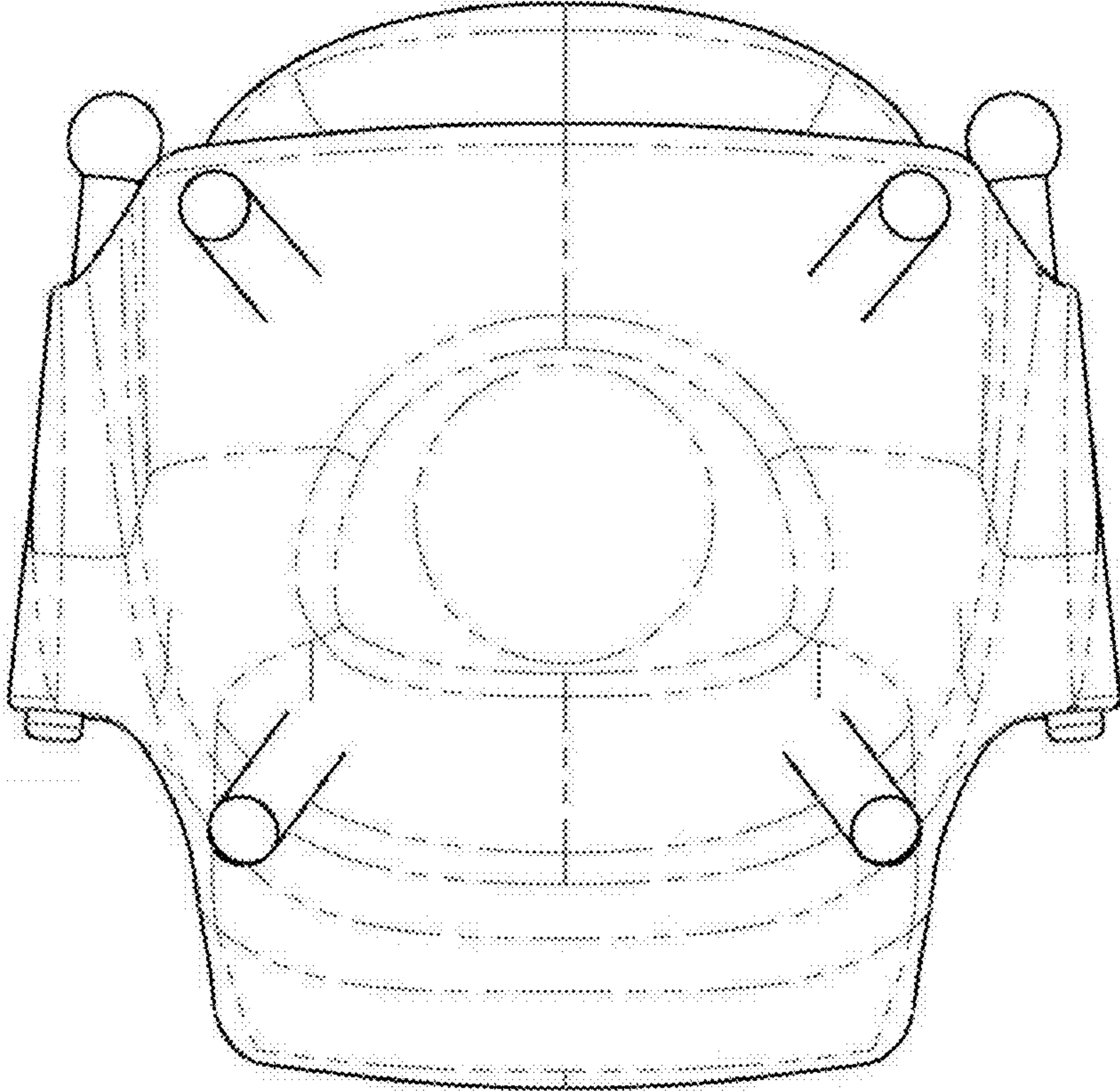


FIG. 6

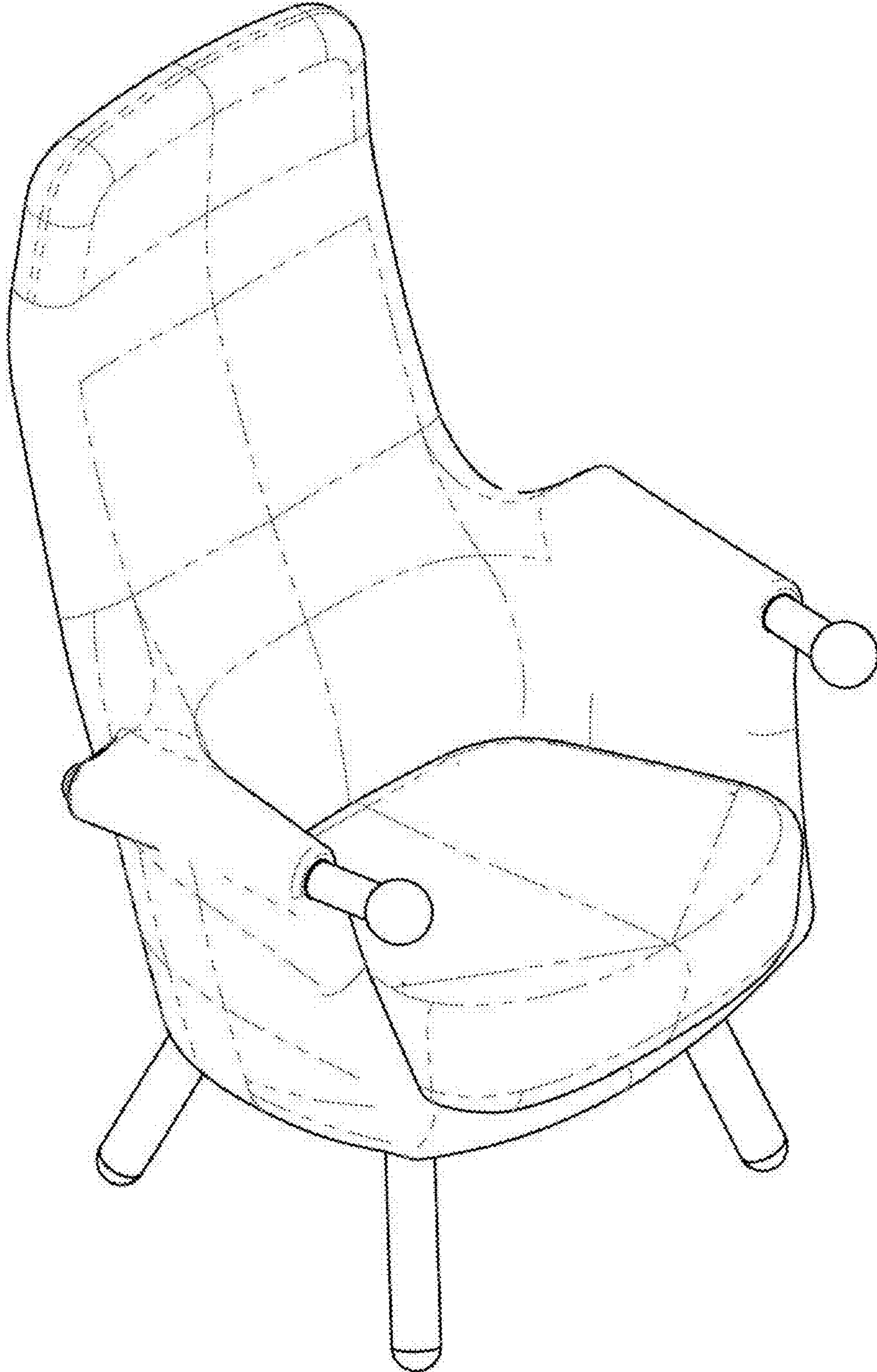


FIG. 7