



US00D677474S

(12) **United States Design Patent**  
**Harris et al.**

(10) **Patent No.:** **US D677,474 S**  
(45) **Date of Patent:** **\*\* Mar. 12, 2013**

(54) **SECURITY SYSTEM PICTURE FRAME**

(75) Inventors: **David Ross Harris**, Ridgeland, MS  
(US); **Derek Gibbs**, Ridgeland, MS (US)

(73) Assignee: **Frame Safe LLC**, Ridgeland, MS (US)

(\*\*) Term: **14 Years**

(21) Appl. No.: **29/417,451**

(22) Filed: **Apr. 3, 2012**

(51) **LOC (9) Cl.** ..... **06-07**

(52) **U.S. Cl.** ..... **D6/310**

(58) **Field of Classification Search** ..... D6/300-314,  
D6/433, 432; D14/250, 447; D10/15; 40/732,  
40/700, 720, 721, 725, 765, 745, 747, 790,  
40/798; D19/52, 26; D9/418, 346; D23/366  
See application file for complete search history.

(56) **References Cited**

**U.S. PATENT DOCUMENTS**

D306,659 S *	3/1990	Mercandante	.....	D6/300
4,939,858 A *	7/1990	Dailey	.....	40/732
D311,219 S *	10/1990	Bergh	.....	D19/26
D339,693 S *	9/1993	Gordon	.....	D6/300
D353,942 S *	1/1995	Lo et al.	.....	D6/310
D383,908 S *	9/1997	Waszkiewicz, III	.....	D6/300
D401,767 S *	12/1998	Leung	.....	D6/306
D410,683 S *	6/1999	Carter	.....	D19/52

D545,694 S *	7/2007	Bhavnani	.....	D10/15
D578,311 S *	10/2008	Cooley	.....	D6/310
D613,953 S *	4/2010	Hammer	.....	D6/310
D663,294 S *	7/2012	Buxton	.....	D14/250

\* cited by examiner

*Primary Examiner* — Philip S Hyder

*Assistant Examiner* — Sydney Buffalow

(74) *Attorney, Agent, or Firm* — QuickPatents; Kevin Prince

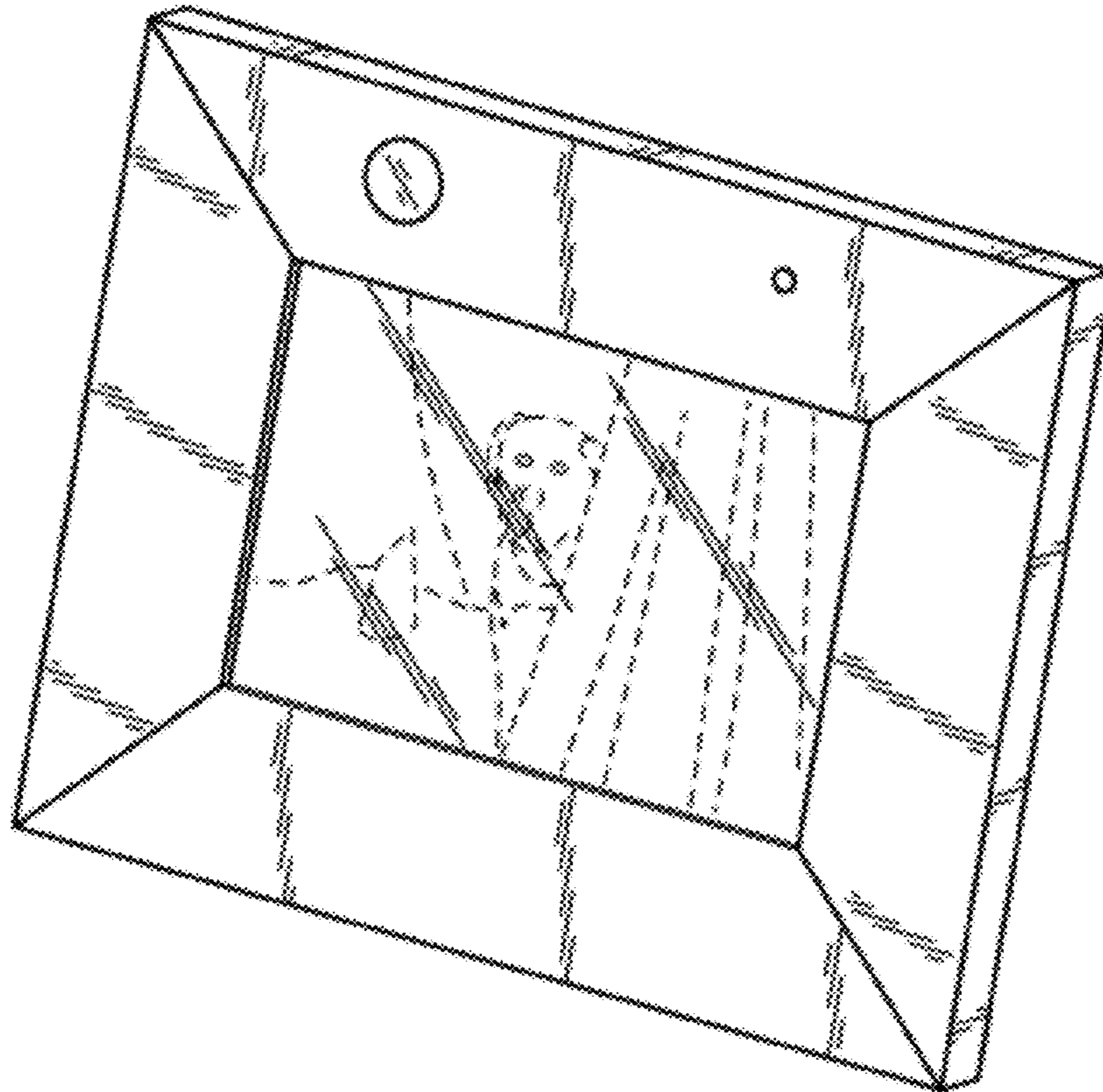
(57) **CLAIM**

We claim the ornamental design for a security system picture frame, as shown and described.

**DESCRIPTION**

FIG. 1 is a front perspective view of a security system picture frame, showing our new design;  
FIG. 2 is a rear perspective view thereof;  
FIG. 3 is a front elevational view thereof;  
FIG. 4 is a top plan view thereof;  
FIG. 5 is a bottom plan view thereof;  
FIG. 6 is a left-side elevational view thereof;  
FIG. 7 is a rear elevational view thereof; and,  
FIG. 8 is a right-side elevational view thereof.  
The broken lines showing a photograph and an AC Adapter in the figures depict environmental matter and form no part of the claimed design.

**1 Claim, 3 Drawing Sheets**



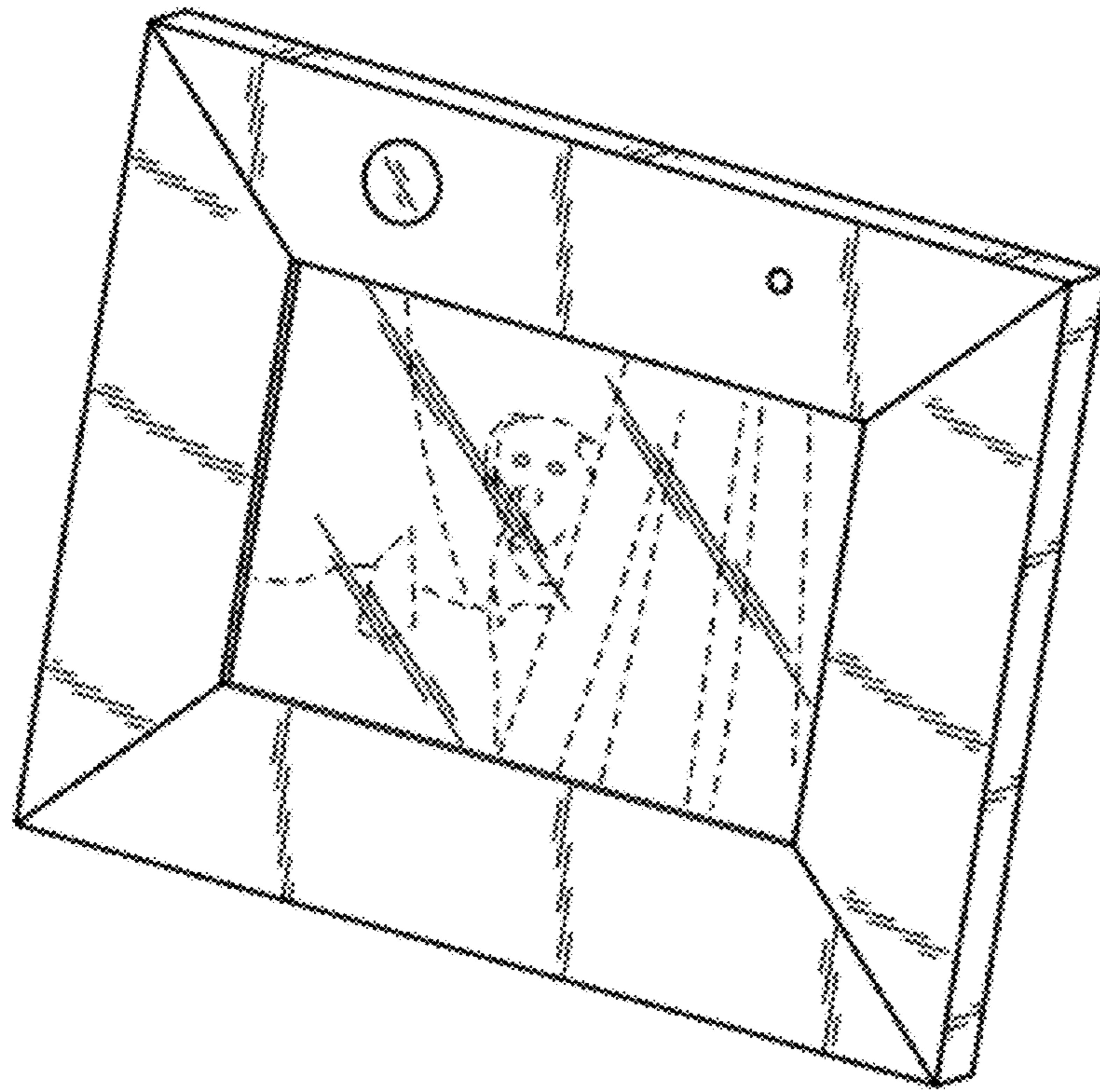


FIG. 1

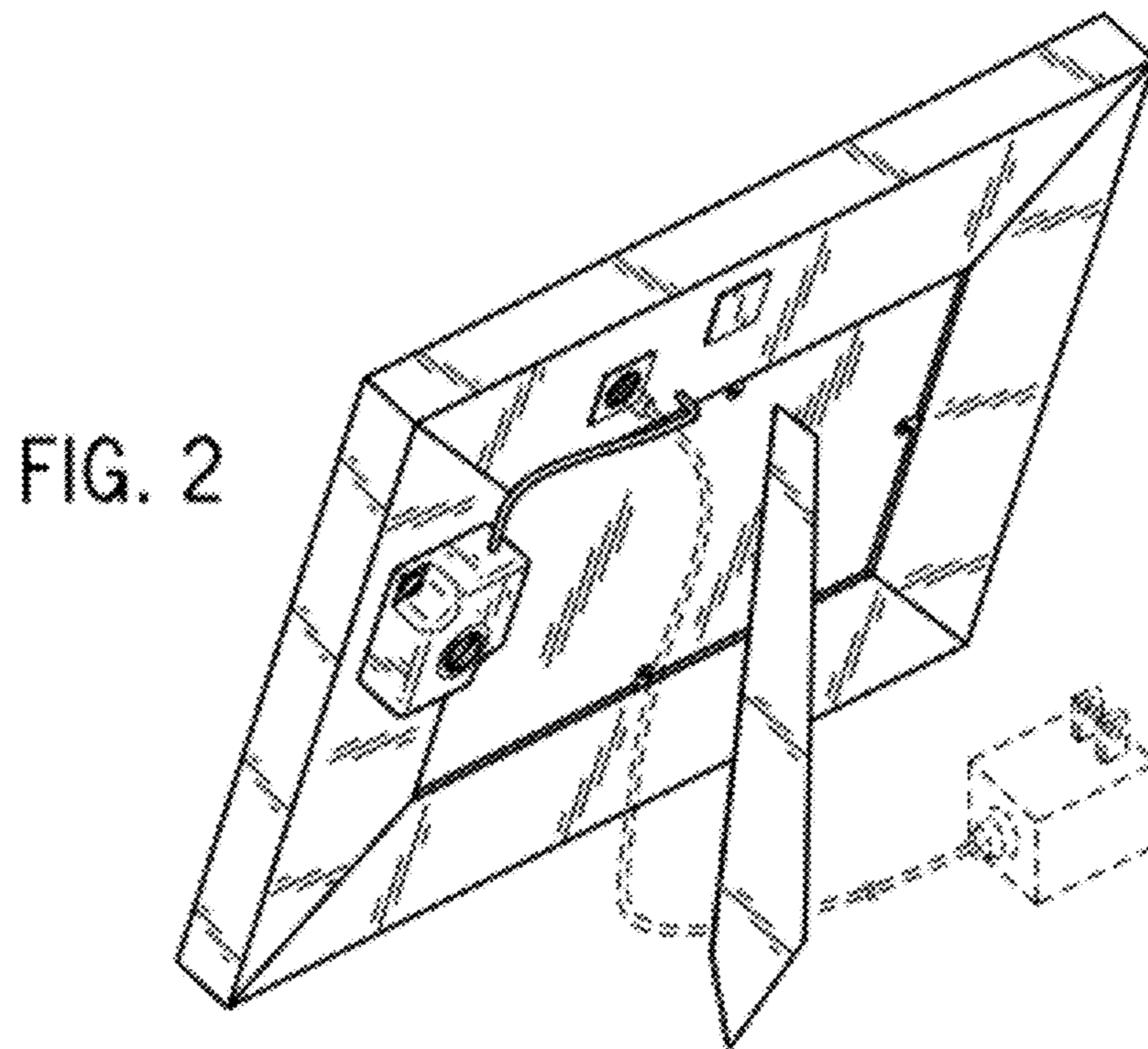


FIG. 2

FIG. 3

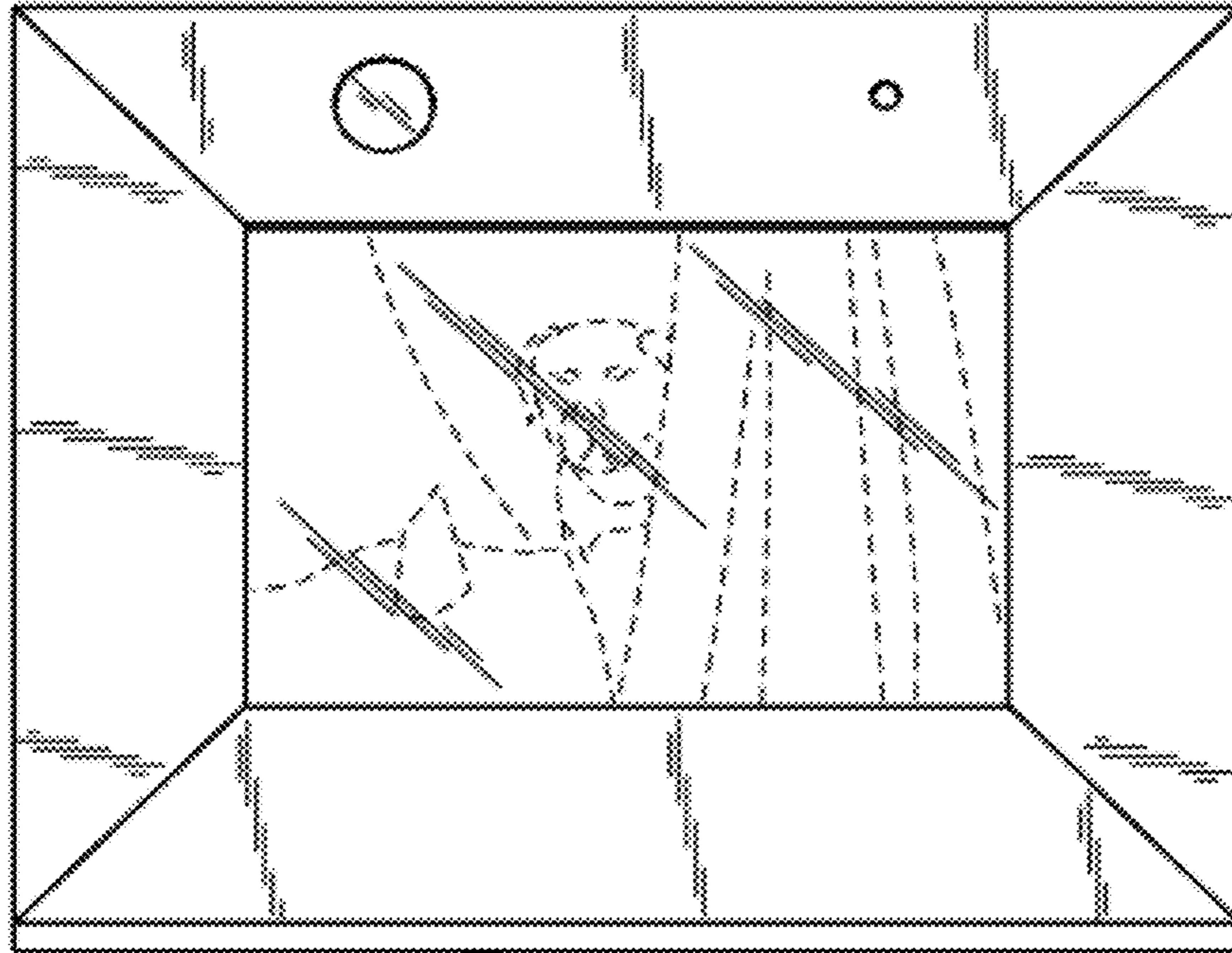


FIG. 4

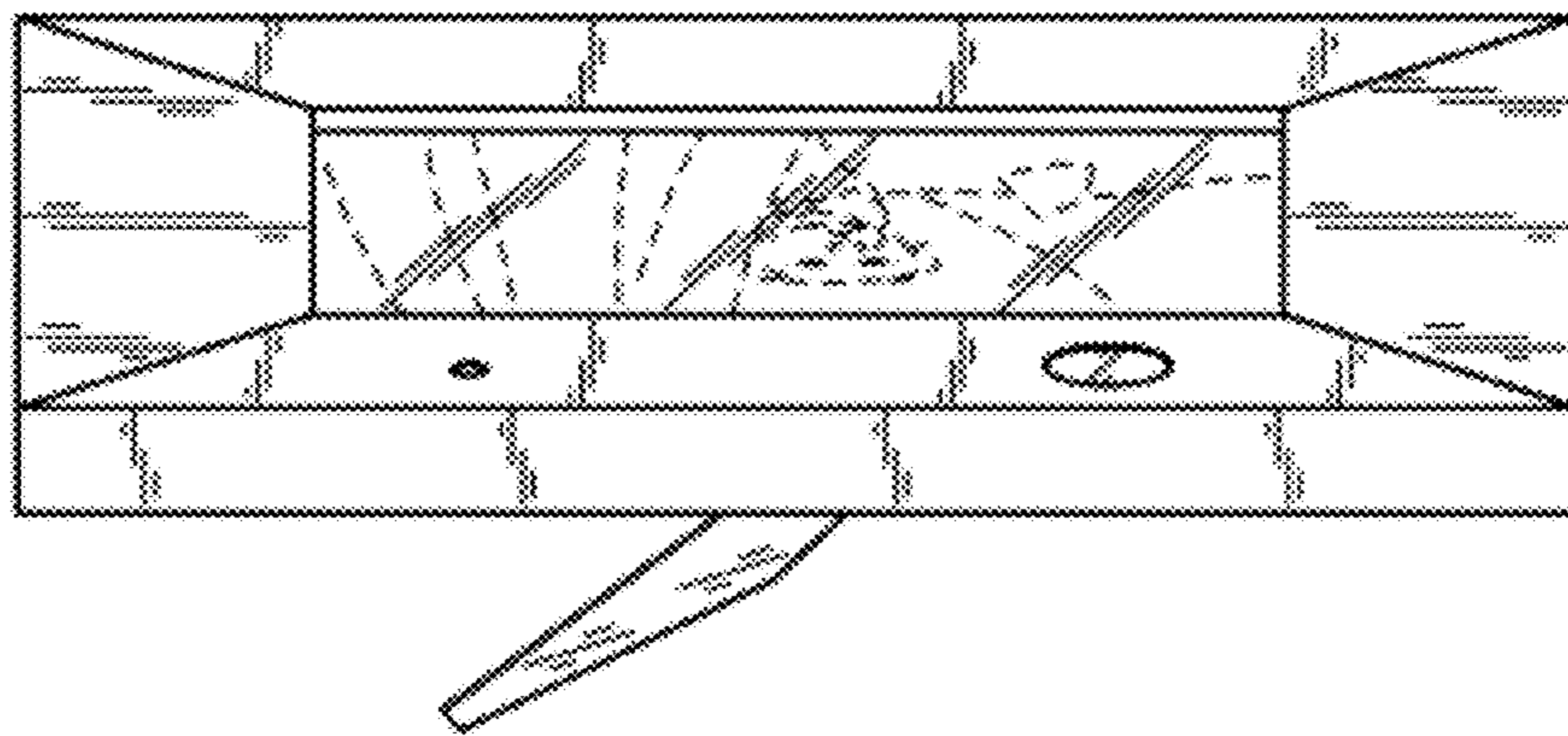
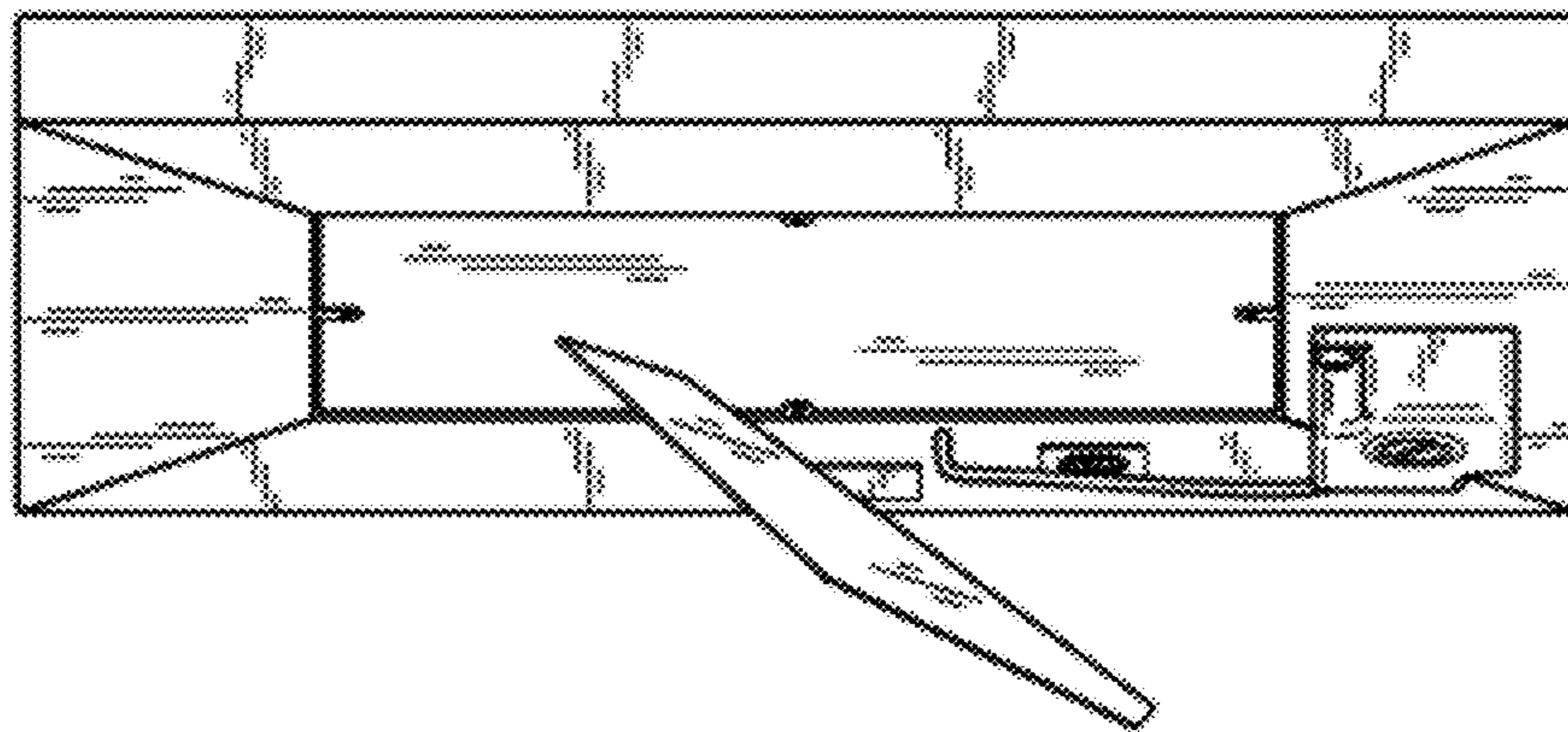


FIG. 5



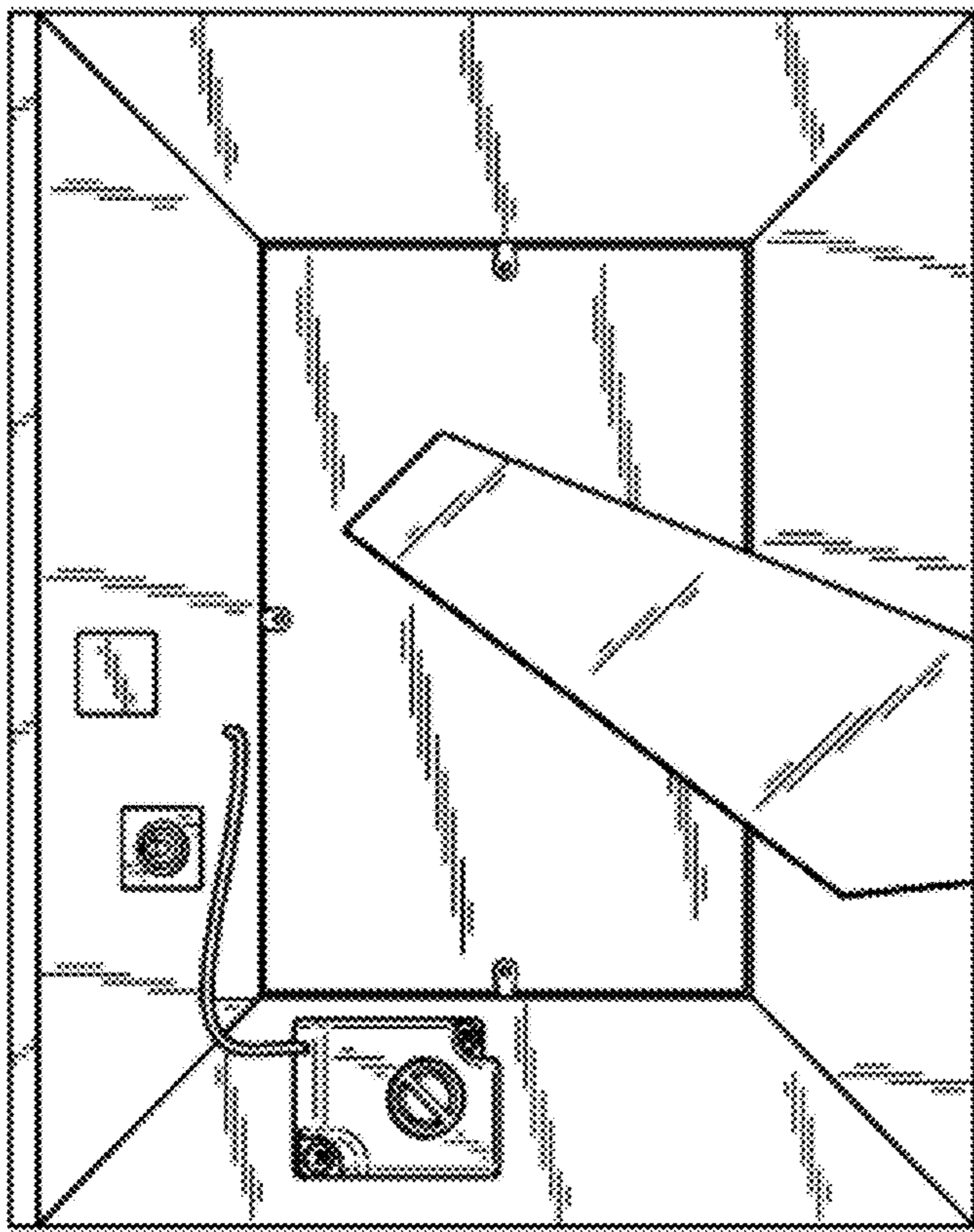


FIG. 7

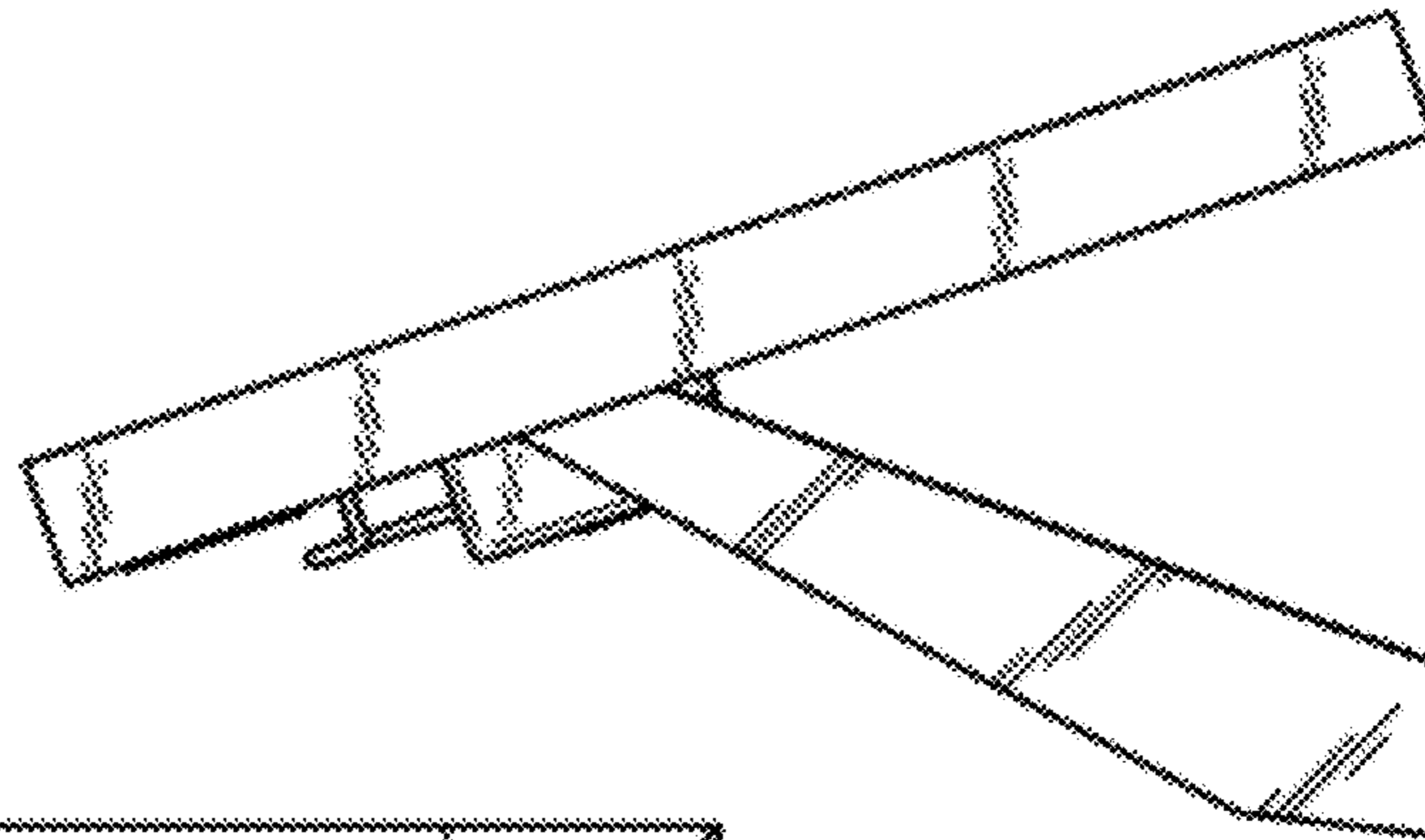


FIG. 8

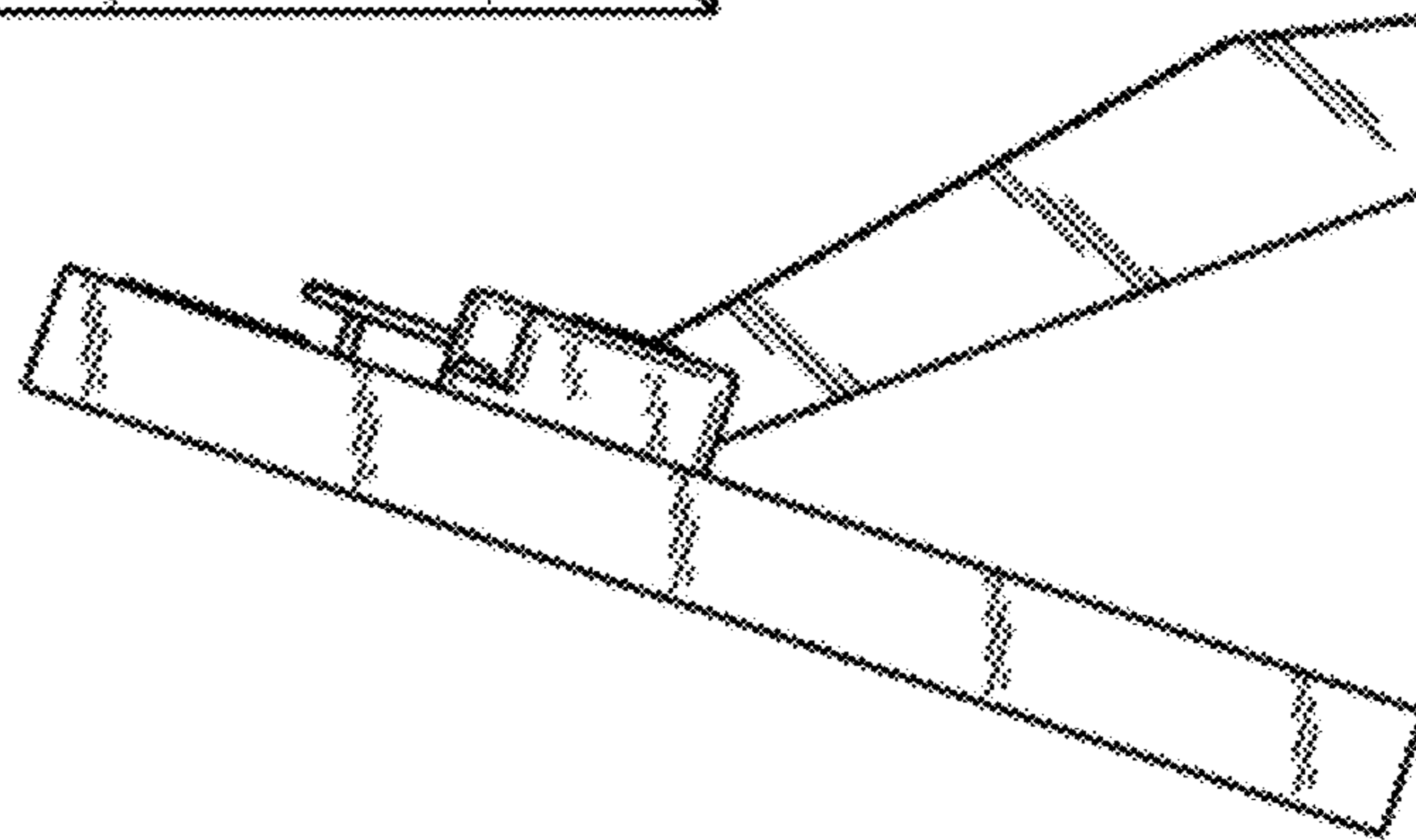


FIG. 6