



US00D677471S

(12) **United States Design Patent**
Pires et al.

(10) **Patent No.:** **US D677,471 S**
(45) **Date of Patent:** **** Mar. 12, 2013**

(54) **COSMETIC APPLICATOR**

FOREIGN PATENT DOCUMENTS

(75) Inventors: **Leo Clifford Pires**, Basking Ridge, NJ (US); **Roger Hwang**, Maple (CA); **Rahul Bose**, New Delhi (IN); **Manisha Kohli**, New Delhi (IN)

JP 2012-120566 A * 6/2012

* cited by examiner

(73) Assignee: **Zen Design Solutions Limited**, Kowloon (HK)

Primary Examiner — Melanie H Tung
Assistant Examiner — Lavone D Tabor

(74) *Attorney, Agent, or Firm* — Patterson & Sheridan, LLP

(**) Term: **14 Years**

(57) **CLAIM**

(21) Appl. No.: **29/424,289**

The ornamental design for a “cosmetic applicator,” as shown and described.

(22) Filed: **Jun. 11, 2012**

(51) **LOC (9) Cl.** **04-02**

(52) **U.S. Cl.** **D4/136**

(58) **Field of Classification Search** D4/133,
D4/134, 136; 15/159.1, 160, 186–188, 207.2;
D28/7, 28, 35, 37; 132/142, 216, 218, 316,
132/317

See application file for complete search history.

DESCRIPTION

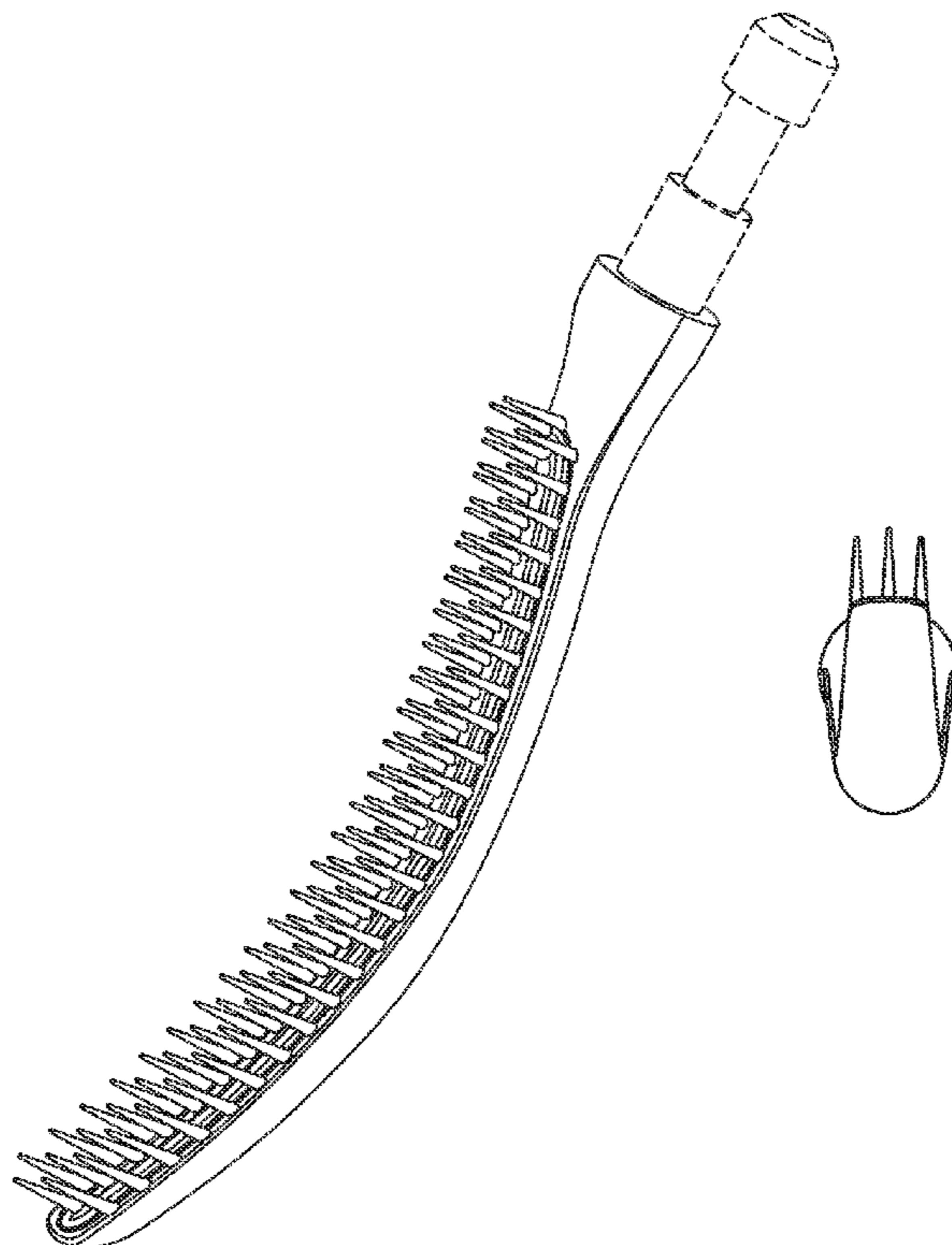
(56) **References Cited**

U.S. PATENT DOCUMENTS

| | | | | | | |
|-----------|----|---|---------|---------------|-------|---------|
| D566,402 | S | * | 4/2008 | Neuner et al. | | D4/136 |
| D570,605 | S | * | 6/2008 | Neuner et al. | | D4/136 |
| D579,210 | S | * | 10/2008 | Neuner et al. | | D4/136 |
| 7,886,397 | B2 | * | 2/2011 | Gueret | | 15/160 |
| D646,490 | S | * | 10/2011 | Pires et al. | | D4/136 |
| 8,042,555 | B2 | * | 10/2011 | Neuner et al. | | 132/218 |

FIG. 1 illustrates an isometric view of a cosmetic applicator according to one embodiment of the invention; FIG. 2 is a front view of the cosmetic applicator of FIG. 1; FIG. 3 is an enlarged cross-sectional view taken along line 3-3 in FIG. 2; FIG. 4 is a rear view of the cosmetic applicator of FIG. 1; FIG. 5 is a left view of the cosmetic applicator of FIG. 1; FIG. 6 is a right view of the cosmetic applicator of FIG. 1; FIG. 7 is a top view of the cosmetic applicator of FIG. 1; and, FIG. 8 is a bottom view of the cosmetic applicator of FIG. 1. The broken line showing of a shank illustrates a portion of the cosmetic applicator that forms no part of the claimed design.

1 Claim, 7 Drawing Sheets



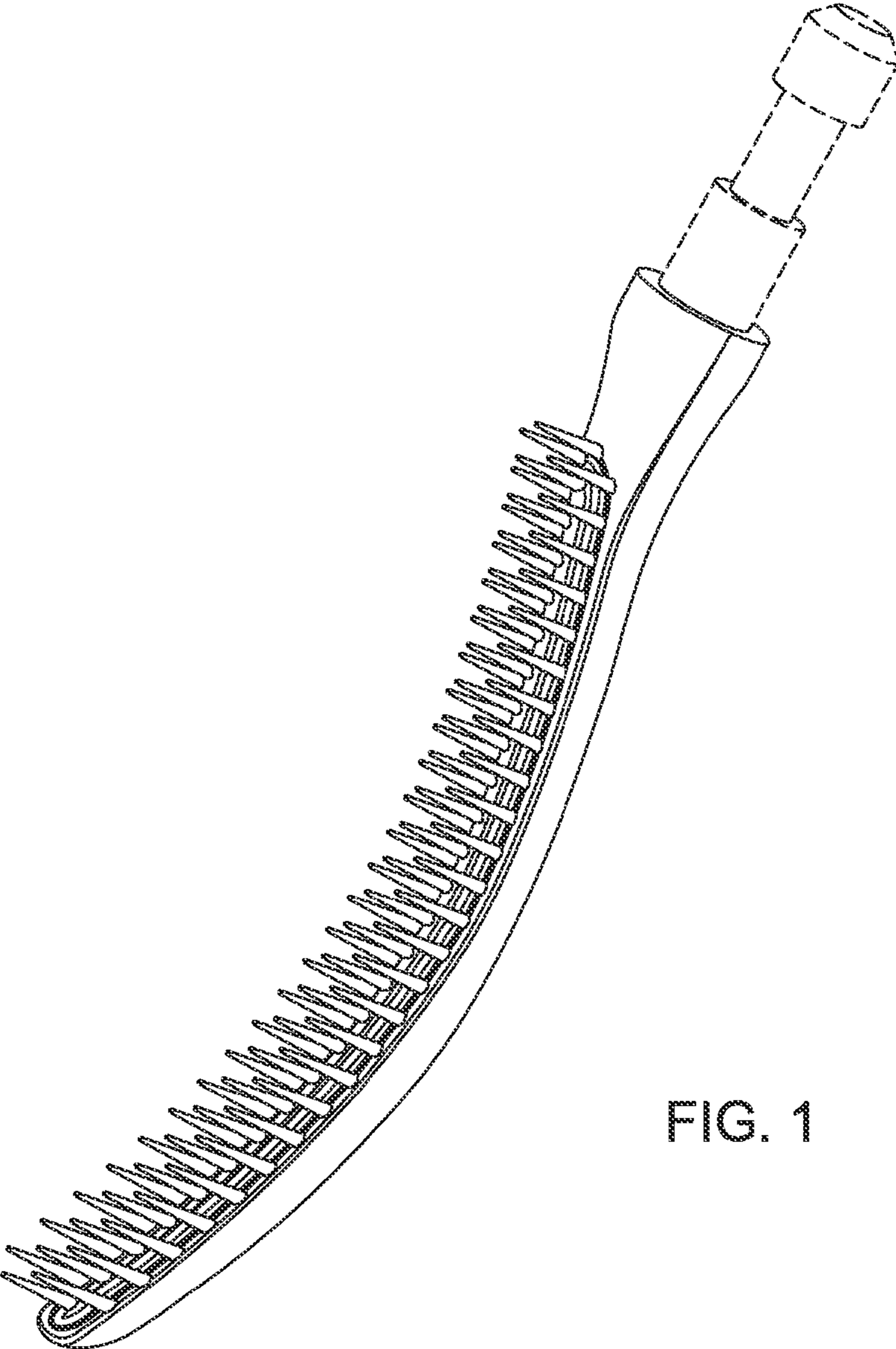


FIG. 1

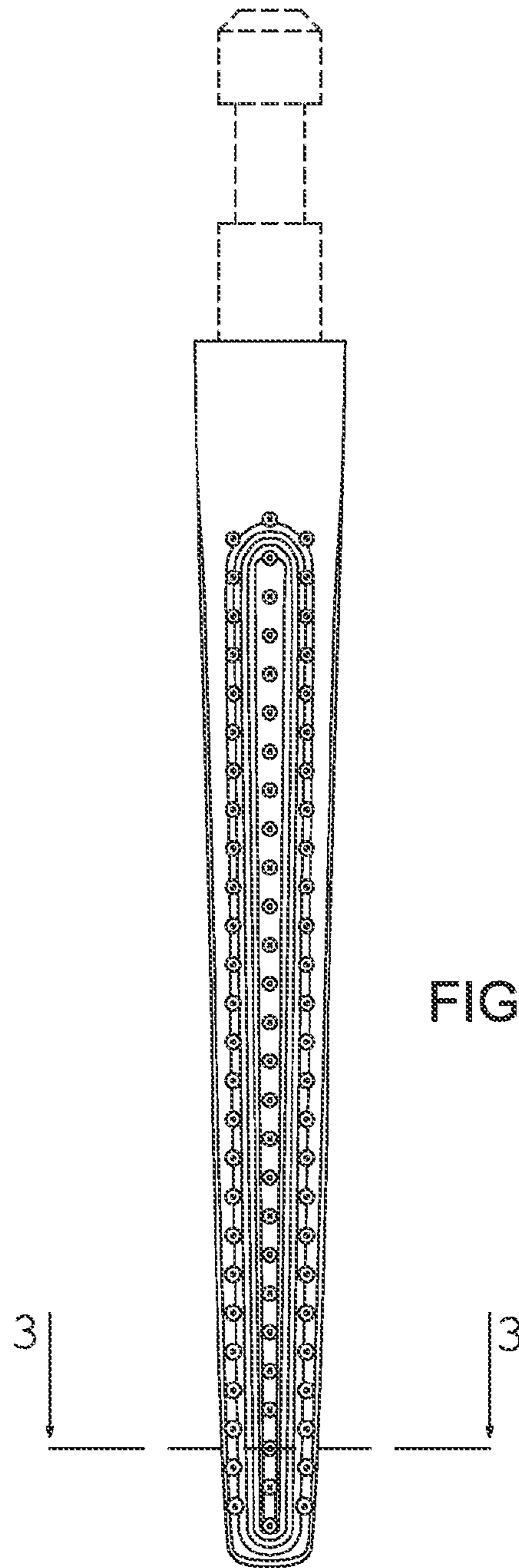


FIG. 2

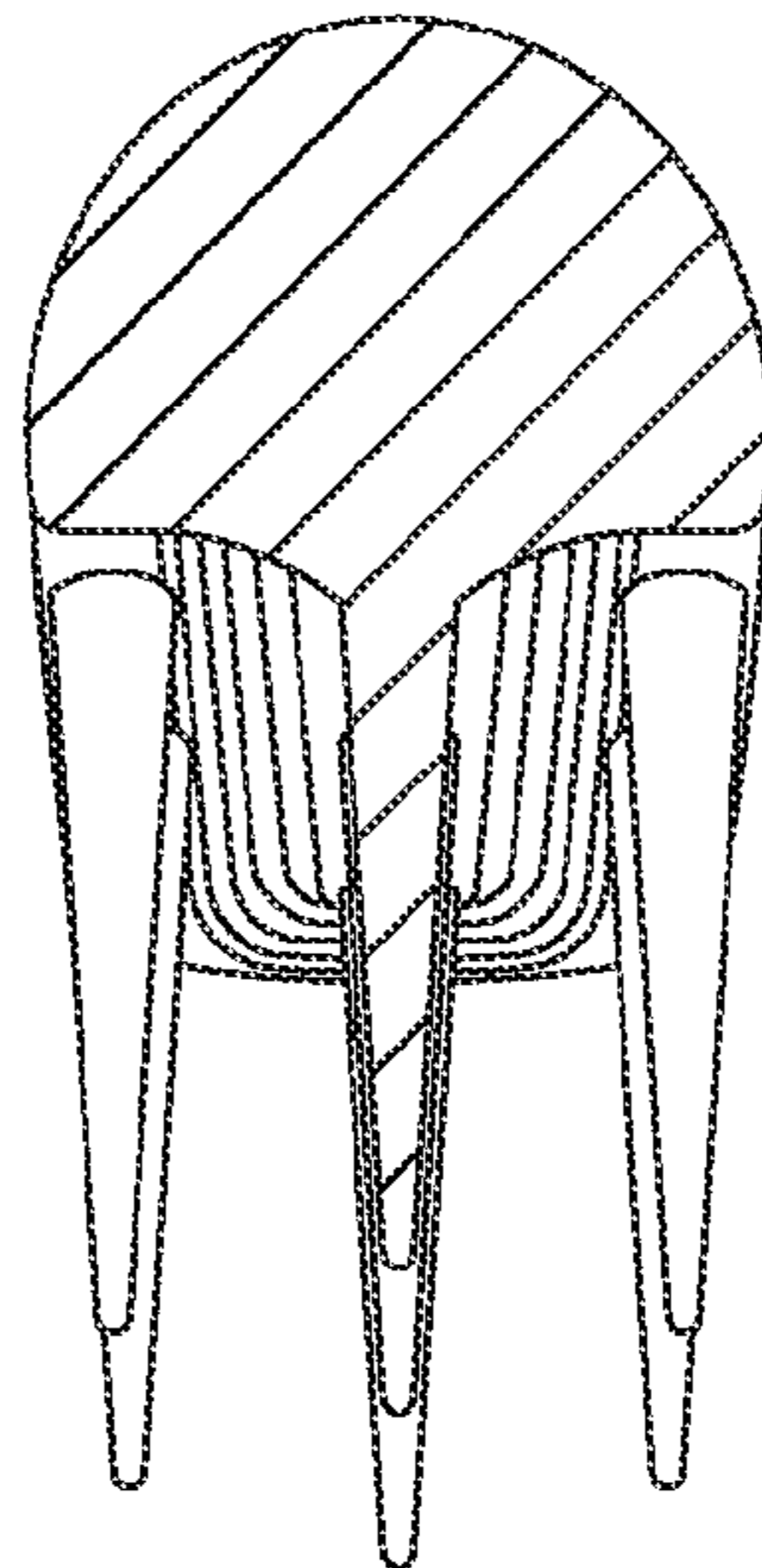


FIG. 3

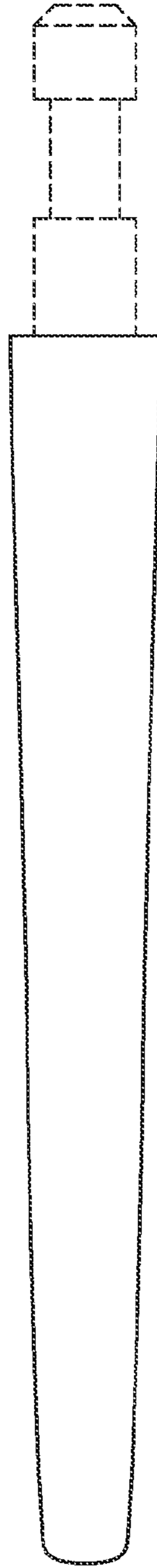


FIG. 4

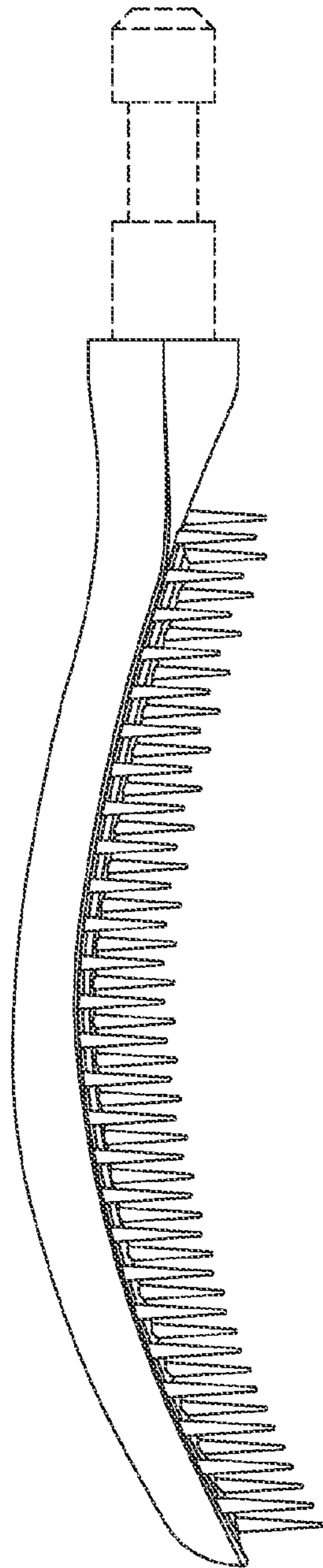


FIG. 5

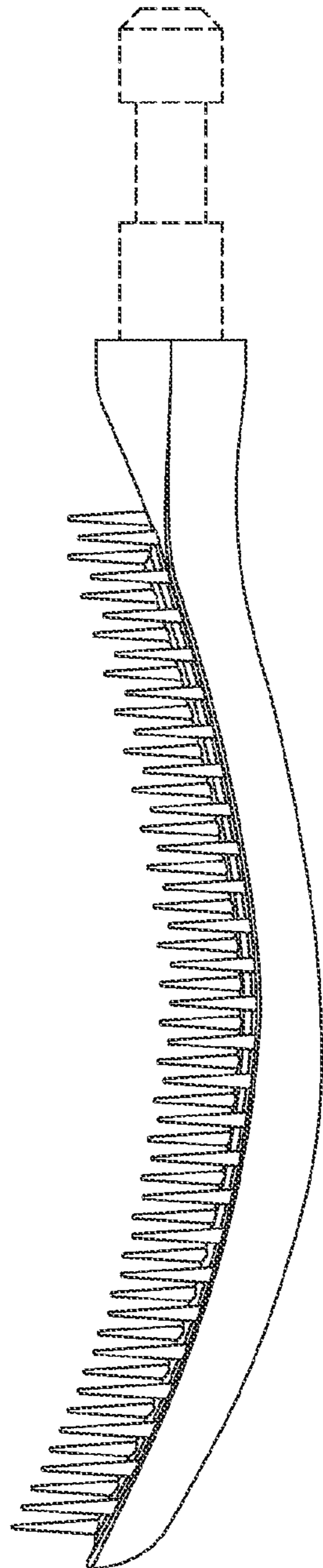


FIG. 6

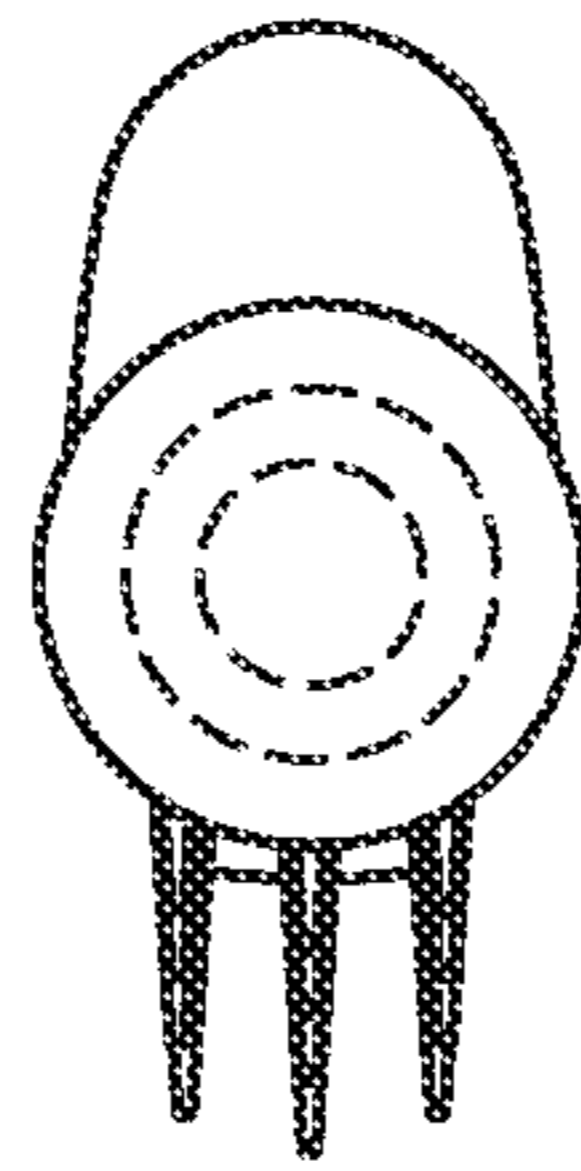


FIG. 7

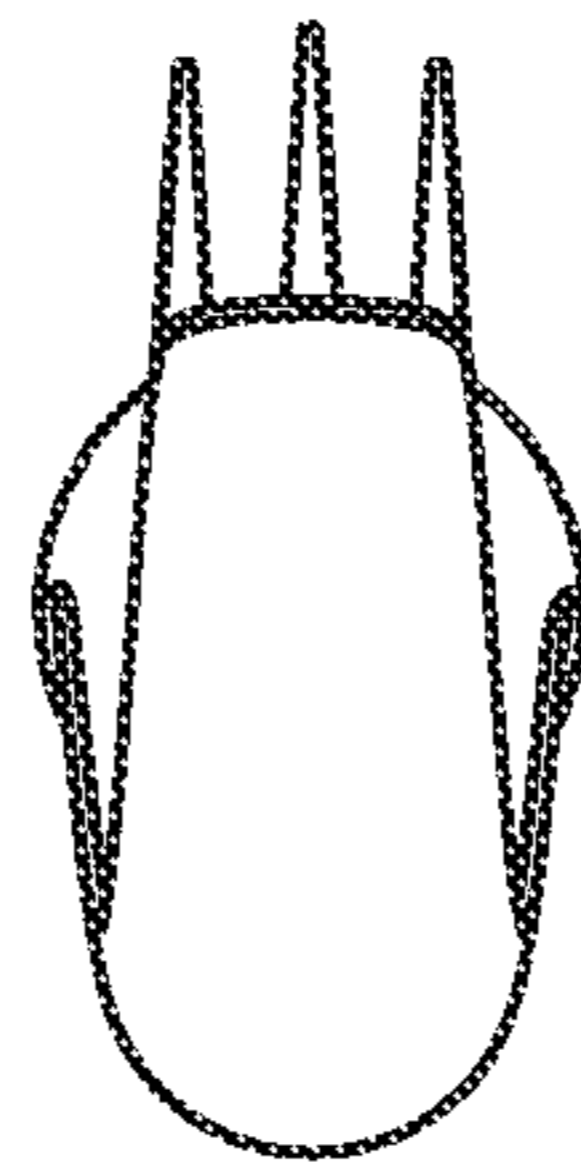


FIG. 8