



US00D677466S

(12) **United States Design Patent**
Passavant

(10) **Patent No.:** **US D677,466 S**
(45) **Date of Patent:** **** Mar. 12, 2013**

(54) **BRIEFCASE**

(76) Inventor: **Jon Passavant**, New York, NY (US)

(**) Term: **14 Years**

(21) Appl. No.: **29/423,385**

(22) Filed: **May 31, 2012**

(51) **LOC (9) Cl.** **03-01**

(52) **U.S. Cl.** **D3/290; D3/900**

(58) **Field of Classification Search** D3/273,
D3/276, 289, 290, 288, 299, 300, 301, 303,
D3/900; 190/100, 124-127, 900-903; 206/320;
383/97

See application file for complete search history.

(56) **References Cited**

U.S. PATENT DOCUMENTS

4,830,153	A	*	5/1989	Saliba	190/102
D524,049	S	*	7/2006	Hughes	D3/289
D529,717	S	*	10/2006	Brancky	D3/285
D634,929	S	*	3/2011	Bizzell	D3/276

D655,084 S * 3/2012 Shor et al. D3/276

* cited by examiner

Primary Examiner — Jennifer Rivard

(74) *Attorney, Agent, or Firm* — Ference & Associates LLC

(57) **CLAIM**

The ornamental design for a briefcase, as shown and described.

DESCRIPTION

FIG. 1 is a perspective view showing my new design for a briefcase;

FIG. 2 is a top plan view thereof;

FIG. 3 is a bottom plan view thereof;

FIG. 4 is a left side elevational view thereof;

FIG. 5 is a right side elevational view thereof;

FIG. 6 is a front elevational view thereof;

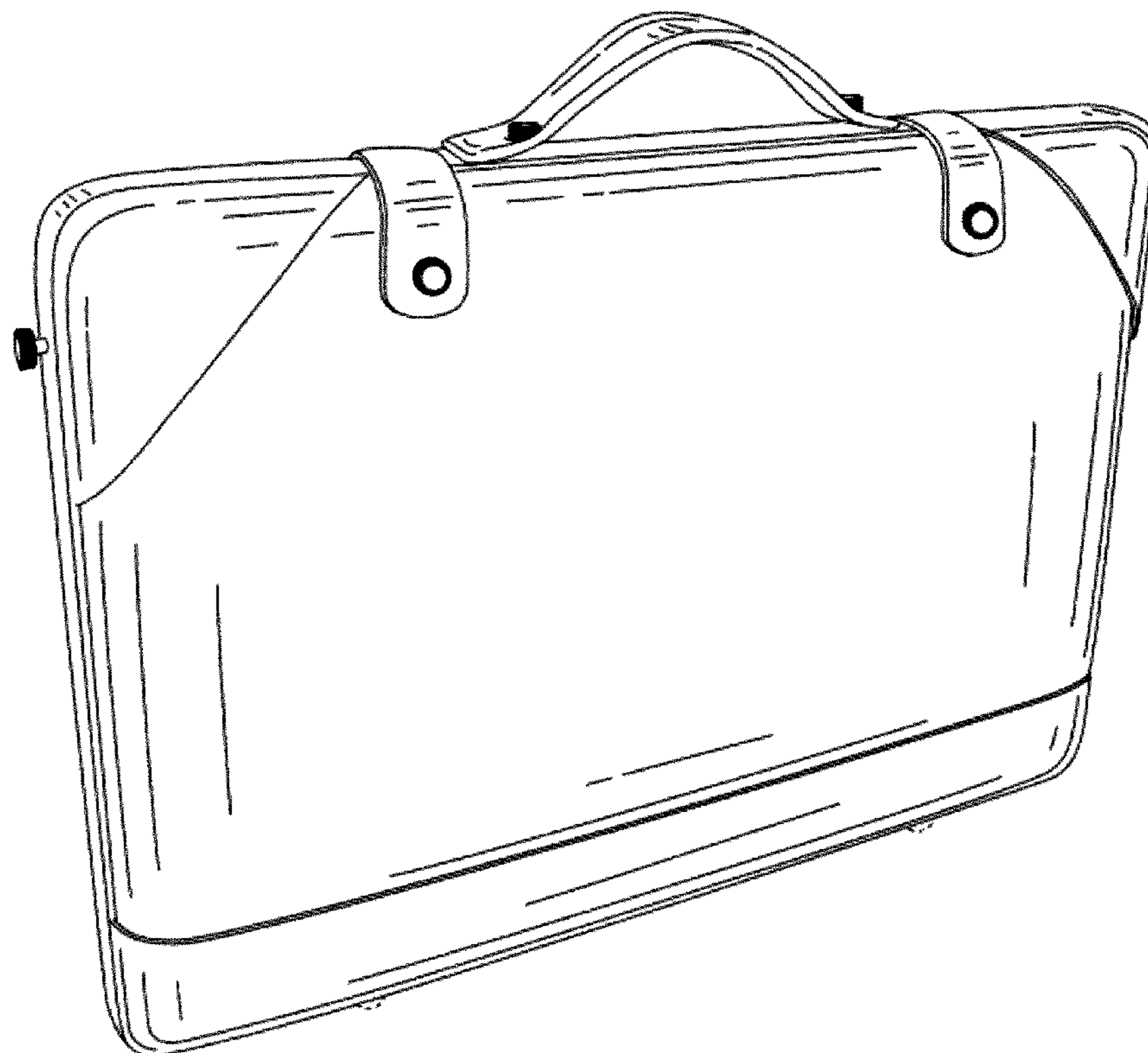
FIG. 7 is a rear elevational view thereof;

FIG. 8 is a perspective view thereof; and,

FIG. 9 is a perspective view thereof in an open position.

The broken lines showing a shoulder strap in FIG. 8 and the interior in FIG. 9 form no part of the claimed design.

1 Claim, 7 Drawing Sheets



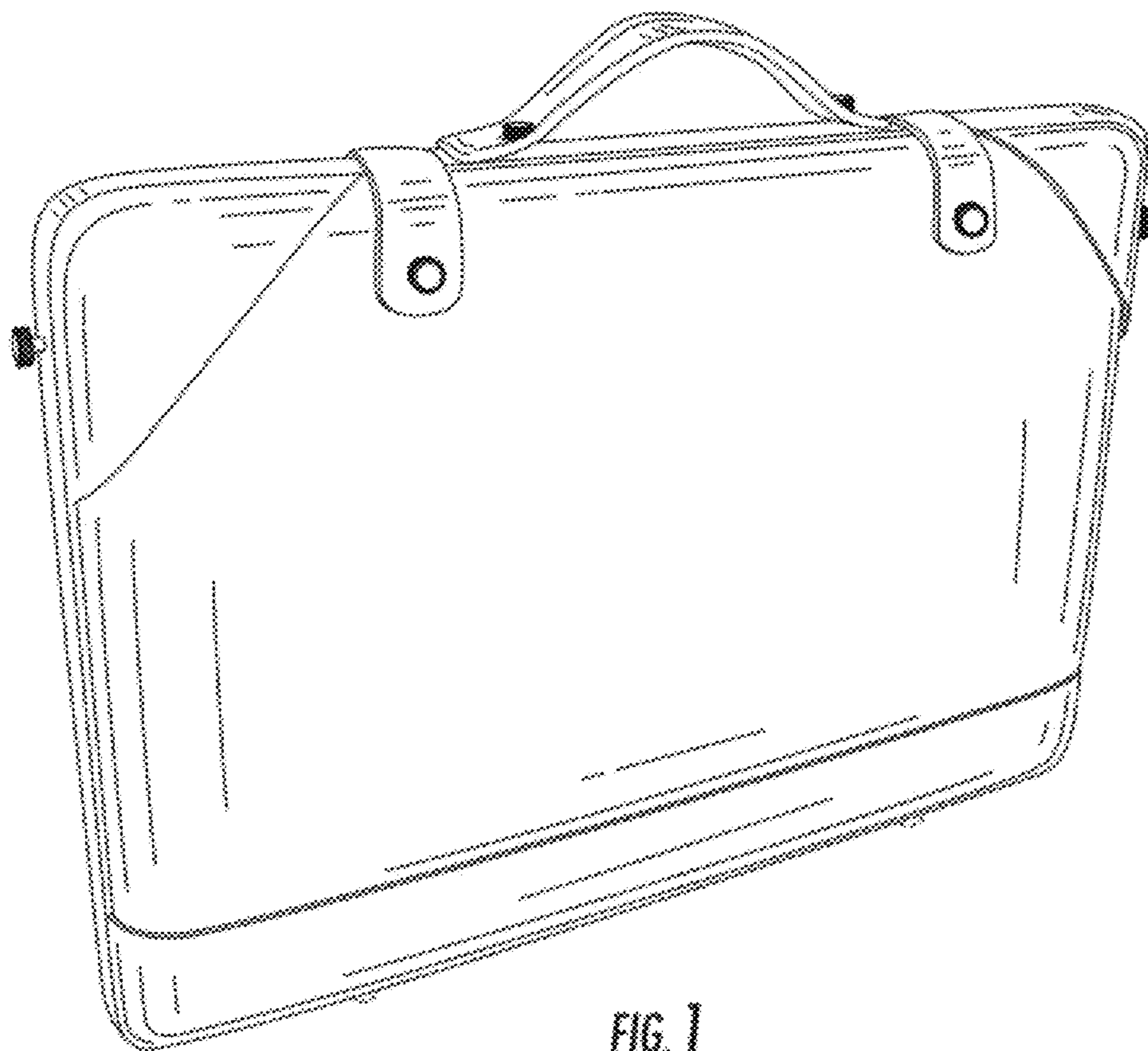


FIG. 1

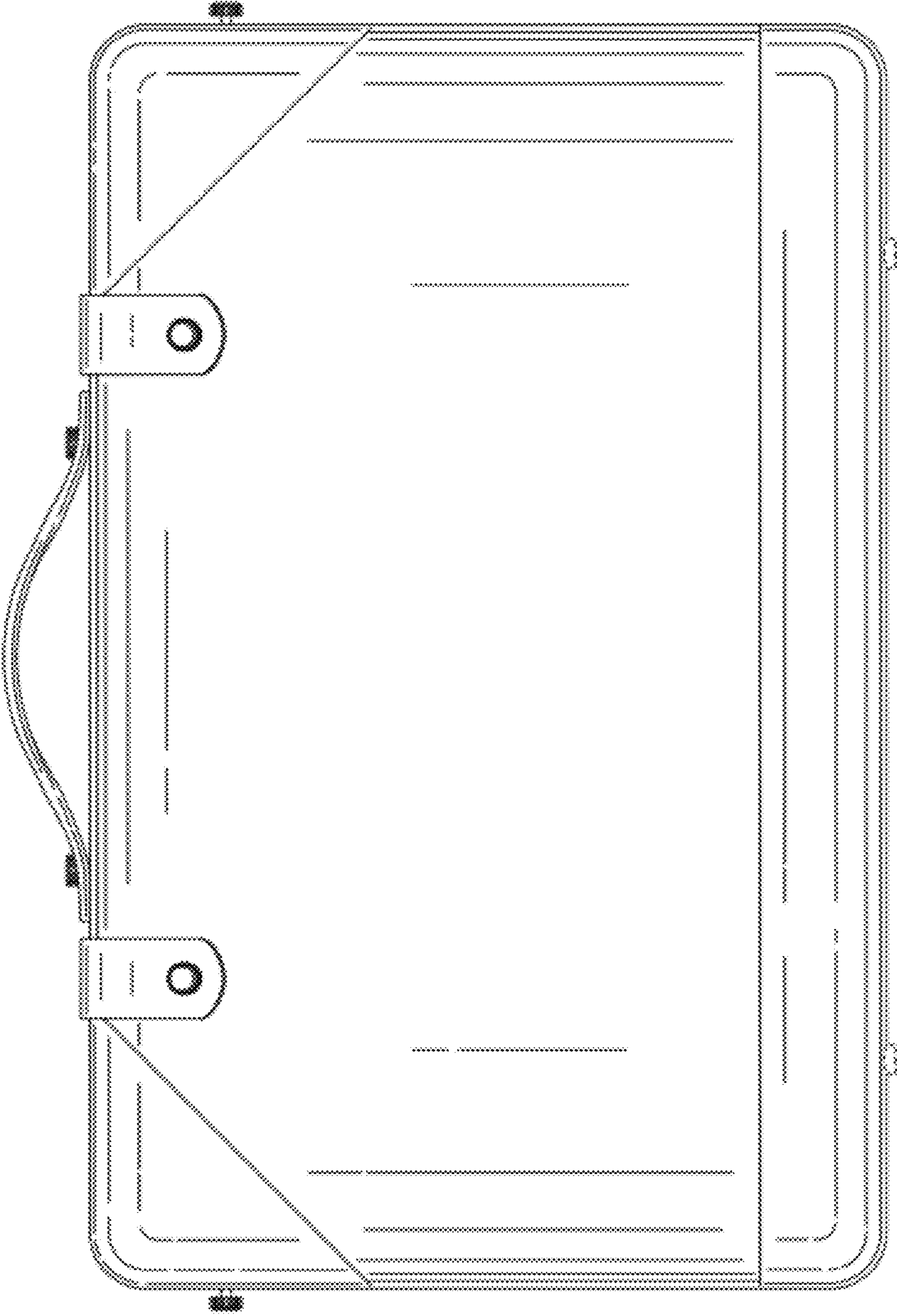


FIG. 2

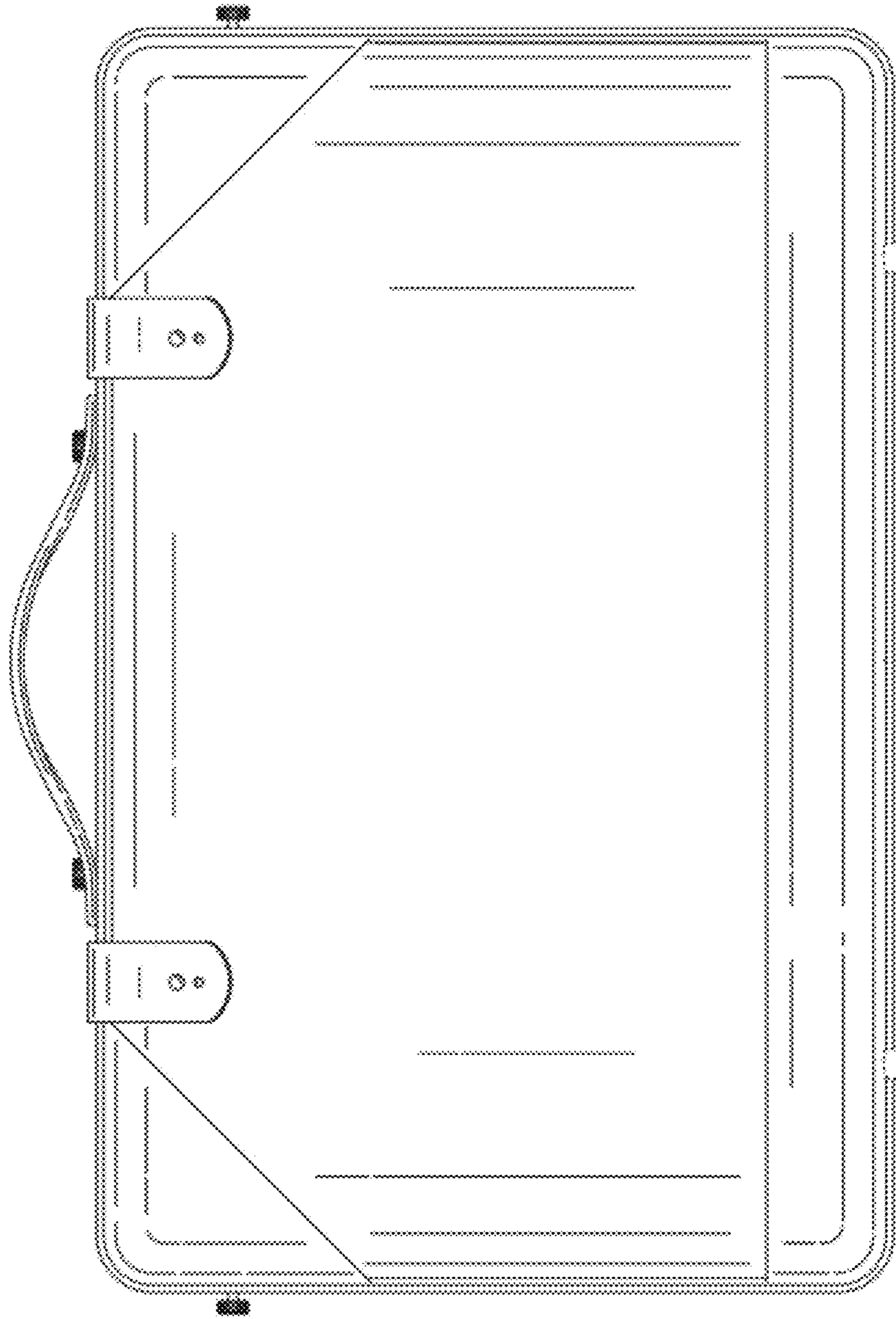


FIG. 3

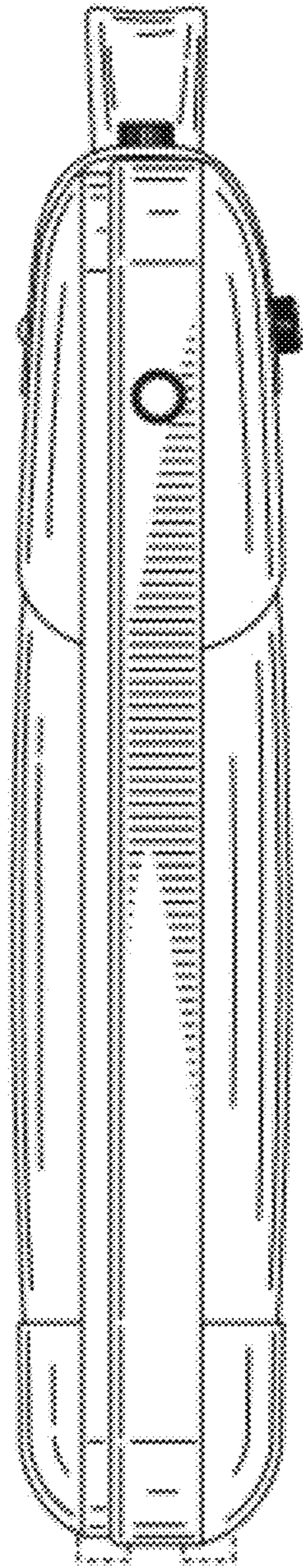


FIG. 4

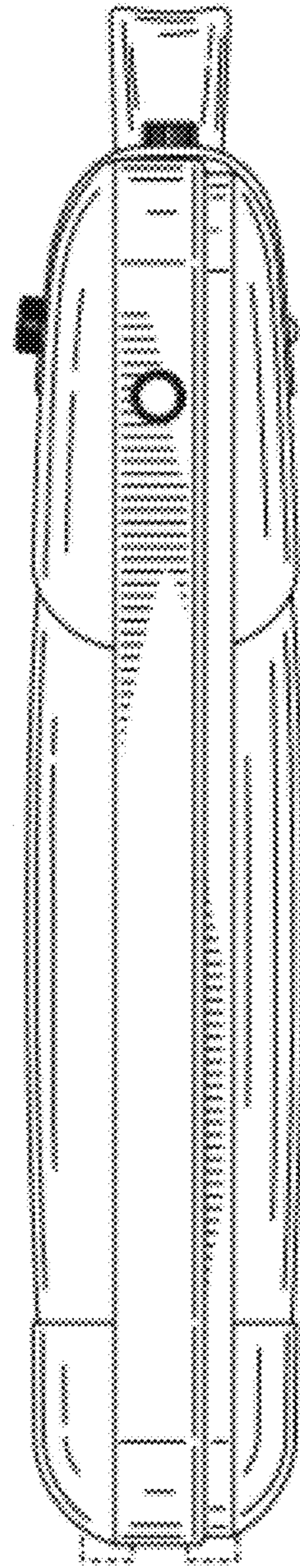


FIG. 5

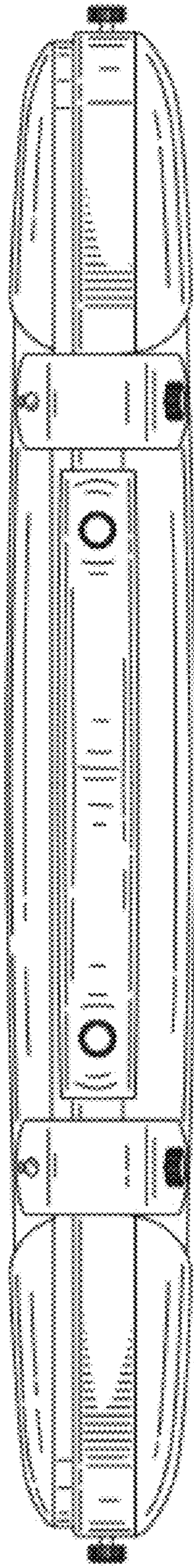


FIG. 6

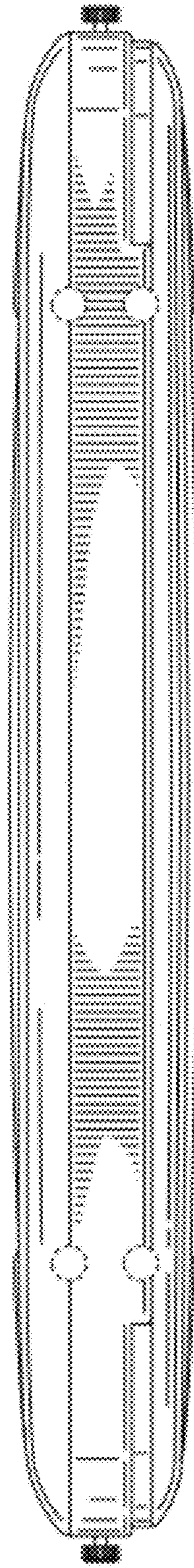


FIG. 7



FIG. 8

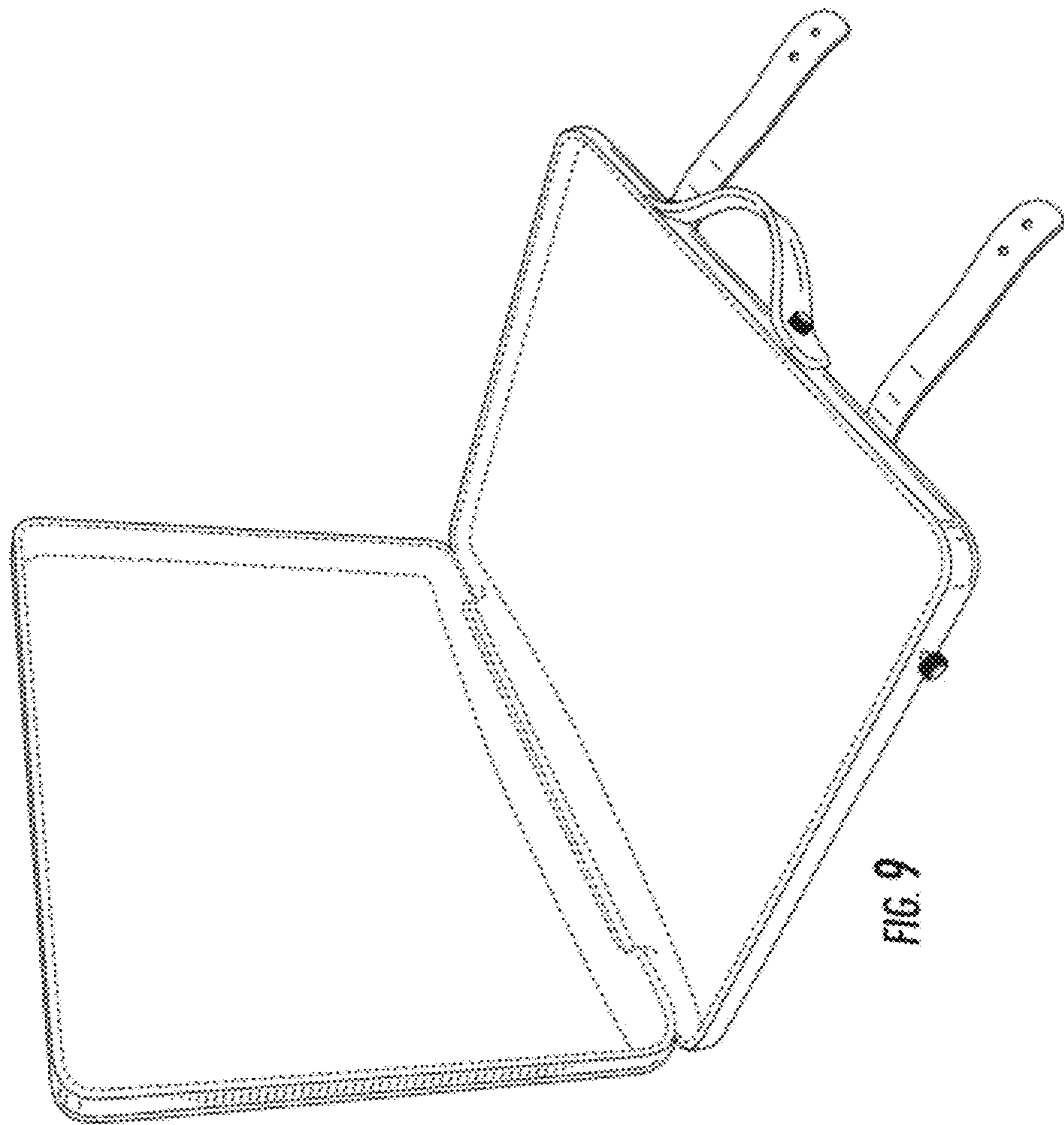


FIG. 9