



US00D677465S

(12) **United States Design Patent**
Cenzano et al.

(10) **Patent No.:** **US D677,465 S**
(45) **Date of Patent:** **** Mar. 12, 2013**

- (54) **CLOSABLE BOX**
- (75) Inventors: **Lauren Cenzano**, East Northport, NY (US); **Doug Mudd**, O'Fallon, MO (US)
- (73) Assignee: **Esselte Corporation**, Melville, NY (US)
- (**) Term: **14 Years**
- (21) Appl. No.: **29/429,237**
- (22) Filed: **Aug. 8, 2012**

D499,883 S *	12/2004	Perella et al.	D3/276
D500,922 S *	1/2005	Perella et al.	D3/273
D501,083 S	1/2005	Perella et al.		
D503,024 S	3/2005	Perella et al.		
D503,503 S *	3/2005	Perella et al.	D99/28
D504,990 S	5/2005	Perella et al.		
D506,061 S	6/2005	McGibben		
D509,357 S	9/2005	Perella et al.		
D511,035 S	10/2005	Perella et al.		
D584,511 S	1/2009	Decarlo et al.		
D619,808 S *	7/2010	Huang	D3/276
D619,809 S *	7/2010	Huang	D3/276
D619,810 S *	7/2010	Huang	D3/276
7,774,961 B2	8/2010	Bopp		

Related U.S. Application Data

- (60) Division of application No. 29/398,380, filed on Jul. 29, 2011, now Pat. No. Des. 668,051, which is a continuation-in-part of application No. 29/384,490, filed on Jan. 31, 2011, now Pat. No. Des. 668,047.
- (51) **LOC (9) Cl.** **03-01**
- (52) **U.S. Cl.** **D3/276; D3/294; D3/900**
- (58) **Field of Classification Search** D3/272, D3/273, 292, 294-297, 900, 276, 318, 321, D3/323, 322; 190/19, 23, 37, 40, 900; D99/28
See application file for complete search history.

* cited by examiner

Primary Examiner — Jennifer Rivard
(74) *Attorney, Agent, or Firm* — Dorsey & Whitney LLP

(57) **CLAIM**
The ornamental design for a closable box, as shown and described.

DESCRIPTION

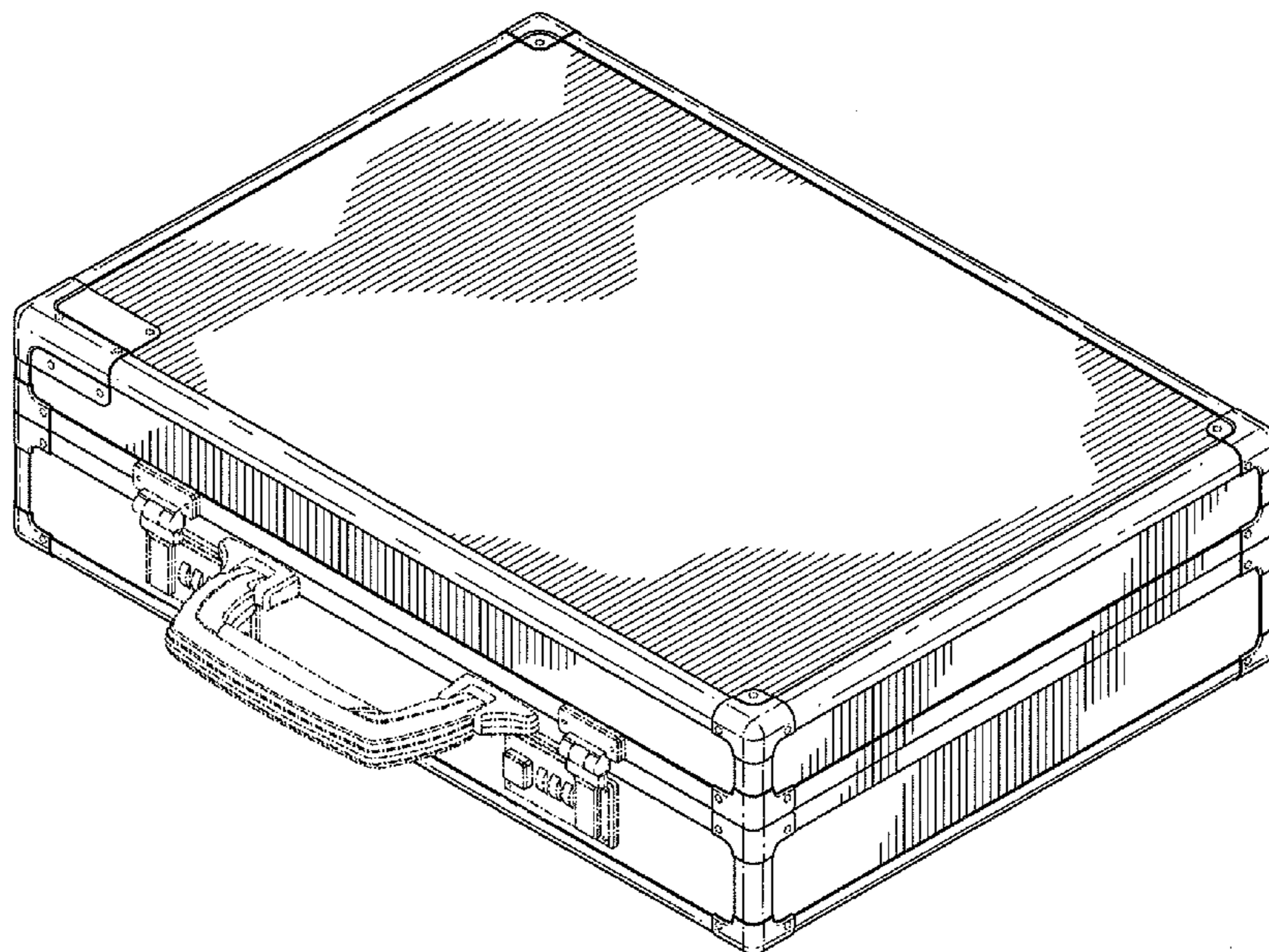
FIG. 1 is a perspective view of an exemplary embodiment of a closable box;
FIG. 2 is a front view of the closable box shown in FIG. 1;
FIG. 3 is a back view of the closable box shown in FIG. 1;
FIG. 4 is a left side view of the closable box shown in FIG. 1;
FIG. 5 is a right view of the closable box shown in FIG. 1;
FIG. 6 is a top view of the closable box shown in FIG. 1; and,
FIG. 7 is a bottom view of the closable box shown in FIG. 1.
The phantom lines are provided for illustrative purposes only, and form no part of the claimed design.

(56) **References Cited**

U.S. PATENT DOCUMENTS

1,379,438 A	5/1921	Billings		
3,191,765 A	6/1965	Dozier		
D233,487 S *	10/1974	Weir	D3/290
D288,863 S *	3/1987	Vuitton	D3/289
D415,614 S *	10/1999	Akaike et al.	D3/276
D490,206 S	5/2004	Perella et al.		
D493,936 S *	8/2004	Perella et al.	D99/28
D496,791 S	10/2004	Perella et al.		

1 Claim, 5 Drawing Sheets



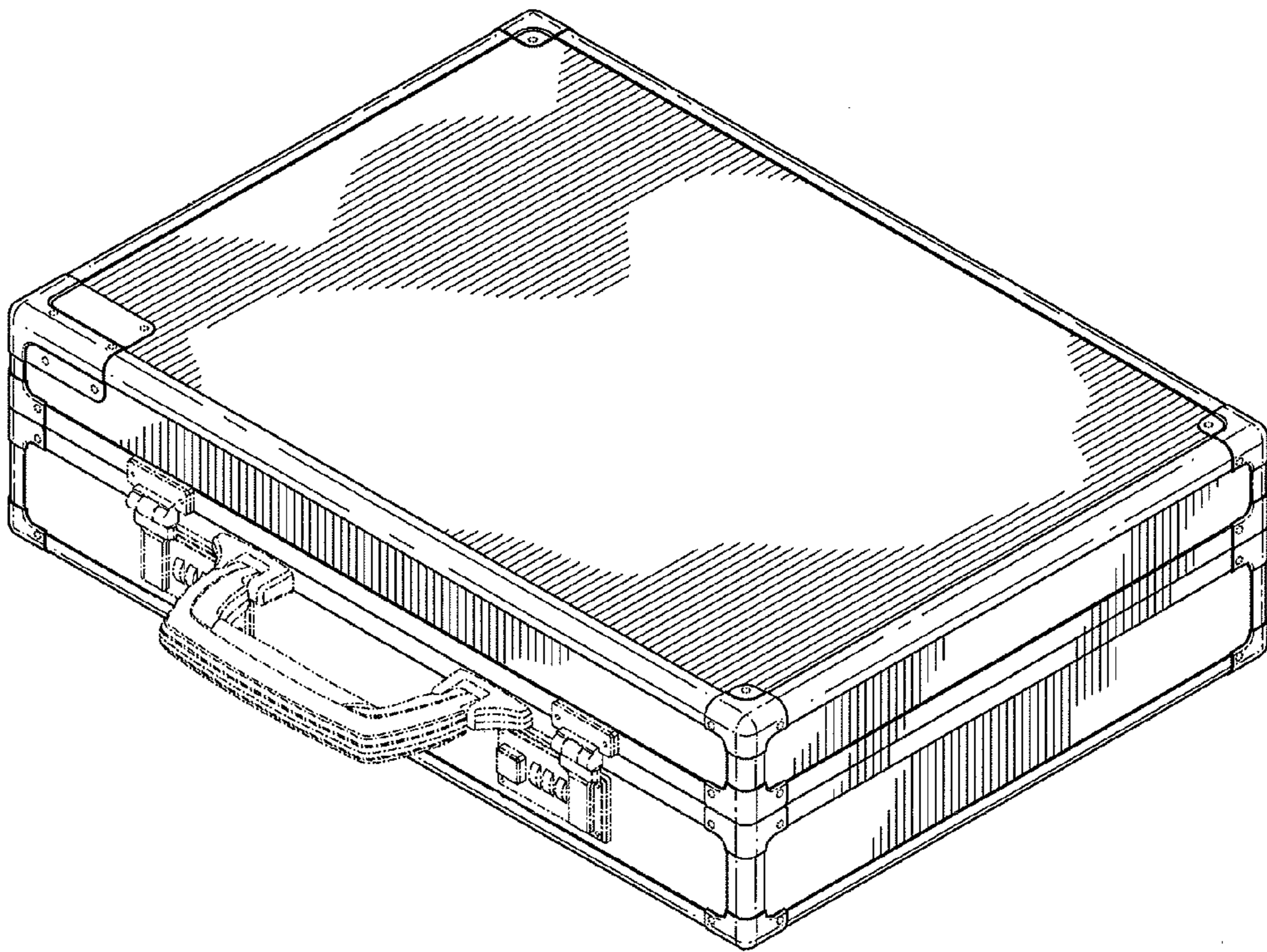


FIG. 1

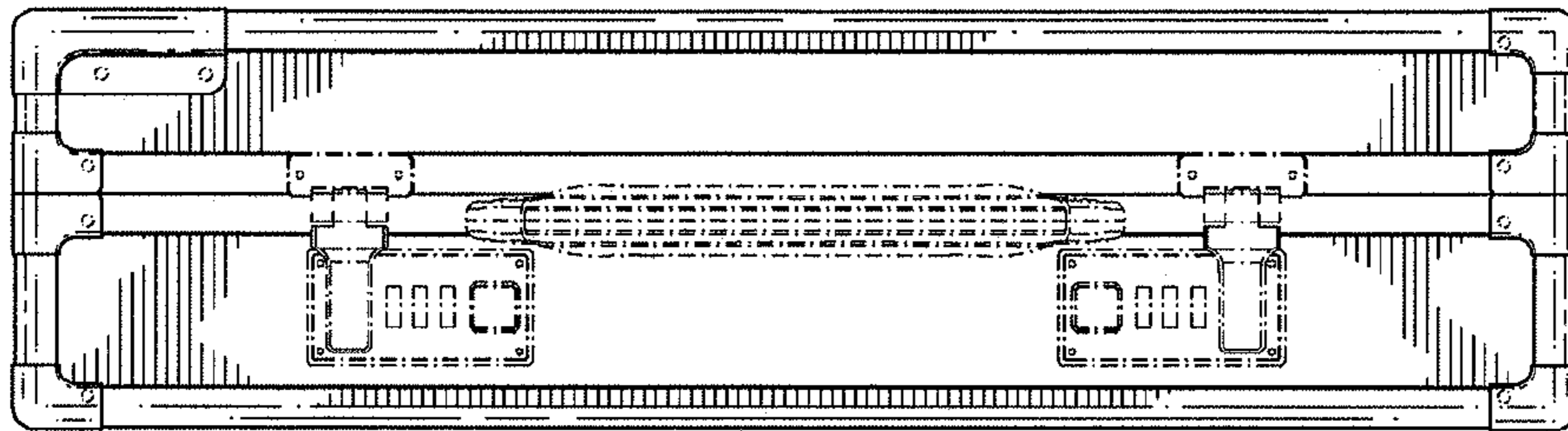


FIG. 2

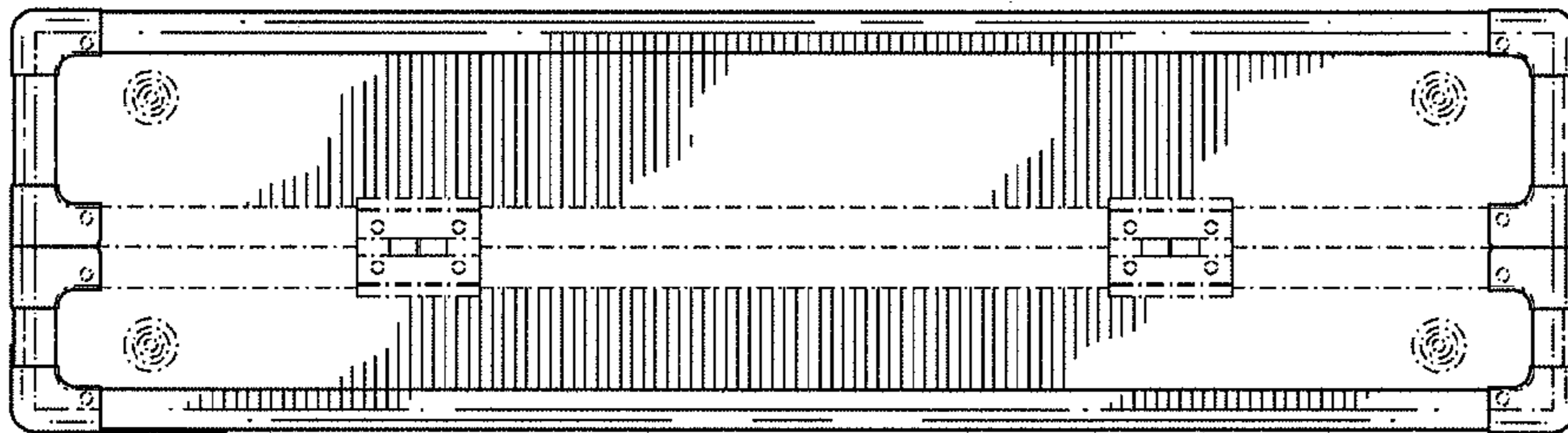


FIG. 3

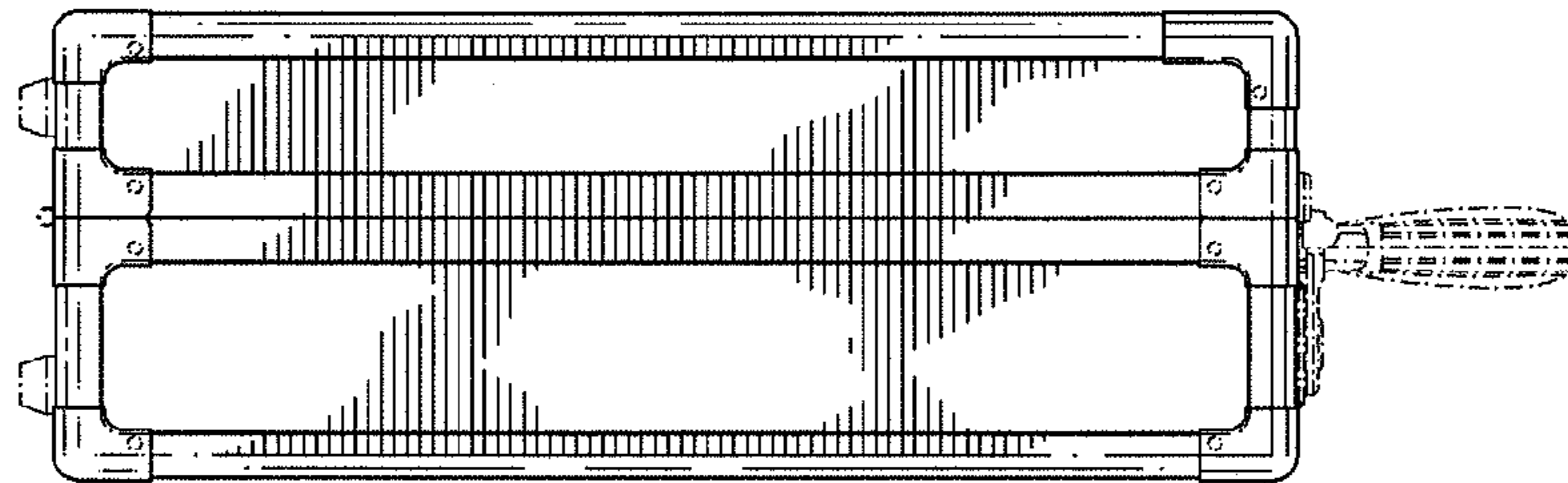


FIG. 4

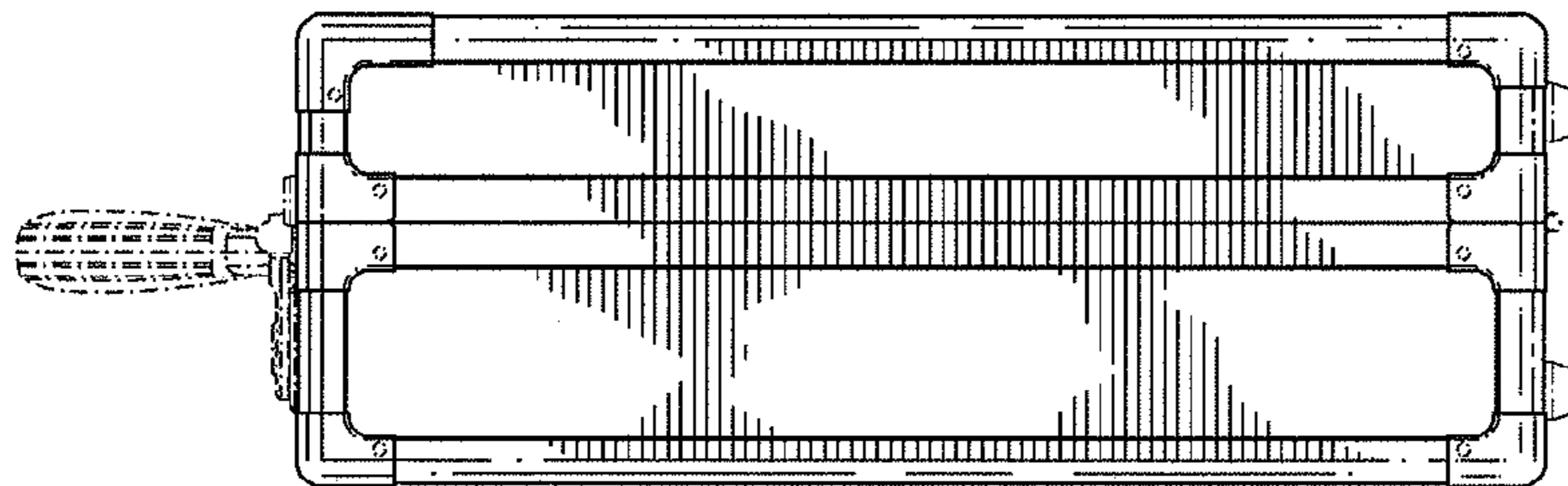


FIG. 5

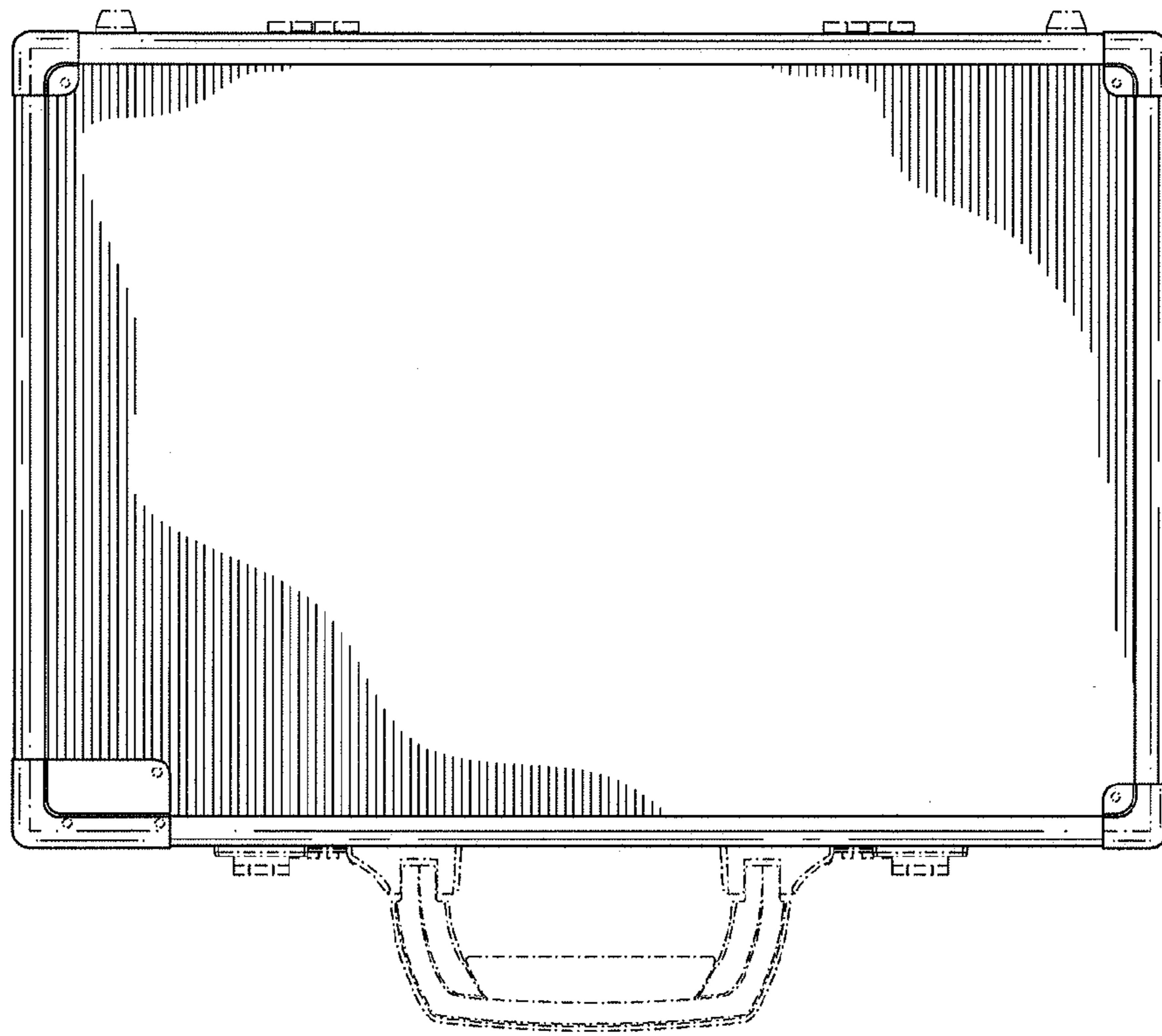


FIG. 6

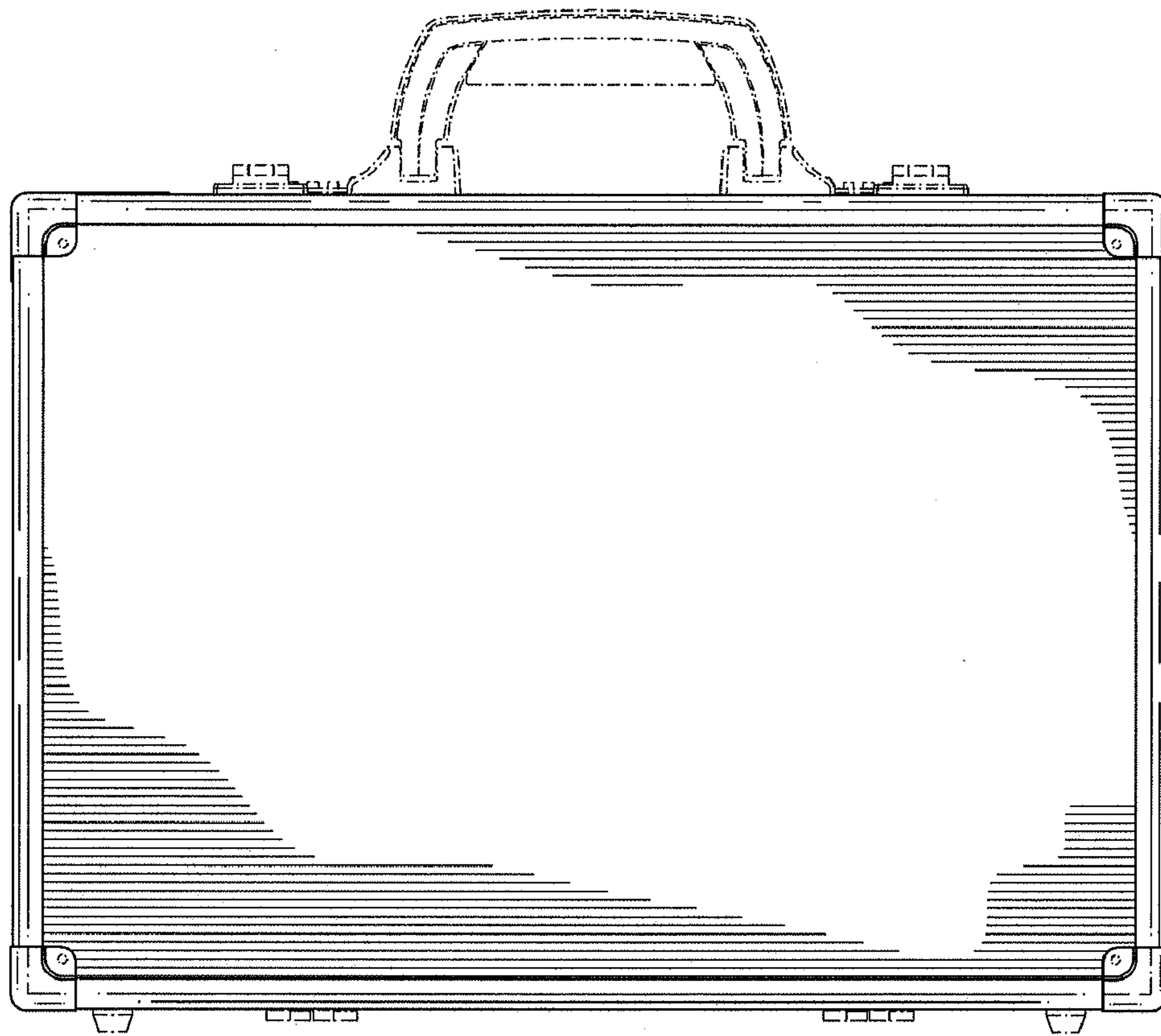


FIG. 7