



US00D677464S

(12) **United States Design Patent**
Taylor

(10) **Patent No.:** **US D677,464 S**

(45) **Date of Patent:** **** Mar. 12, 2013**

(54) **STORAGE CASE**

(75) Inventor: **Curtis Patrick Taylor**, Chagrin Falls, OH (US)

(73) Assignee: **Ideastream Consumer Products, LLC**, Cleveland, OH (US)

(**) Term: **14 Years**

(21) Appl. No.: **29/407,315**

(22) Filed: **Nov. 28, 2011**

Related U.S. Application Data

(63) Continuation of application No. 29/339,588, filed on Jul. 2, 2009, which is a continuation of application No. 29/270,921, filed on Jan. 5, 2007, now abandoned.

(51) **LOC (9) Cl.** **03-01**

(52) **U.S. Cl.** **D3/273**

(58) **Field of Classification Search** D3/201, D3/206, 272, 273, 276, 277, 292, 294, 900; D5/47; D19/75, 77, 86, 99, 100; 206/214, 206/371; 190/19, 25, 37, 39, 40, 100, 115, 190/127, 900

See application file for complete search history.

(56) **References Cited**

U.S. PATENT DOCUMENTS

1,093,484	A *	4/1914	Schwarzrock	190/126
1,314,392	A *	8/1919	Glamzo	220/849
D129,108	S *	8/1941	Sprague	D3/268
D144,278	S *	3/1946	Wohl	D27/189
3,071,220	A *	1/1963	O'Neil	190/127

(Continued)

Primary Examiner — Elizabeth Albert

(74) *Attorney, Agent, or Firm* — Calfee, Halter & Griswold LLP

(57) **CLAIM**

I claim the ornamental design for a storage case, as shown and described, except as disclaimed herein.

DESCRIPTION

FIG. 1 is a front view of a first embodiment of the storage case.

FIG. 2 is a rear view thereof.

FIG. 3 is a top view thereof.

FIG. 4 is a bottom view thereof.

FIG. 5 is a left view thereof, for which the right view would be a mirror image thereof.

FIG. 6 is a top/rear/right perspective view thereof.

FIG. 7 is a bottom/front/left perspective view thereof.

FIG. 8 is a front view of a second embodiment of the storage case.

FIG. 9 is a rear view thereof.

FIG. 10 is a top view thereof.

FIG. 11 is a bottom view thereof.

FIG. 12 is a left view thereof, for which the right view would be a mirror image thereof.

FIG. 13 is a top/rear/right perspective view thereof.

FIG. 14 is a bottom/front/left perspective view thereof.

FIG. 15 is a front view of a third embodiment of the storage case.

FIG. 16 is a rear view thereof.

FIG. 17 is a top view thereof.

FIG. 18 is a bottom view thereof.

FIG. 19 is a left view thereof, for which the right view would be a mirror image thereof.

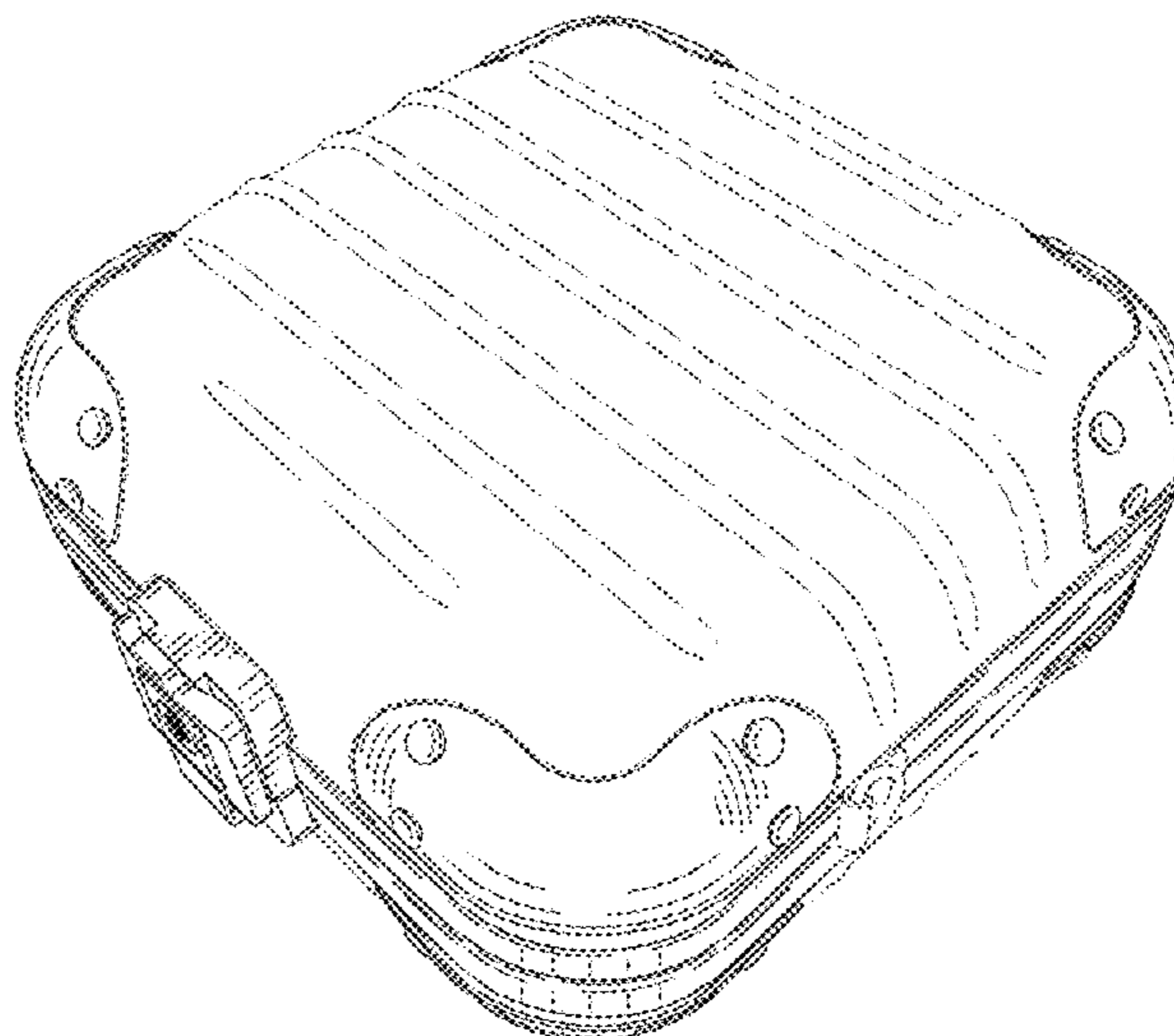
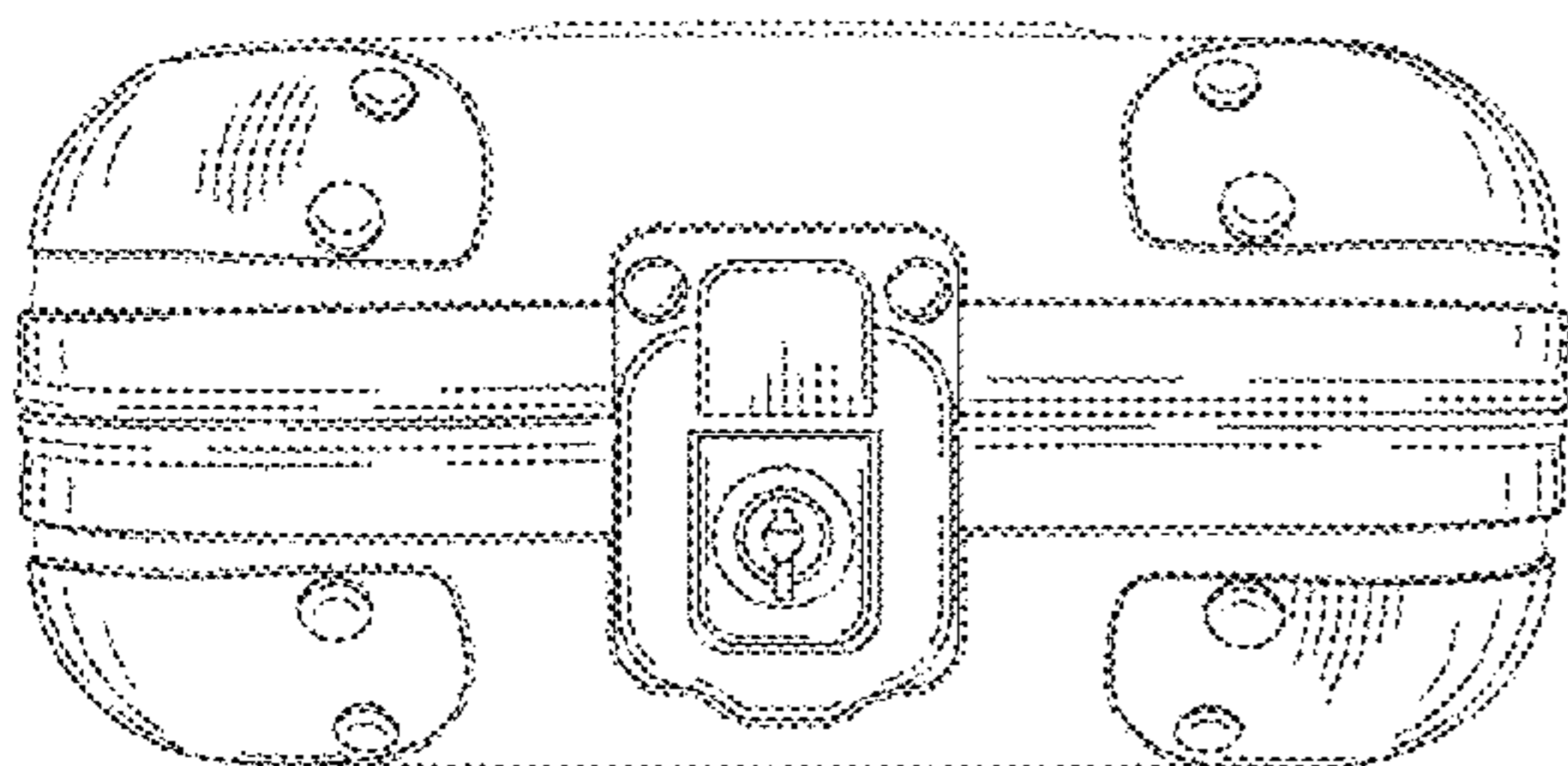
FIG. 20 is a top/rear/right perspective view thereof; and,

FIG. 21 is a bottom/front/left perspective view thereof.

The side rings and ring retainers and the ridges on the unclaimed surface are included to show portions of the storage case that form no part of the claimed design.

The broken lines that define the bounds of the claimed design form no part thereof.

1 Claim, 21 Drawing Sheets



US D677,464 S

Page 2

U.S. PATENT DOCUMENTS

D259,596	S	*	6/1981	Gray	D3/205
4,454,889	A	*	6/1984	Contreras, Sr.	132/301
4,509,622	A	*	4/1985	Morszeck	190/119
D287,429	S	*	12/1986	Esslinger	D3/292
D288,863	S	*	3/1987	Vuitton	D3/289
5,000,301	A	*	3/1991	Grenier	190/127
D331,663	S	*	12/1992	Roncato	D3/292
D353,265	S	*	12/1994	Newby, Sr.	D3/269
D360,756	S	*	8/1995	King	D3/279
D369,024	S	*	4/1996	King et al.	D3/283
D369,240	S	*	4/1996	Newby, Sr.	D3/268
D378,164	S	*	2/1997	Lee	D3/276
D485,681	S	*	1/2004	Fenton et al.	D3/279
D490,206	S	*	5/2004	Perella et al.	D99/28
D493,936	S	*	8/2004	Perella et al.	D99/28
D496,791	S	*	10/2004	Perella et al.	D3/267
D497,252	S	*	10/2004	Perella et al.	D3/294
D498,049	S	*	11/2004	Perella et al.	D3/273
D499,883	S	*	12/2004	Perella et al.	D3/276
D500,922	S	*	1/2005	Perella et al.	D3/273
D501,083	S	*	1/2005	Perella et al.	D3/276
D501,995	S	*	2/2005	Perella et al.	D3/273
D503,024	S	*	3/2005	Perella et al.	D99/28
D503,503	S	*	3/2005	Perella et al.	D99/28
D504,990	S	*	5/2005	Perella et al.	D99/28
D509,357	S	*	9/2005	Perella et al.	D3/267
D510,806	S	*	10/2005	Bourne	D3/321
D511,035	S	*	10/2005	Perella et al.	D99/28
D515,809	S	*	2/2006	Perella et al.	D3/273
D522,746	S	*	6/2006	Perella et al.	D3/276
D527,521	S	*	9/2006	Sijmons	D3/289
D528,795	S	*	9/2006	Perella et al.	D3/297
D529,287	S	*	10/2006	Perella et al.	D3/294
D540,540	S	*	4/2007	Szyf et al.	D3/279
D545,018	S	*	6/2007	Caruso et al.	D32/40
D549,447	S	*	8/2007	Perella et al.	D3/206
D560,875	S	*	1/2008	Decarlo et al.	D99/28
D561,462	S	*	2/2008	Perella et al.	D3/206
D562,048	S	*	2/2008	Perella et al.	D6/632
D564,031	S	*	3/2008	Perella et al.	D19/90
D565,298	S	*	4/2008	Braun	D3/273
D574,655	S	*	8/2008	Perella et al.	D6/634
D578,819	S	*	10/2008	Perella et al.	D6/632
D579,174	S	*	10/2008	Decarlo et al.	D99/28
D584,511	S	*	1/2009	Decarlo et al.	D3/322
D596,399	S	*	7/2009	Decarlo et al.	D3/291
D619,808	S	*	7/2010	Huang	D3/276
D619,809	S	*	7/2010	Huang	D3/276
D619,810	S	*	7/2010	Huang	D3/276
D643,623	S	*	8/2011	Chin et al.	D3/272

* cited by examiner

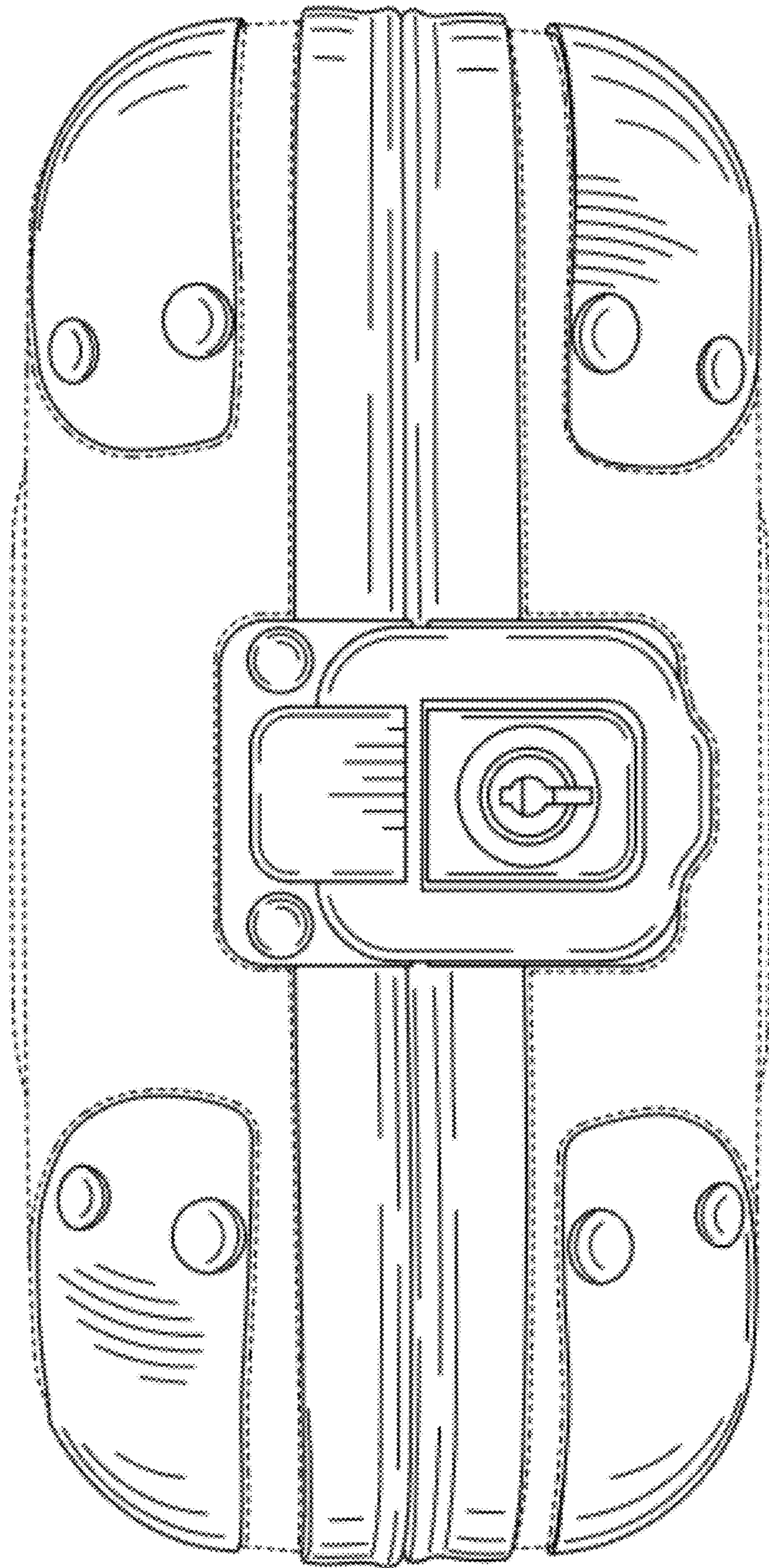


Fig. 1

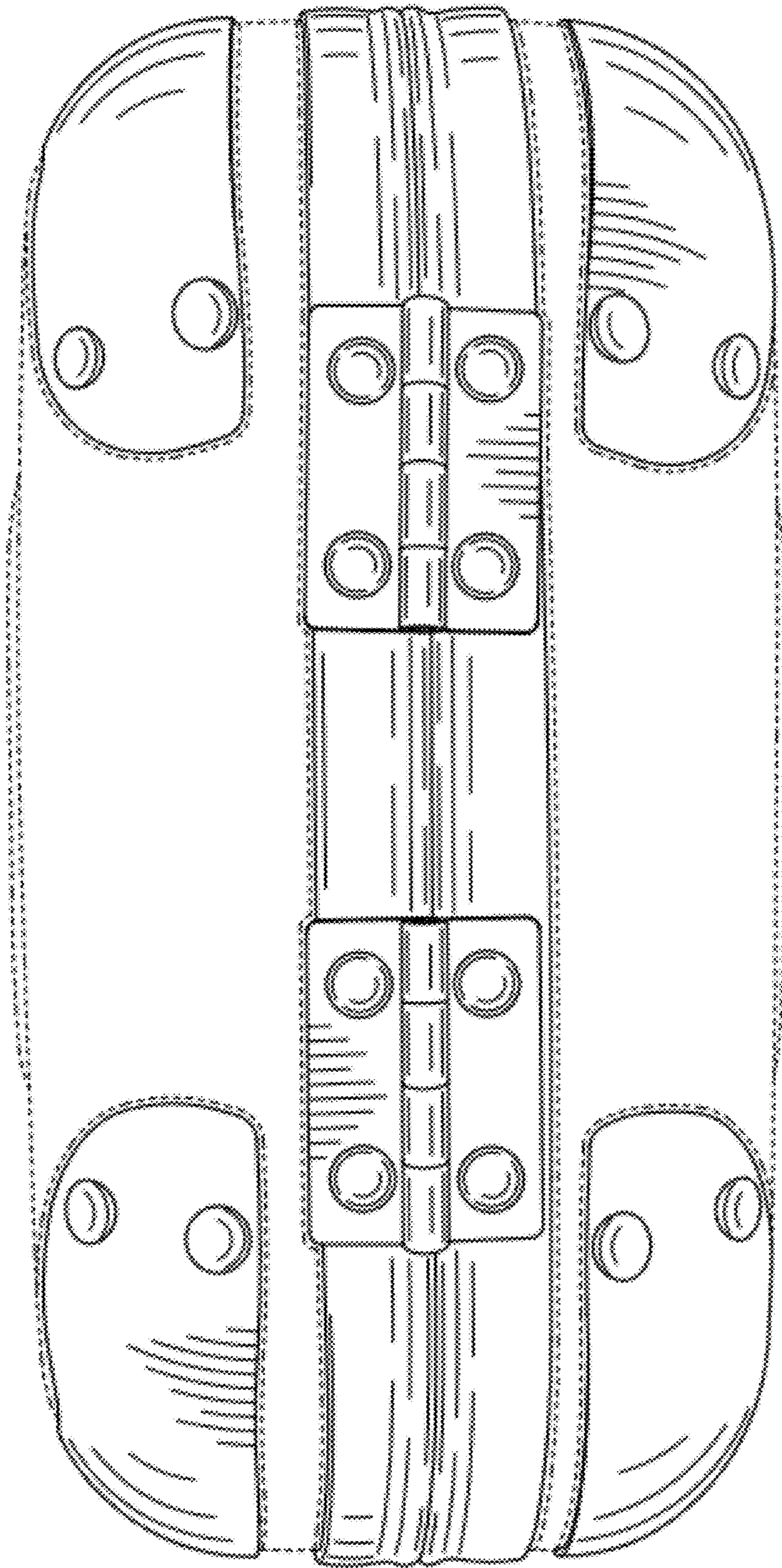


Fig. 2

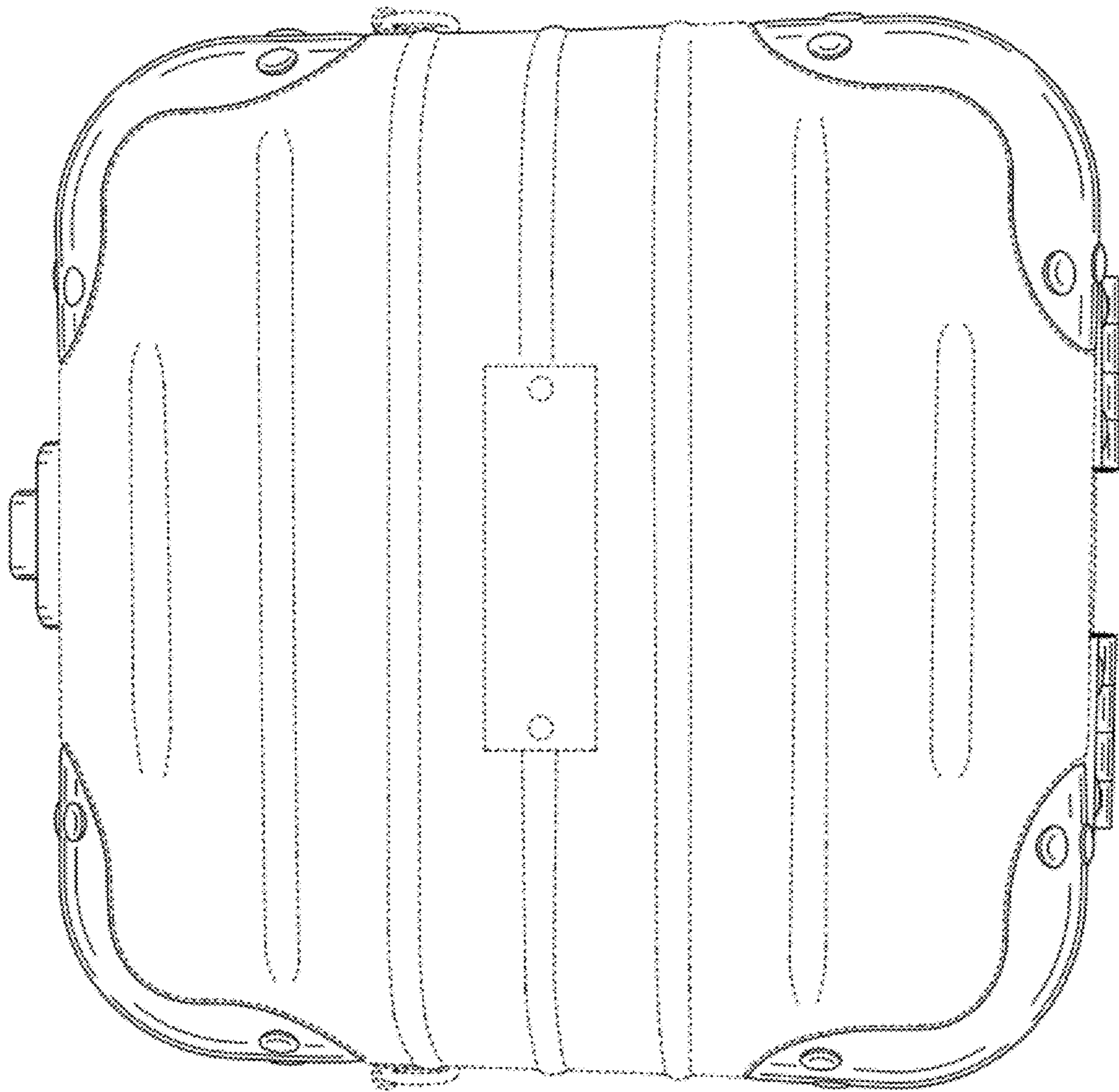


Fig. 3

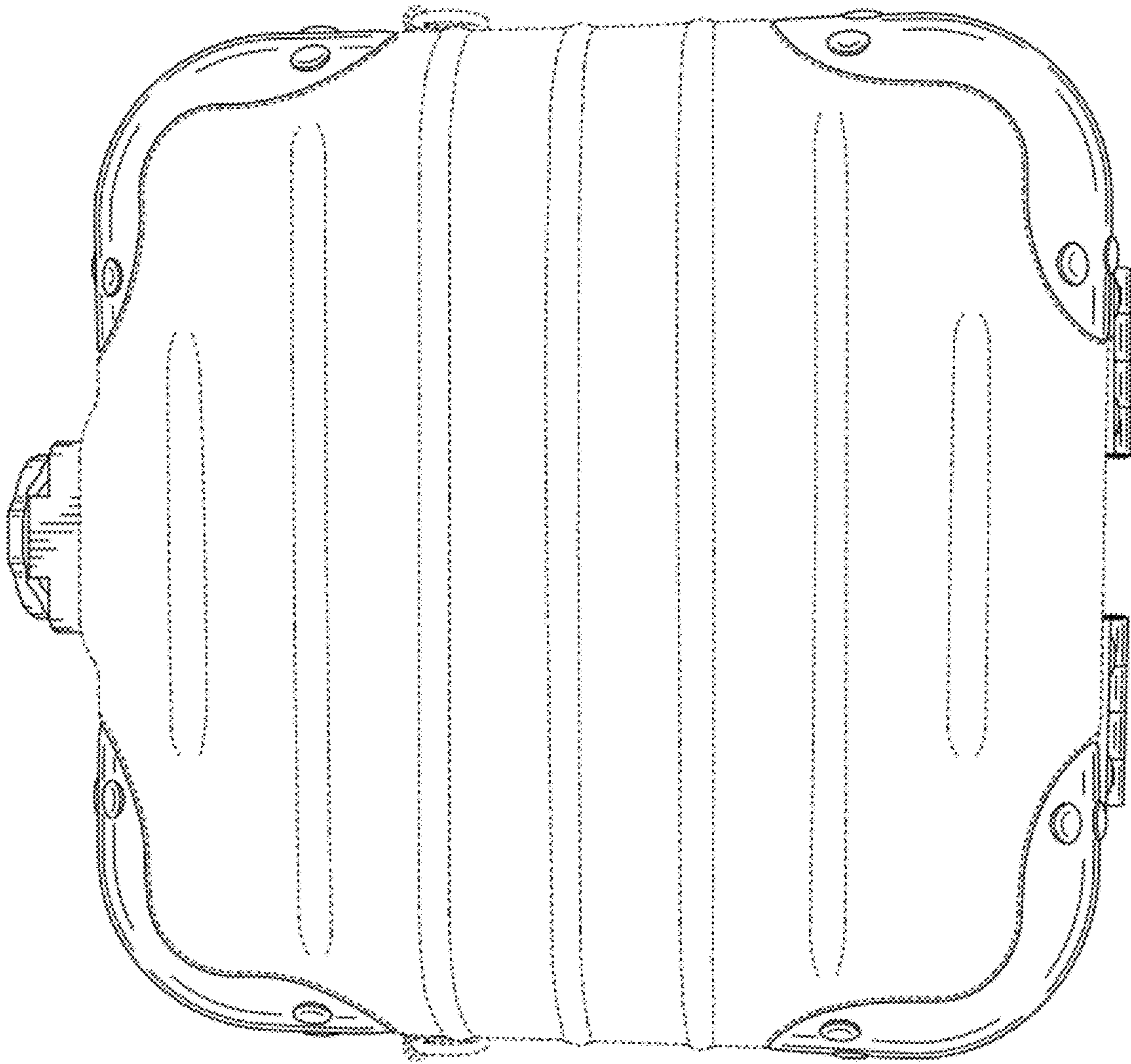


Fig. 4

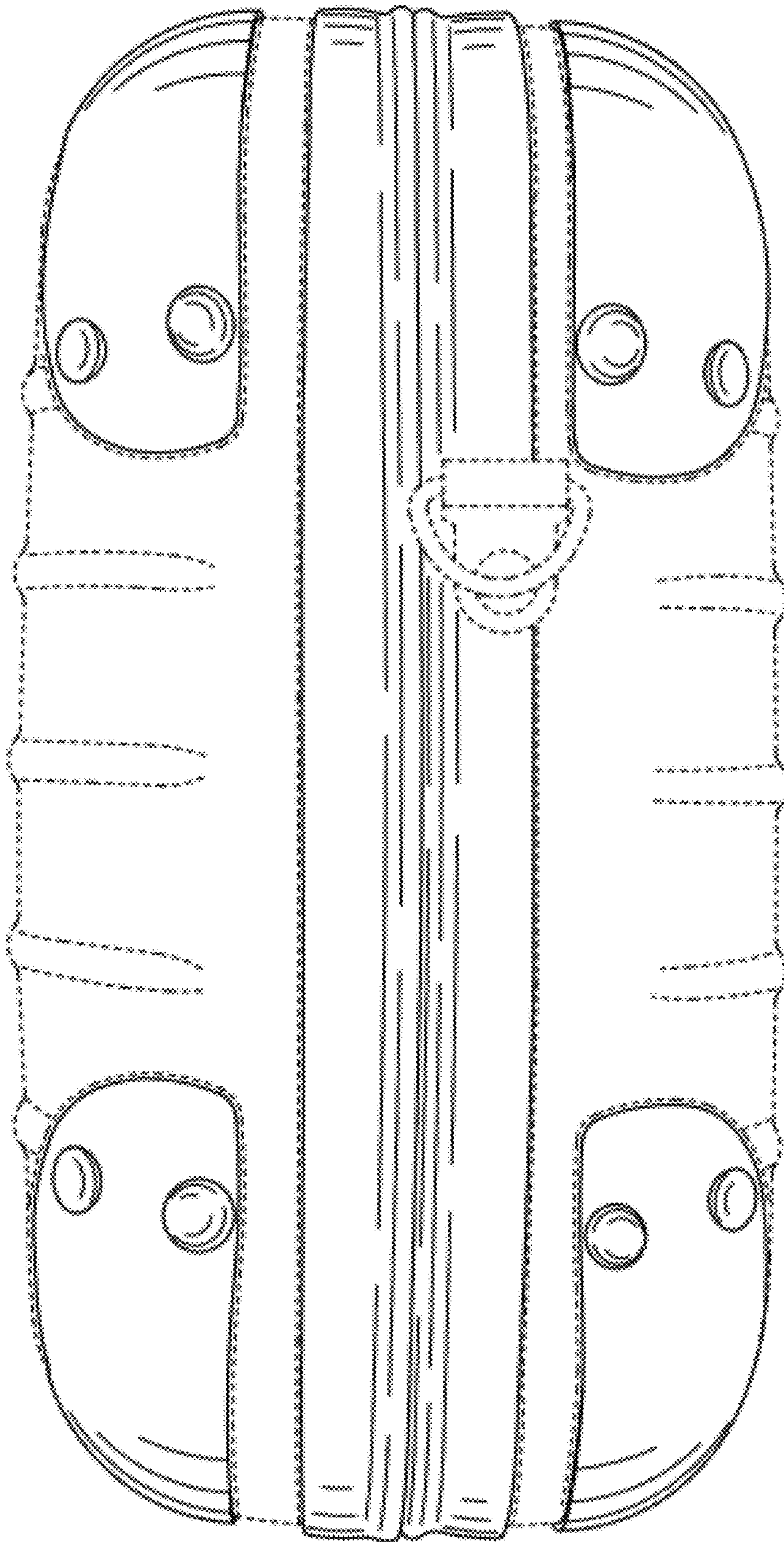


Fig. 5

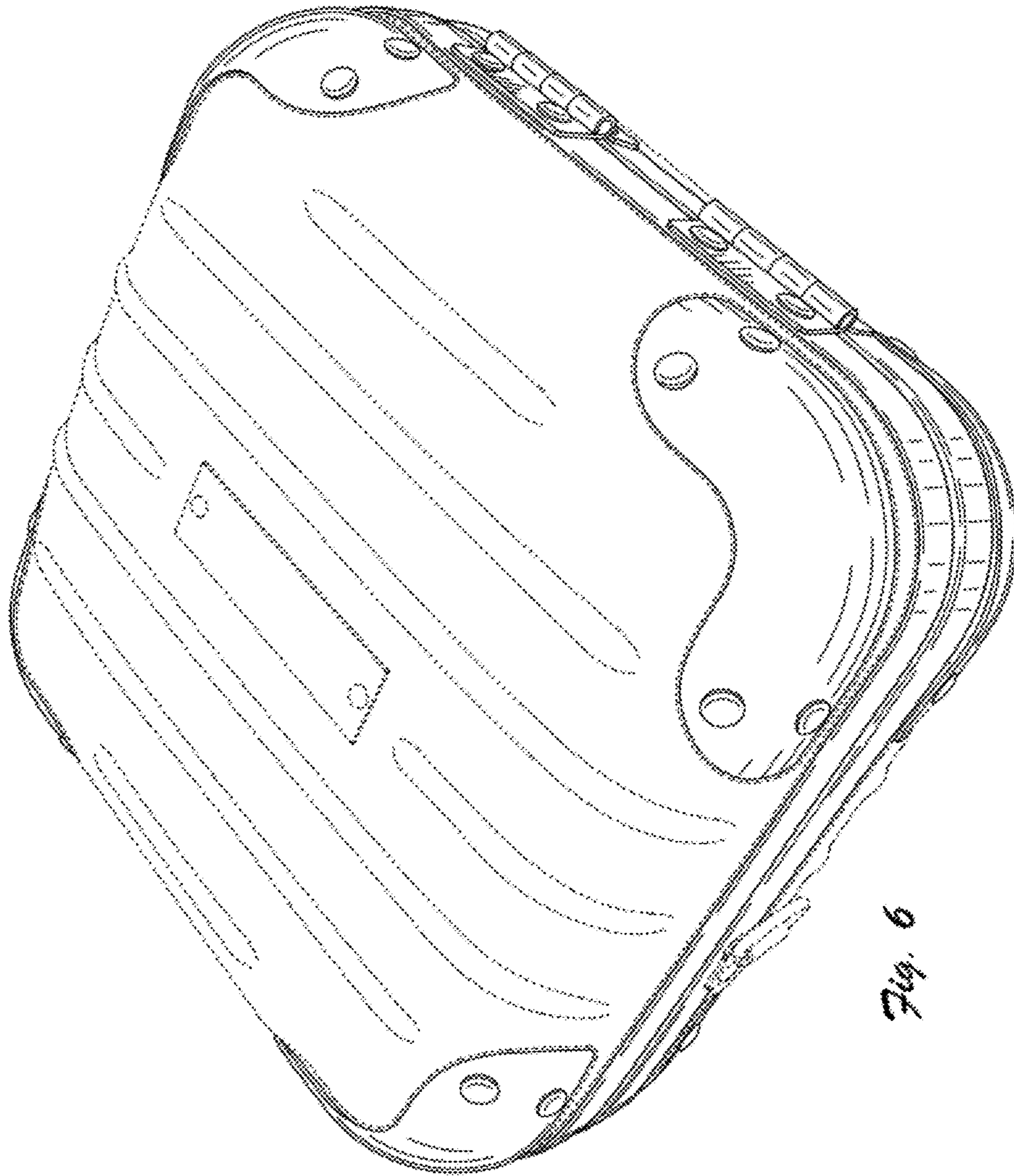


Fig. 6

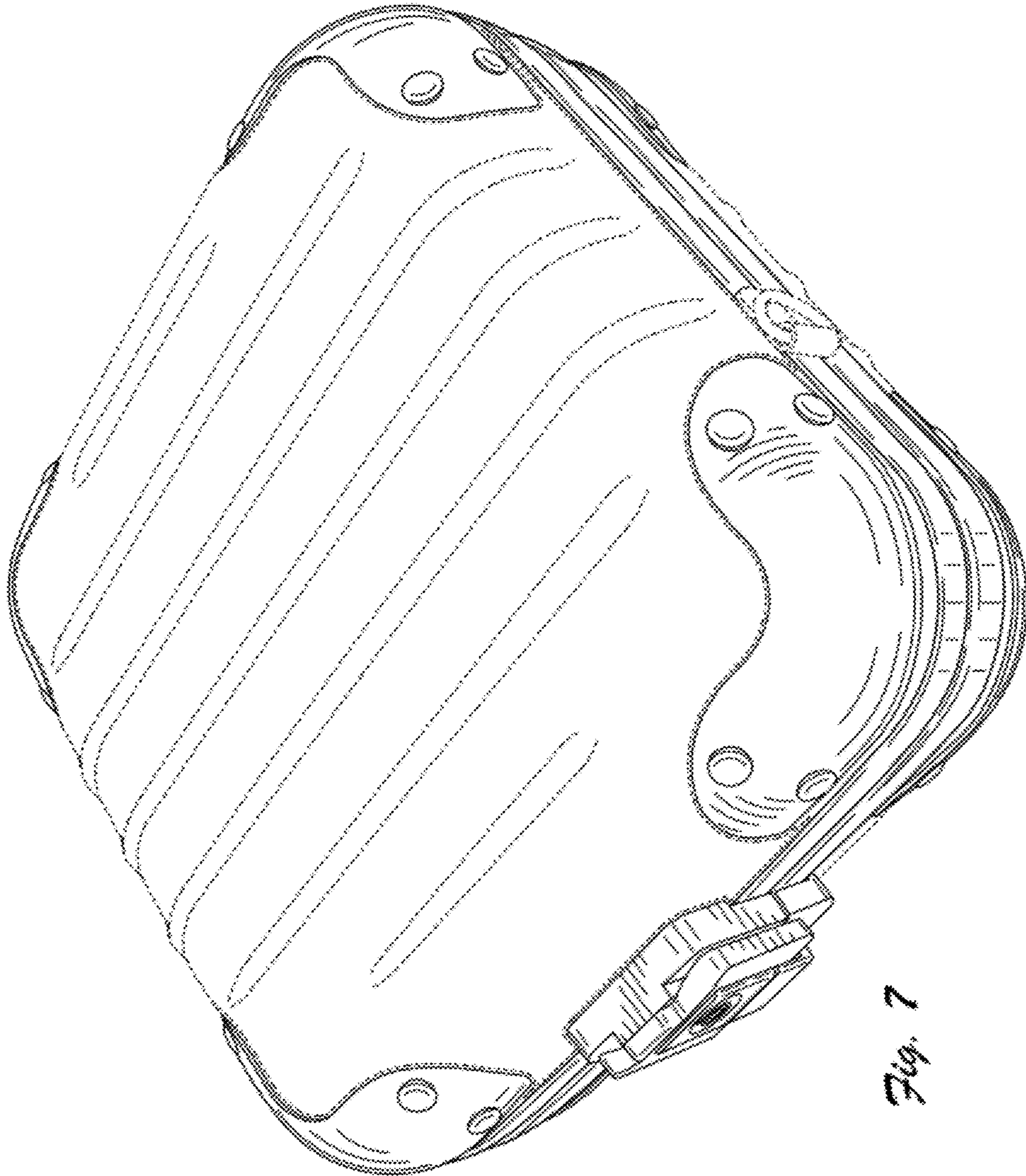


Fig. 7

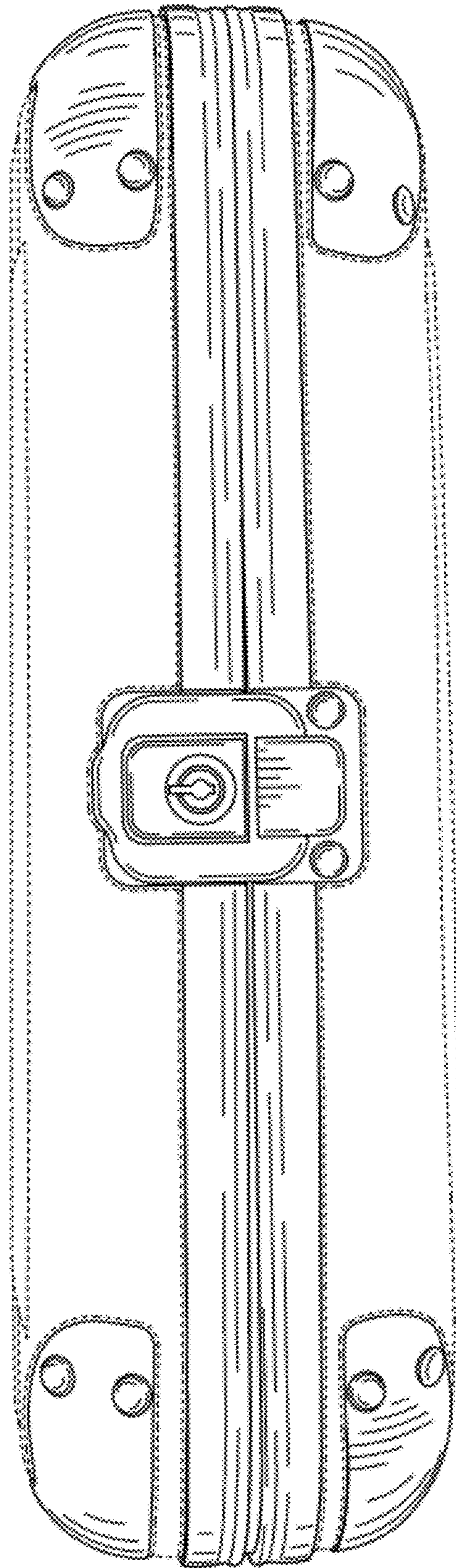


Fig. 8

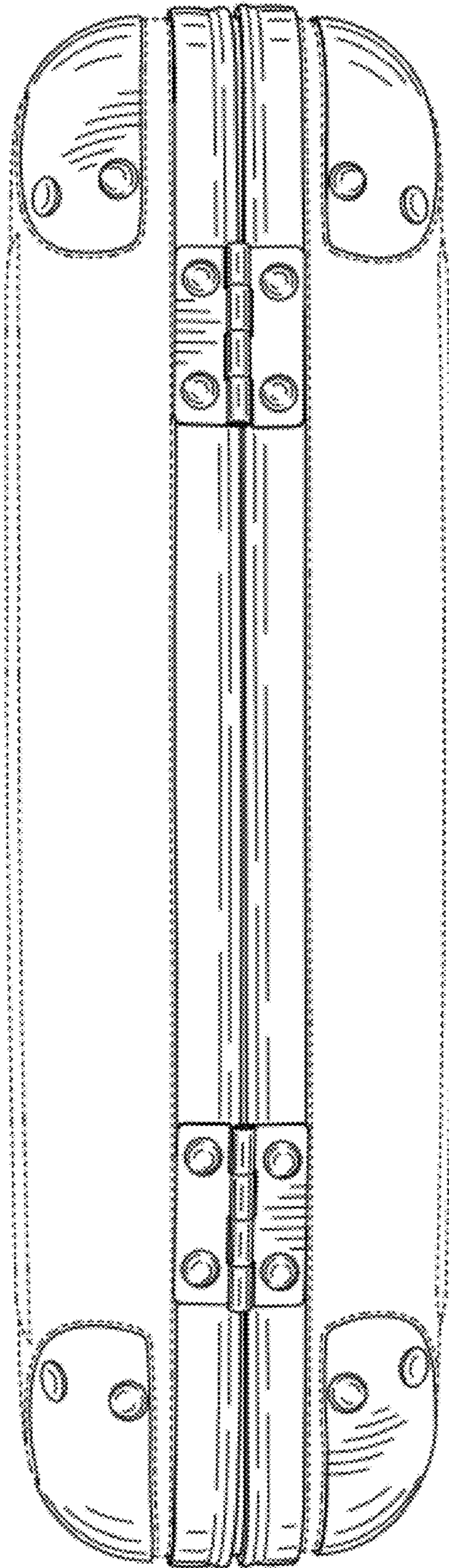


Fig. 9

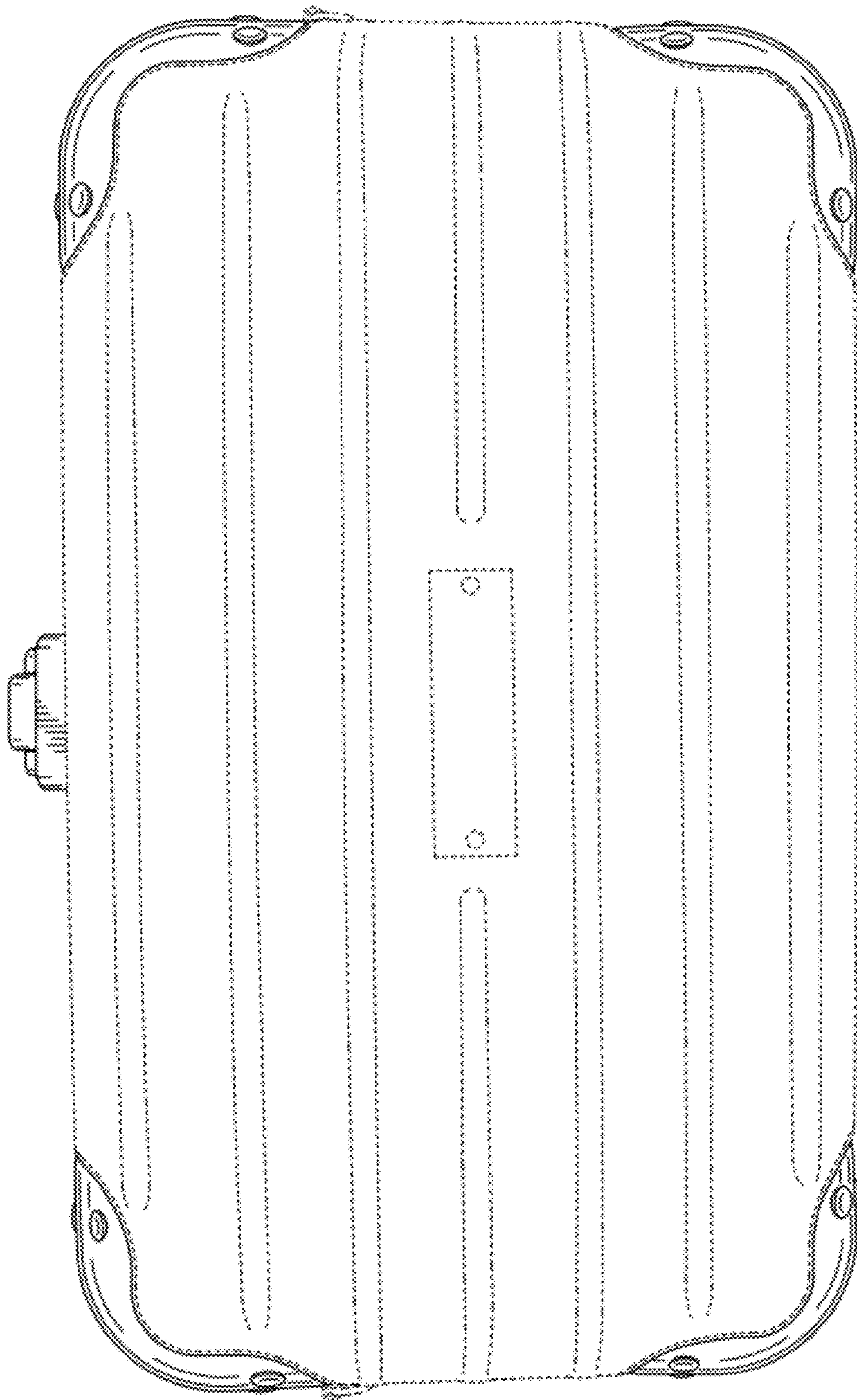


Fig. 10

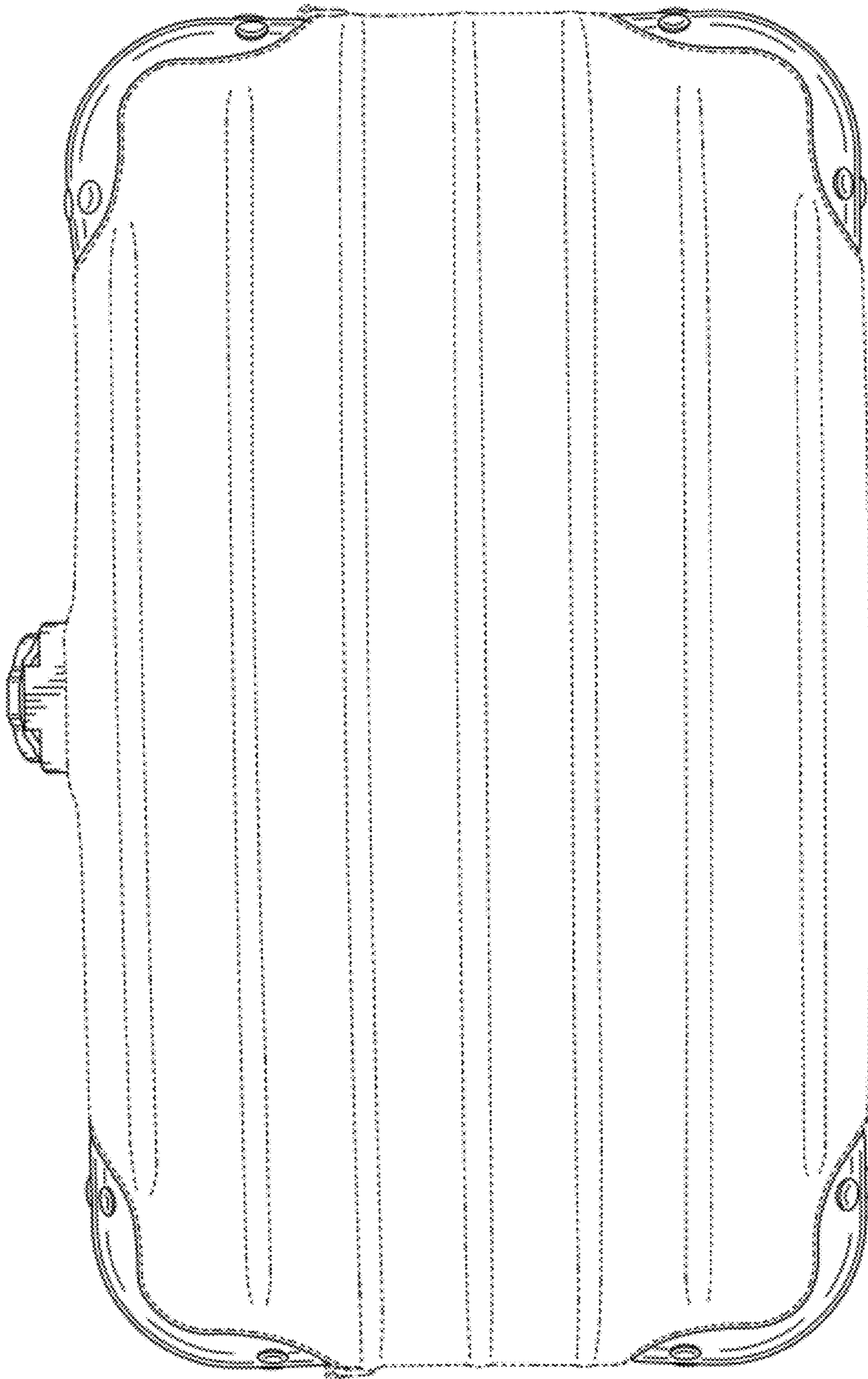


Fig. 11

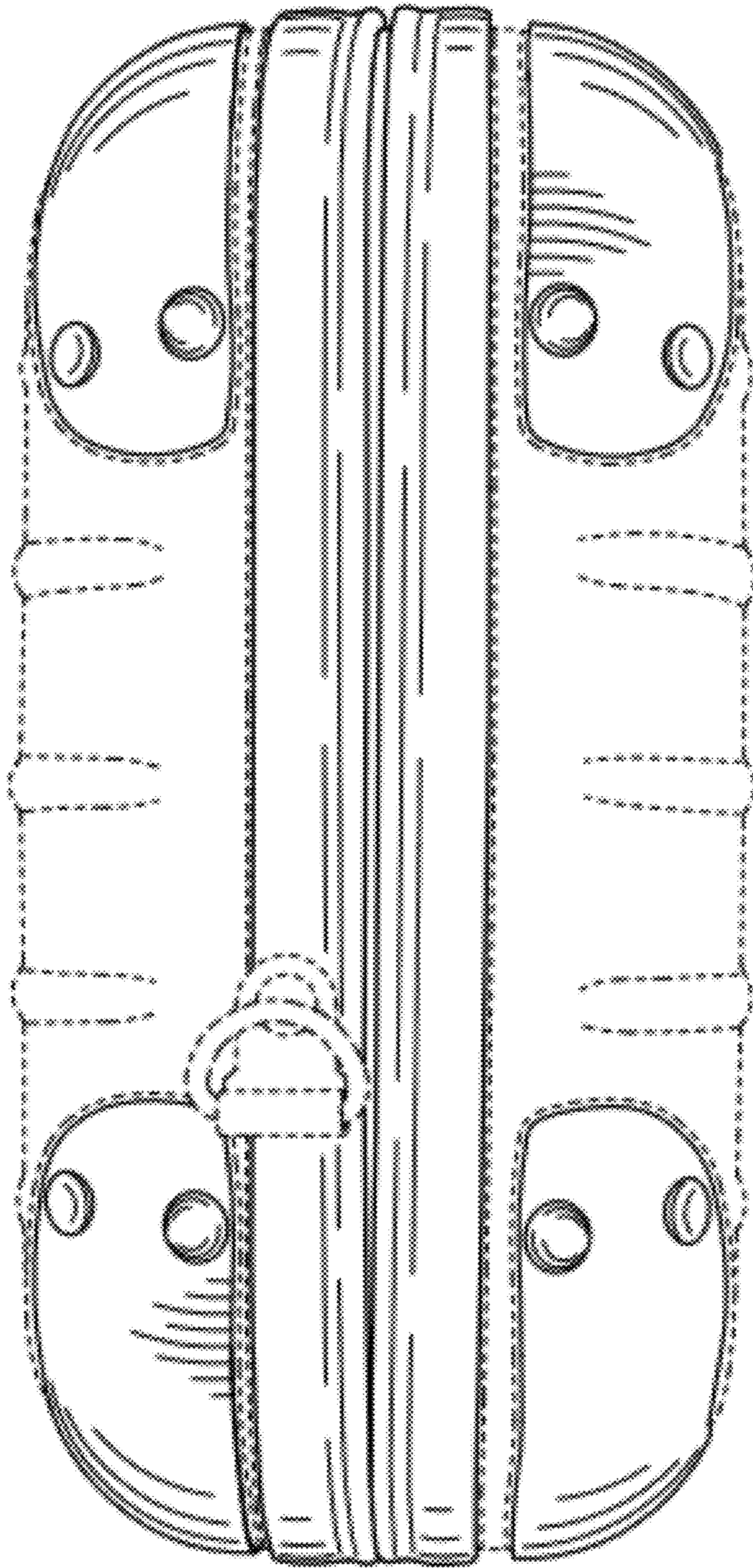


Fig. 12

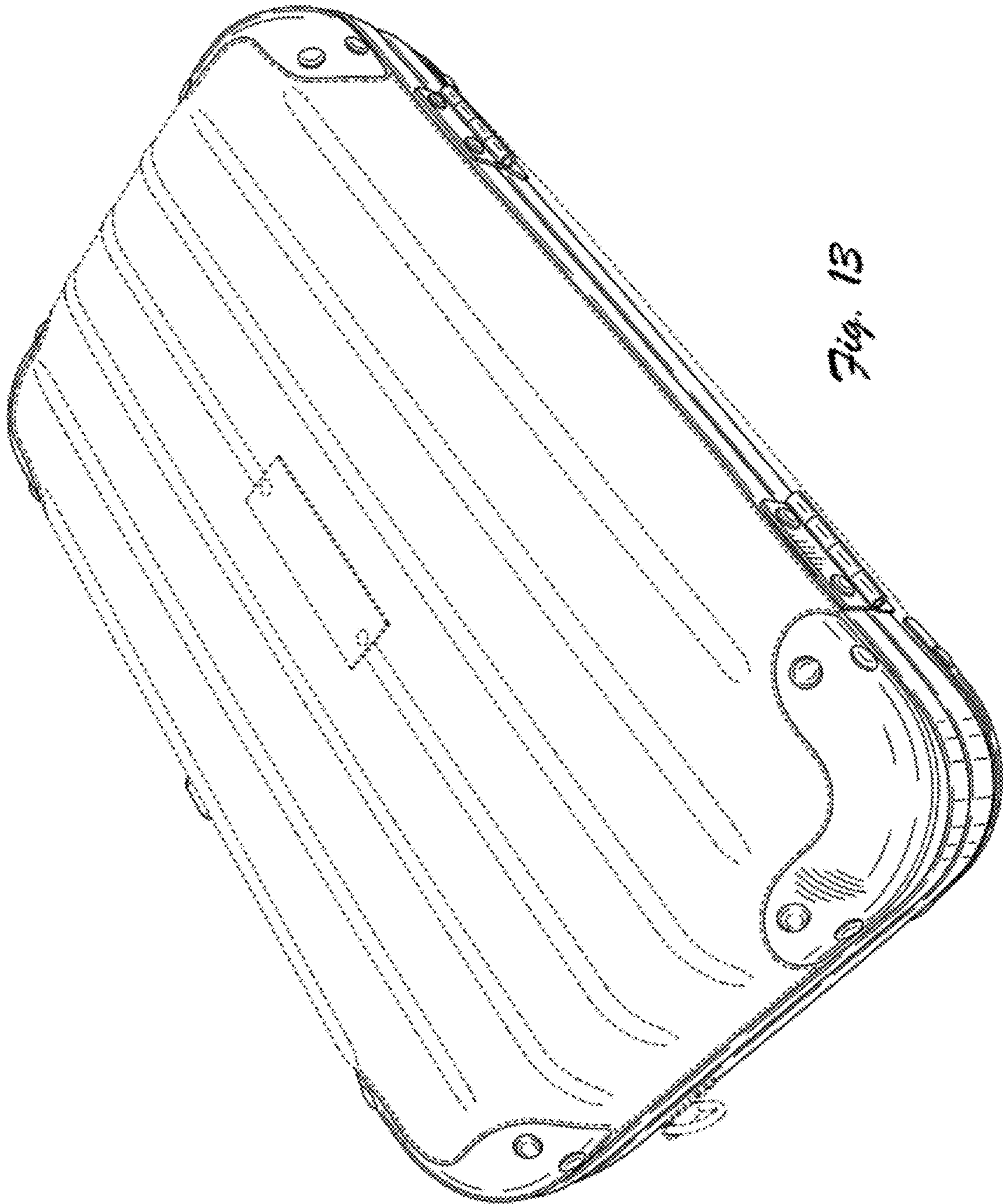


Fig. 13

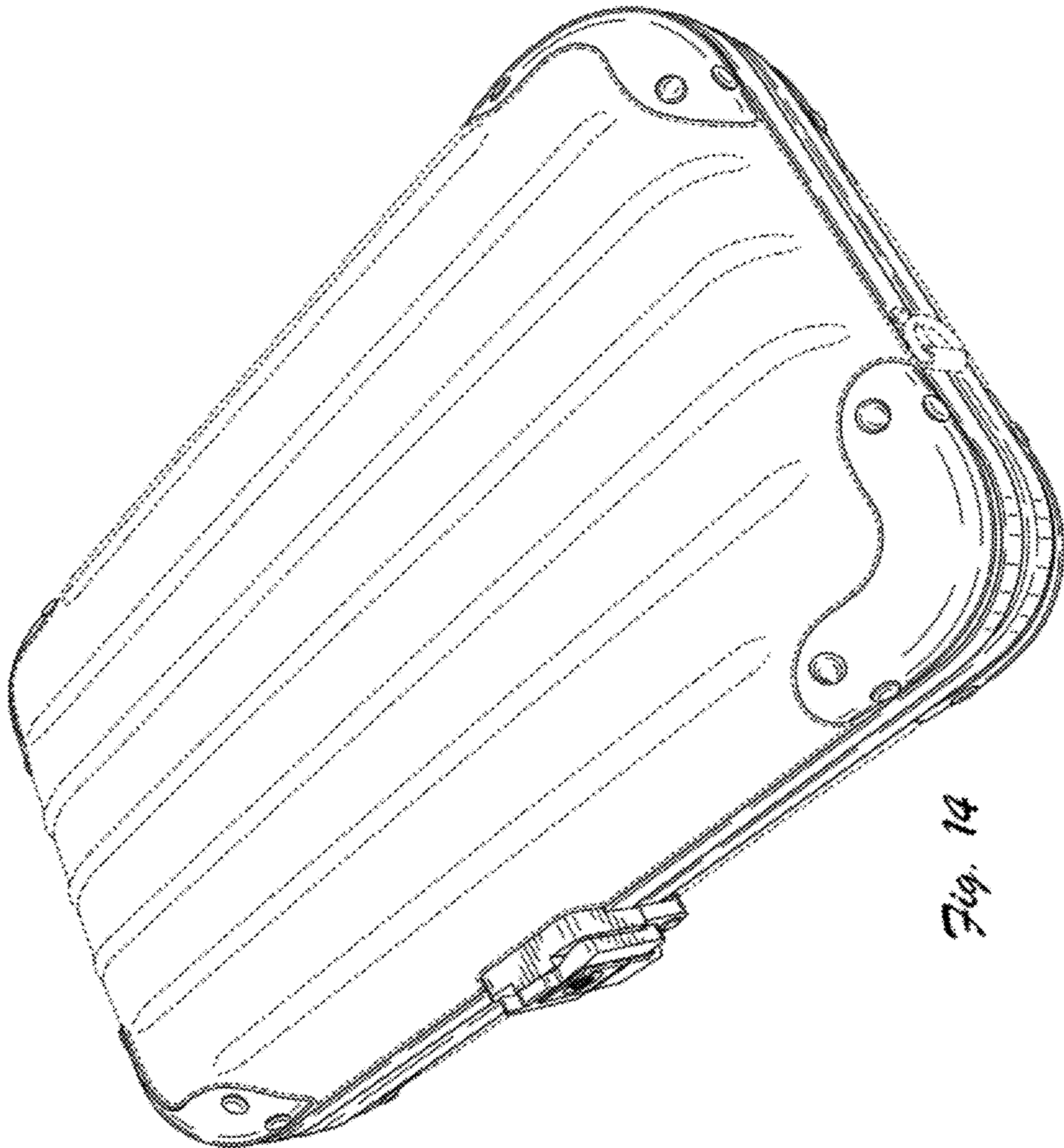


Fig. 14

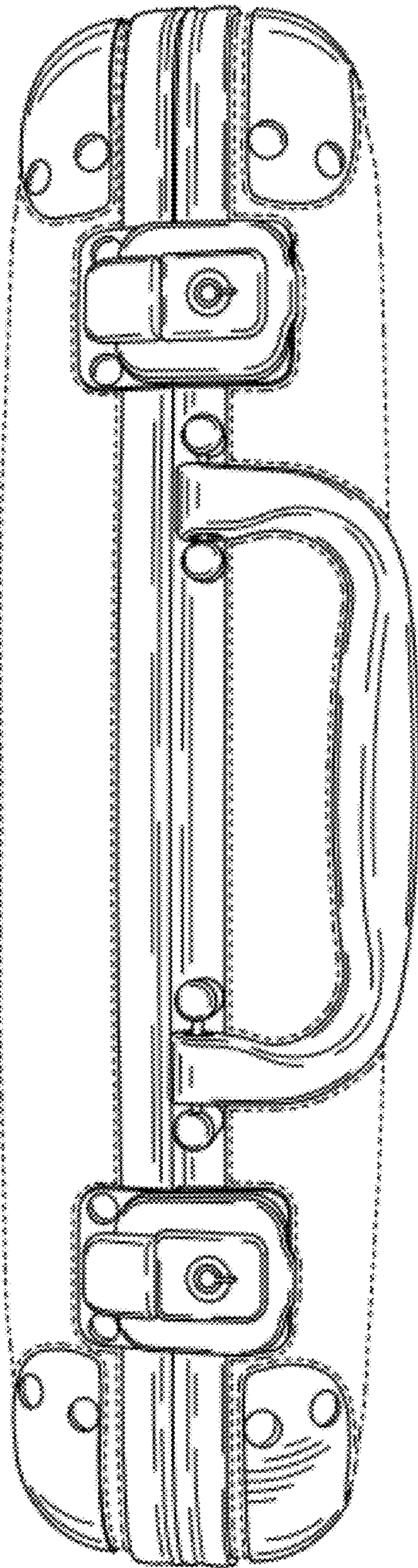


Fig. 15

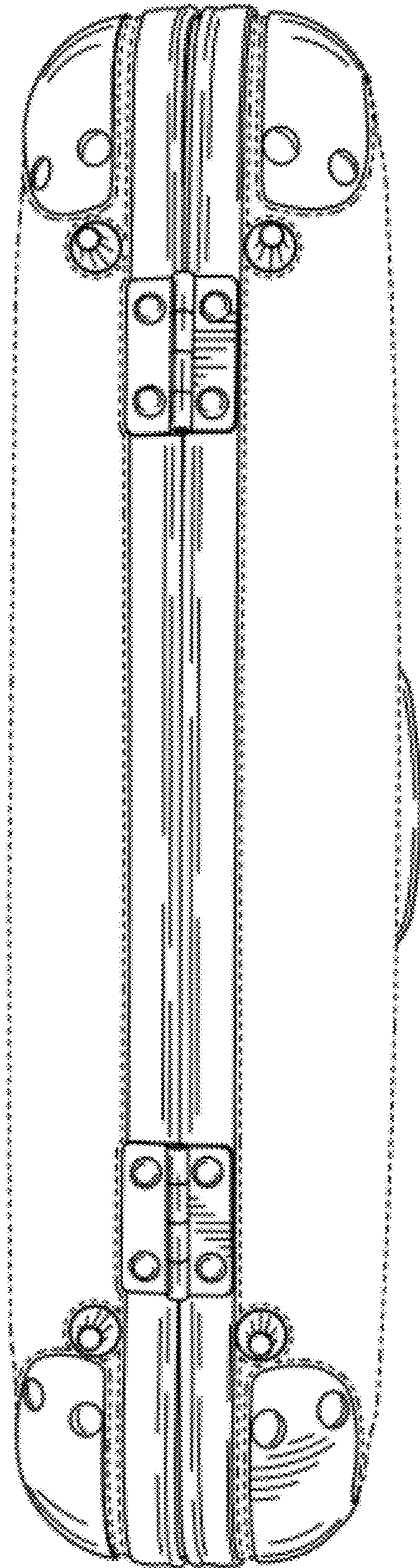


Fig. 16

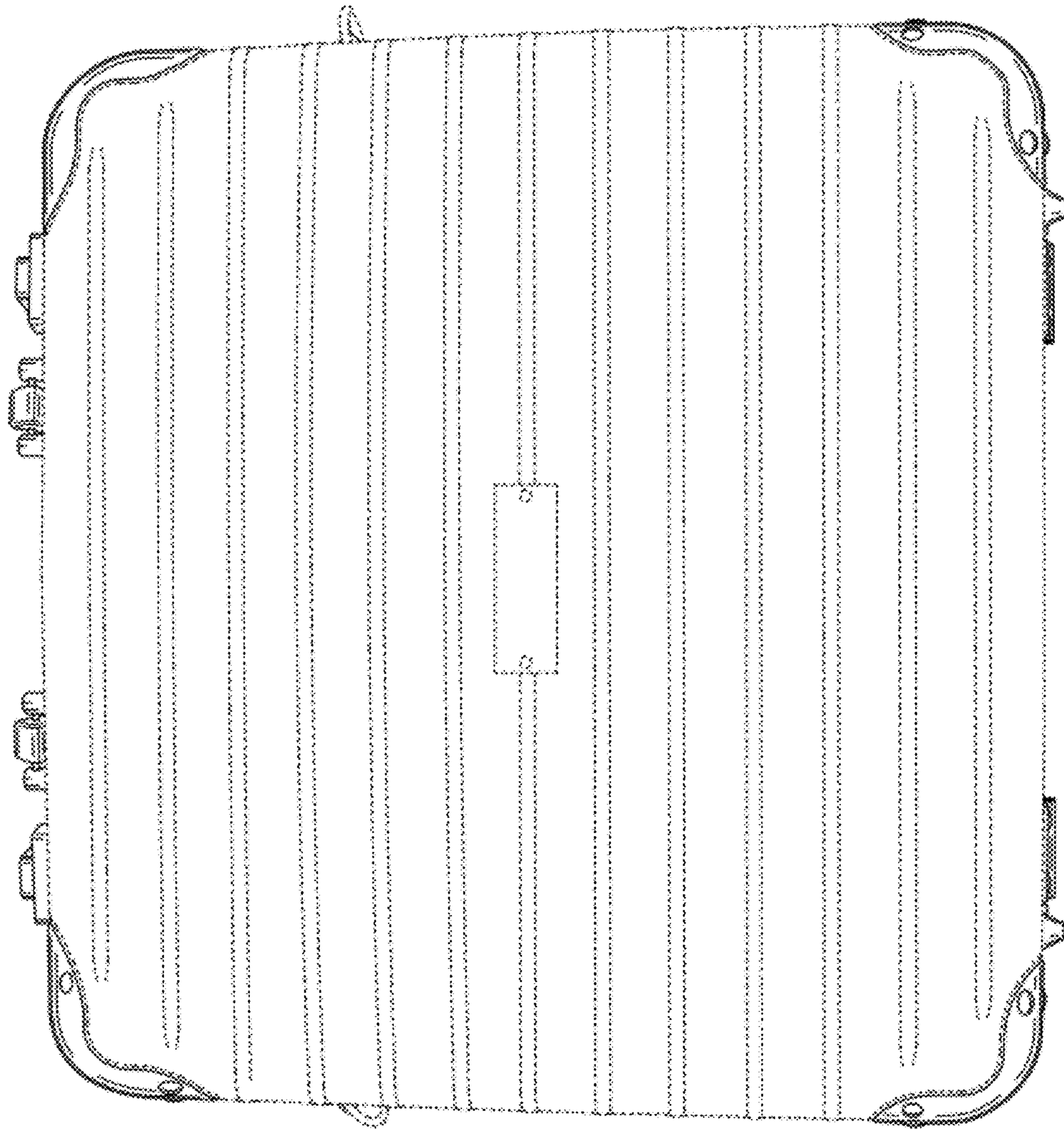


Fig. 17

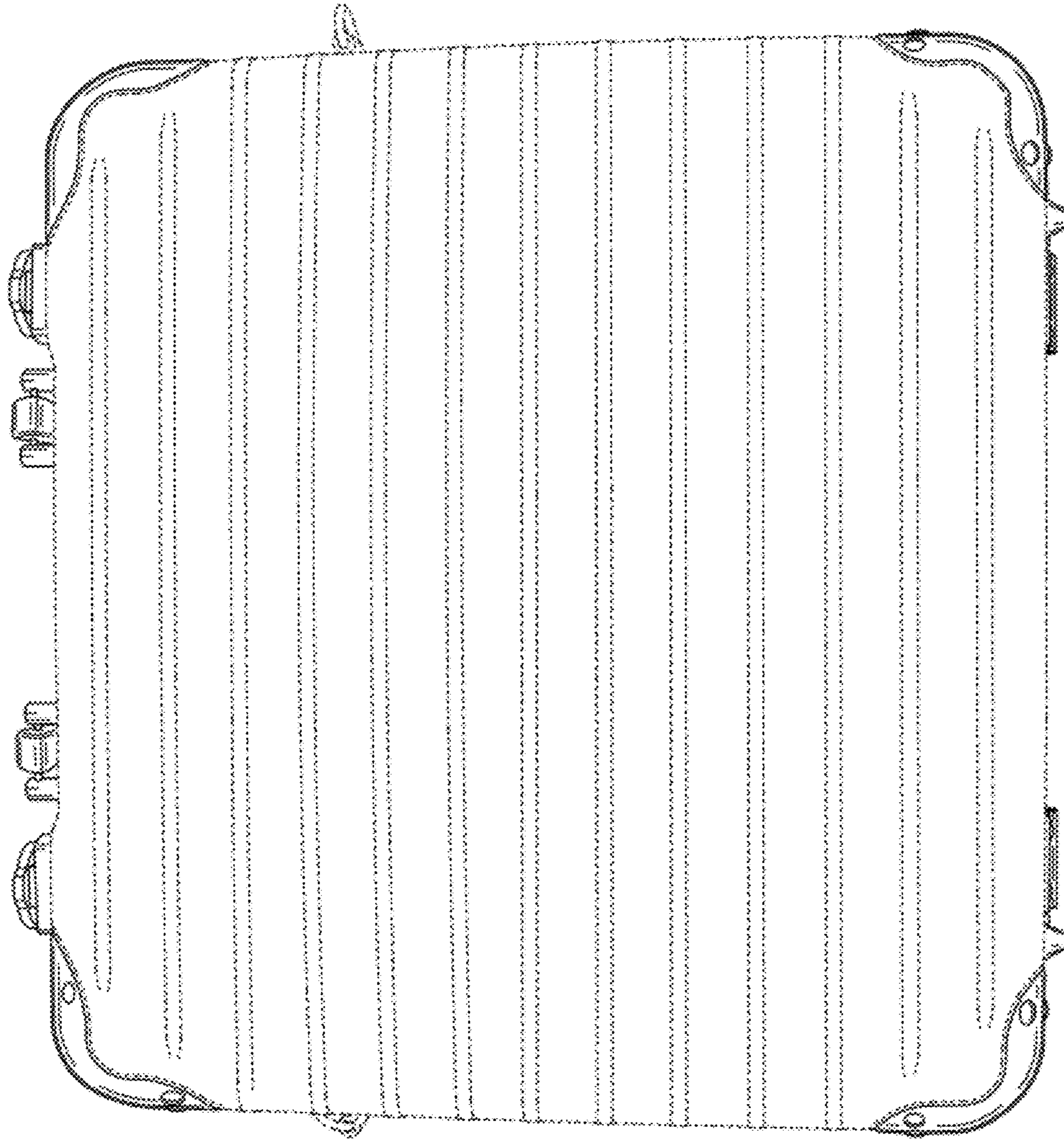


Fig. 18

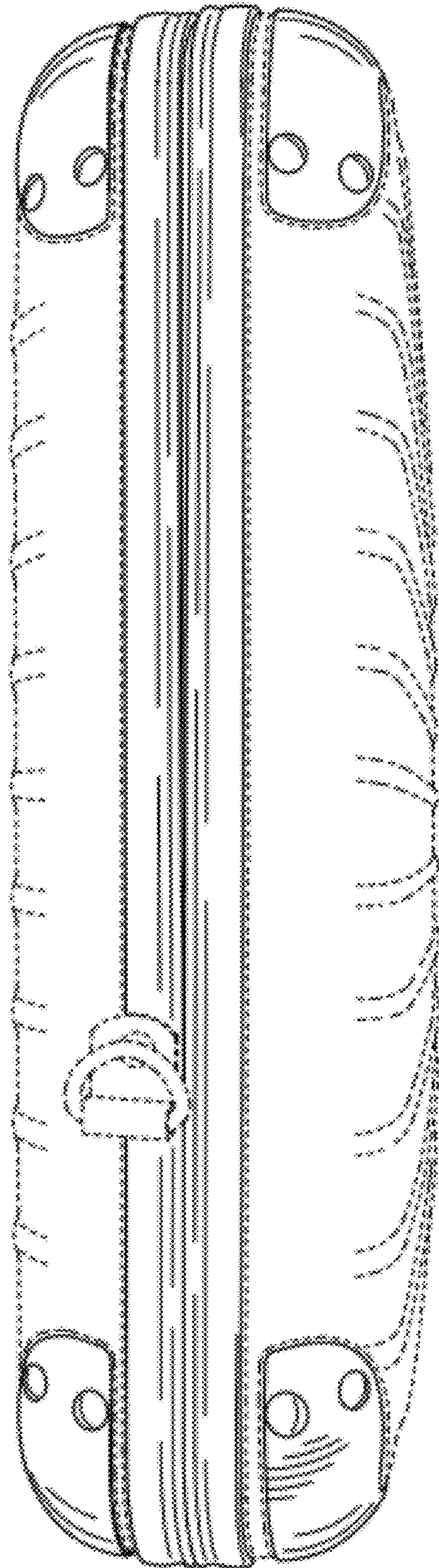


Fig. 19

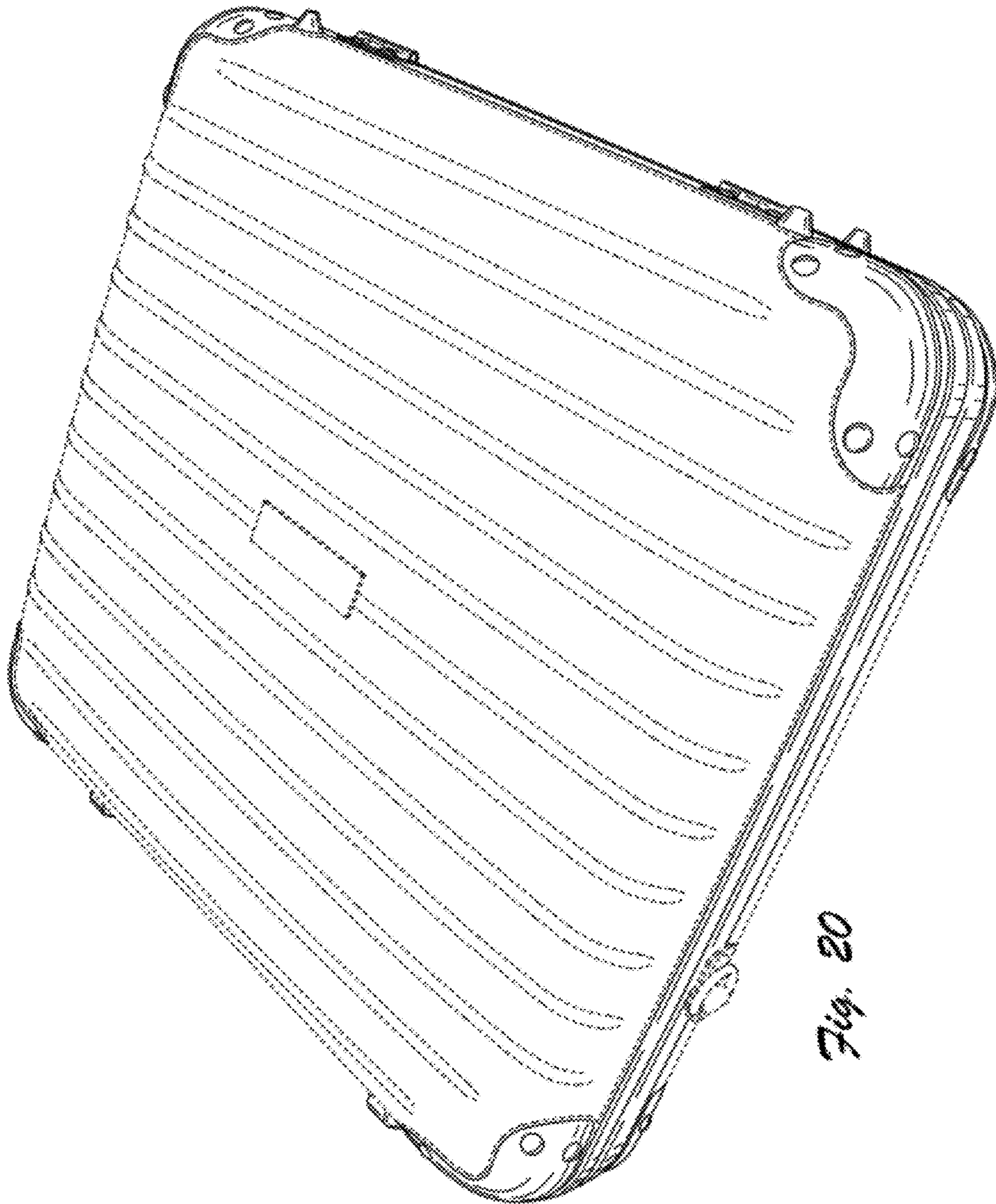


Fig. 20

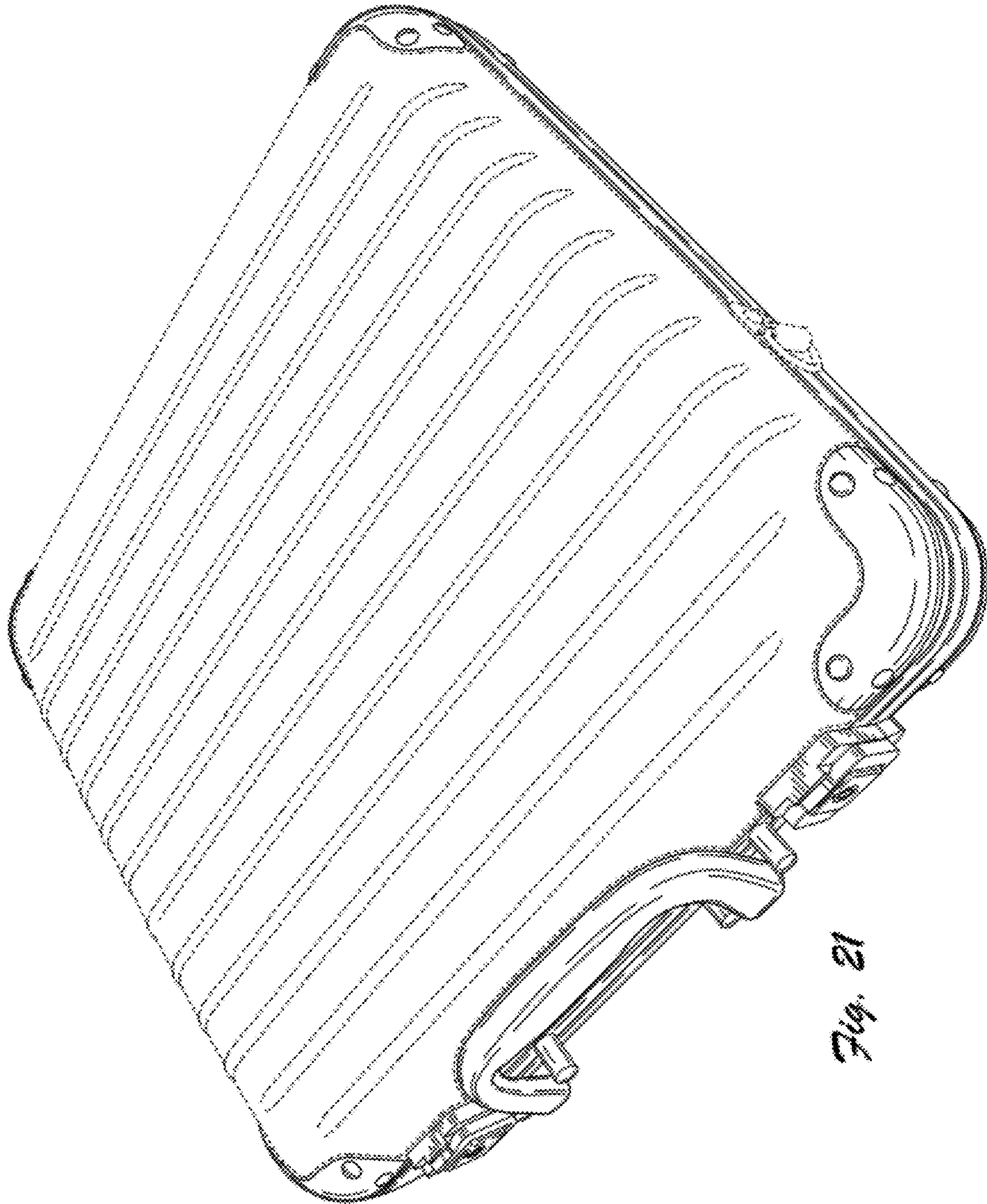


Fig. 21