

US00D677463S

(12) **United States Design Patent**
Cenzano et al.

(10) **Patent No.:** **US D677,463 S**
(45) **Date of Patent:** **** Mar. 12, 2013**

(54) **CLOSABLE BOX**

(75) Inventors: **Lauren Cenzano**, East Northport, NY (US); **Doug Mudd**, O'Fallon, MO (US)

(73) Assignee: **Esselte Corporation**, Melville, NY (US)

(**) Term: **14 Years**

(21) Appl. No.: **29/429,240**

(22) Filed: **Aug. 8, 2012**

Related U.S. Application Data

(60) Division of application No. 29/398,380, filed on Jul. 29, 2011, now Pat. No. Des. 668,051, which is a continuation-in-part of application No. 29/384,490, filed on Jan. 31, 2011, now Pat. No. Des. 668,047.

(51) **LOC (9) Cl.** **03-01**

(52) **U.S. Cl.** **D3/272; D3/294; D99/28**

(58) **Field of Classification Search** **D3/272, D3/273, 292, 294-297, 900, 276, 318, 321, D3/323, 322; 190/19, 23, 37, 40, 900; D99/28**
See application file for complete search history.

(56) **References Cited**

U.S. PATENT DOCUMENTS

1,379,438	A	5/1921	Billings	
3,191,765	A	6/1965	Dozier	
D288,863	S *	3/1987	Vuitton	D3/289
D415,614	S *	10/1999	Akaike et al.	D3/276
D490,206	S	5/2004	Perella et al.	
D493,936	S *	8/2004	Perella et al.	D99/28
D496,791	S	10/2004	Perella et al.	
D499,883	S *	12/2004	Perella et al.	D3/276
D500,922	S *	1/2005	Perella et al.	D3/273
D501,083	S	1/2005	Perella et al.	
D503,024	S	3/2005	Perella et al.	

D503,503	S *	3/2005	Perella et al.	D99/28
D504,990	S	5/2005	Perella et al.	
D506,061	S	6/2005	McGibben	
D509,357	S	9/2005	Perella et al.	
D511,035	S	10/2005	Perella et al.	
D584,511	S	1/2009	Decarlo et al.	
7,774,961	B2	8/2010	Bopp	

* cited by examiner

Primary Examiner — Jennifer Rivard

(74) *Attorney, Agent, or Firm* — Dorsey & Whitney LLP

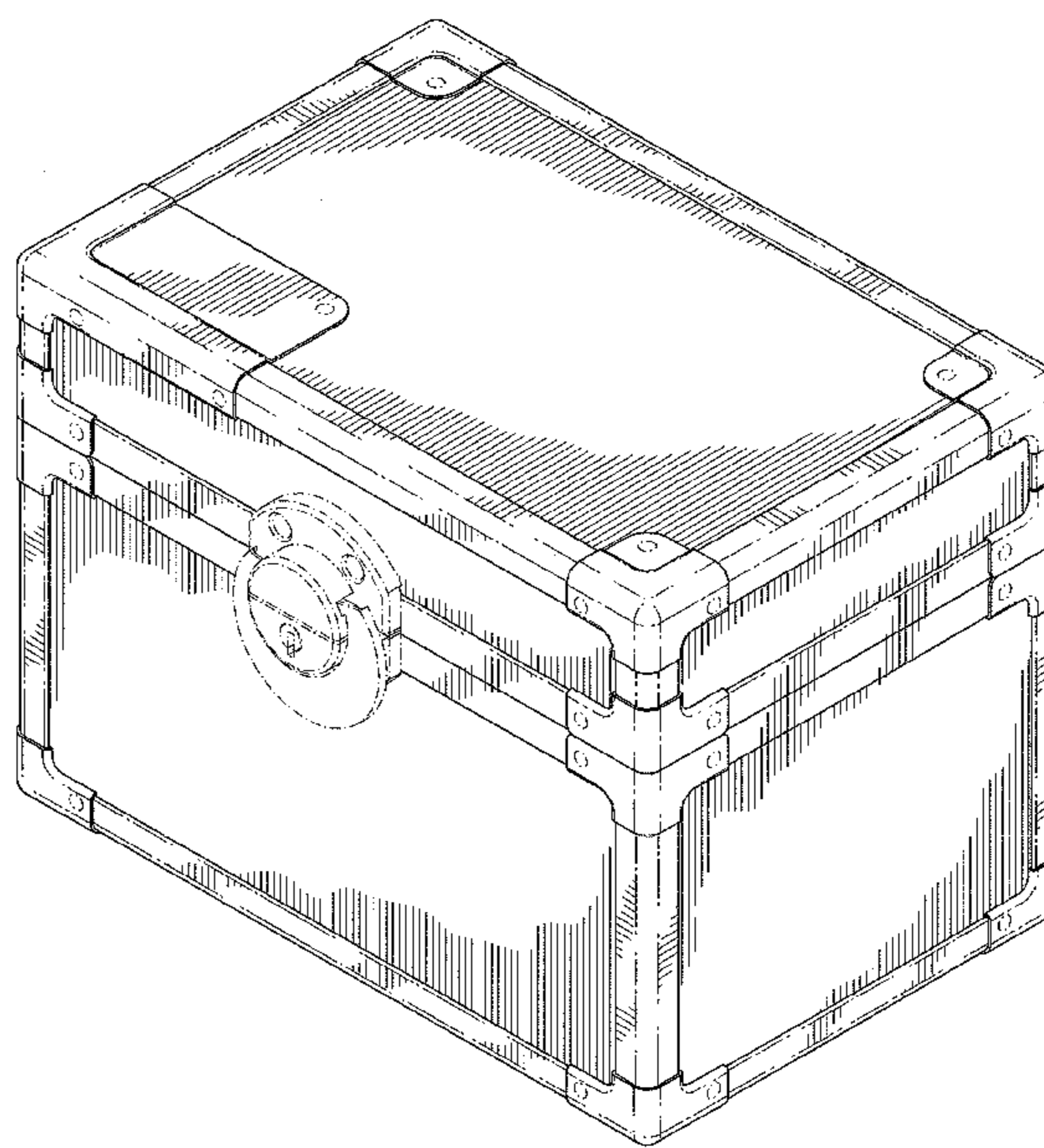
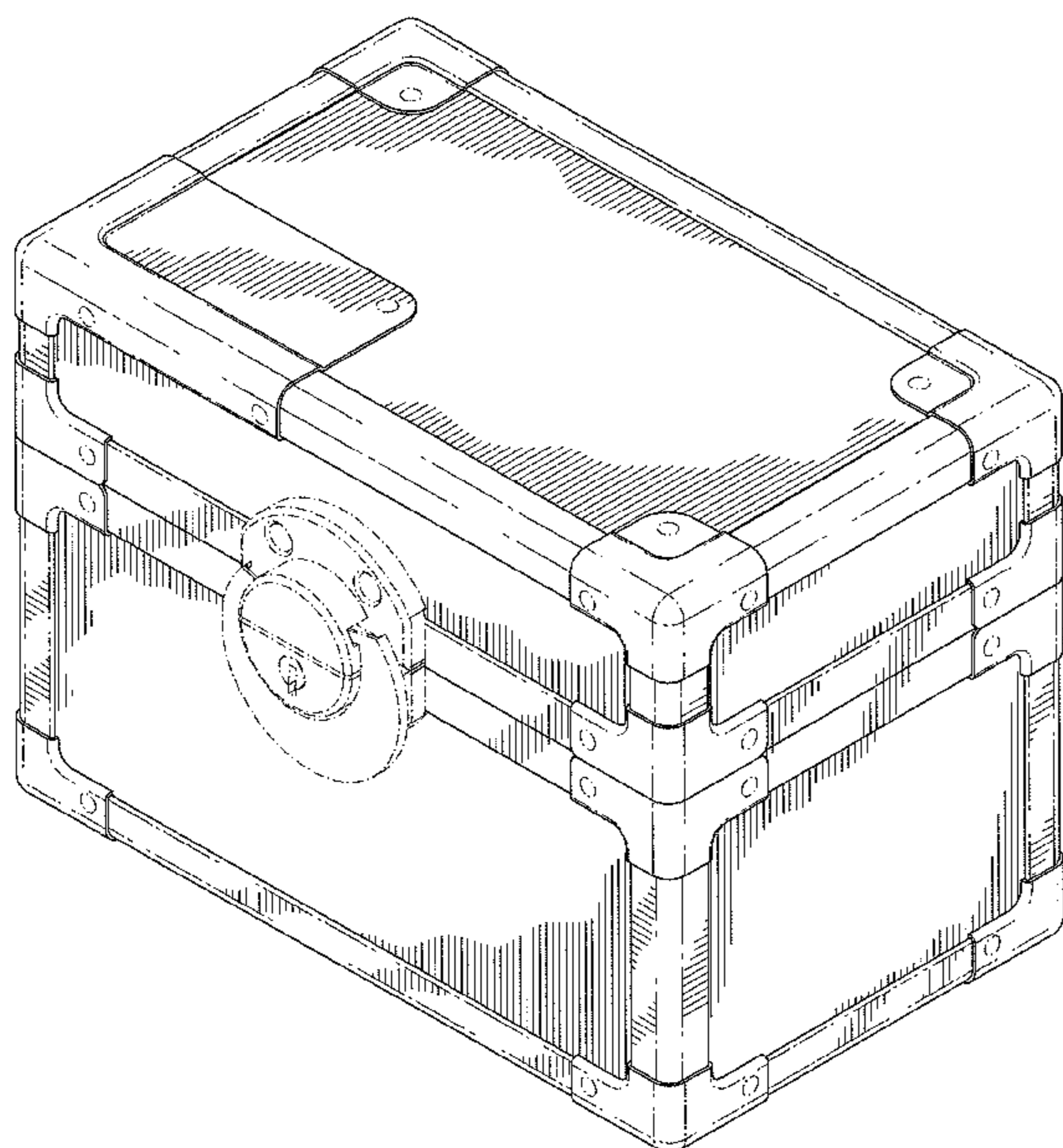
(57) **CLAIM**

The ornamental design for a closable box, as shown and described.

DESCRIPTION

FIG. 1 is a perspective view of an embodiment of a closable box;
 FIG. 2 is a front view of the closable box shown in FIG. 1;
 FIG. 3 is a back view of the closable box shown in FIG. 1;
 FIG. 4 is a left side view of the closable box shown in FIG. 1;
 FIG. 5 is a right side view of the closable box shown in FIG. 1;
 FIG. 6 is a top view of the closable box shown in FIG. 1;
 FIG. 7 is a bottom view of the closable box shown in FIG. 1;
 FIG. 8 is a perspective view of another exemplary embodiment of a closable box;
 FIG. 9 is a front view of the closable box shown in FIG. 8;
 FIG. 10 is a back view of the closable box shown in FIG. 8;
 FIG. 11 is a left side view of the closable box shown in FIG. 8;
 FIG. 12 is a right view of the closable box shown in FIG. 8;
 FIG. 13 is a top view of the closable box shown in FIG. 8; and,
 FIG. 14 is a bottom view of the closable box shown in FIG. 8.
 The phantom lines are provided for illustrative purposes only, and form no part of the claimed design.

1 Claim, 8 Drawing Sheets



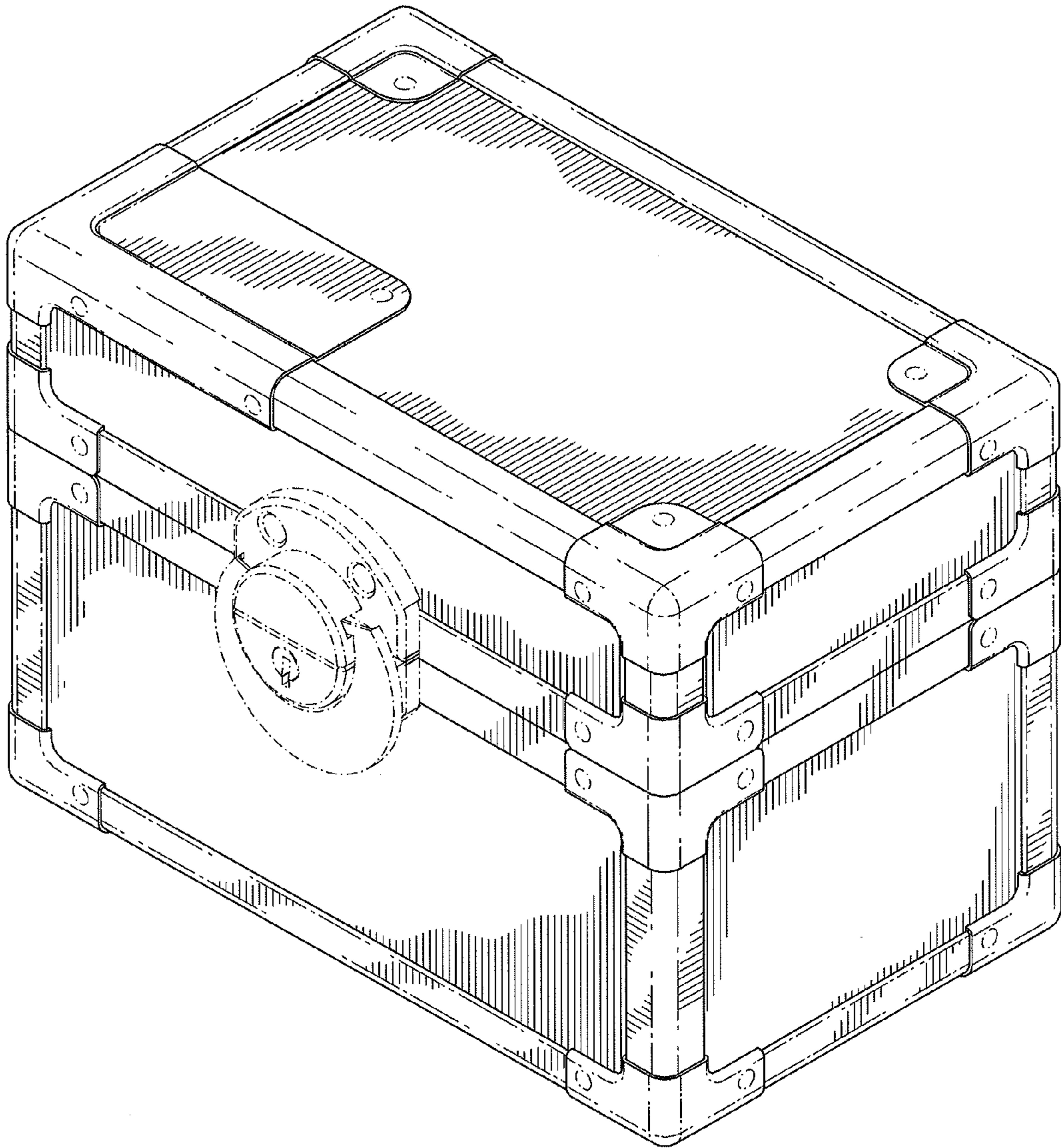


FIG. 1

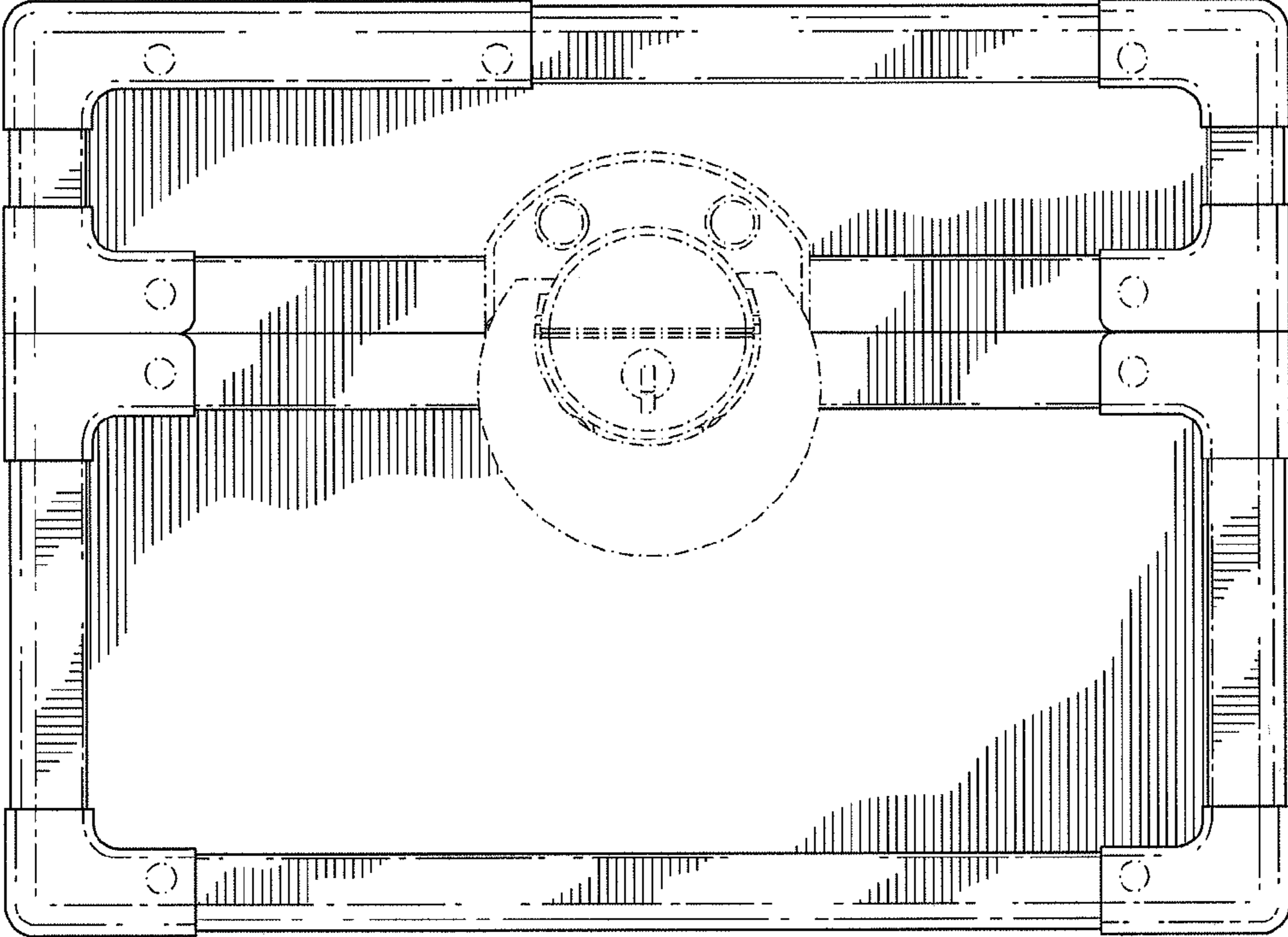


FIG. 2

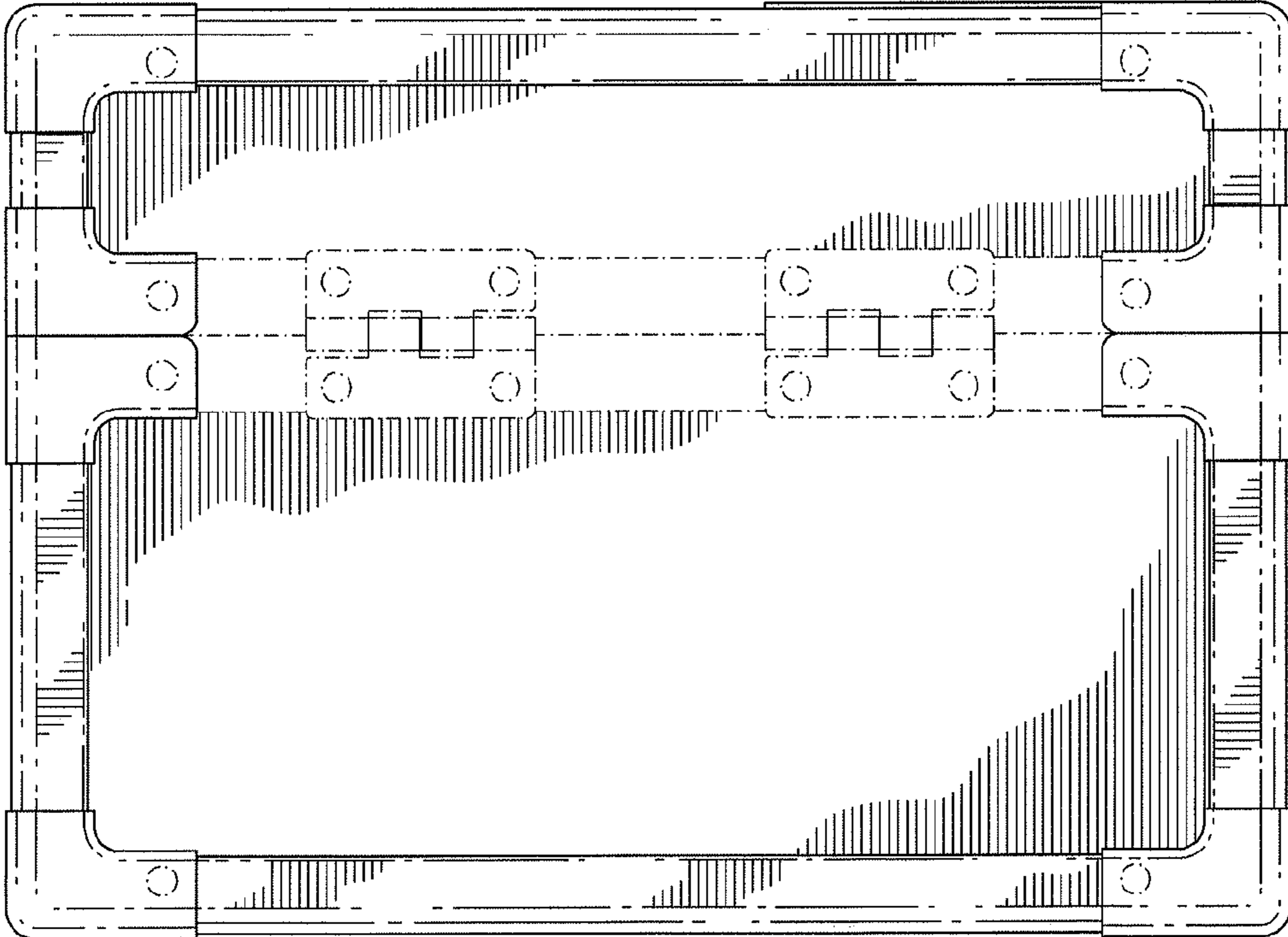


FIG. 3

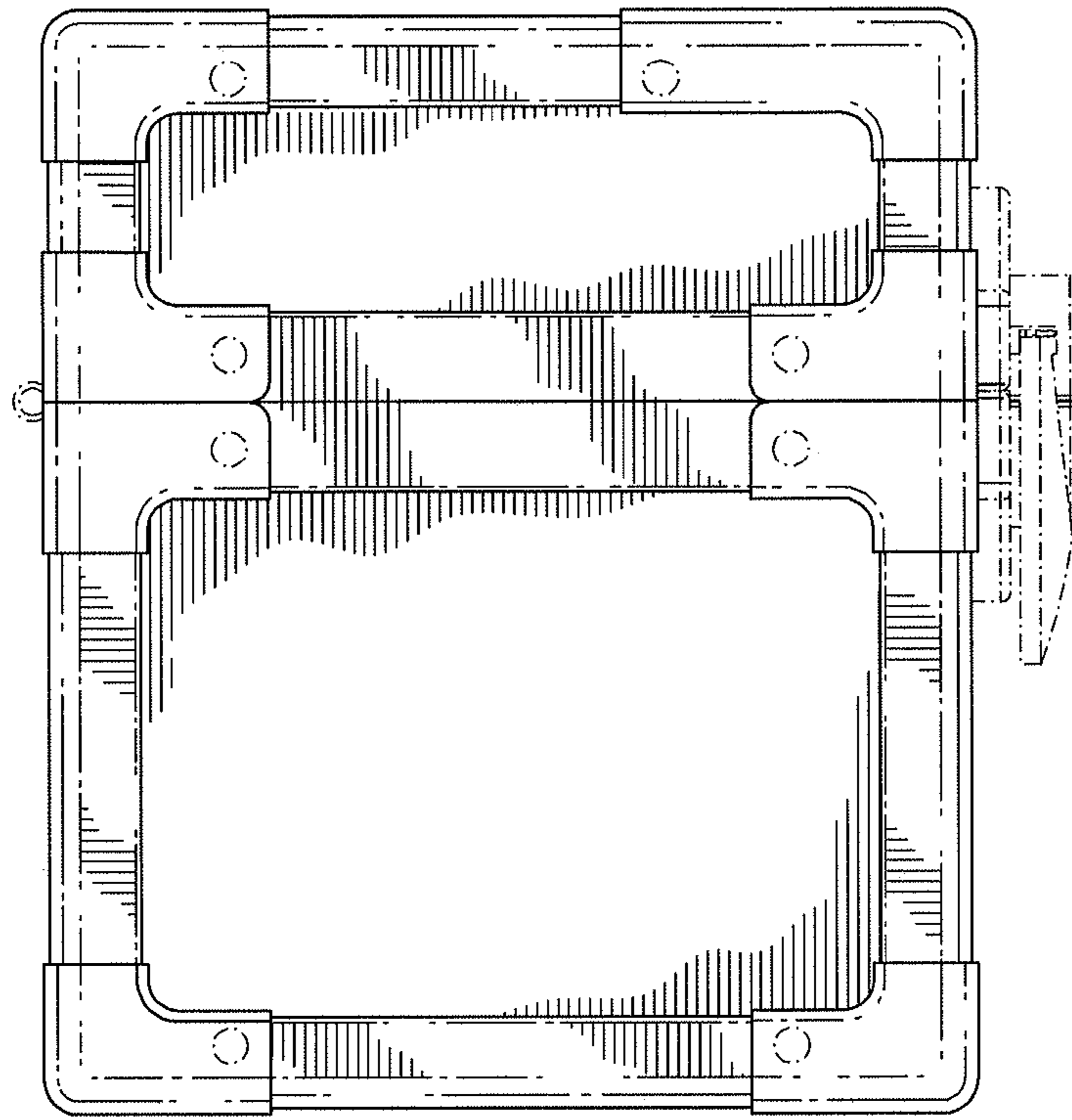


FIG. 4

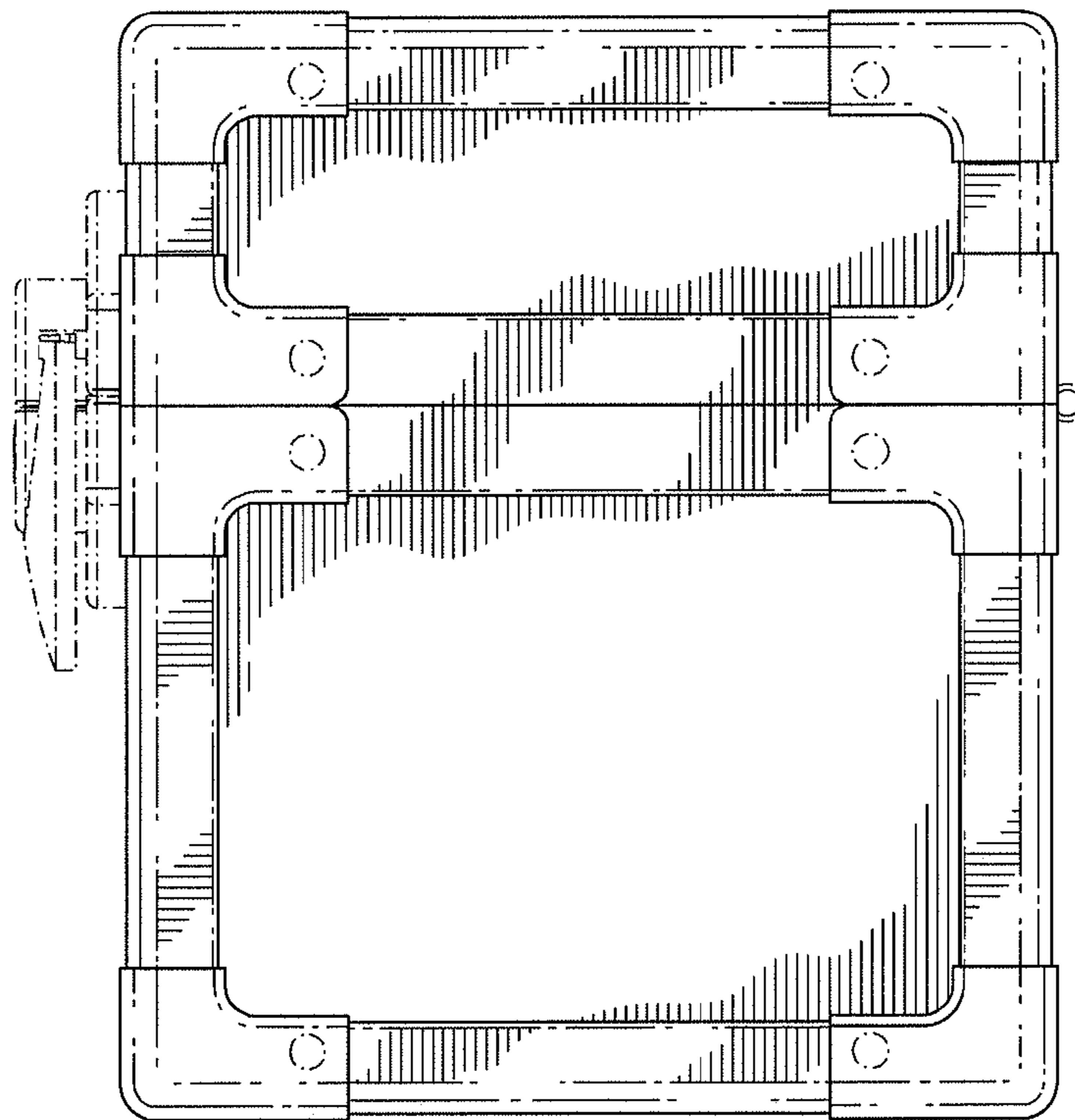


FIG. 5

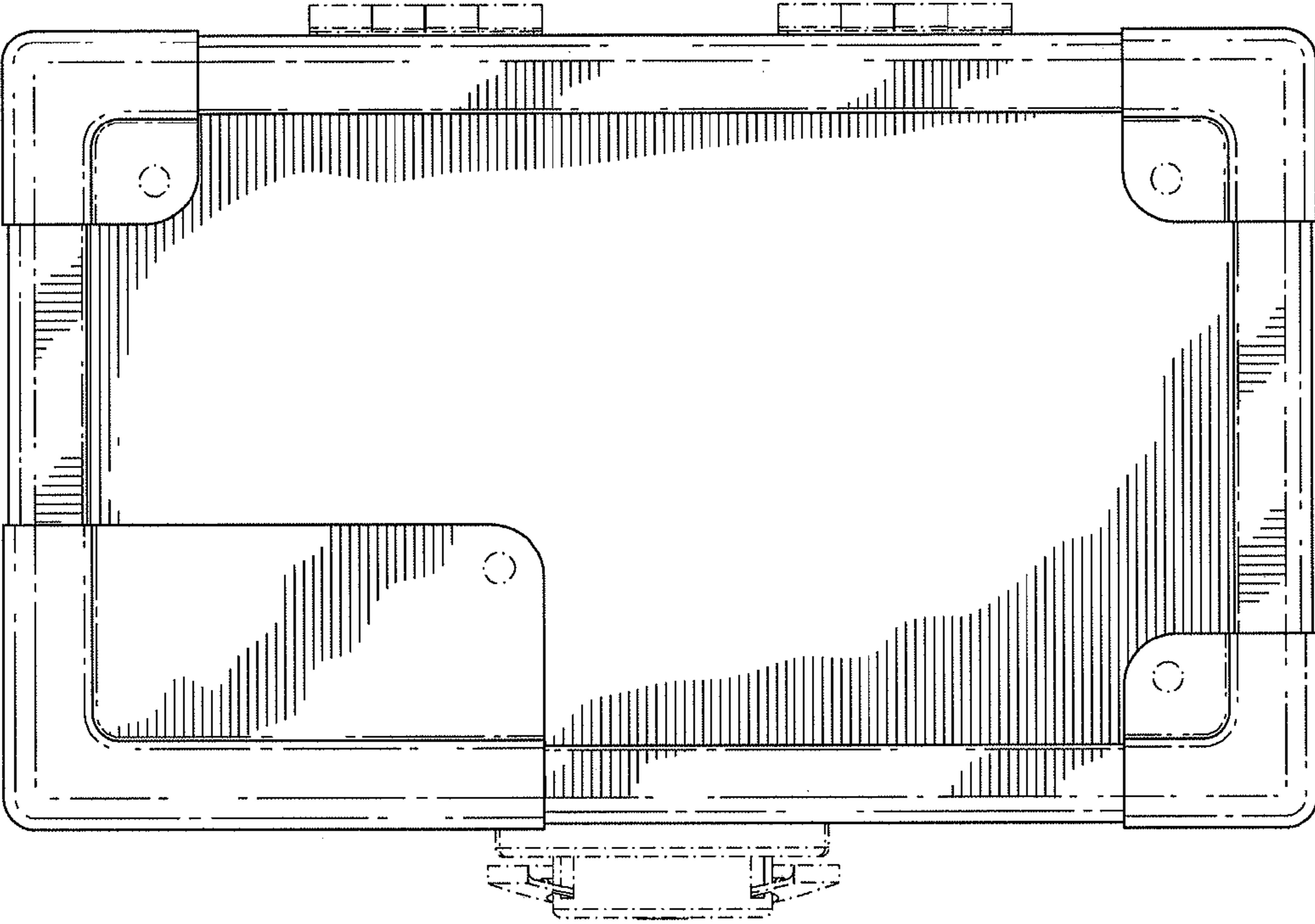


FIG. 6

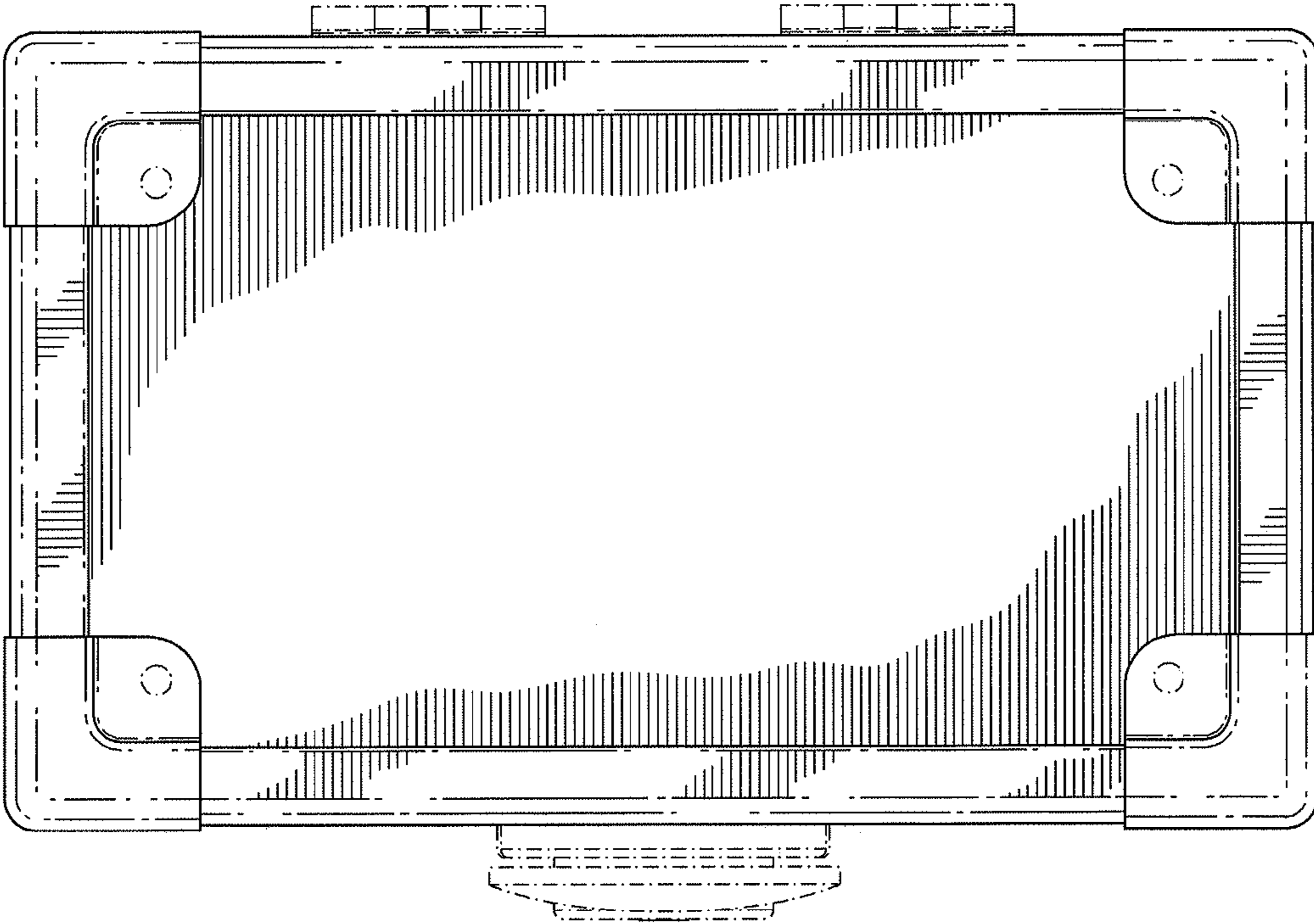


FIG. 7

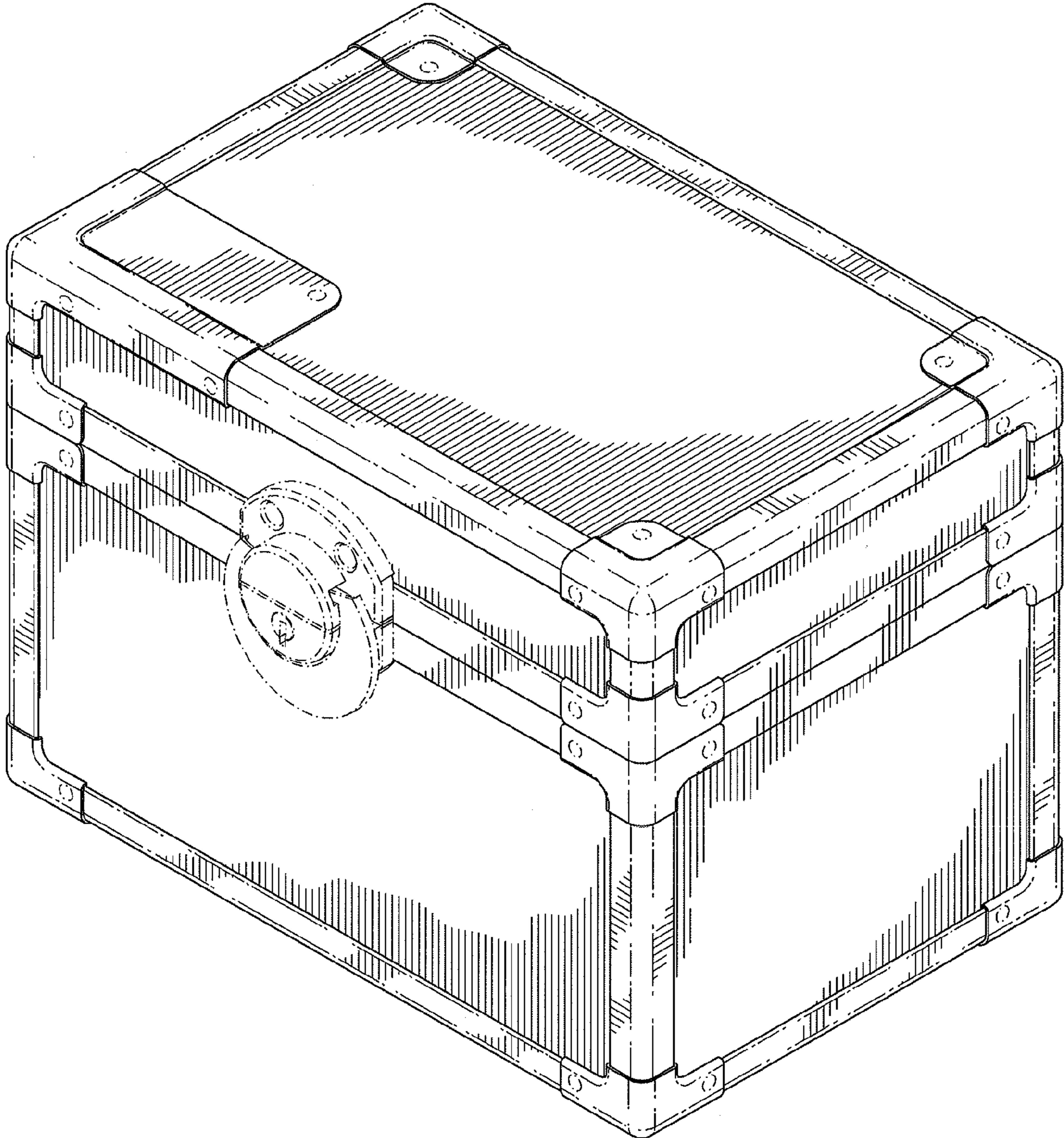


FIG.8

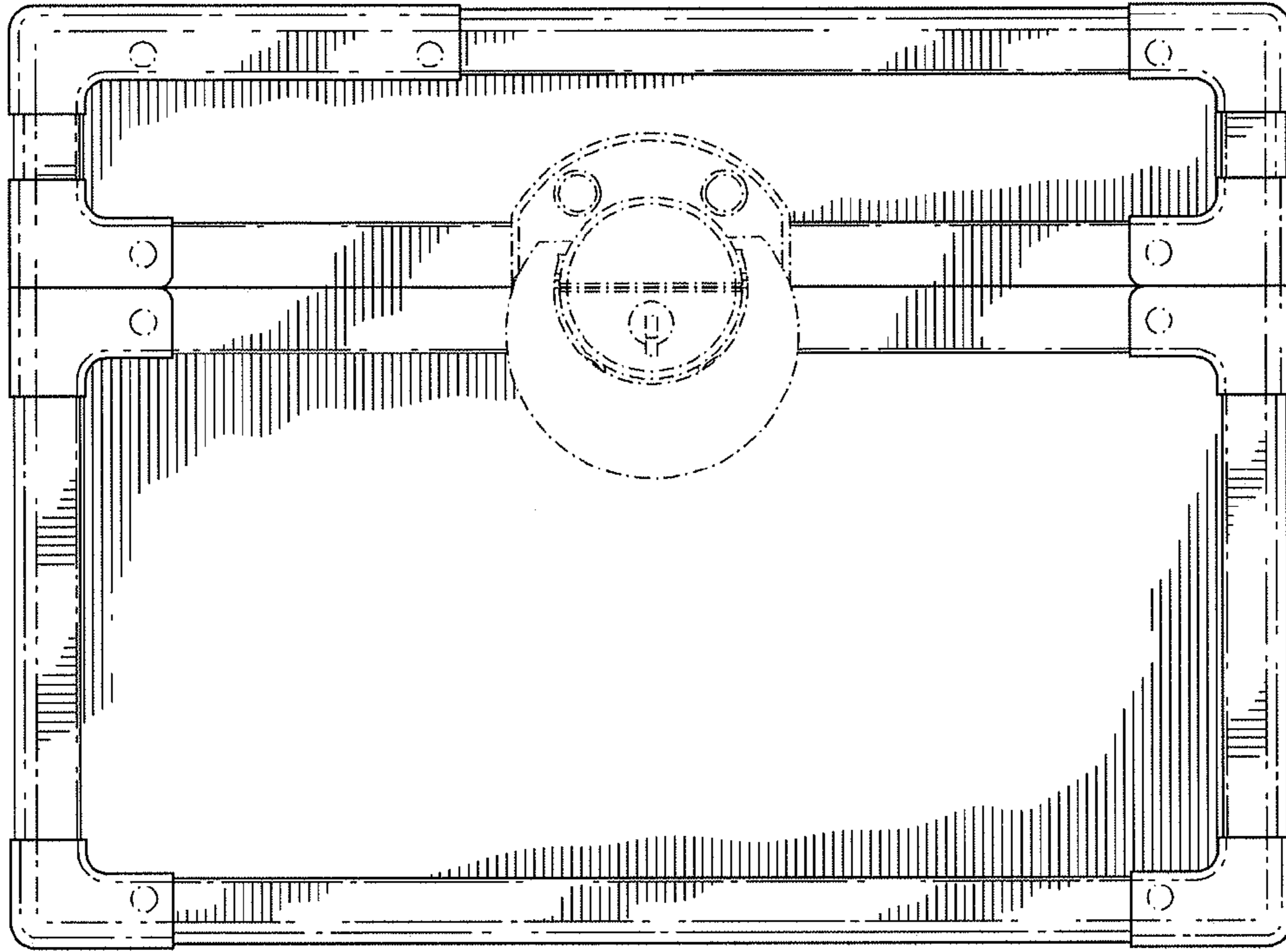


FIG. 9

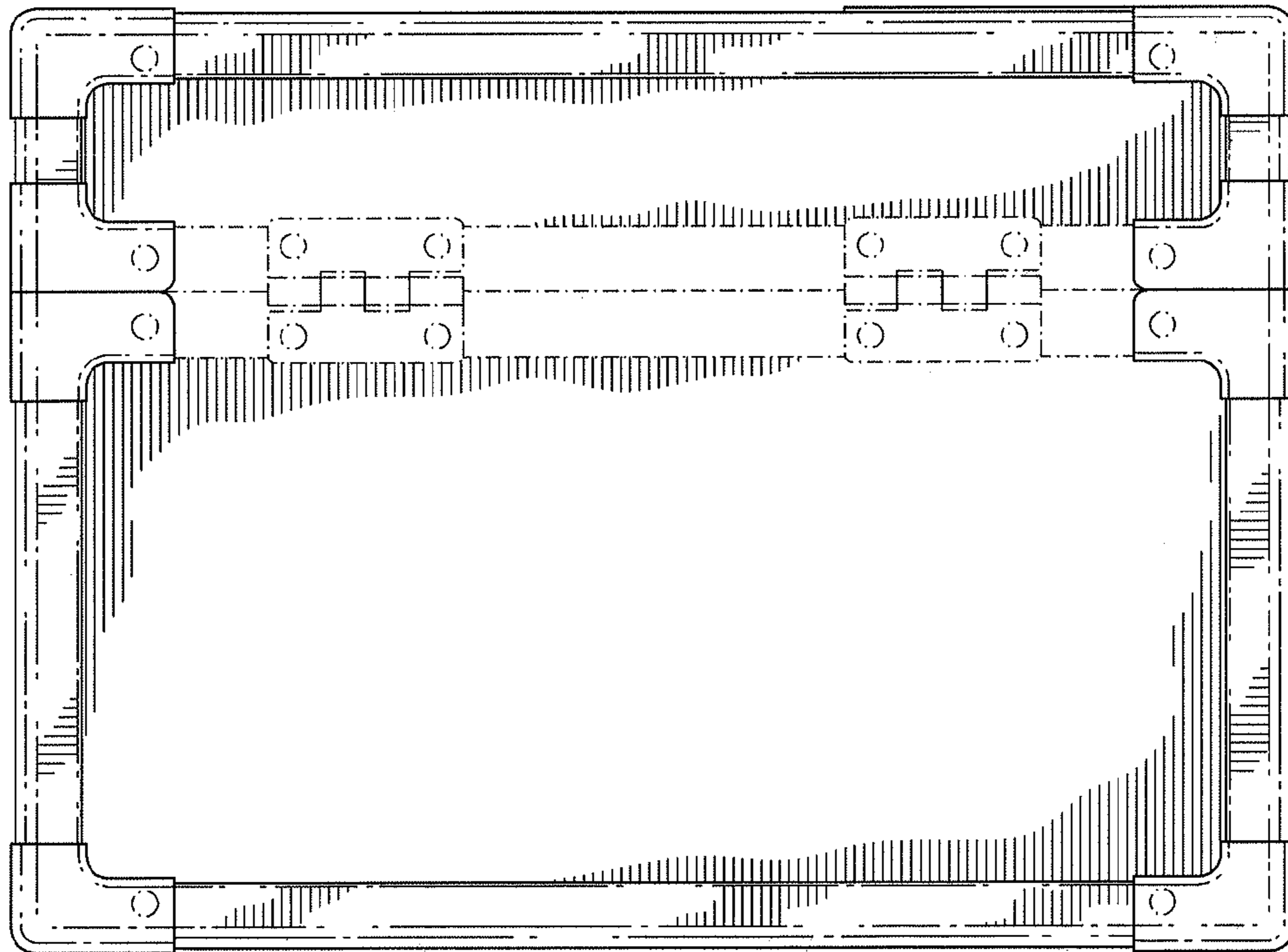


FIG. 10

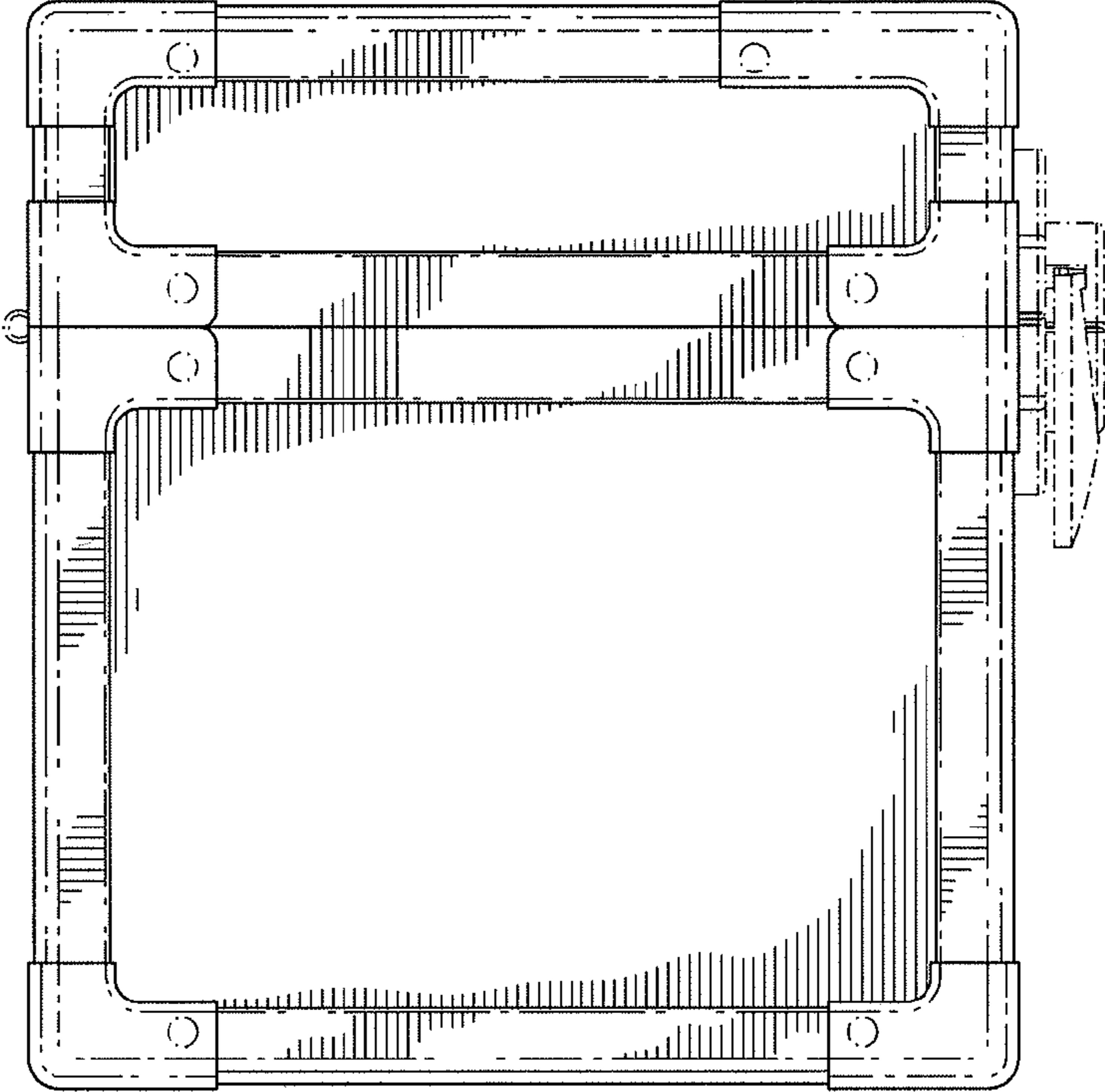


FIG. 11

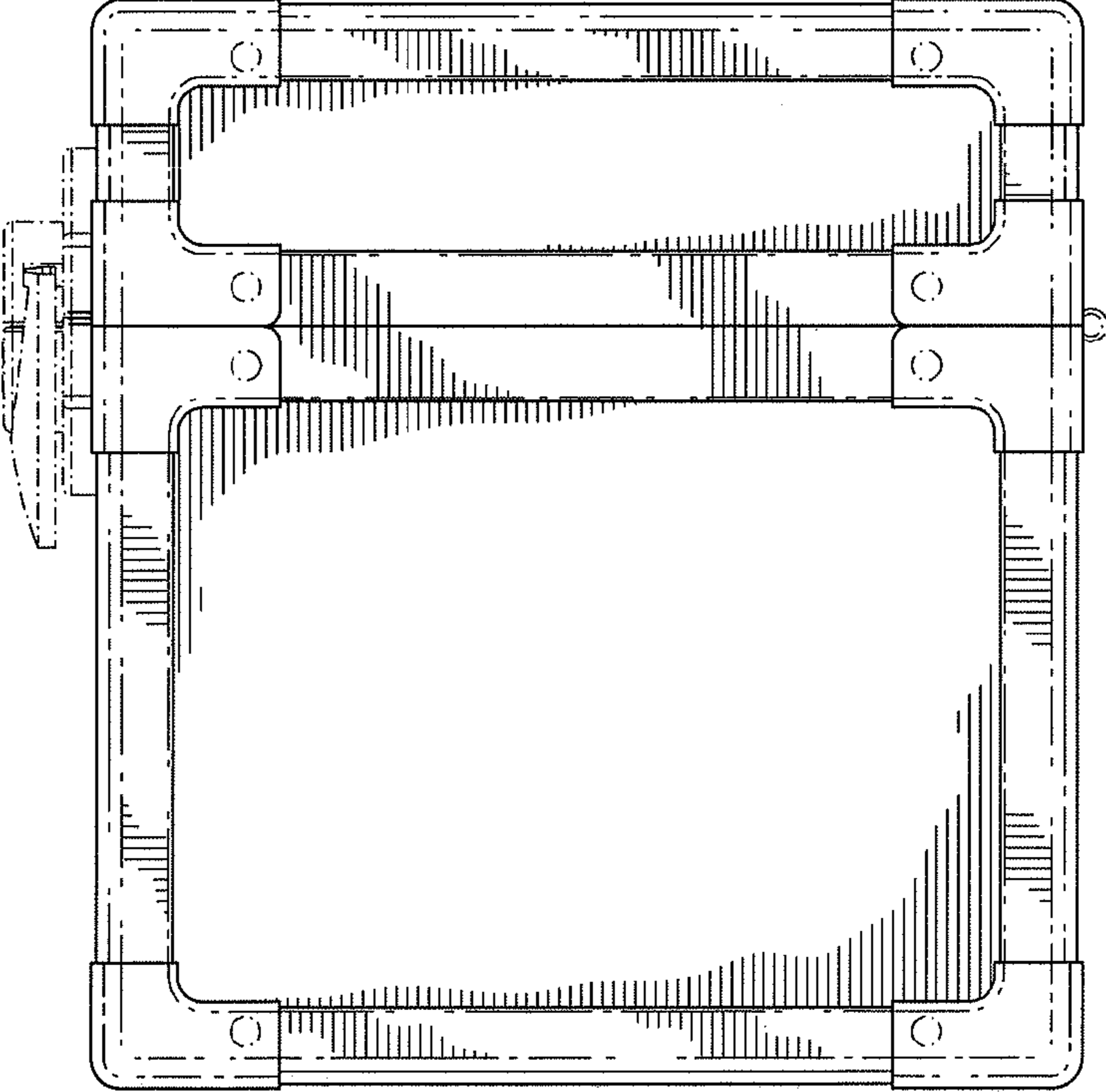


FIG. 12

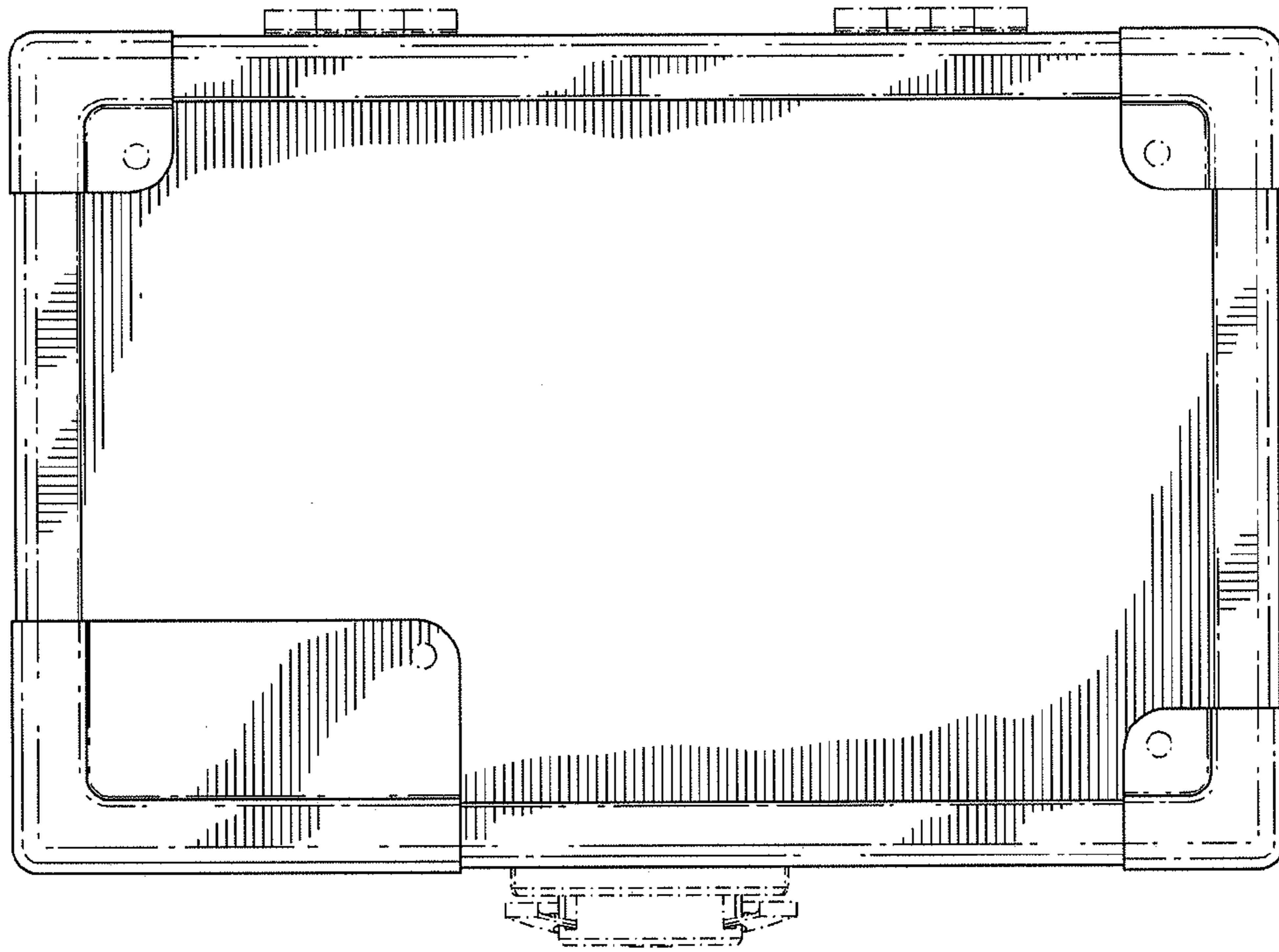


FIG. 13

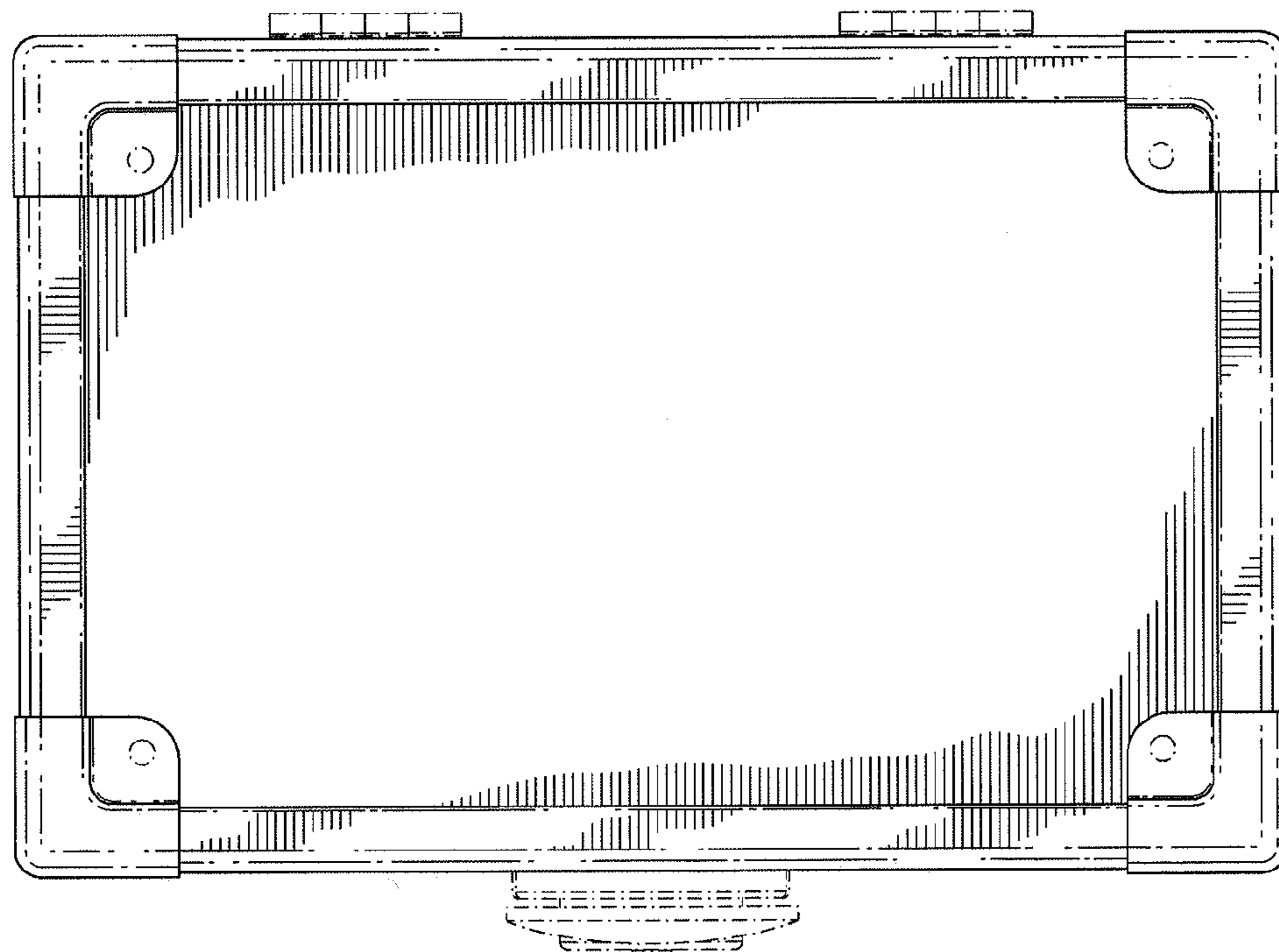


FIG. 14