



US00D677462S

(12) **United States Design Patent**
Hsu

(10) **Patent No.:** **US D677,462 S**
(45) **Date of Patent:** **** Mar. 12, 2013**

(54) **TOOL BOX**

(76) Inventor: **Shao-Hsien Hsu**, Taichung (TW)

(**) Term: **14 Years**

(21) Appl. No.: **29/431,075**

(22) Filed: **Sep. 3, 2012**

(51) **LOC (9) Cl.** **03-01**

(52) **U.S. Cl.** **D3/228; D3/294**

(58) **Field of Classification Search** D3/228,
D3/201, 205, 273, 281, 294, 302, 315; 224/240-241,
224/667, 901, 904; 206/372-379
See application file for complete search history.

(56) **References Cited**

U.S. PATENT DOCUMENTS

D502,598 S * 3/2005 Chen D3/273
D613,945 S * 4/2010 Molina D3/294
D668,040 S * 10/2012 Chen et al. D3/228

D668,875 S * 10/2012 Meng D3/294

* cited by examiner

Primary Examiner — Catheri Oliver-Garcia

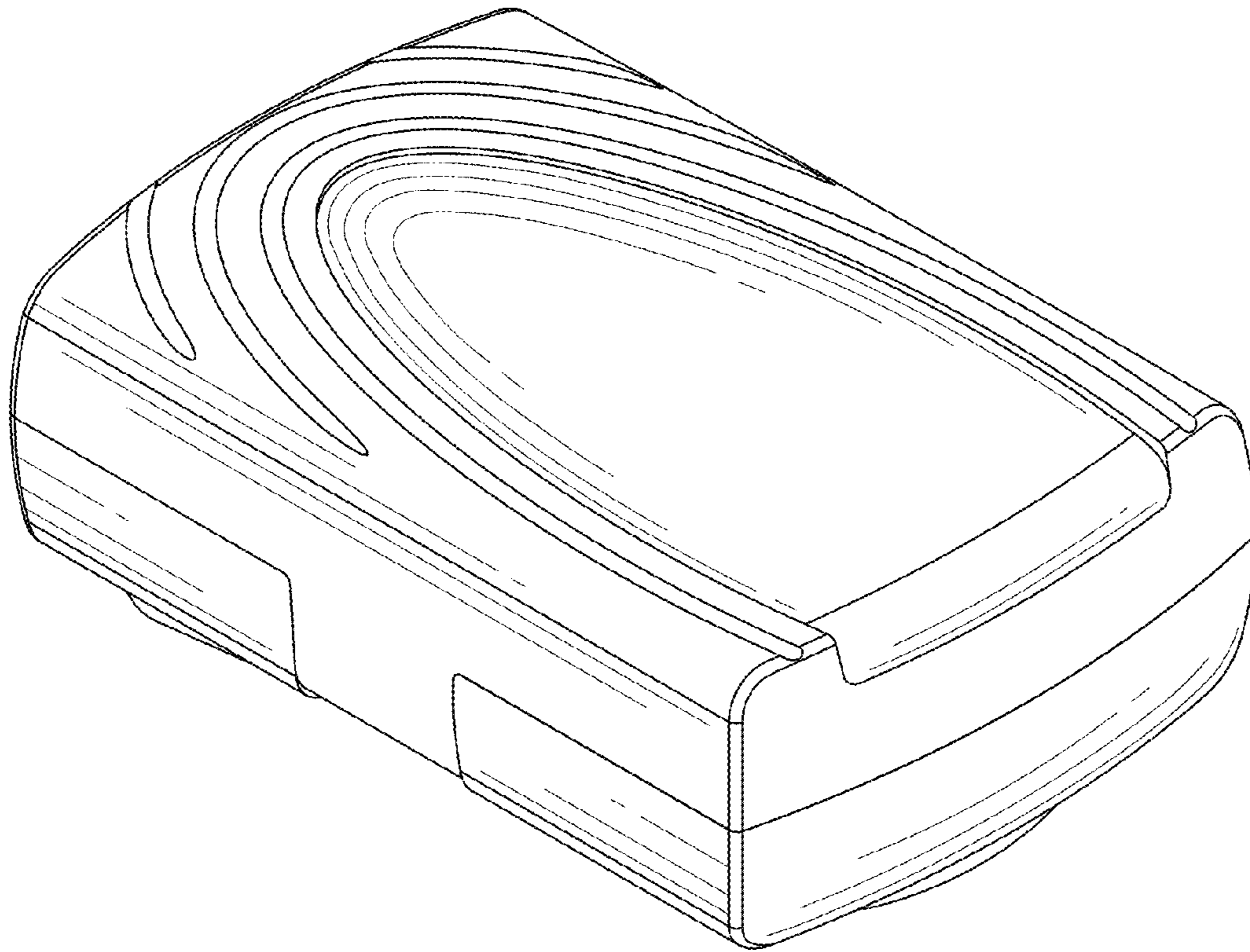
(57) **CLAIM**

The ornamental design for a tool box, as shown and described.

DESCRIPTION

FIG. 1 is a perspective view of a tool box showing my new design;
FIG. 2 is a front elevational view thereof;
FIG. 3 is a rear elevational view thereof;
FIG. 4 is a left side view thereof;
FIG. 5 is a right side view thereof;
FIG. 6 is a top plan view thereof;
FIG. 7 is a bottom plan view thereof; and,
FIG. 8 is another perspective view thereof.

1 Claim, 6 Drawing Sheets



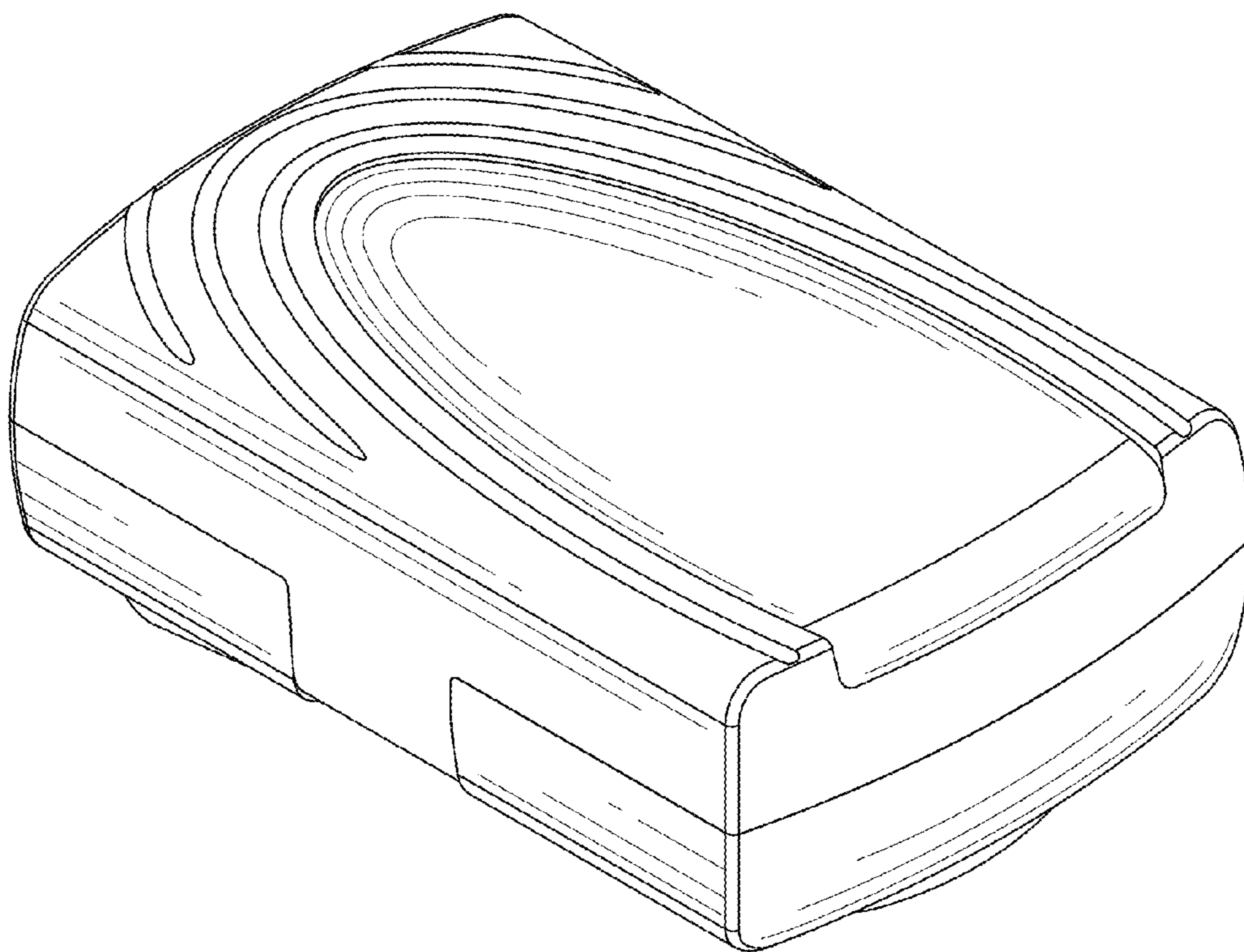


FIG. 1

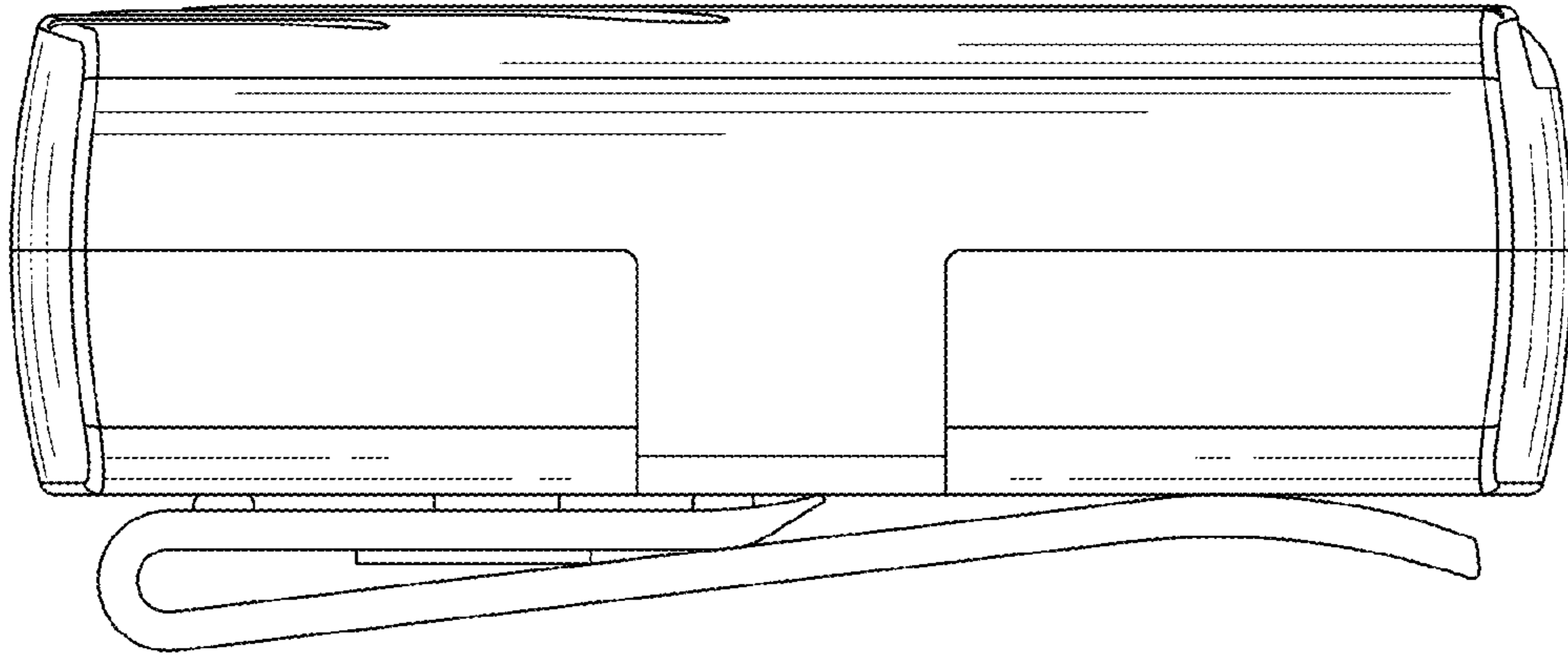


FIG. 2

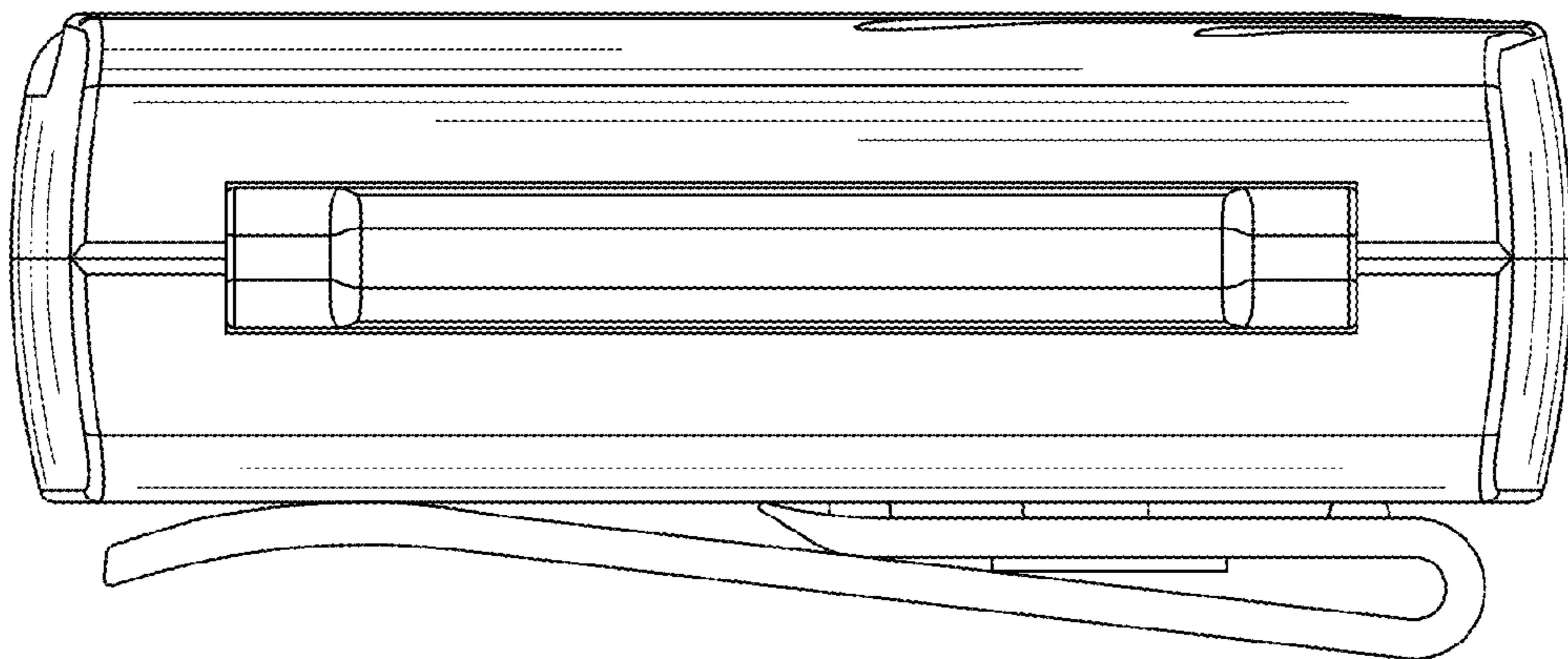


FIG. 3

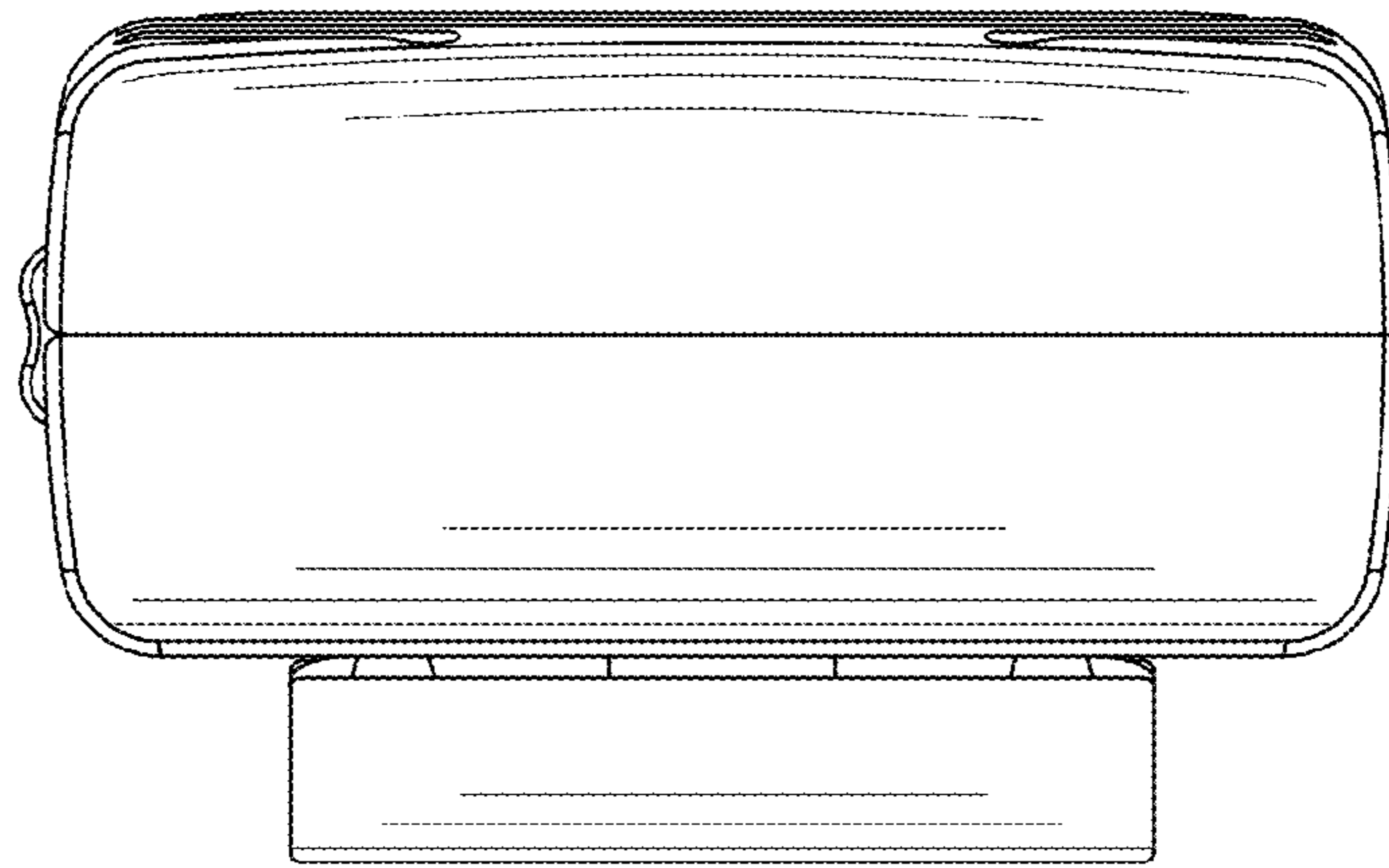


FIG. 4

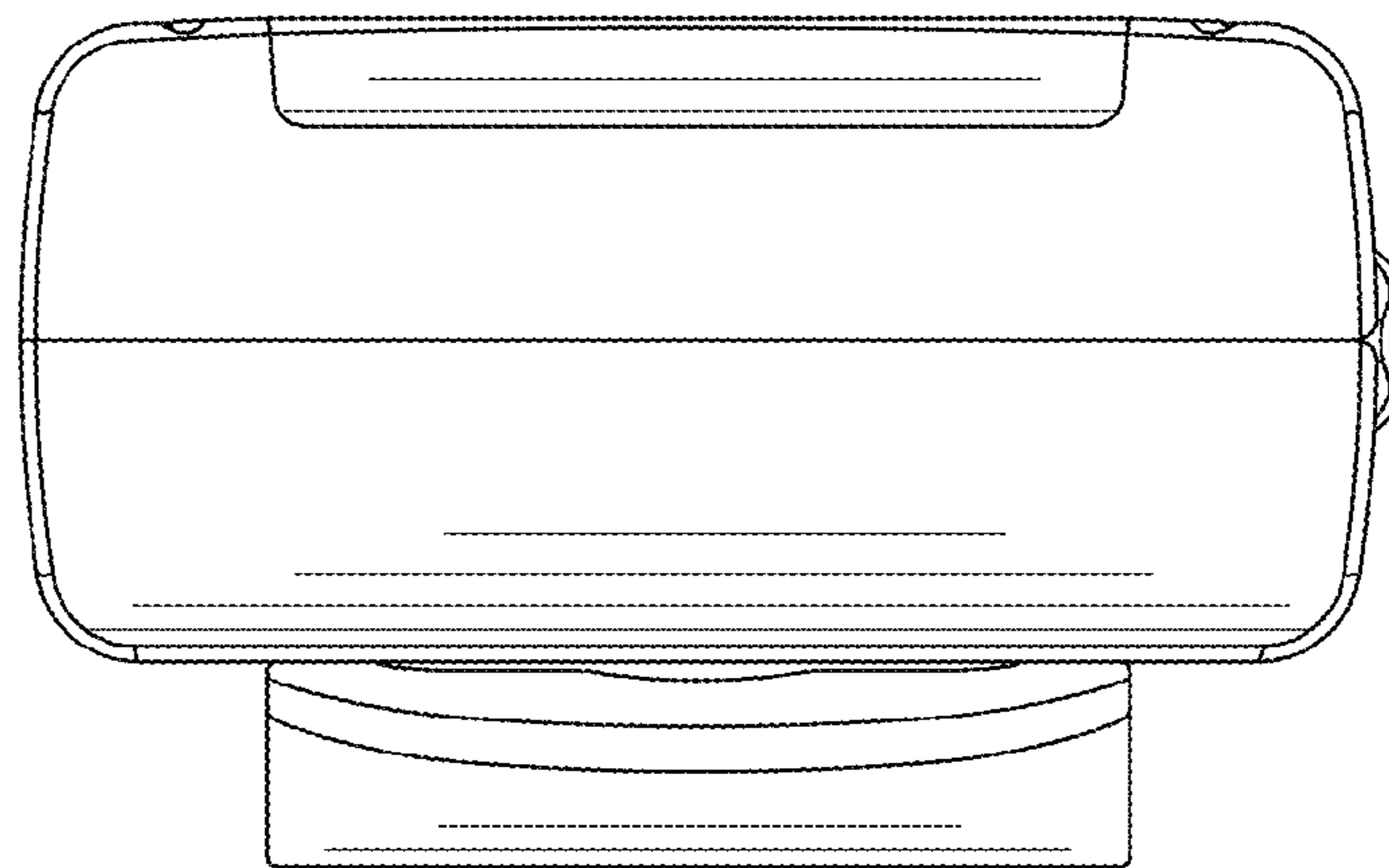


FIG. 5

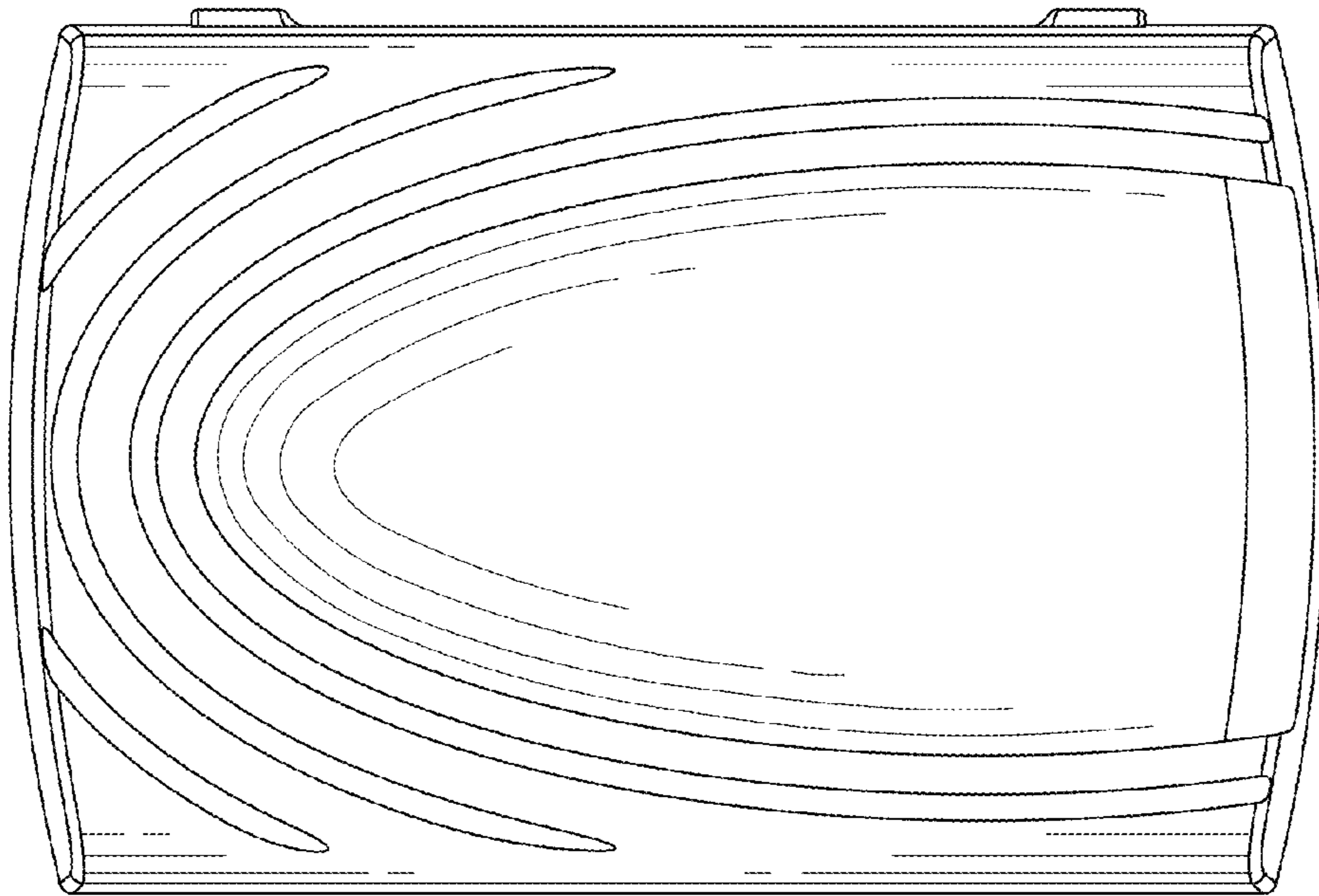


FIG. 6

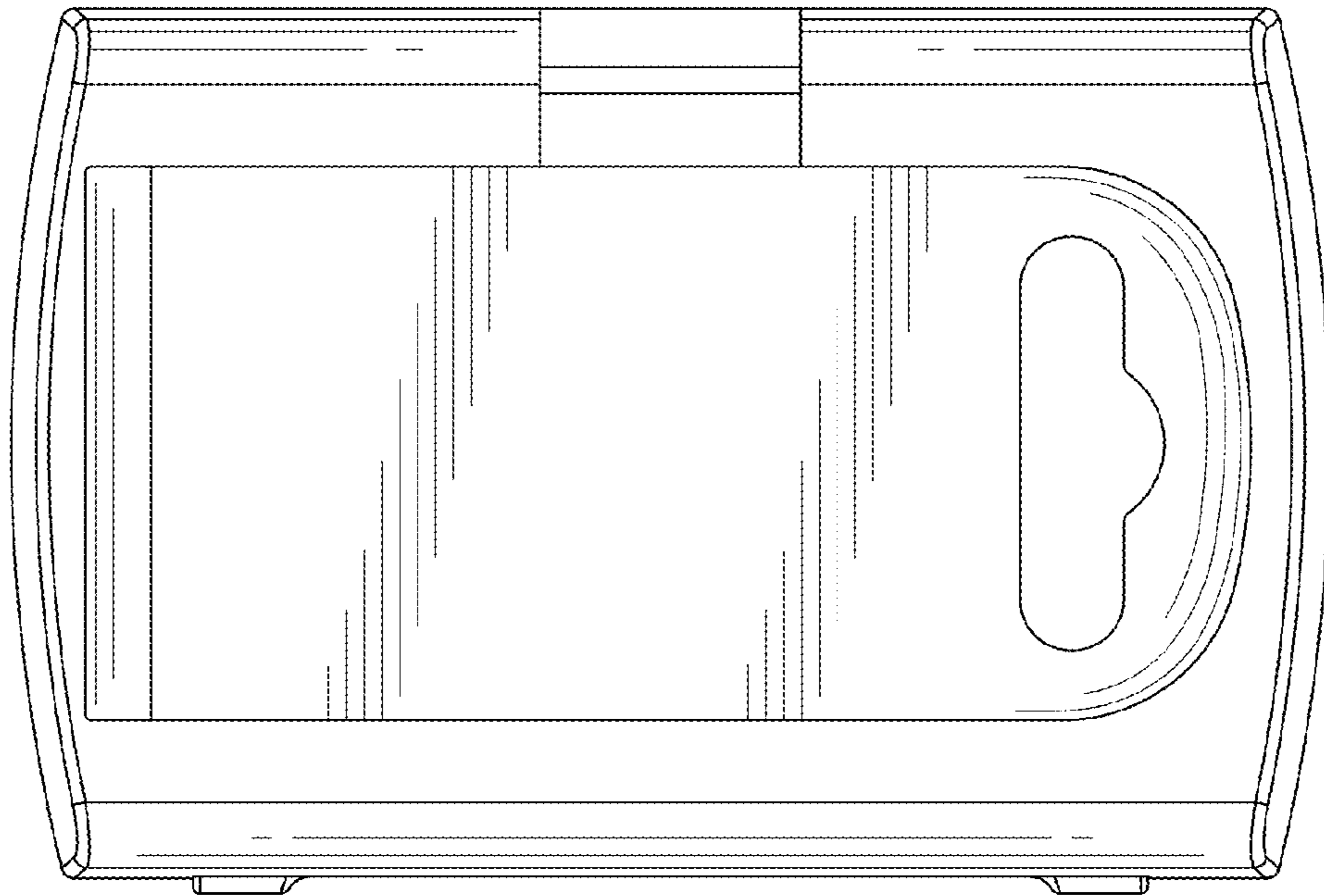


FIG. 7

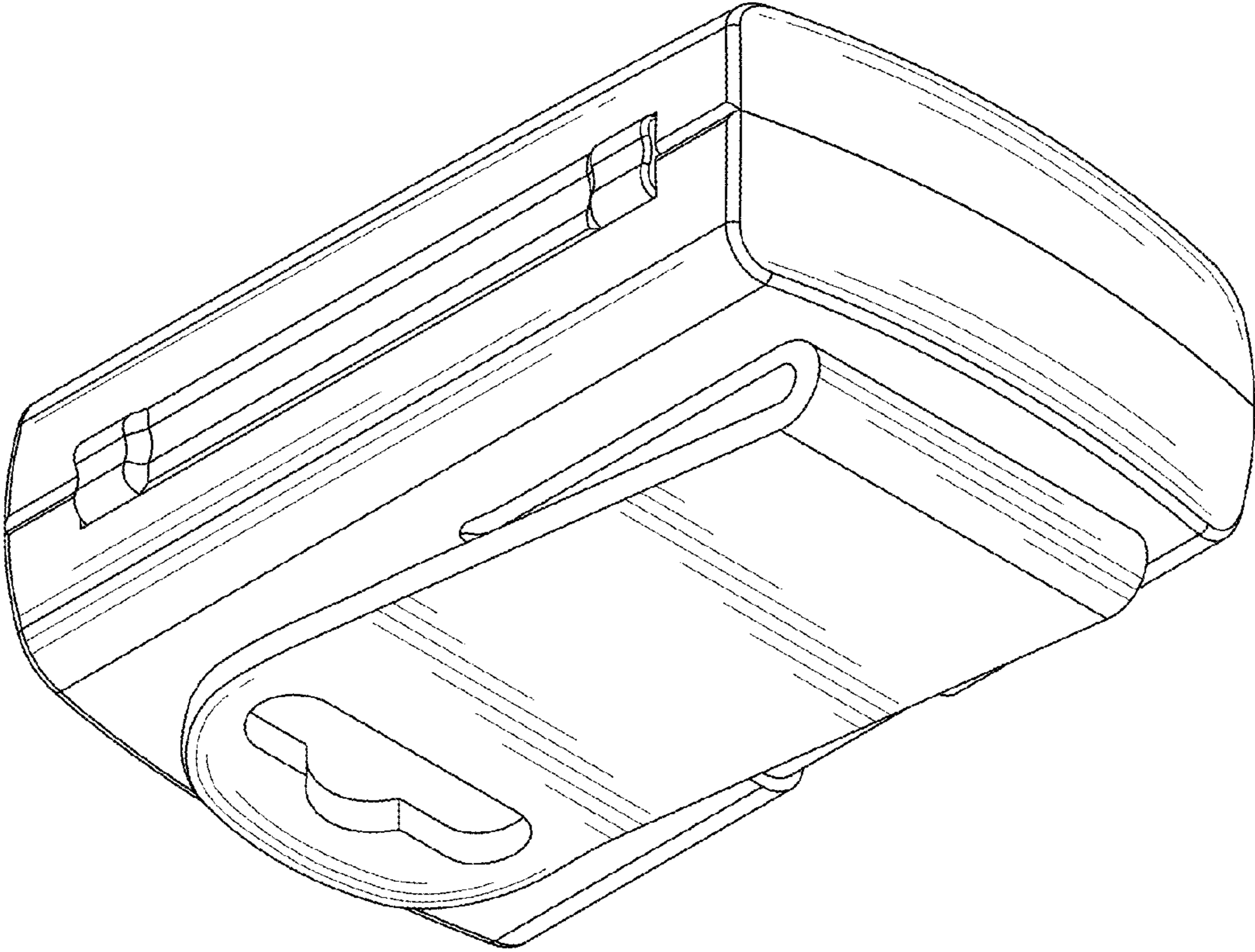


FIG. 8