



US00D677456S

(12) **United States Design Patent**  
**Knight et al.**

(10) **Patent No.:** **US D677,456 S**  
(45) **Date of Patent:** **\*\* Mar. 12, 2013**

(54) **SELF-ADHESIVE PAD FOR FOOTWEAR**

(76) Inventors: **Kim Knight**, Waldorf, MD (US); **Lisa Knight**, Waldorf, MD (US)

(\*\*) Term: **14 Years**

(21) Appl. No.: **29/414,872**

(22) Filed: **Mar. 5, 2012**

**Related U.S. Application Data**

(63) Continuation-in-part of application No. 12/148,658, filed on Apr. 21, 2008, now abandoned.

(51) **LOC (9) Cl.** ..... **02-04**

(52) **U.S. Cl.** ..... **D2/961**

(58) **Field of Classification Search** ..... D2/914,  
D2/946-962; 36/43, 44, 71, 88, 91-94, 100,  
36/101, 126, 136, 145, 154, 173  
See application file for complete search history.

(56) **References Cited**

**U.S. PATENT DOCUMENTS**

2,292,556	A *	8/1942	Whitman	.....	36/71
D204,596	S *	5/1966	Anson	.....	D2/961
D270,965	S *	10/1983	Pritt	.....	D2/961
D294,537	S *	3/1988	Le	.....	D2/960
D300,084	S *	3/1989	Ito et al.	.....	D2/961
5,154,682	A *	10/1992	Kellerman	.....	36/44
5,740,618	A *	4/1998	Minden	.....	36/8.3
5,799,415	A *	9/1998	Kenji et al.	.....	36/44
6,349,487	B1 *	2/2002	Hice	.....	36/140
D483,556	S *	12/2003	Zehr	.....	D2/961
D505,537	S *	5/2005	Friedman	.....	D2/961
D554,832	S *	11/2007	Wawer et al.	.....	D2/914
D556,990	S *	12/2007	Cabados	.....	D2/961
7,329,448	B2 *	2/2008	Cunningham	.....	428/40.1
D580,639	S *	11/2008	Wurzburg	.....	D2/961
D580,640	S *	11/2008	Wurzburg	.....	D2/961
D606,292	S *	12/2009	Ong	.....	D2/947

D619,795	S *	7/2010	McBride	.....	D2/961
D619,796	S *	7/2010	Chiang	.....	D2/961
D640,451	S *	6/2011	Chang	.....	D2/917
D656,302	S *	3/2012	Driggers	.....	D2/946
D657,746	S *	4/2012	Utudjian	.....	D13/154
2006/0210751	A1 *	9/2006	Cunningham	.....	428/40.1

\* cited by examiner

*Primary Examiner* — Keli L Hill

(74) *Attorney, Agent, or Firm* — Montgomery Patent & Design LLC; Robert C. Montgomery

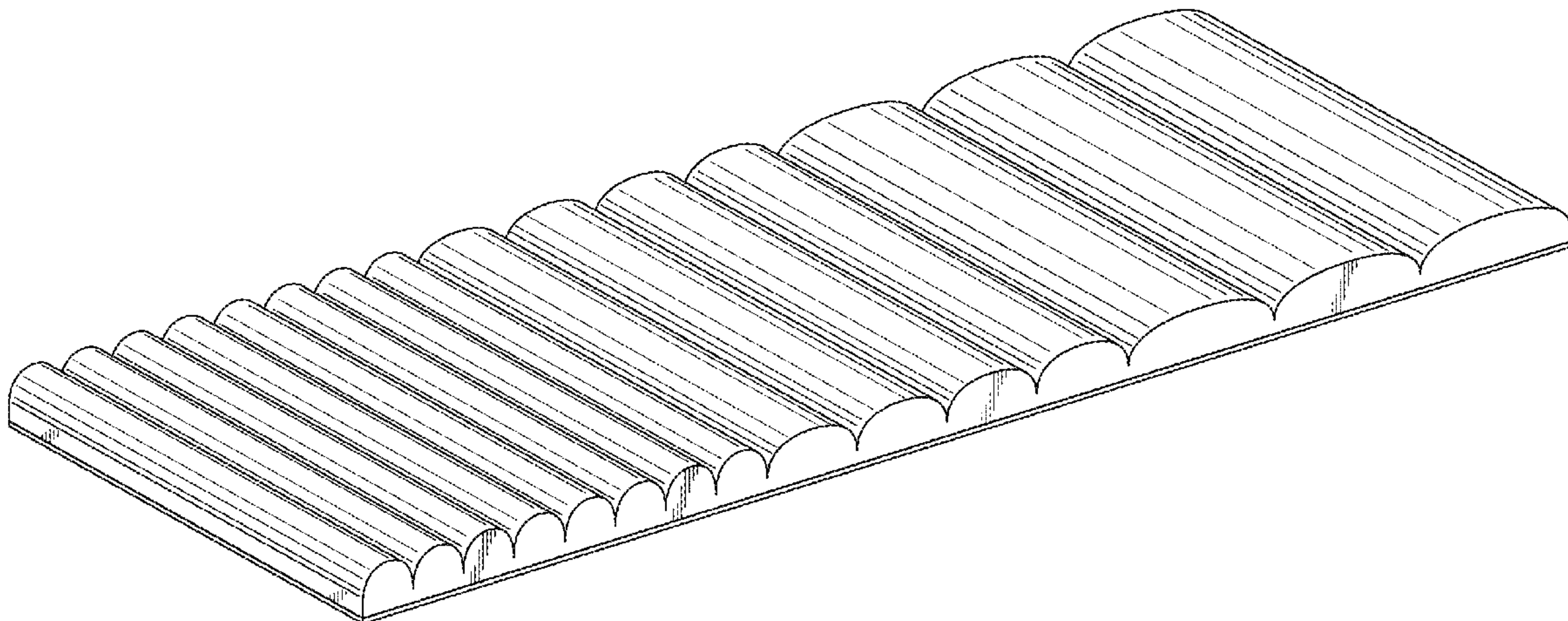
(57) **CLAIM**

The ornamental design for a self-adhesive pad for footwear, as shown and described.

**DESCRIPTION**

FIG. 1 is a perspective side view of a self-adhesive pad for footwear, showing our new design;  
 FIG. 2 is a front view thereof;  
 FIG. 3 is a rear view thereof;  
 FIG. 4 is a left side view thereof with a right side view being a mirror image;  
 FIG. 5 is a top view thereof;  
 FIG. 6 is a bottom view thereof;  
 FIG. 7 is an exploded side perspective view of the self-adhesive pad for footwear with a peel-away layer removed;  
 FIG. 8 is front view thereof;  
 FIG. 9 is a rear view thereof;  
 FIG. 10 is a left side view thereof with a right side view being a mirror image;  
 FIG. 11 is a top view thereof; and,  
 FIG. 12 is a bottom view thereof.  
 The stippling shown in the FIG. 12 drawing view represents a contrasting surface.

**1 Claim, 10 Drawing Sheets**



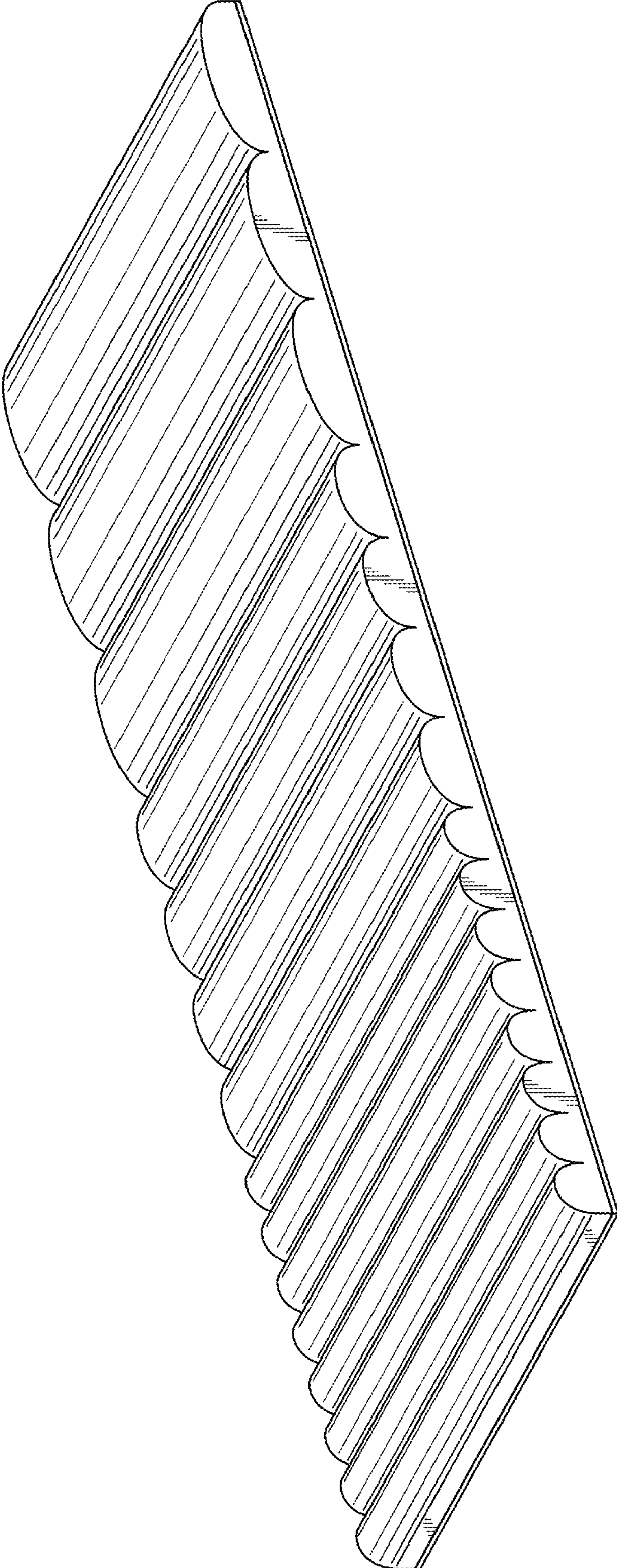


Fig. 1



Fig. 2

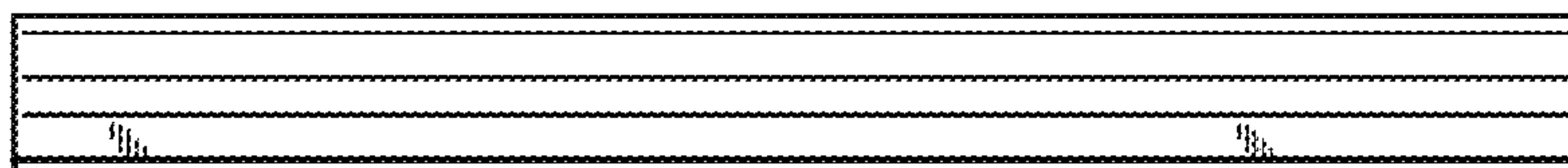


Fig. 3





Fig. 4

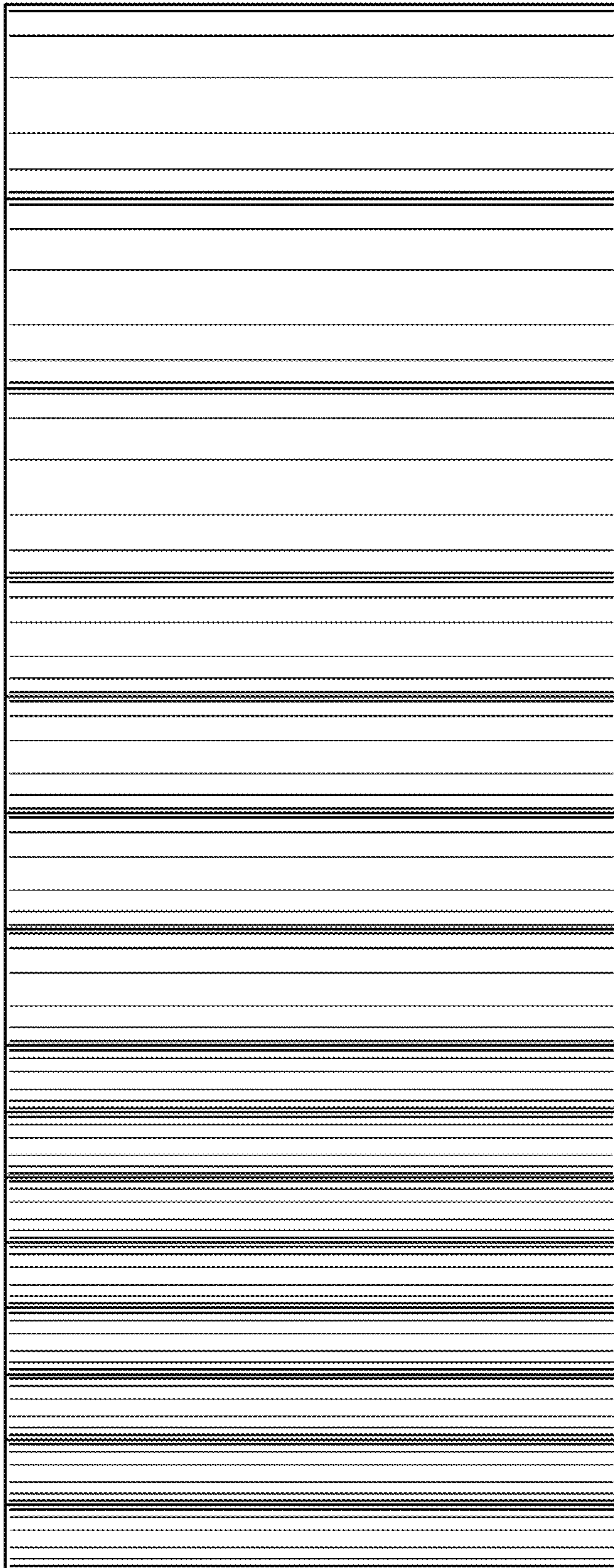


Fig. 5

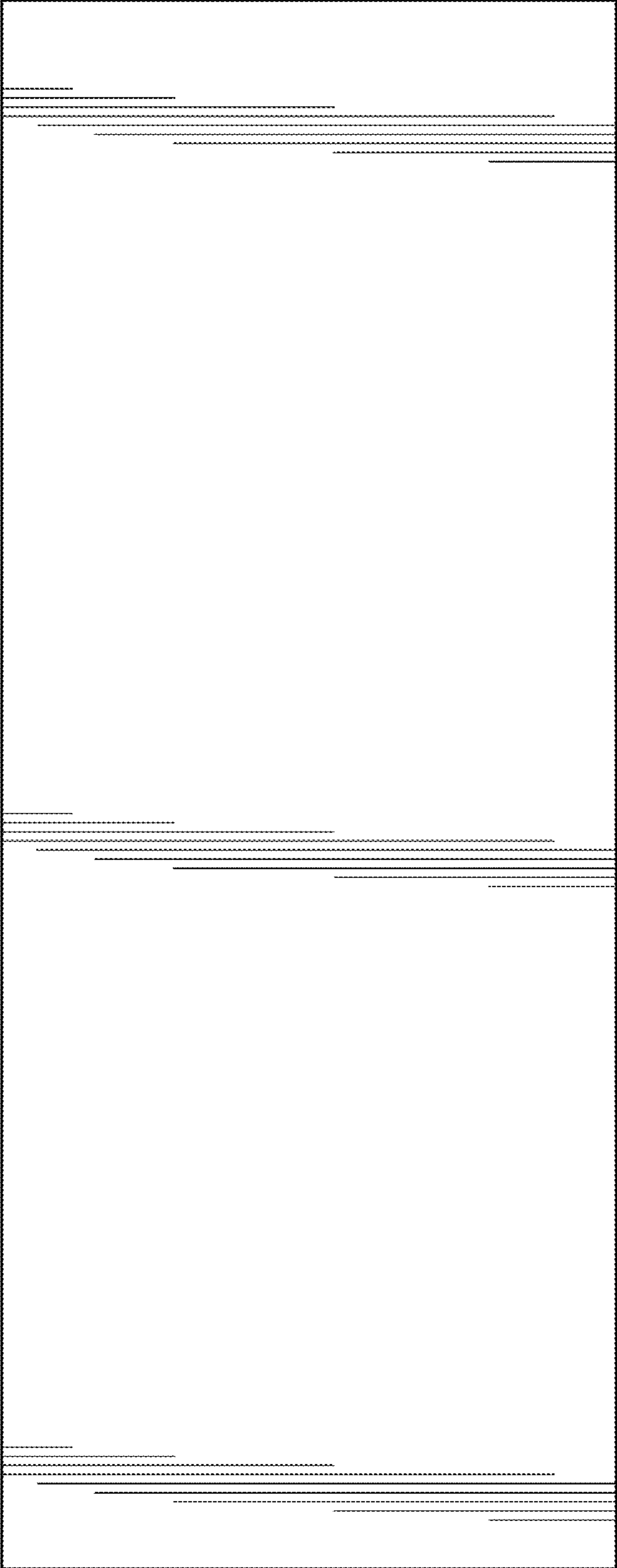


Fig. 6

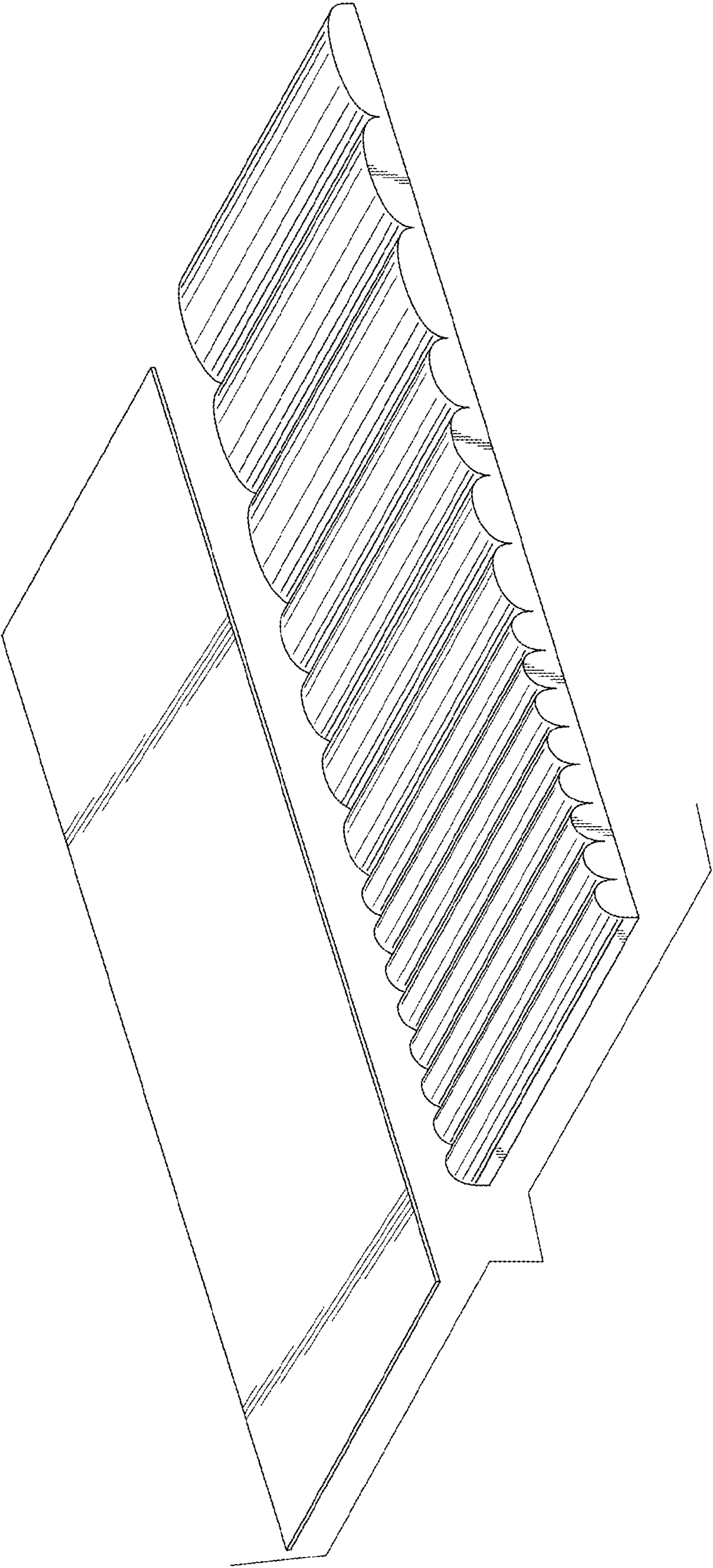


Fig. 7

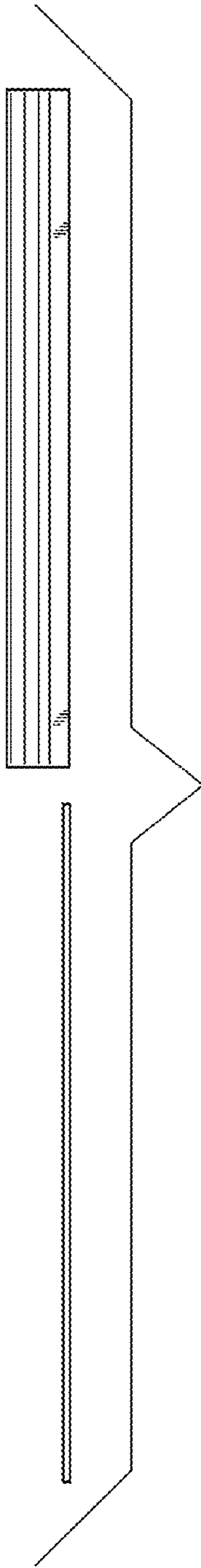


Fig. 8

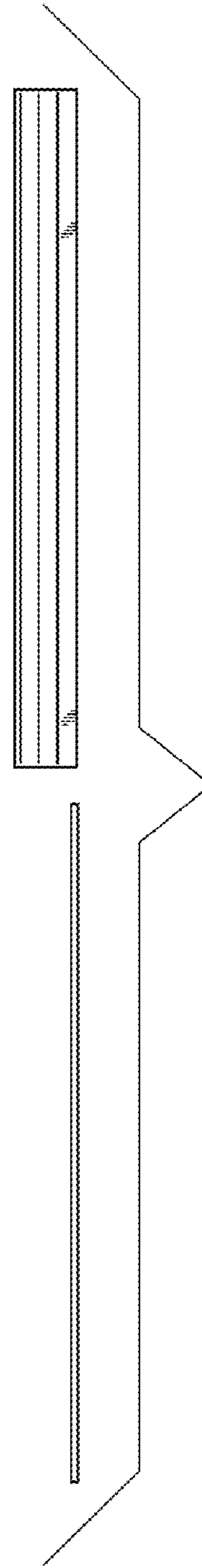


Fig. 9



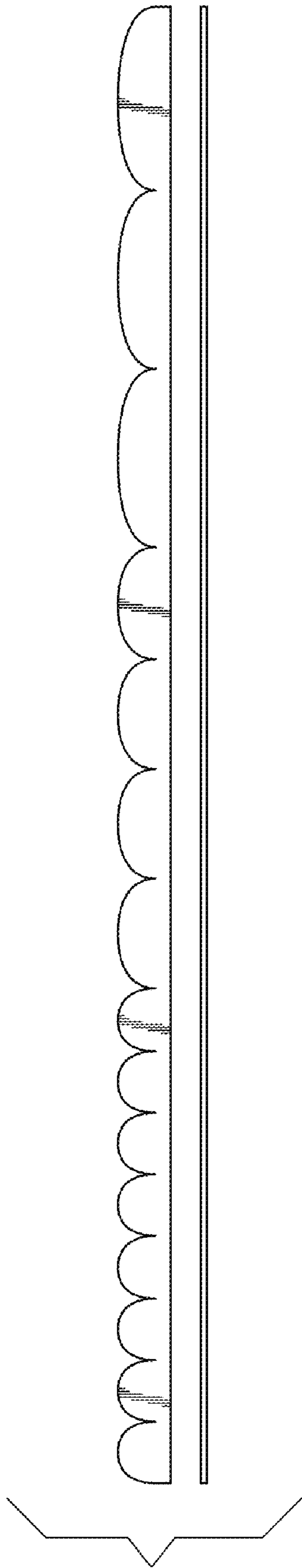


Fig. 10

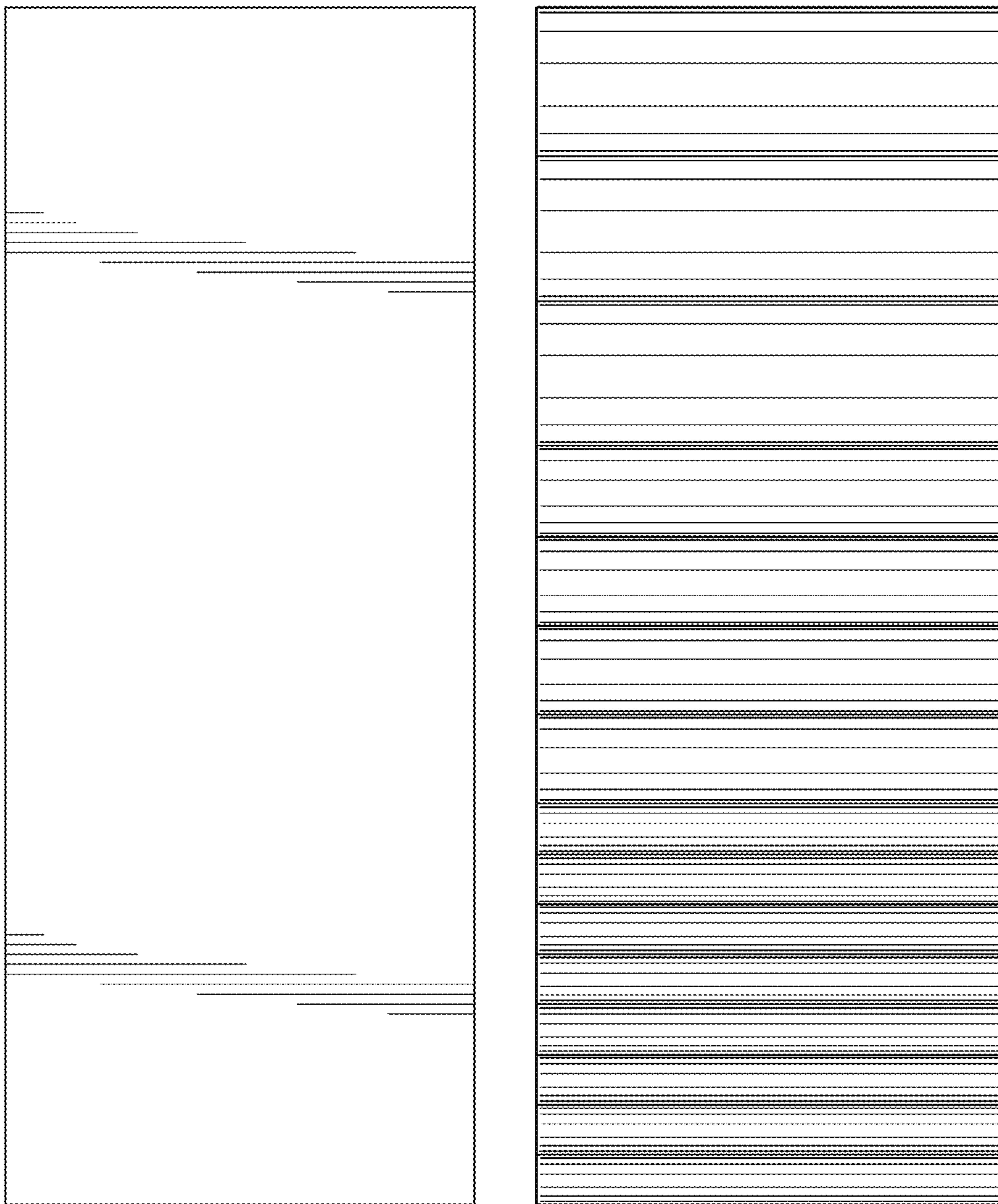


Fig. 11

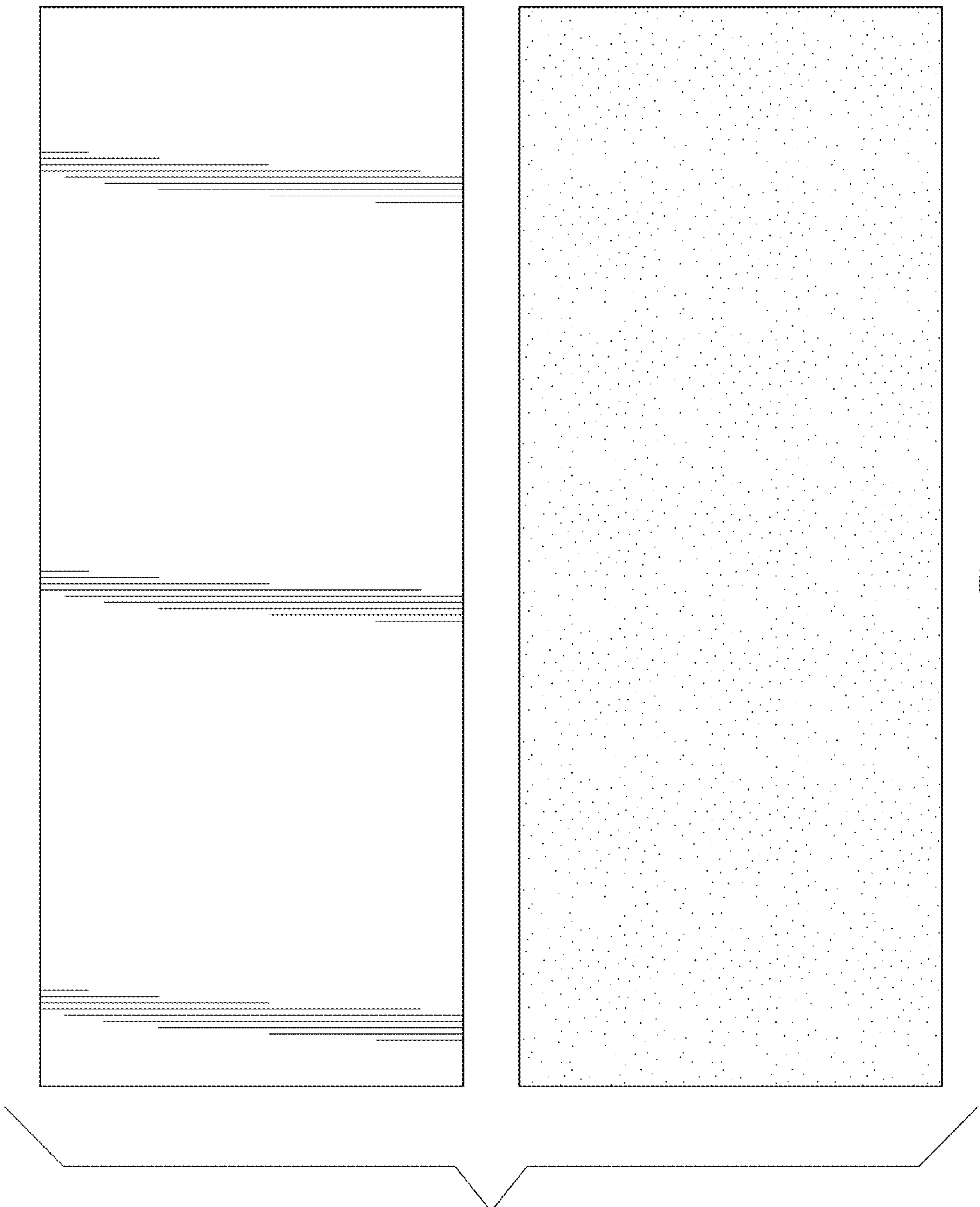


Fig. 12