



US00D677451S

(12) **United States Design Patent**
Amphyon

(10) **Patent No.:** **US D677,451 S**

(45) **Date of Patent:** **** *Mar. 12, 2013**

(54) **OUTSOLE PORTION AND MIDSOLE PORTION OF A FOOTWEAR ARTICLE**

(75) Inventor: **Guillaume Amphyon, Sevrier (FR)**

(73) Assignee: **Salomon S.A.S., Annecy (FR)**

(*) Notice: This patent is subject to a terminal disclaimer.

(**) Term: **14 Years**

(21) Appl. No.: **29/345,190**

(22) Filed: **Oct. 12, 2009**

(51) **LOC (9) Cl.** **02-04**

(52) **U.S. Cl.** **D2/947**

(58) **Field of Classification Search** D2/902,
D2/908, 916, 918, 925, 946, 947, 951-954,
D2/956-962, 977; 36/3 B, 22 R, 24.5, 25 R,
36/28, 32 R, 34 R, 59 C, 103

See application file for complete search history.

(56) **References Cited**

U.S. PATENT DOCUMENTS

5,319,866	A *	6/1994	Foley et al.	36/91
D366,754	S *	2/1996	Valverde	D2/954
D379,259	S *	5/1997	Kayano	D2/953
D386,590	S *	11/1997	Cass	D2/947
D386,591	S *	11/1997	Kuerbis	D2/947
D396,947	S *	8/1998	Serna	D2/959
D397,847	S *	9/1998	Hudson	D2/947
D398,143	S *	9/1998	Meyer	D2/951
D420,786	S *	2/2000	Ramer et al.	D2/952
D453,989	S *	3/2002	Cagner	D2/959
D473,698	S	4/2003	St-Louis	D2/957
D504,204	S *	4/2005	Matis et al.	D2/955
6,920,705	B2 *	7/2005	Lucas et al.	36/25 R
D515,799	S	2/2006	Bertholon	D2/972
D522,231	S *	6/2006	Dojan et al.	D2/977
D522,739	S *	6/2006	Dojan et al.	D2/977
D523,233	S *	6/2006	Dojan et al.	D2/977
D523,614	S *	6/2006	Mitchell	D2/960

D532,599	S *	11/2006	Dojan et al.	D2/977
D532,600	S *	11/2006	Dojan et al.	D2/977
D534,345	S *	1/2007	Dojan et al.	D2/977
D534,346	S *	1/2007	Dojan et al.	D2/977
D547,541	S *	7/2007	Schindler et al.	D2/977
D554,339	S *	11/2007	Reina et al.	D2/960
D554,842	S *	11/2007	Gaenssler et al.	D2/964
D560,060	S *	1/2008	Chan	D2/977
D570,078	S *	6/2008	Davis	D2/953
D574,583	S *	8/2008	St-Louis et al.	D2/956
D574,602	S *	8/2008	Grenet	D2/977
D574,604	S *	8/2008	McMillan	D2/977
7,467,484	B2 *	12/2008	Chang et al.	36/30 R
D586,995	S *	2/2009	Chen	D2/960
D592,847	S *	5/2009	Rosenbaum	D2/957
7,549,236	B2 *	6/2009	Dillon et al.	36/30 R

(Continued)

FOREIGN PATENT DOCUMENTS

EM	000163241	4/2004
EM	000254289	11/2004

(Continued)

Primary Examiner — T. Chase Nelson

(74) *Attorney, Agent, or Firm* — Terence P. O'Brien

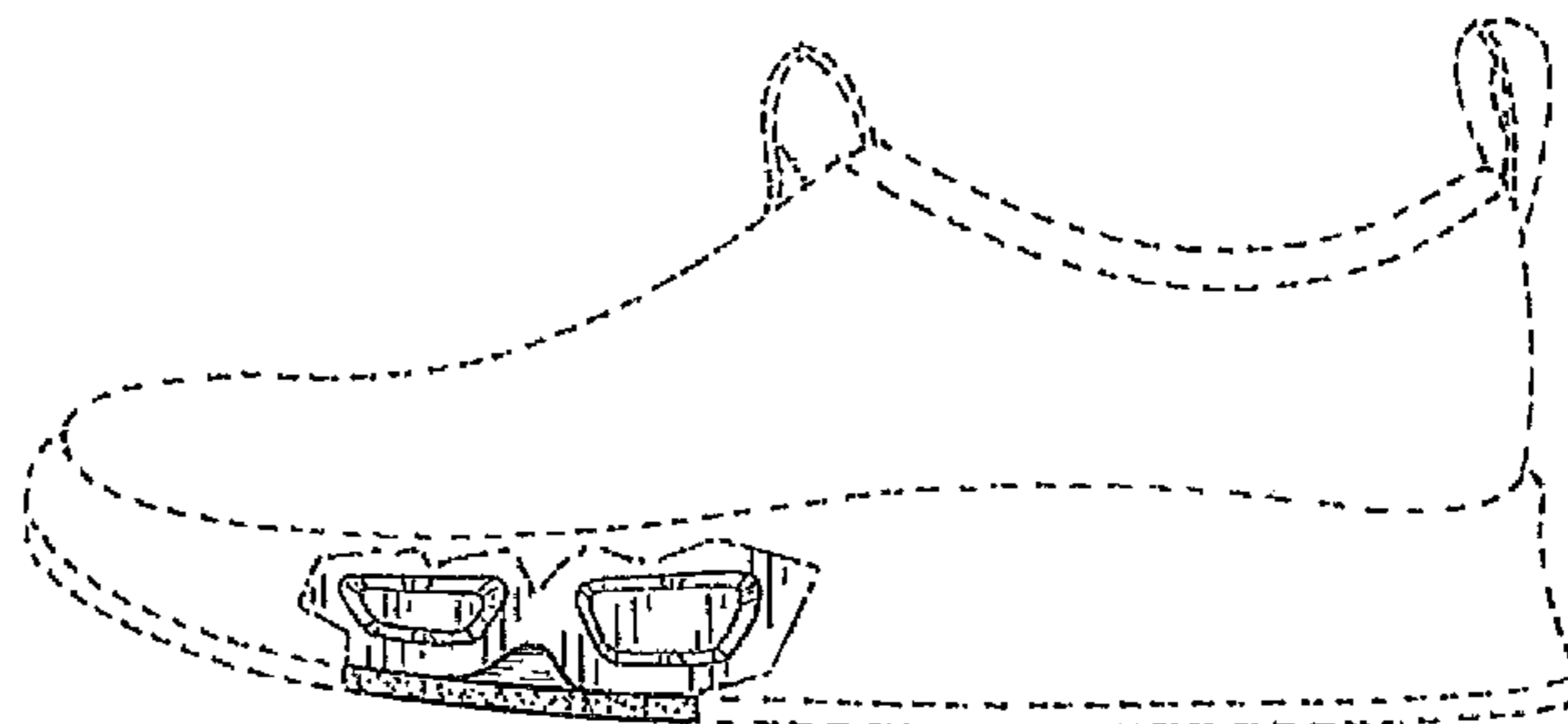
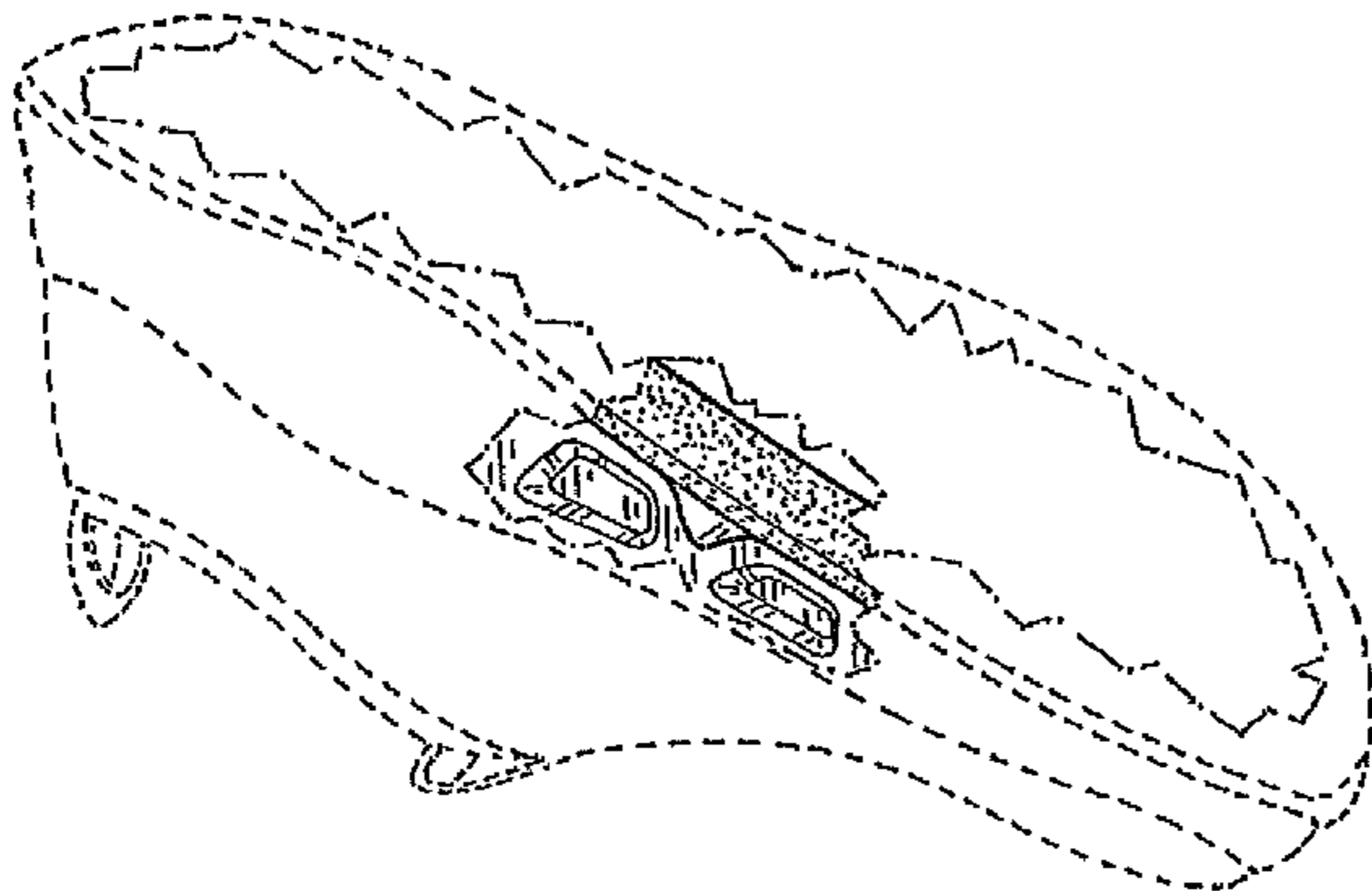
(57) **CLAIM**

I claim the ornamental design for an outsole portion and a midsole portion of a footwear article, as shown and described.

DESCRIPTION

FIG. 1 is a bottom, side perspective view of an outsole portion and a midsole portion of a footwear article; and, FIG. 2 is a side elevation view of the outsole portion and the midsole portion of the footwear article of FIG. 1. The broken (dashed) lines shown in FIGS. 1 and 2 are included for the purpose of illustrating environmental elements only and form no part of the claimed design. The dashed/dotted lines are included to define the bounds of the claimed design but do not form part of the claimed design.

1 Claim, 1 Drawing Sheet



US D677,451 S

Page 2

U.S. PATENT DOCUMENTS

7,556,846 B2 * 7/2009 Dojan et al. 428/35.4
D599,986 S * 9/2009 Reiss D2/947
D601,334 S * 10/2009 Werman D2/959
7,627,961 B2 * 12/2009 Brewer et al. 36/3 B
D607,193 S * 1/2010 Recchi D2/959
D611,689 S * 3/2010 Stubblefield D2/946
7,676,955 B2 * 3/2010 Dojan et al. 36/29
D616,188 S * 5/2010 Chan D2/960
D617,085 S * 6/2010 Recchi et al. D2/957
D624,293 S * 9/2010 Recchi et al. D2/959
7,793,432 B2 * 9/2010 Chan et al. 36/28
D637,380 S * 5/2011 Niedner et al. D2/946

D641,143 S * 7/2011 Niedner et al. D2/946
D642,775 S * 8/2011 Raysse D2/946
D642,776 S * 8/2011 Raysse D2/946
D643,194 S * 8/2011 Raysse D2/951
2007/0119073 A1 * 5/2007 Brewer et al. 36/3 B
2010/0236096 A1 * 9/2010 Pauk et al. 36/28
2011/0067263 A1 * 3/2011 Wyszynski et al. 36/28

FOREIGN PATENT DOCUMENTS

EM 000413034 10/2005
EM 000548789 6/2006
EM 000678586 2/2007

* cited by examiner

FIG. 1

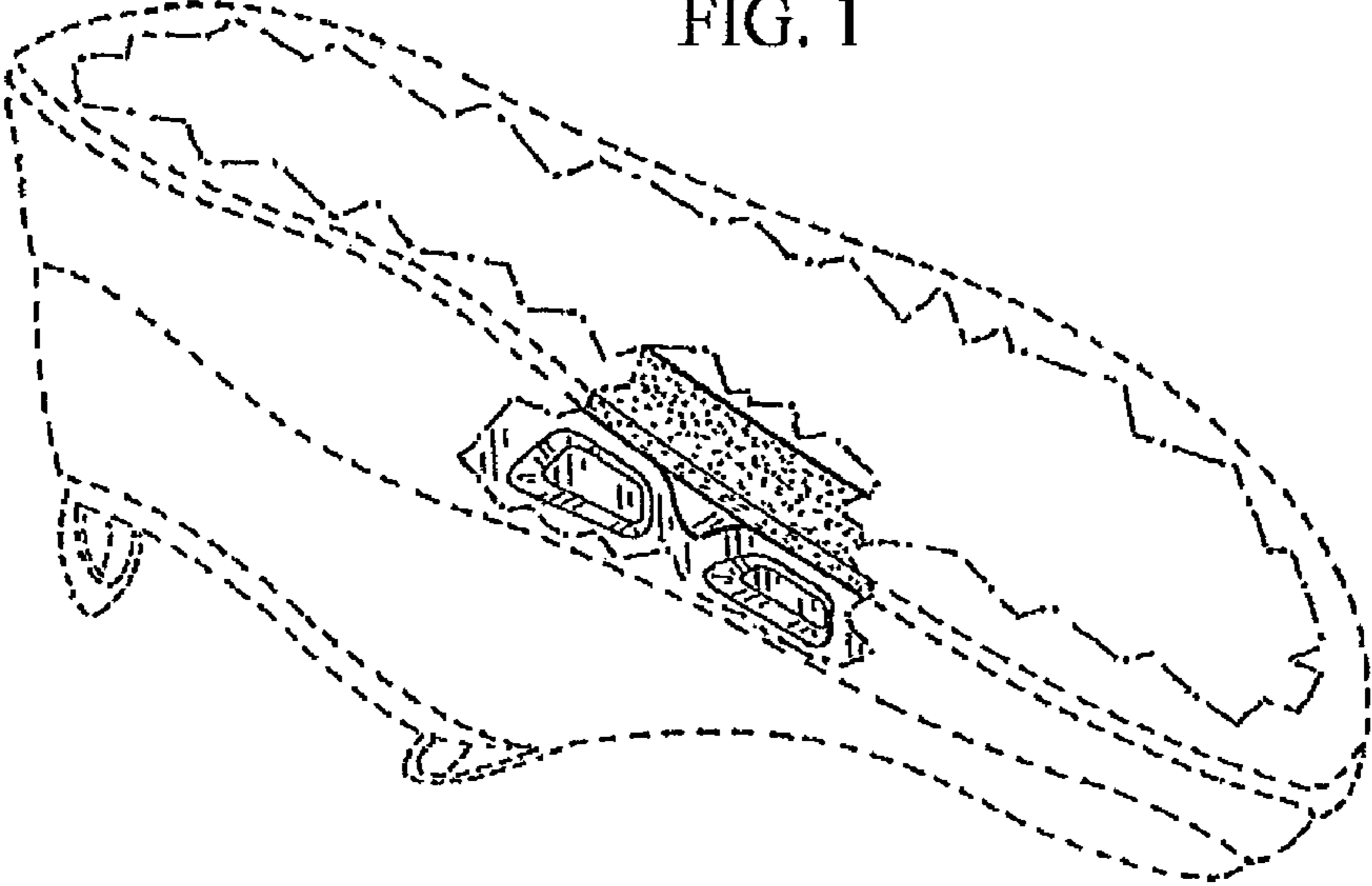


FIG. 2

