



US00D677445S

(12) **United States Design Patent**
Lukic et al.

(10) **Patent No.:** **US D677,445 S**
(45) **Date of Patent:** **** Mar. 5, 2013**

(54) **CONTAINER FOR FOOD WASTE OR OTHER MATERIAL**

(75) Inventors: **Branko Lukic**, Menlo Park, CA (US);
Steven R. Takayama, Atherton, CA (US); **Carolyn Yecies Heller**, Menlo Park, CA (US); **Anne Morrissey**, Menlo Park, CA (US)

(73) Assignee: **Ucan Products, LLC**, Menlo Park, CA (US)

(**) Term: **14 Years**

(21) Appl. No.: **29/414,774**

(22) Filed: **Mar. 2, 2012**

Related U.S. Application Data

(63) Continuation of application No. 13/041,551, filed on Mar. 7, 2011.

(51) **LOC (9) Cl.** **09-09**

(52) **U.S. Cl.** **D34/7**

(58) **Field of Classification Search** D34/1,
D34/5, 6, 7, 8, 9, 10, 11; D32/53; 220/908,
220/908.1, 495.06

See application file for complete search history.

(56) **References Cited**

U.S. PATENT DOCUMENTS

D256,089	S	*	7/1980	Adamson	D34/8
D296,142	S	*	6/1988	Adamson	D34/7
D300,973	S	*	5/1989	Copeland	D34/7
D318,549	S	*	7/1991	Delmerico	D34/7
5,152,420	A	*	10/1992	Bird et al.	220/600

D641,117	S	*	7/2011	Rampton et al.	D34/1
D641,119	S	*	7/2011	Rampton et al.	D34/1
D644,389	S	*	8/2011	Roberts et al.	D34/7
D661,447	S	*	6/2012	Kluck	D34/1

* cited by examiner

Primary Examiner — Cynthia Ramirez

(74) *Attorney, Agent, or Firm* — Hickman Palermo Truong Becker Bingham Wong LLP

(57) **CLAIM**

The ornamental design for a container for food waste of other material, as shown and described.

DESCRIPTION

FIG. 1 is a perspective view of an ornamental design for a container for food waste or other material.

FIG. 2 is first end elevation view of an ornamental design for the container of FIG. 1.

FIG. 3 is a side elevation view of an ornamental design for the container of FIG. 1.

FIG. 4 is a second end elevation view of an ornamental design for the container of FIG. 1.

FIG. 5 is a top plan view of an ornamental design for the container of FIG. 1 with a lid closed.

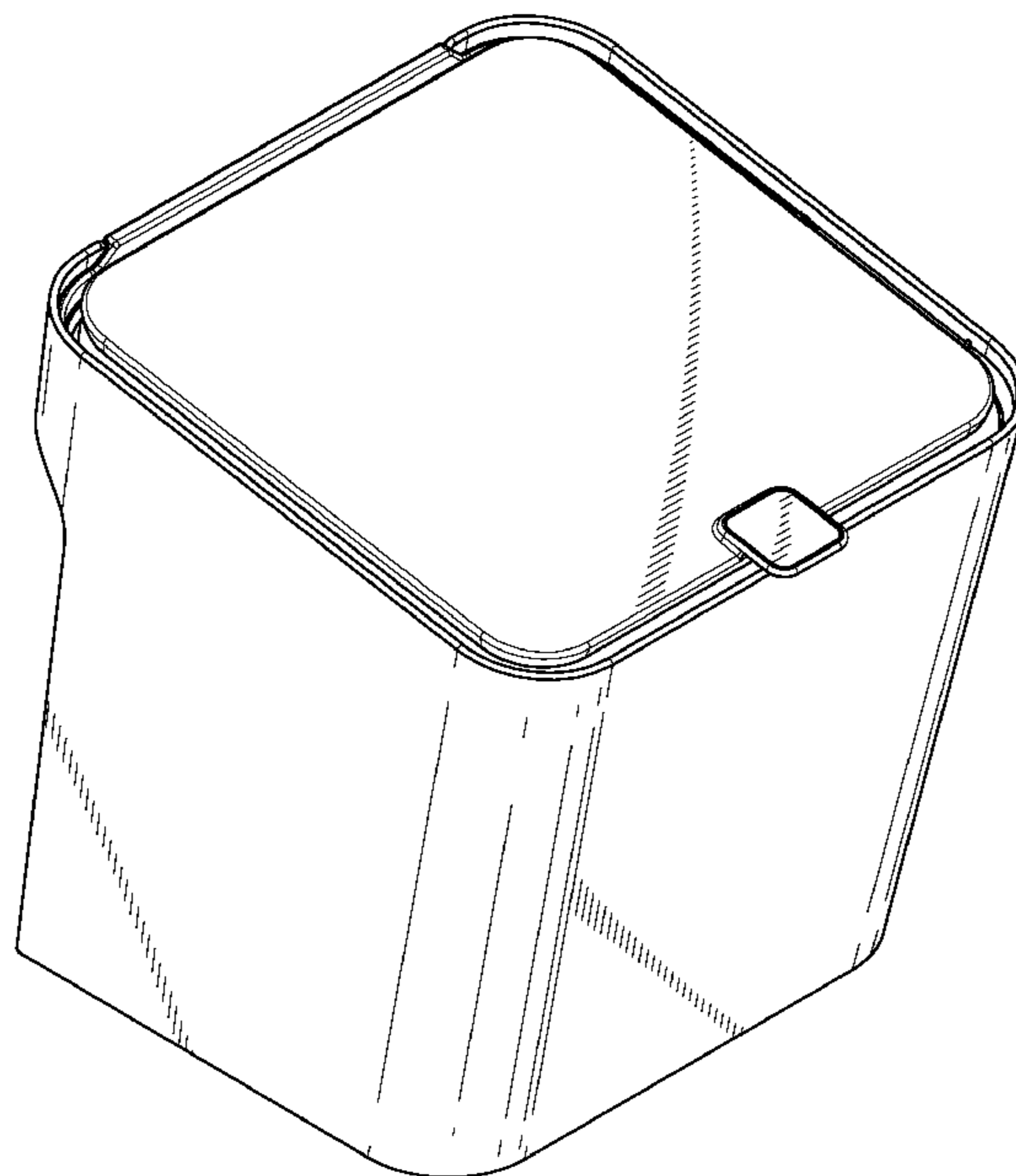
FIG. 6 is a perspective view of an ornamental design for the container of FIG. 1 with a handle partly raised.

FIG. 7 is a perspective view of an ornamental design for the container of FIG. 1 with a handle fully raised.

FIG. 8 is a perspective view of an ornamental design for the container of FIG. 1 with a lid open; and,

FIG. 9 is a top plan view of an ornamental design for the container of FIG. 1 without a lid.

1 Claim, 9 Drawing Sheets



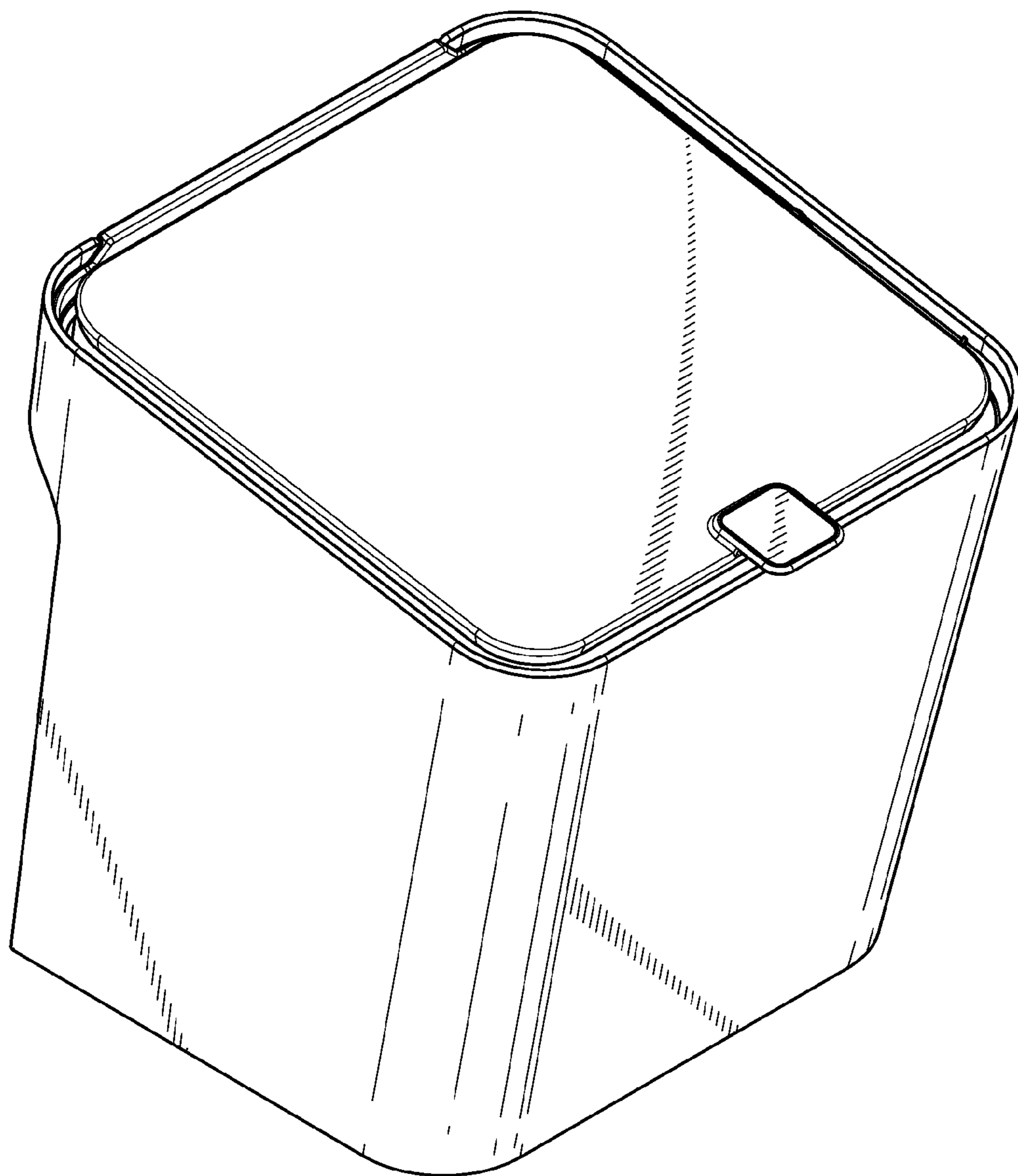


FIG. 1

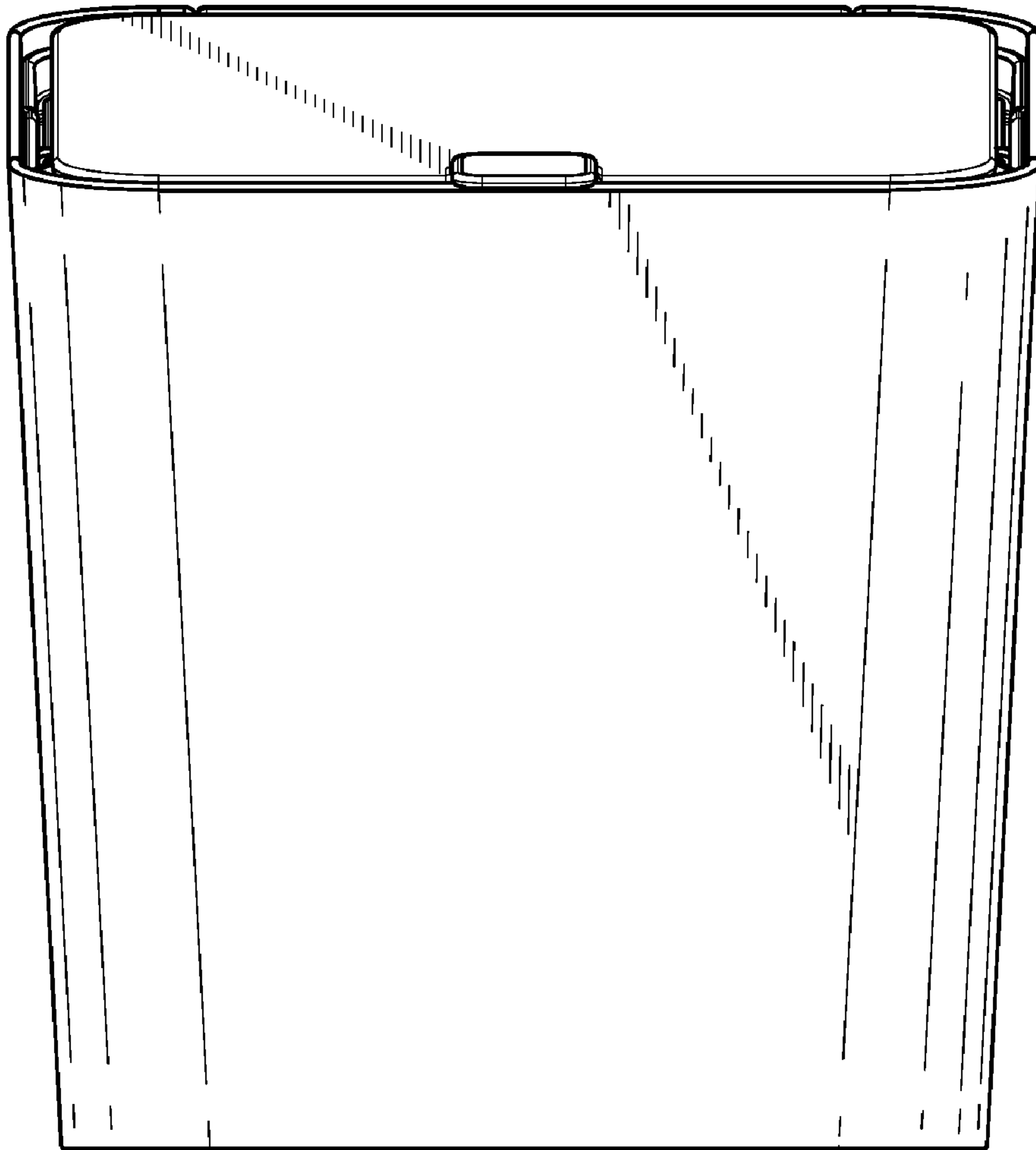


FIG. 2

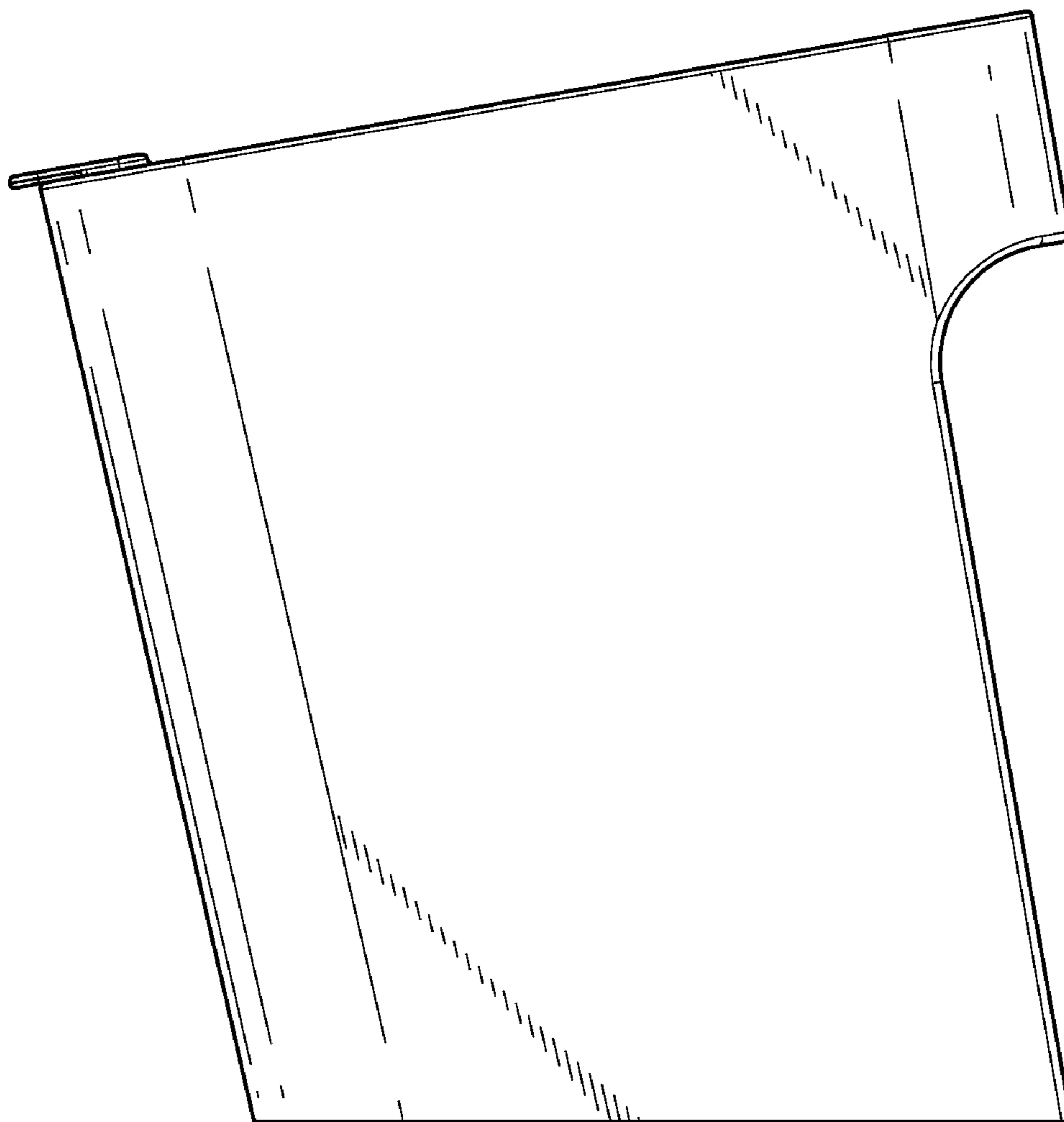


FIG. 3

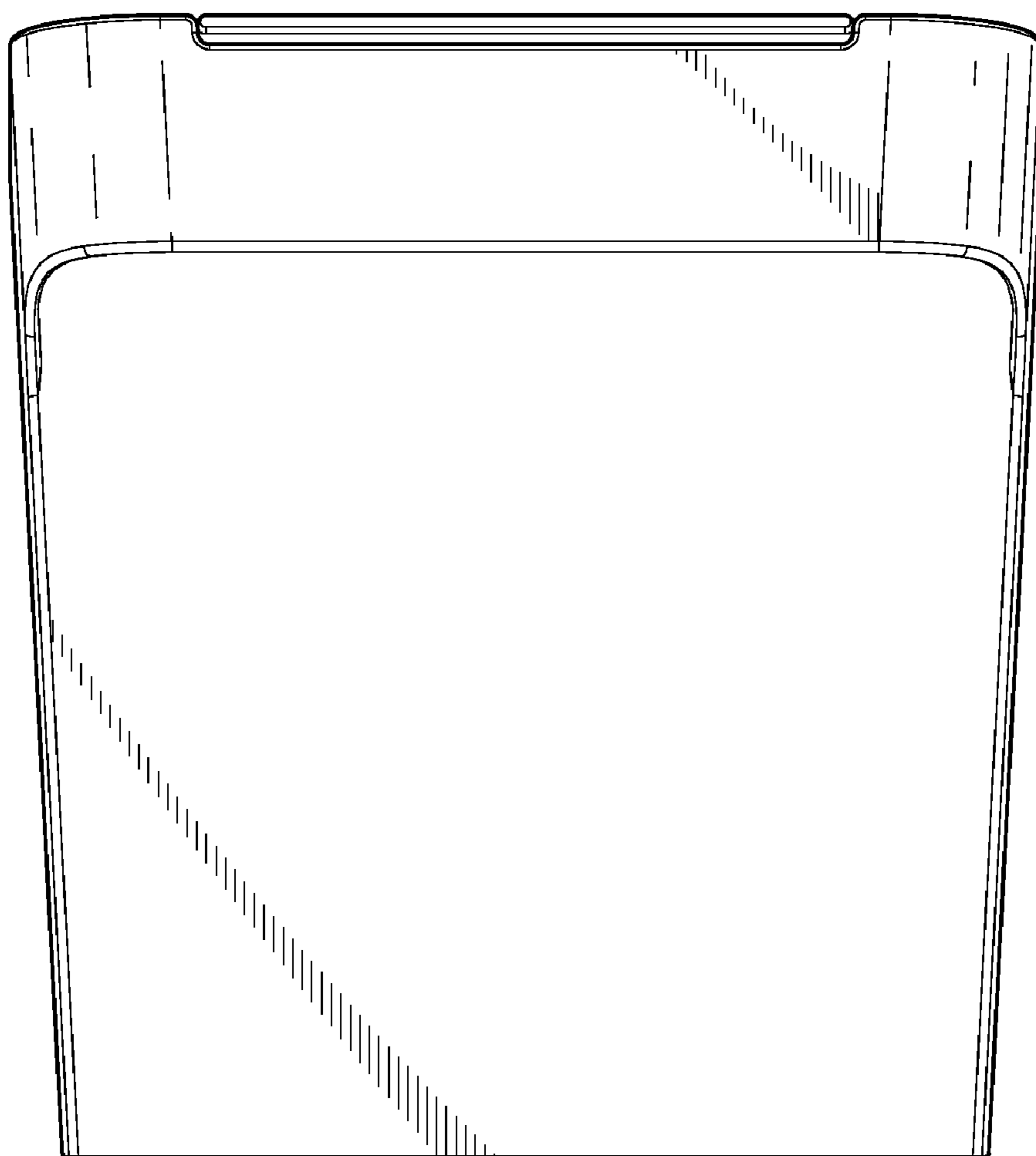


FIG. 4

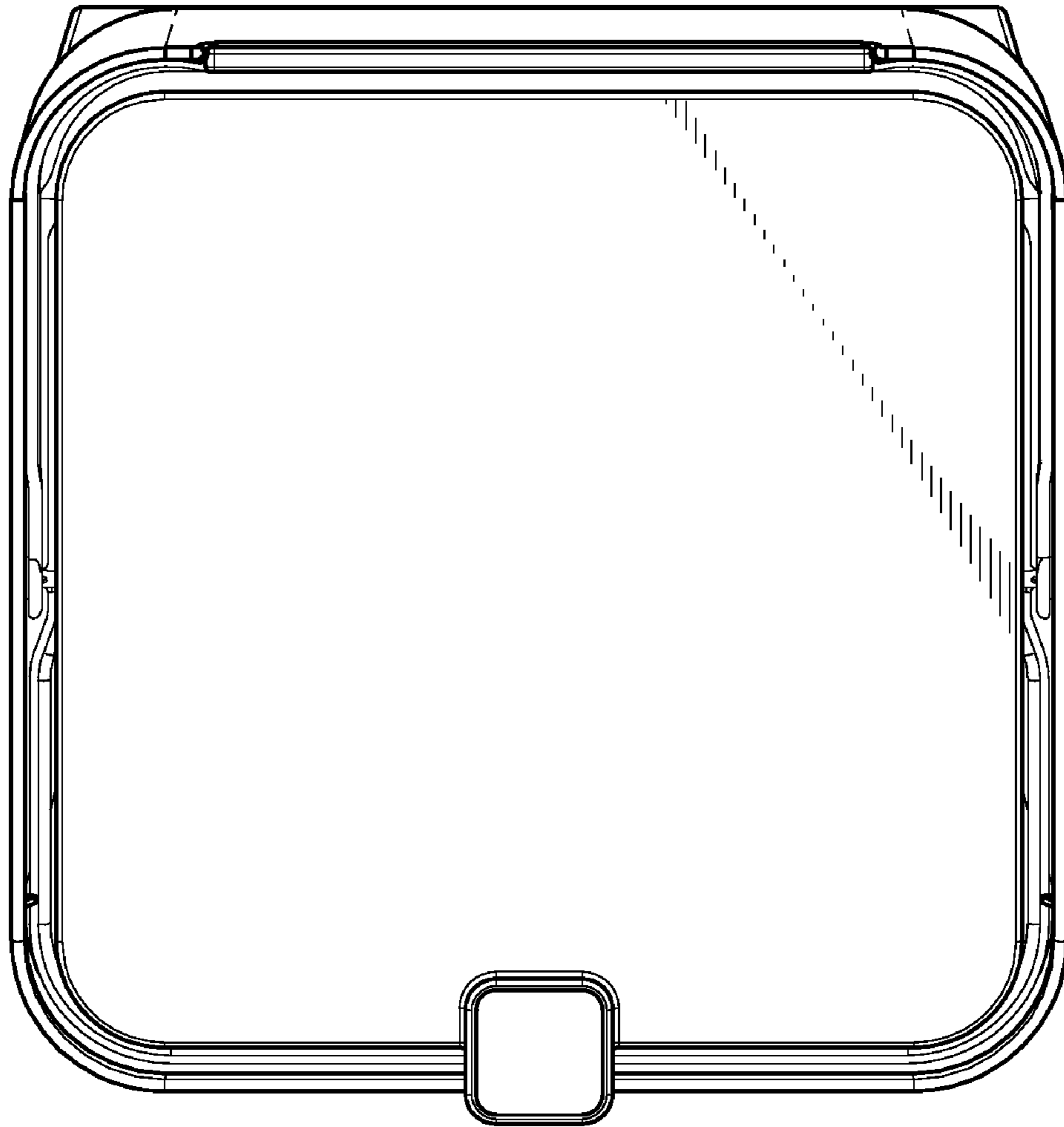


FIG. 5

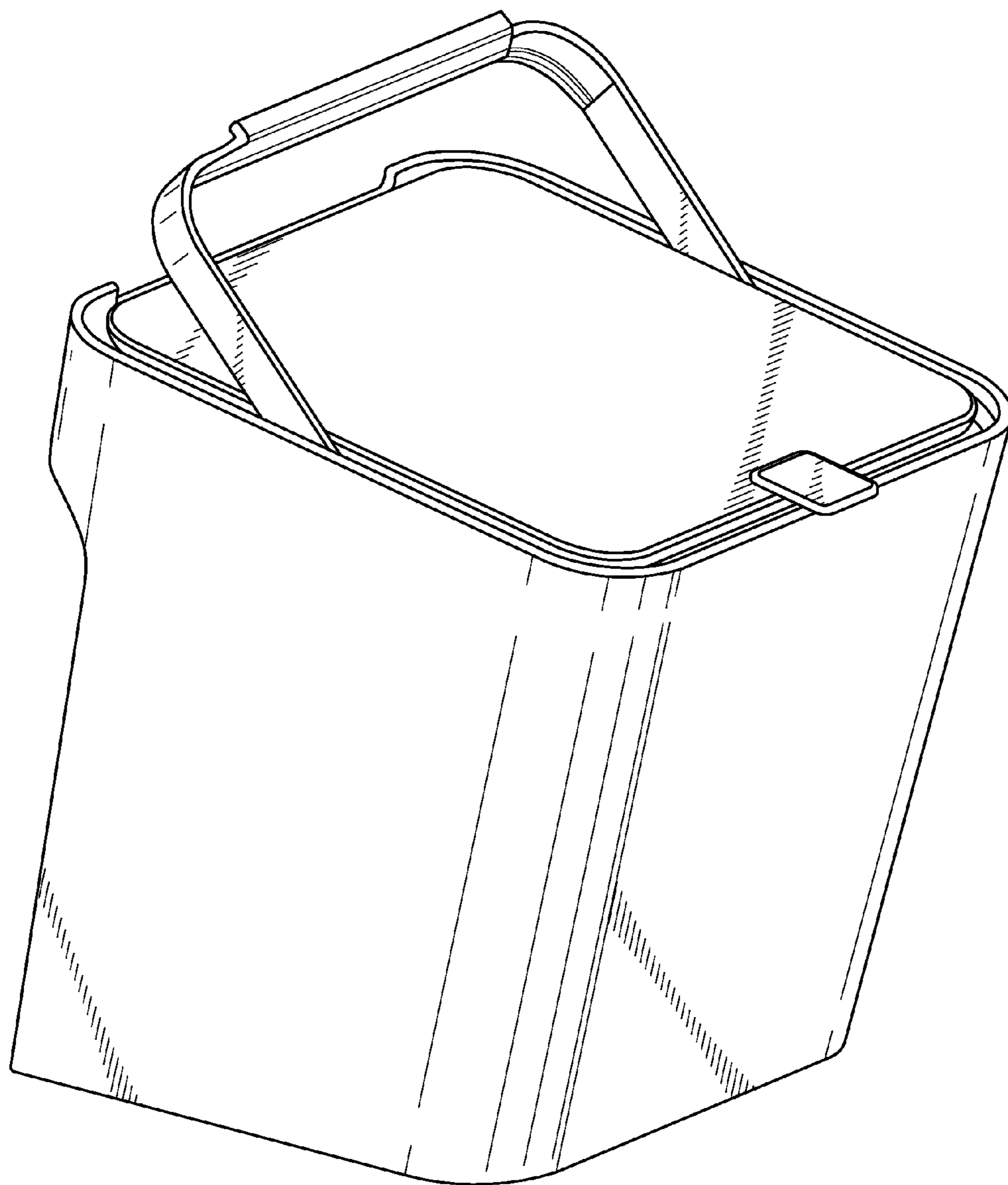


FIG. 6

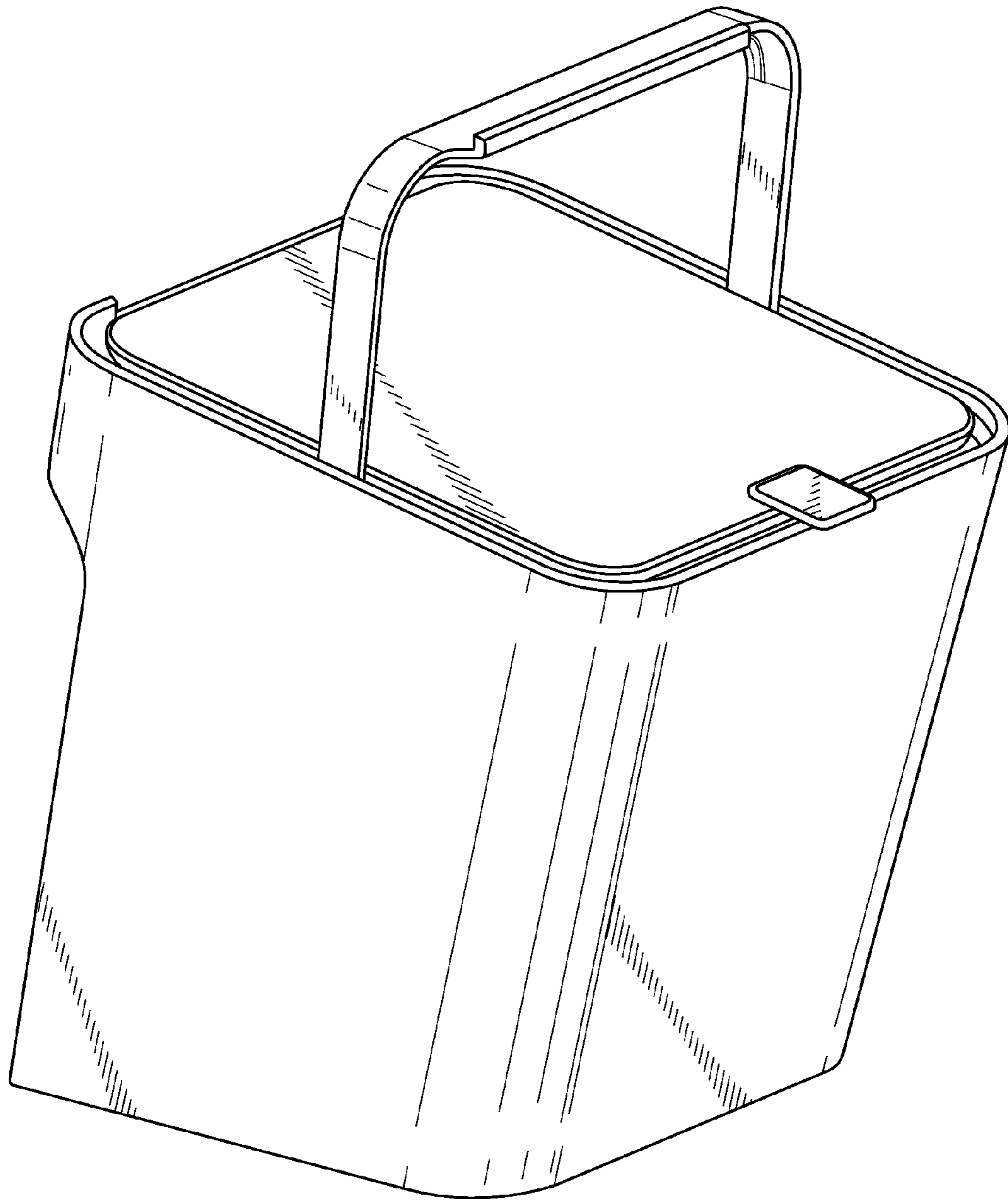


FIG. 7

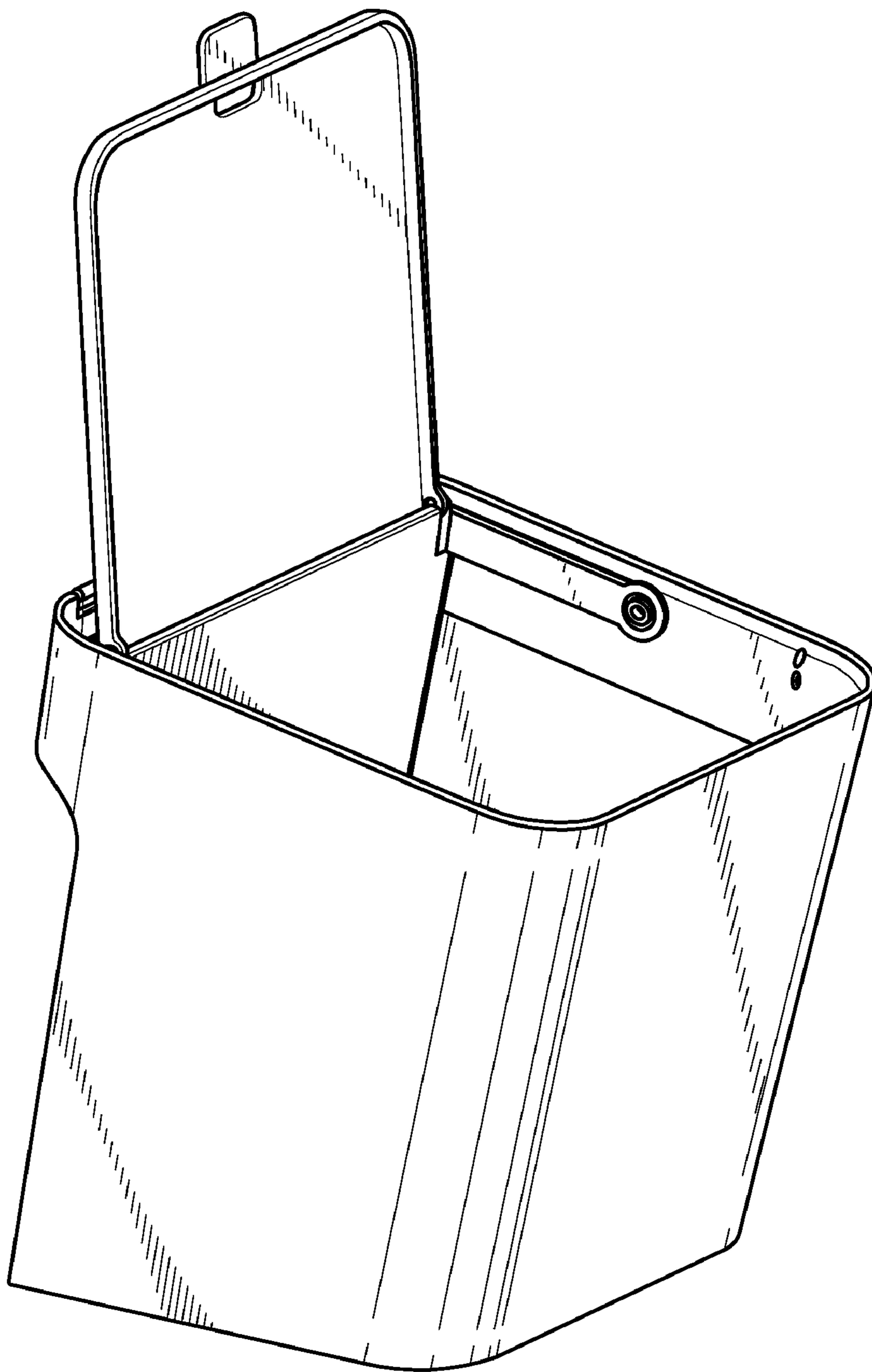


FIG. 8

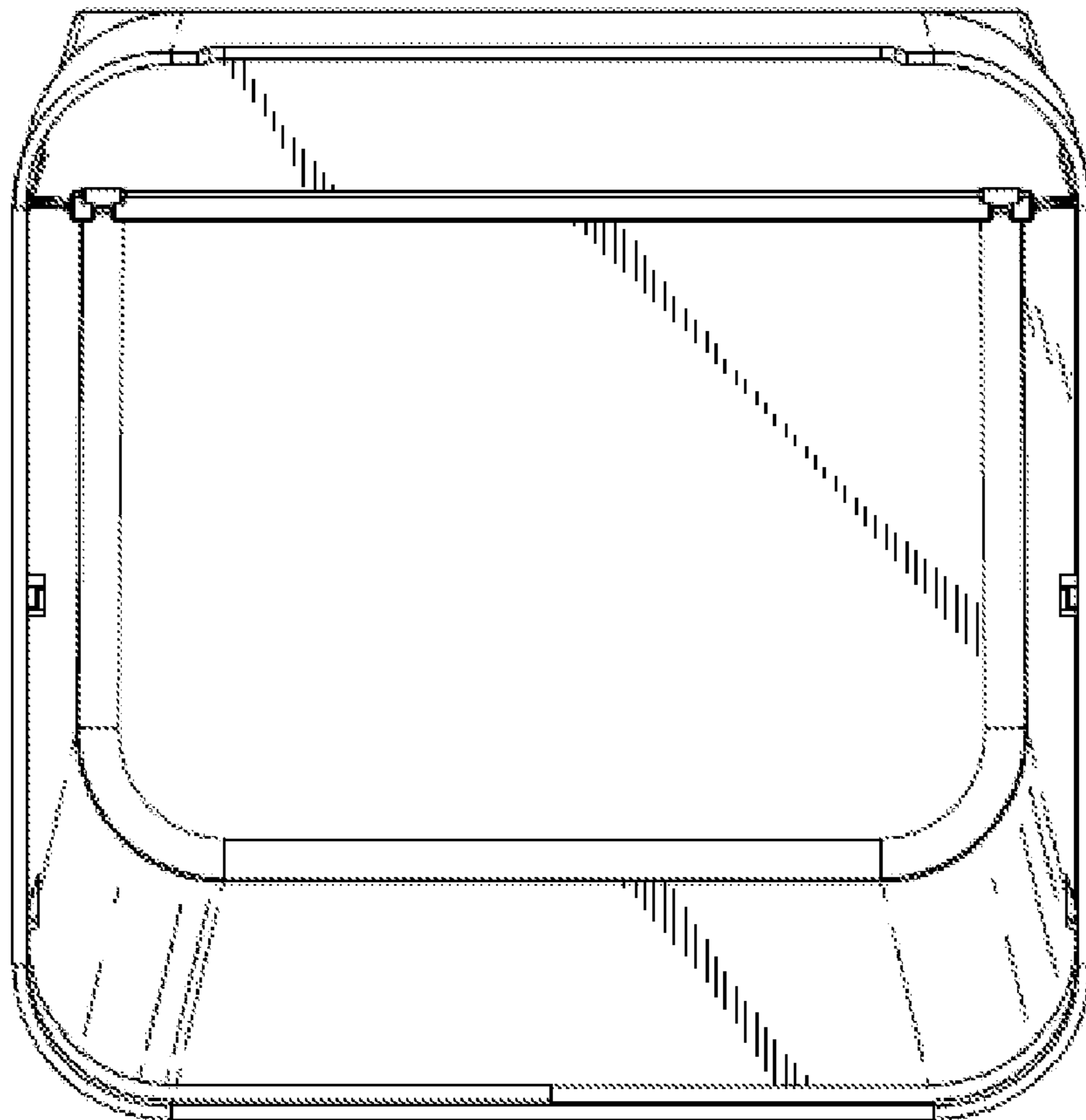


FIG. 9